



US00D512788S

(12) **United States Design Patent** (10) **Patent No.:** **US D512,788 S**
Komiya et al. (45) **Date of Patent:** **** Dec. 13, 2005**

(54) **HALOGEN BULB**

FOREIGN PATENT DOCUMENTS

(75) Inventors: **Akitoshi Komiya**, Tokyo (JP);
Kazuyoshi Okamura, Tokyo (JP);
Makoto Sakai, Yokosuka (JP); **Makoto Bessho**, Yokosuka (JP)

JP	749919	6/1985
JP	999757	3/1996
JP	10-040879	2/1998
JP	1173470	5/2003

(73) Assignees: **Toshiba Lighting & Technology Corporation**, Tokyo (JP);
Osram-Melco Toshiba Lighting Ltd., Kanagawa (JP)

OTHER PUBLICATIONS
 Mar. 6, 2001 Exhibition product catalog of Mitsubishi/Osram, p. 8.

(**) Term: **14 Years**

* cited by examiner

(21) Appl. No.: **29/214,399**

Primary Examiner—Marcus A. Jackson
 (74) *Attorney, Agent, or Firm*—J.C. Patents

(22) Filed: **Sep. 30, 2004**

(57) **CLAIM**

(30) **Foreign Application Priority Data**

The ornamental design for a halogen bulb, as shown and described.

Jun. 7, 2004 (JP) 2004-016857

(51) **LOC (6) Cl.** **26-04**

(52) **U.S. Cl.** **D26/2**

(58) **Field of Search** D26/1-4; 313/313, 313/315, 317, 318, 491, 493, 567; 315/56, 57, 58, 73

DESCRIPTION

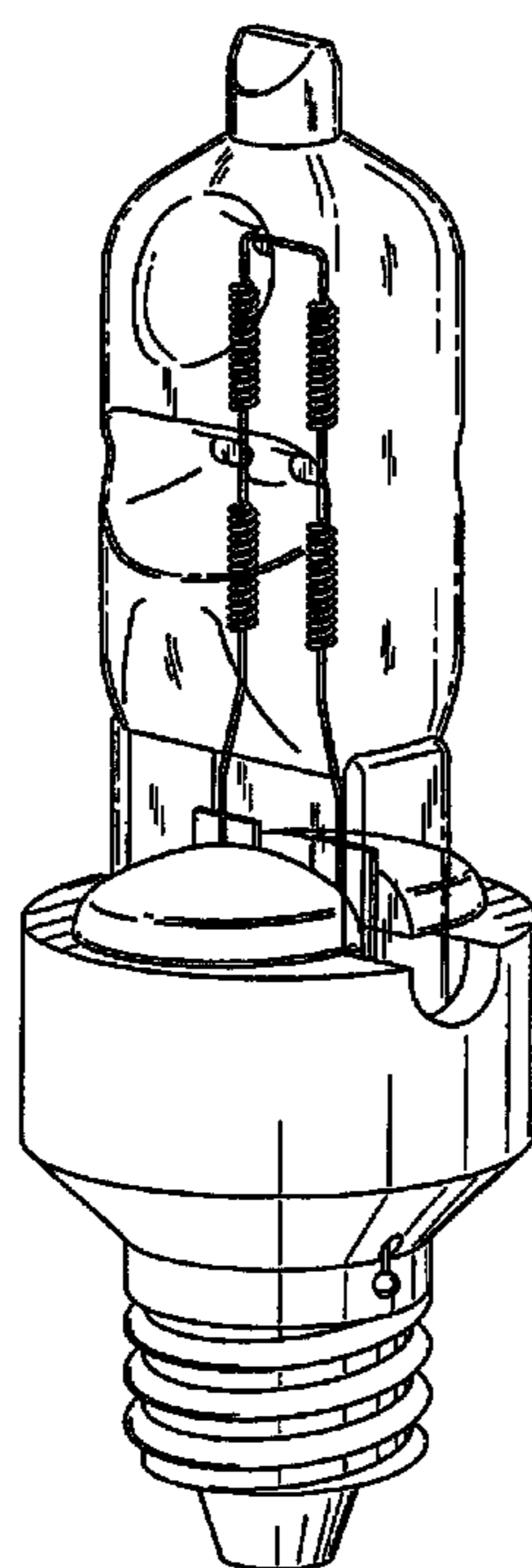
(56) **References Cited**

U.S. PATENT DOCUMENTS

D395,716 S	*	6/1998	Murata	D26/2
D456,090 S	*	4/2002	Benensohn	D26/2
D456,913 S	*	5/2002	Liu	D26/2
D464,445 S	*	10/2002	Honda et al.	D26/2
D482,142 S	*	11/2003	Honda et al.	D26/2
D487,939 S	*	3/2004	Smith	D26/2
D498,008 S	*	11/2004	Benensohn	D26/2

FIG. 1 is a perspective view of a halogen bulb showing the new design.
 FIG. 2 is a front view thereof.
 FIG. 3 is a rear view thereof.
 FIG. 4 is a left side view thereof.
 FIG. 5 is a right side view thereof.
 FIG. 6 is a top view thereof.
 FIG. 7 is a bottom view thereof.
 FIG. 8 is an end elevational view in section taken along line 8—8 in FIG. 2; and,
 FIG. 9 is an end elevational view in section taken along line 9—9 in FIG. 2.

1 Claim, 9 Drawing Sheets



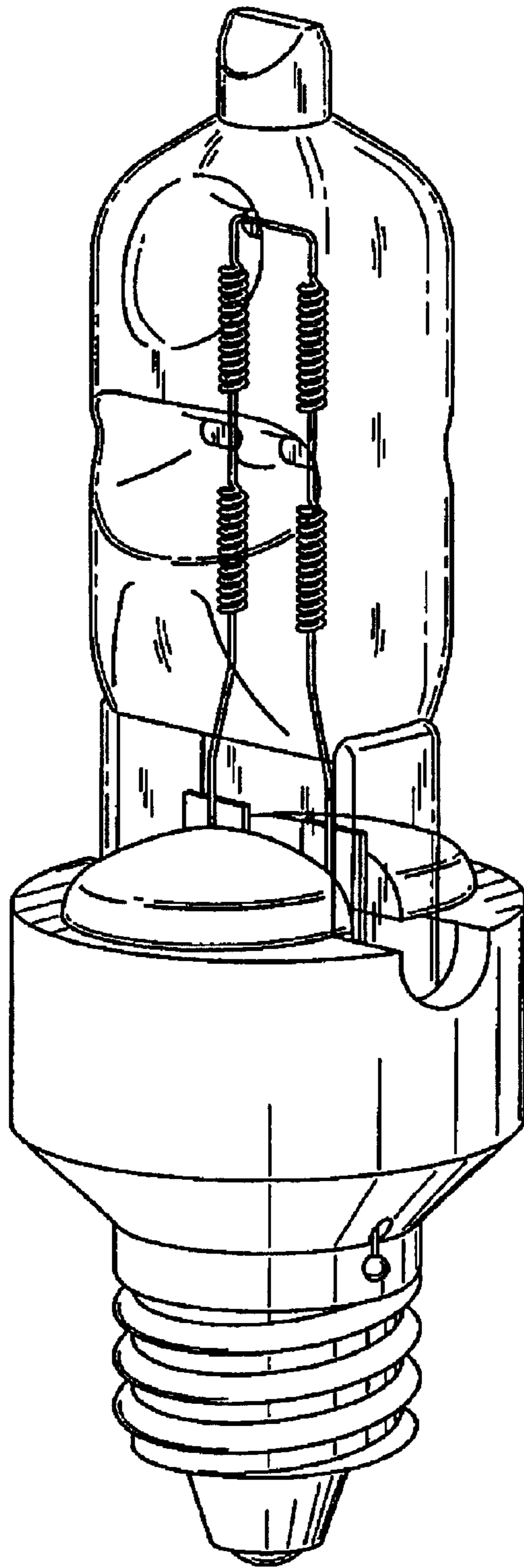
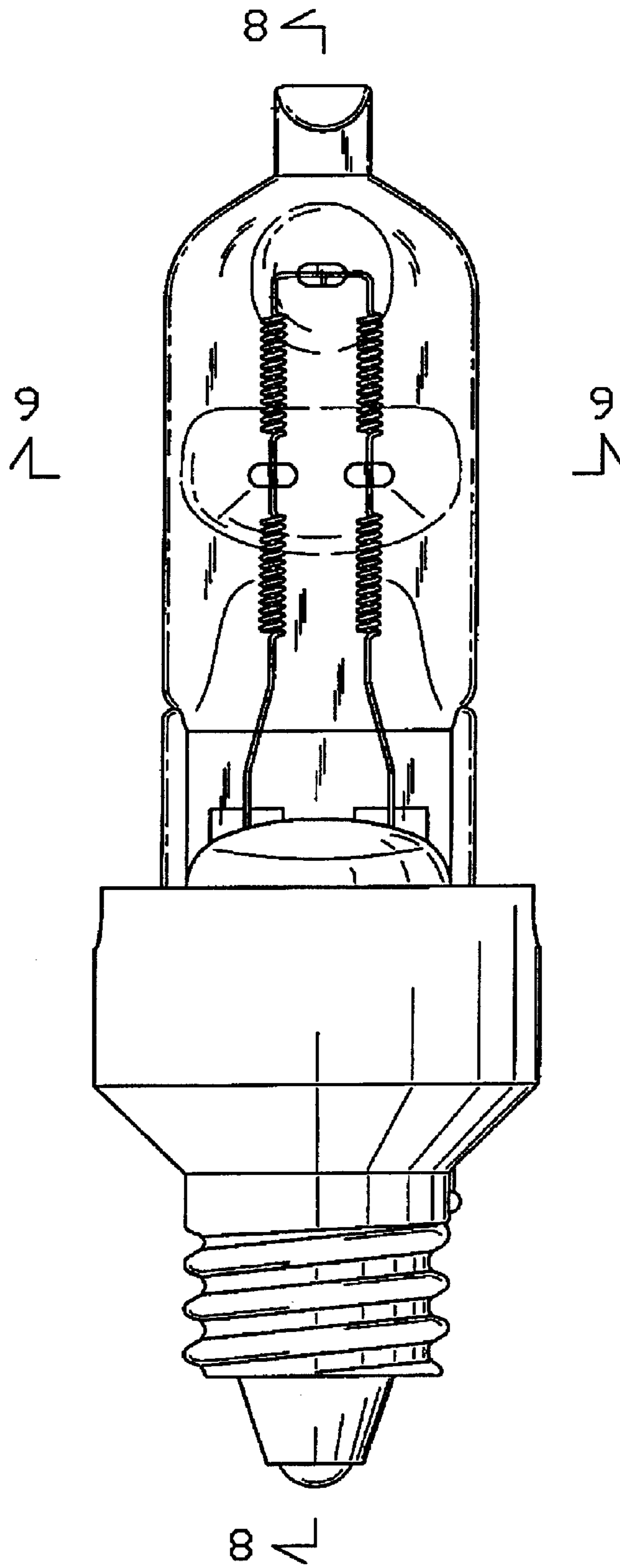


FIG. 1



8
8
FIG. 2

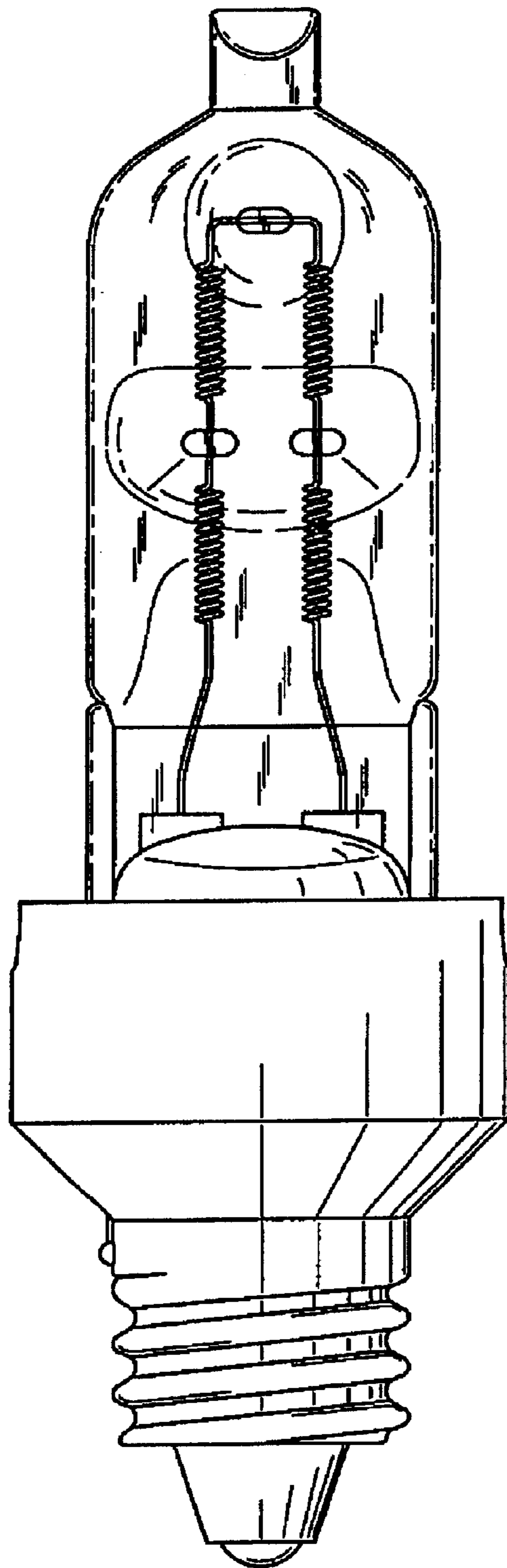


FIG. 3

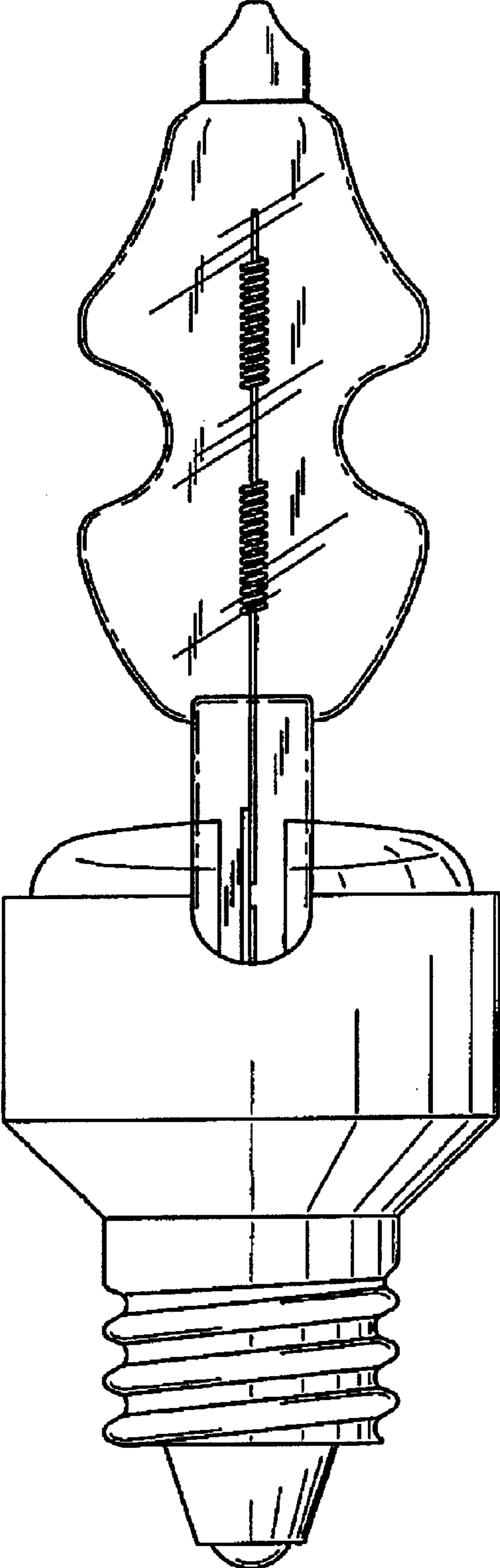


FIG. 4

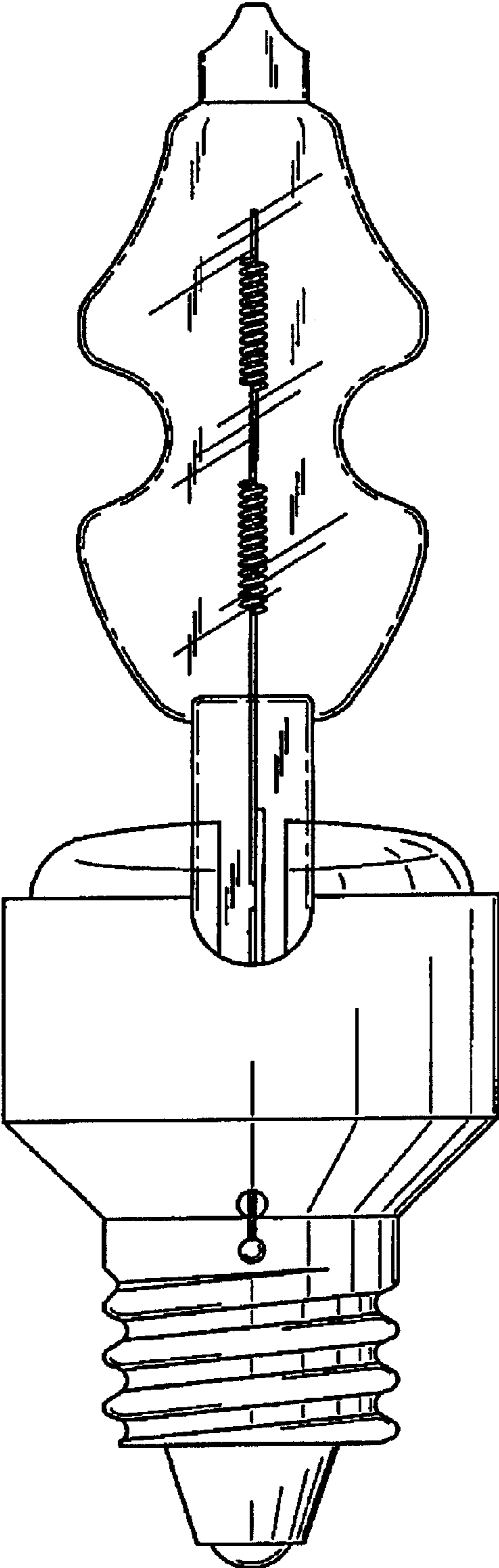


FIG. 5

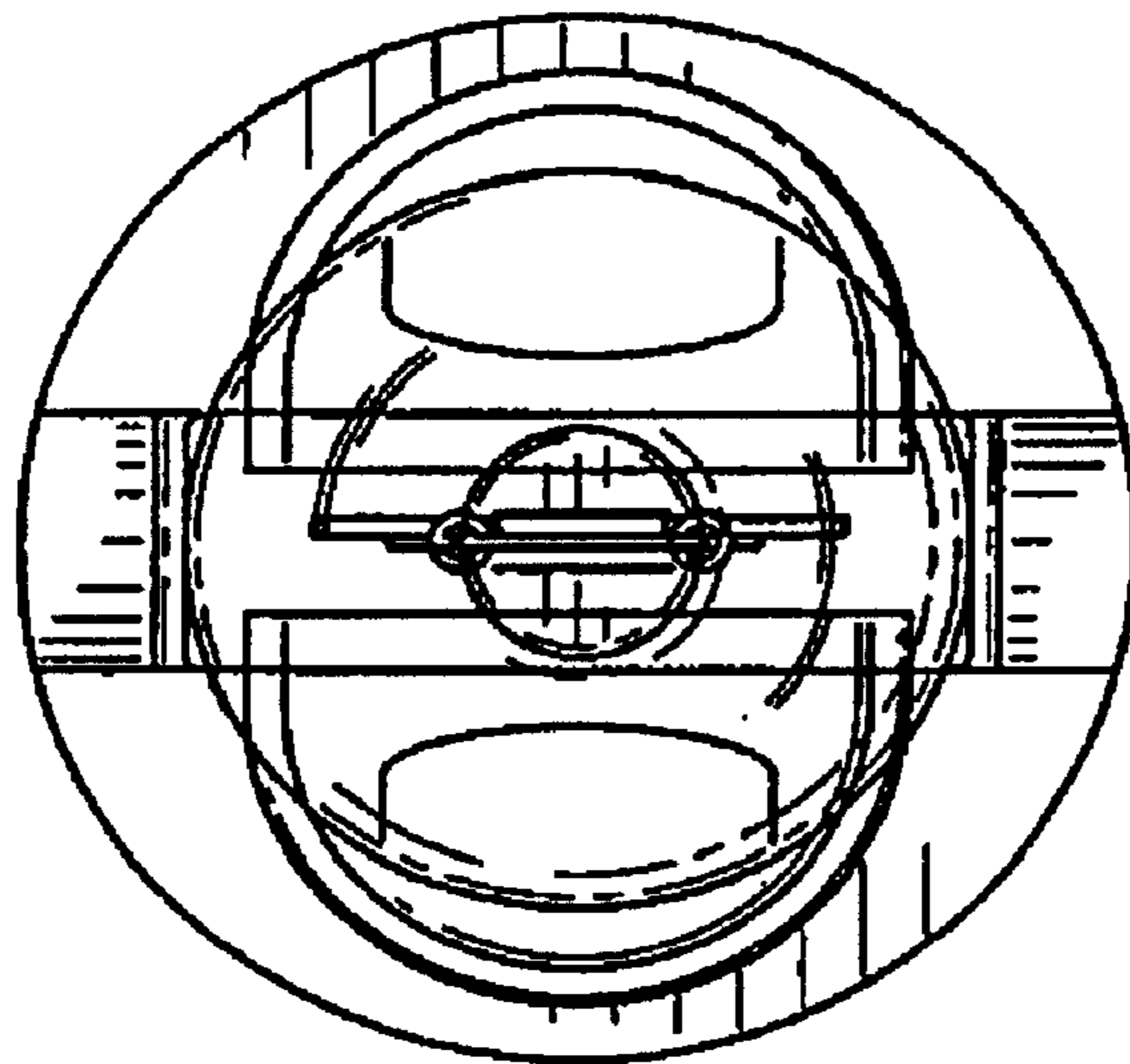


FIG. 6

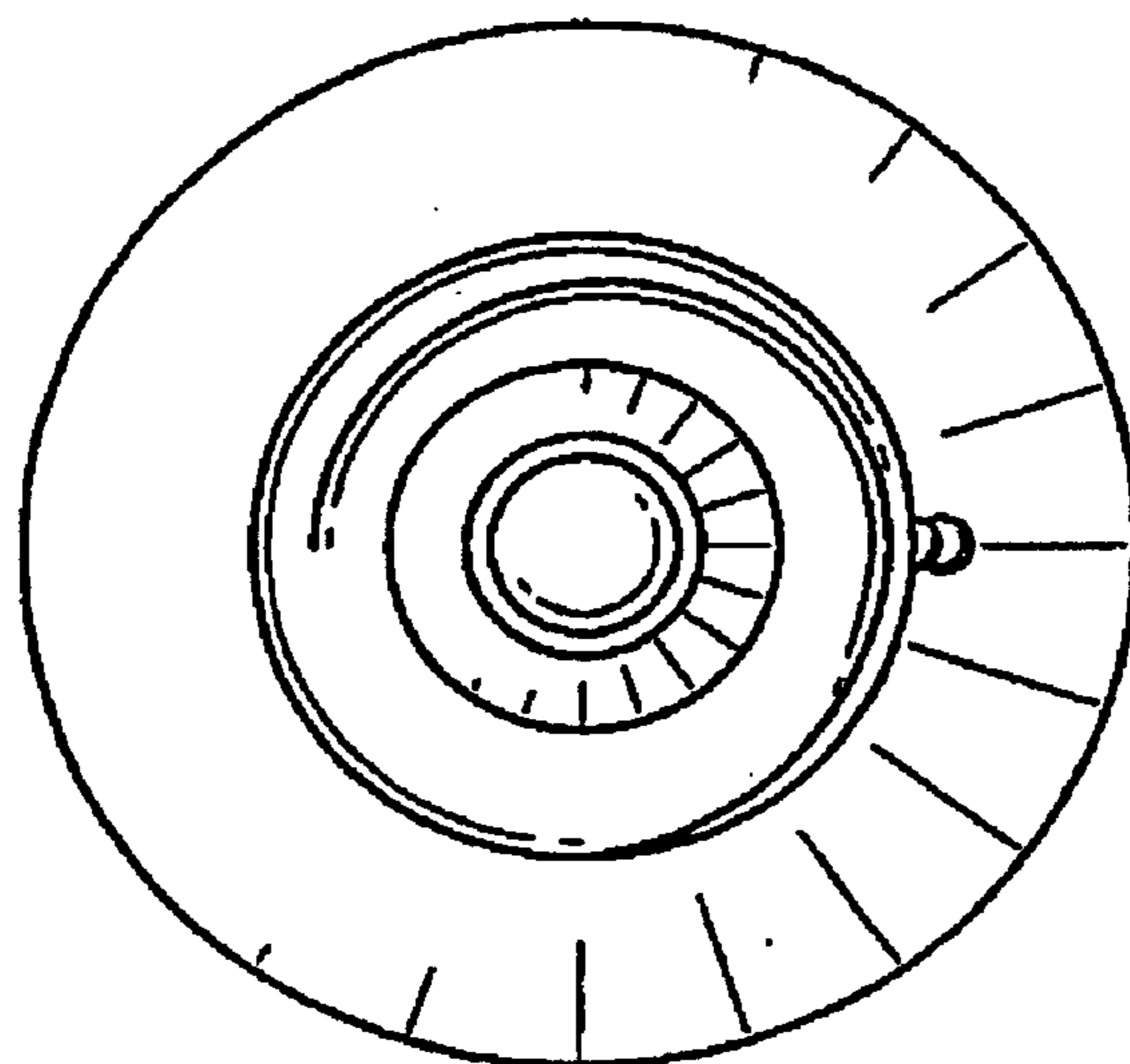


FIG. 7

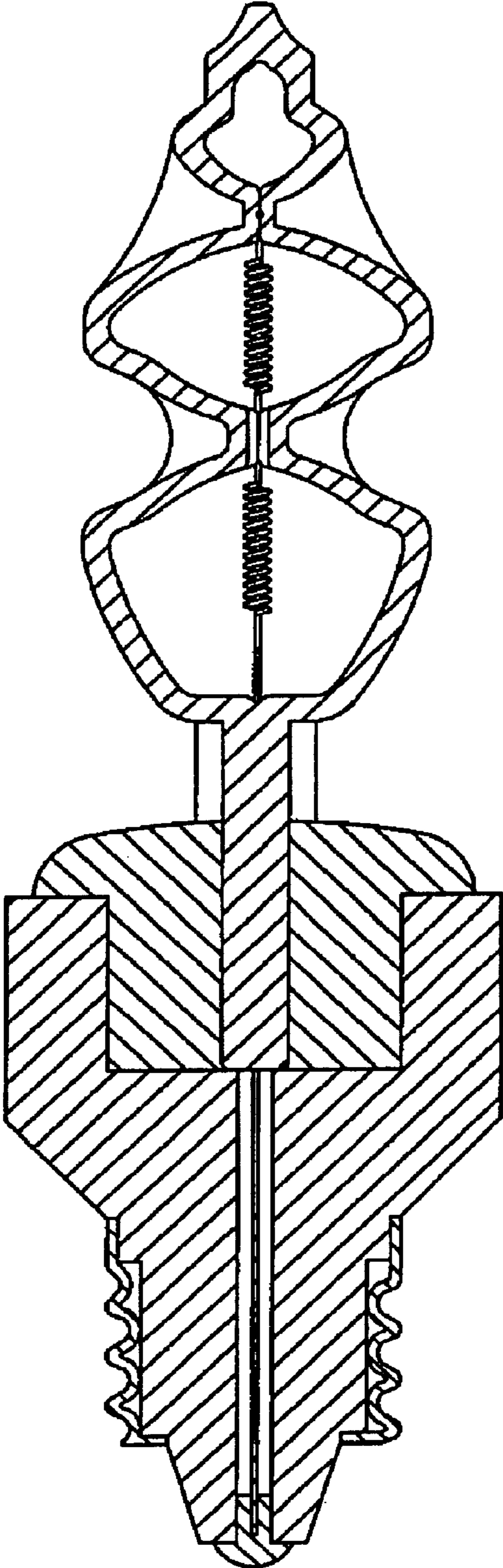


FIG. 8

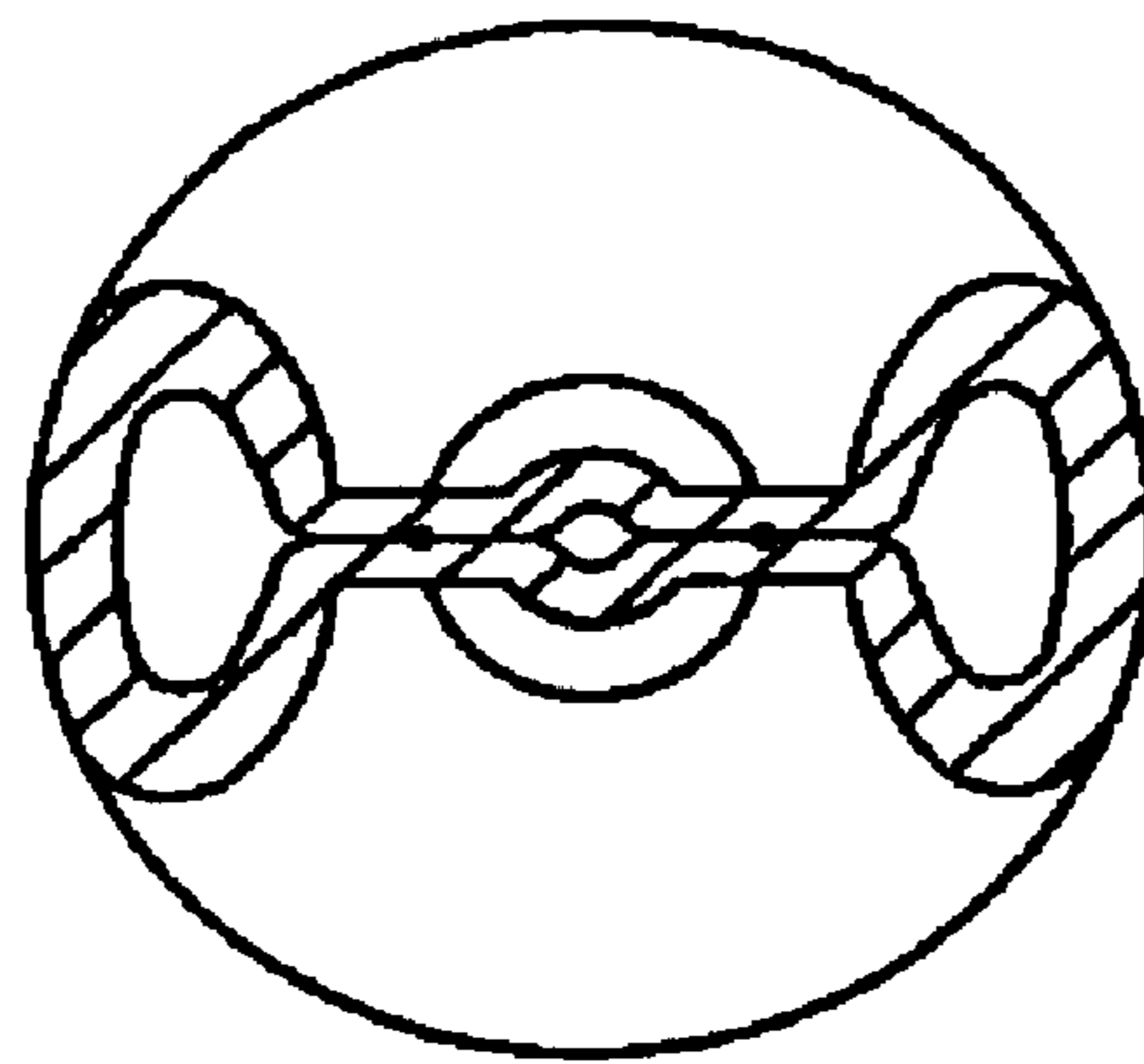


FIG. 9