



US00D512787S

(12) **United States Design Patent**  
**Lonneman**

(10) **Patent No.:** **US D512,787 S**  
(45) **Date of Patent:** **\*\* Dec. 13, 2005**

(54) **CURVED CEILING PANEL**

(75) Inventor: **Deborah Marie Lonneman**, Lombard, IL (US)

(73) Assignee: **USG Interiors, Inc.**, Chicago, IL (US)

(\*\*) Term: **14 Years**

(21) Appl. No.: **29/212,961**

(22) Filed: **Sep. 10, 2004**

(51) **LOC (6) Cl.** ..... **25-01**

(52) **U.S. Cl.** ..... **D25/138**

(58) **Field of Search** ..... D25/138, 163,  
D25/152, 58, 150, 157, 153; 52/434, 764,  
507, 506.06, 506.04

(56) **References Cited**

**U.S. PATENT DOCUMENTS**

4,083,153	A	4/1978	Sumpter	
D270,094	S	* 8/1983	Thual	..... D25/154
4,471,596	A	9/1984	Deaton et al.	
4,833,839	A	5/1989	Kurose	
4,932,170	A	6/1990	Spear	
5,384,998	A	1/1995	Tanaka et al.	
5,413,300	A	5/1995	Hosteing	
D365,160	S	* 12/1995	Tinen	..... D25/138
D399,063	S	* 10/1998	Verbeek et al.	..... D6/332
6,047,512	A	4/2000	Wendt et al.	
6,374,564	B1	4/2002	Fletterick et al.	
6,672,025	B1	1/2004	Yuan et al.	
2002/0053176	A1	5/2002	Colson et al.	
2002/0152704	A1	10/2002	Thompson et al.	
2003/0019179	A1	1/2003	Colson et al.	
2003/0205016	A1	11/2003	Gulbrandsen et al.	

\* cited by examiner

*Primary Examiner*—Doris Clark

(74) *Attorney, Agent, or Firm*—Michael M. Geoffrey;  
David F. Janci

(57) **CLAIM**

The ornamental design for a curved ceiling panel, as shown and described.

**DESCRIPTION**

FIG. 1 is a perspective view of a ceiling panel;  
 FIG. 2 is an inverted concave view of the ceiling panel of FIG. 1;  
 FIG. 3 is a top plan view of the ceiling panel of FIG. 1;  
 FIG. 4 is left side view of the ceiling panel of FIG. 1;  
 FIG. 5 is a front view of the ceiling panel of FIG. 1;  
 FIG. 6 shows a perspective view of the curved ceiling panel of FIG. 1 in concave position in a ceiling system, which is illustrated in broken lines for illustrative purposes only, and forms no part of the claimed design;  
 FIG. 7 shows a perspective view of the curved ceiling panel of FIG. 1 in convexed position in a ceiling system, which is illustrated in broken lines for illustrative purposes only, and forms no part of the claimed design;  
 FIG. 8 shows a perspective view of the curved ceiling panel of FIG. 1 in concave position in a ceiling system, which is illustrated in broken lines for illustrative purposes only, and forms no part of the claimed design;  
 FIG. 9 shows a perspective view of the curved ceiling panel of FIG. 1 in convexed position in a ceiling system, which is illustrated in broken lines for illustrative purposes only, and forms no part of the claimed design;  
 FIG. 10 shows a perspective view of the curved ceiling panel of FIG. 1 in convexed position in a ceiling system, which is illustrated in broken lines for illustrative purposes only, and forms no part of the claimed design; and,  
 FIG. 11 shows a perspective view of the curved ceiling panel of FIG. 1 in convexed position in a ceiling system, which is illustrated in broken lines for illustrative purposes only, and forms no part of the claimed design.

**1 Claim, 8 Drawing Sheets**

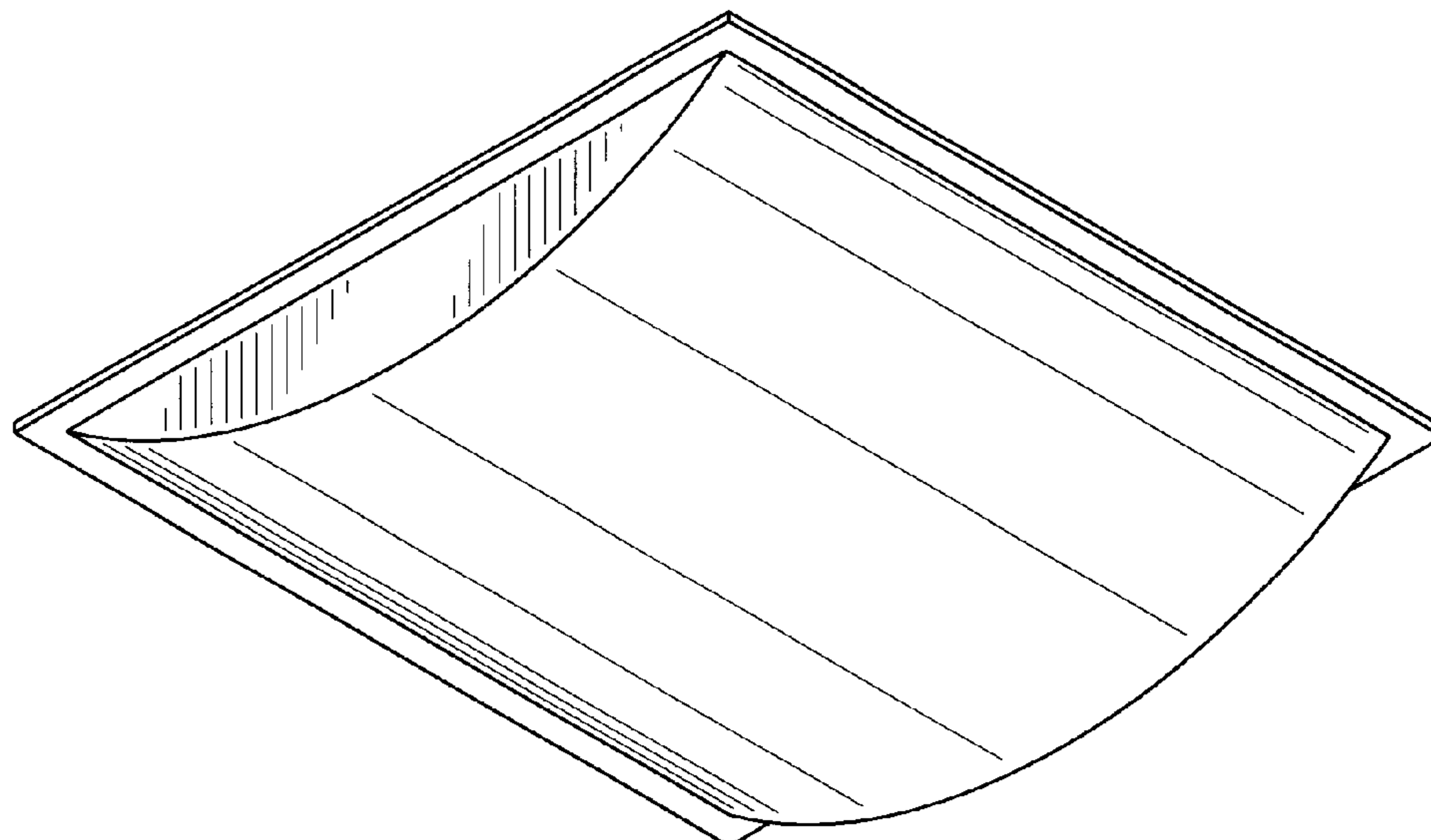


FIG. 1

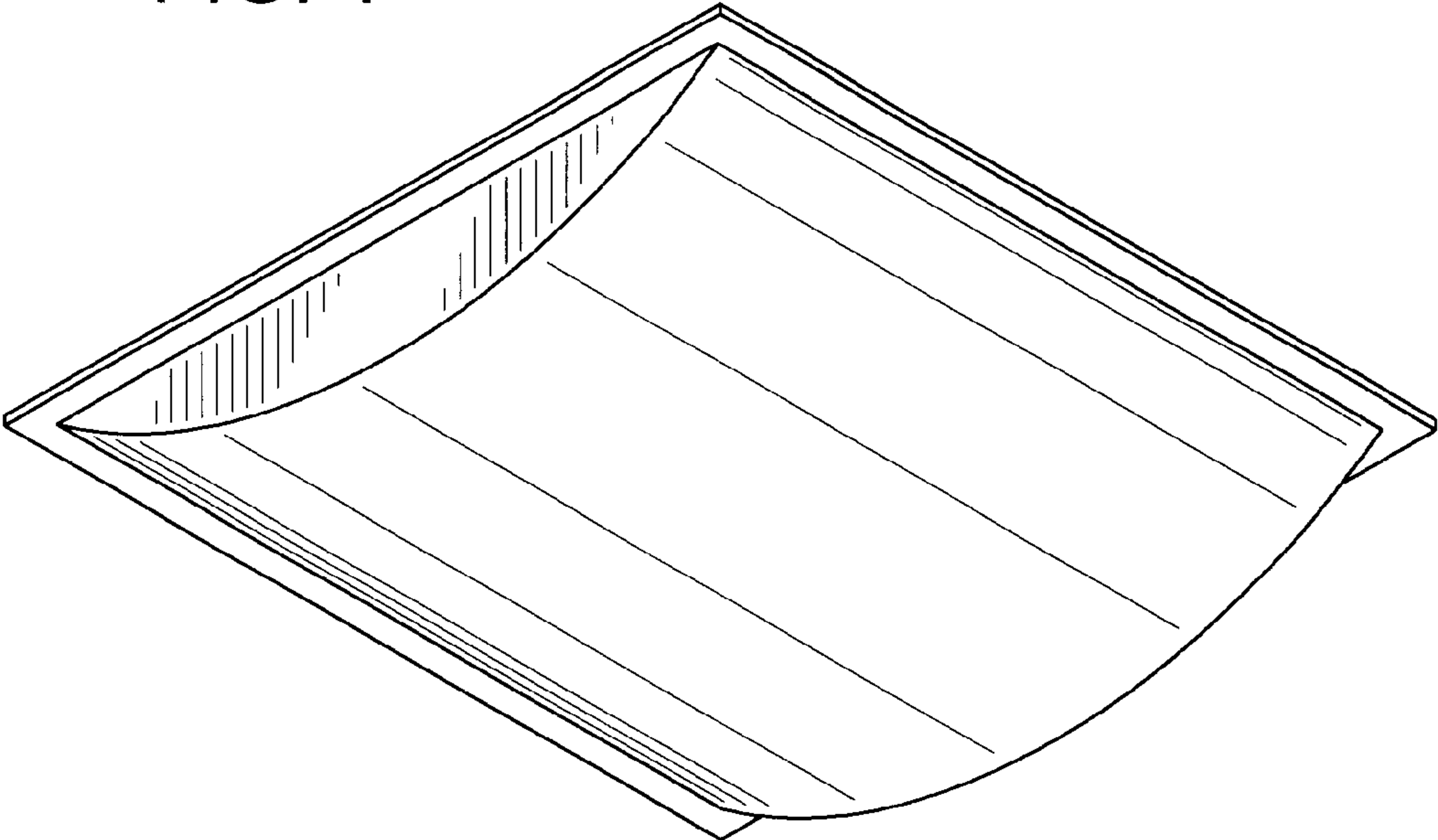


FIG. 2

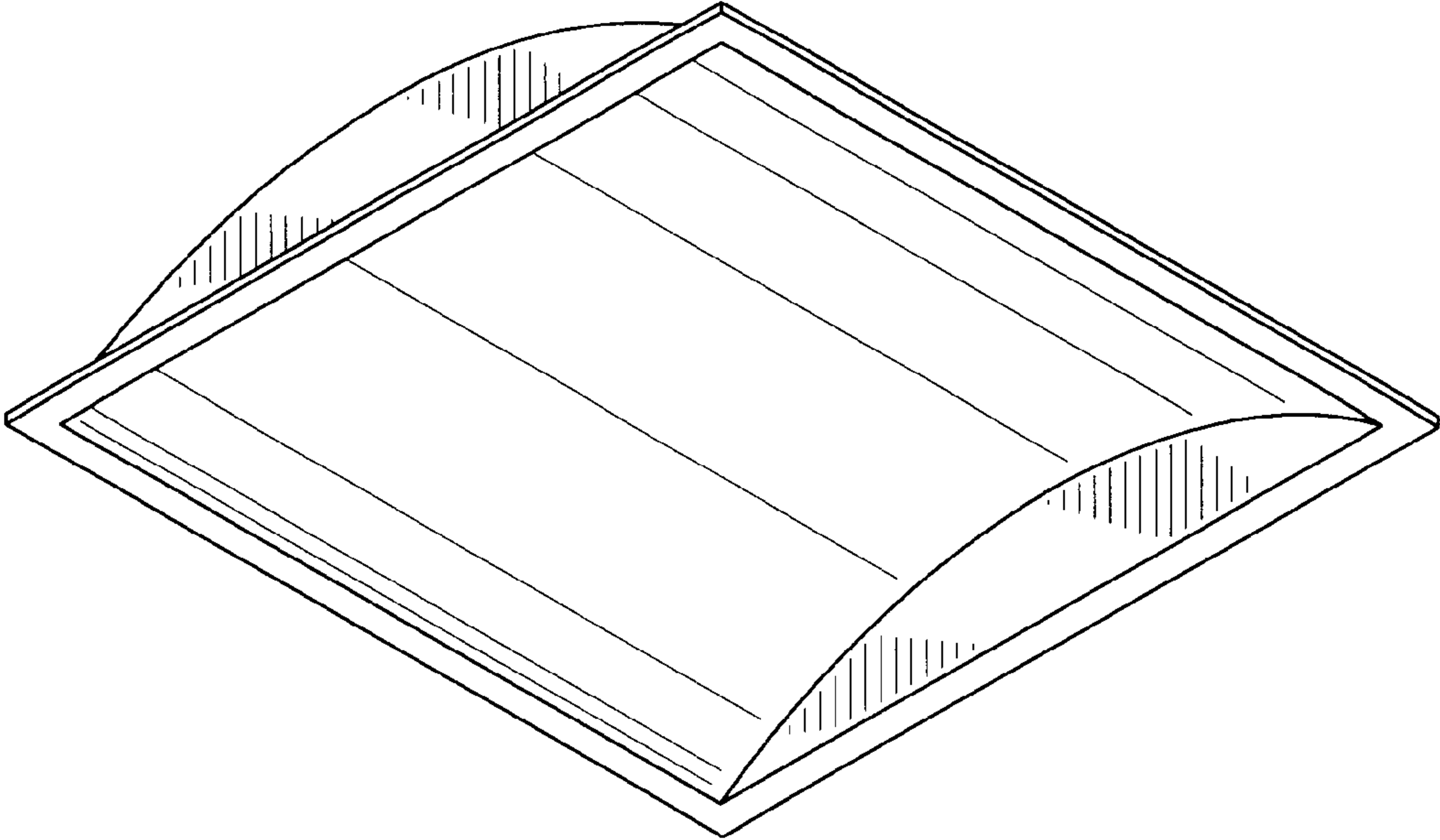


FIG. 3

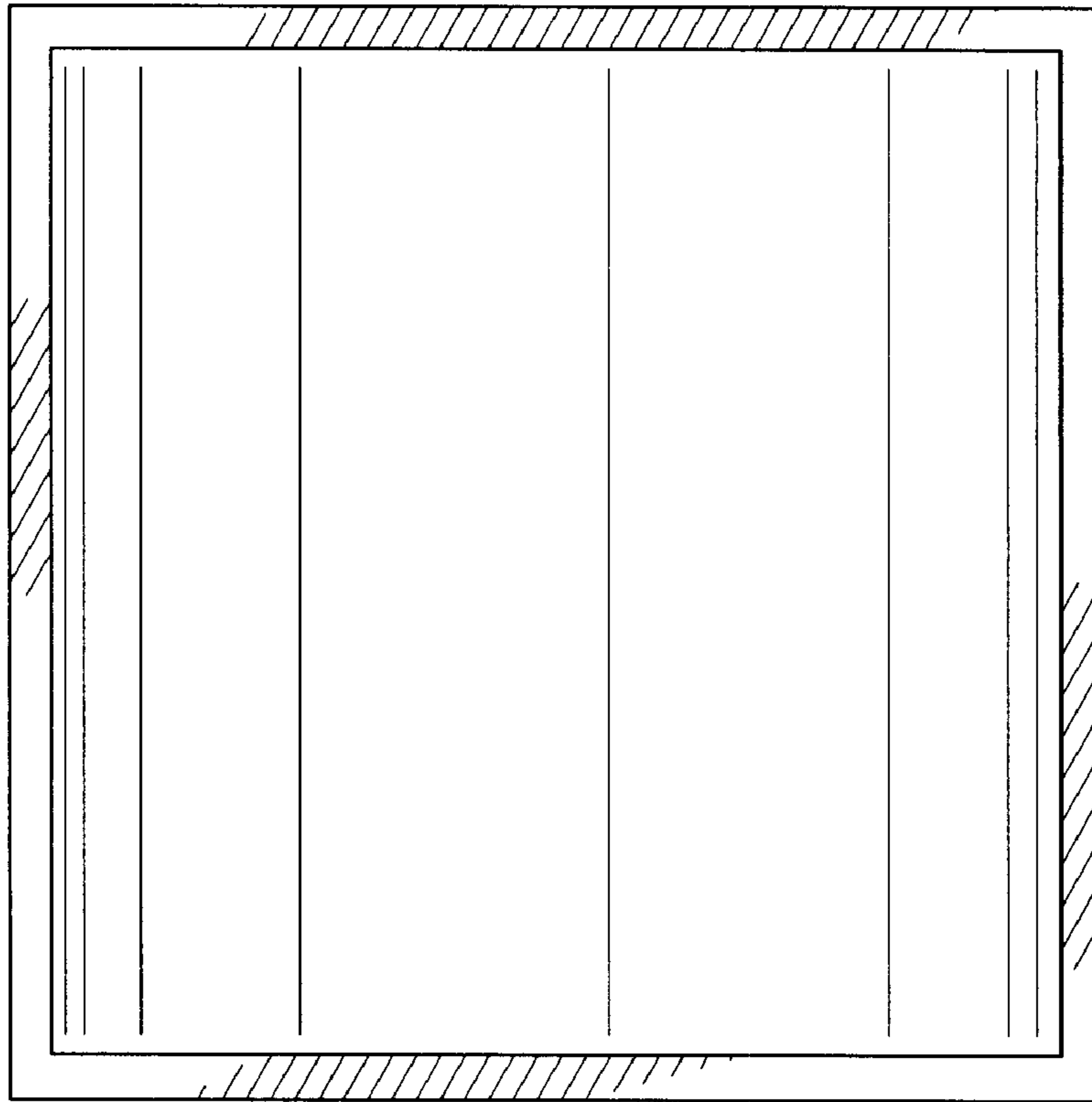


FIG. 4

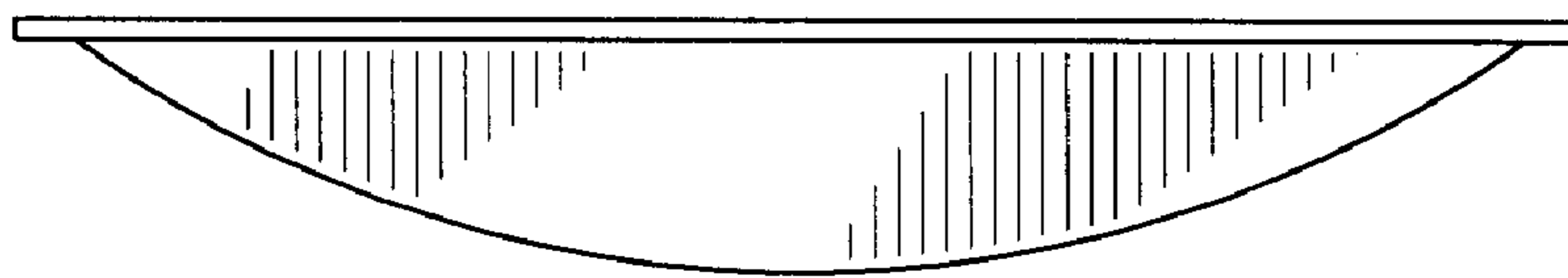
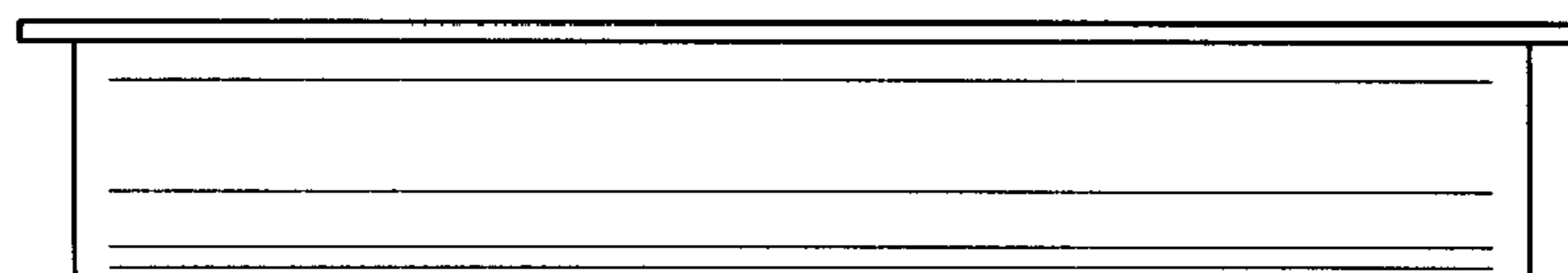


FIG. 5



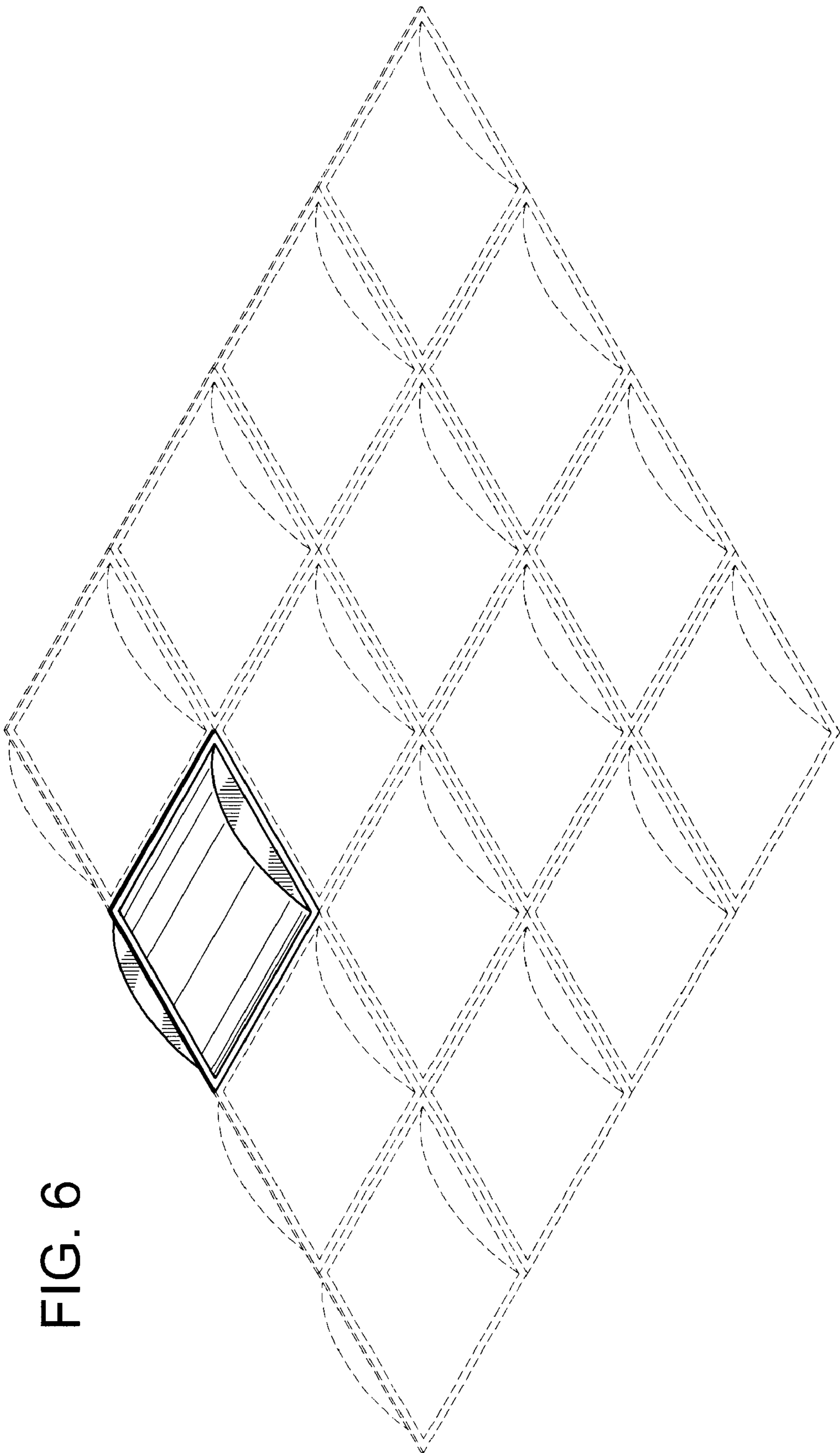


FIG. 6

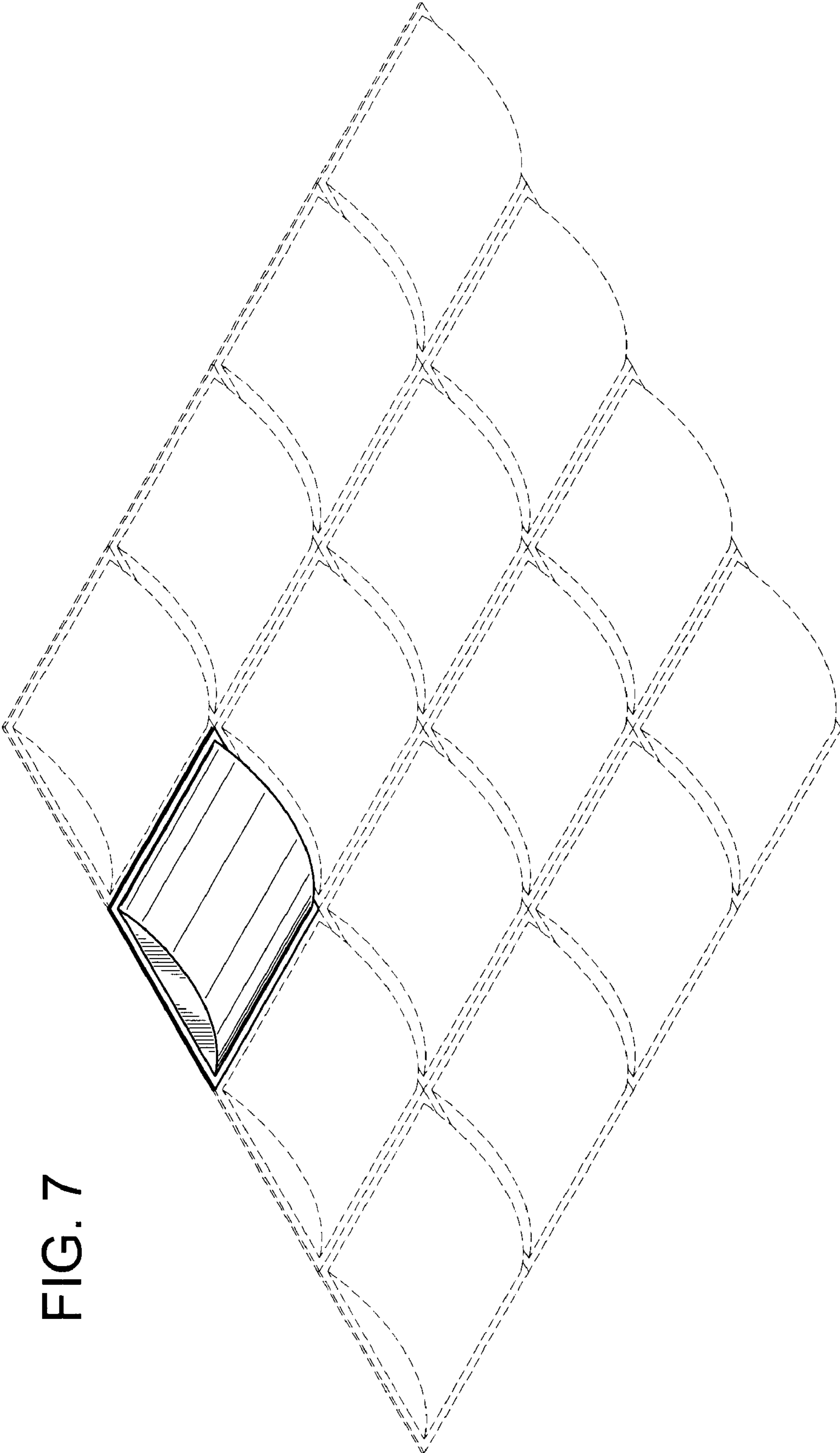


FIG. 7

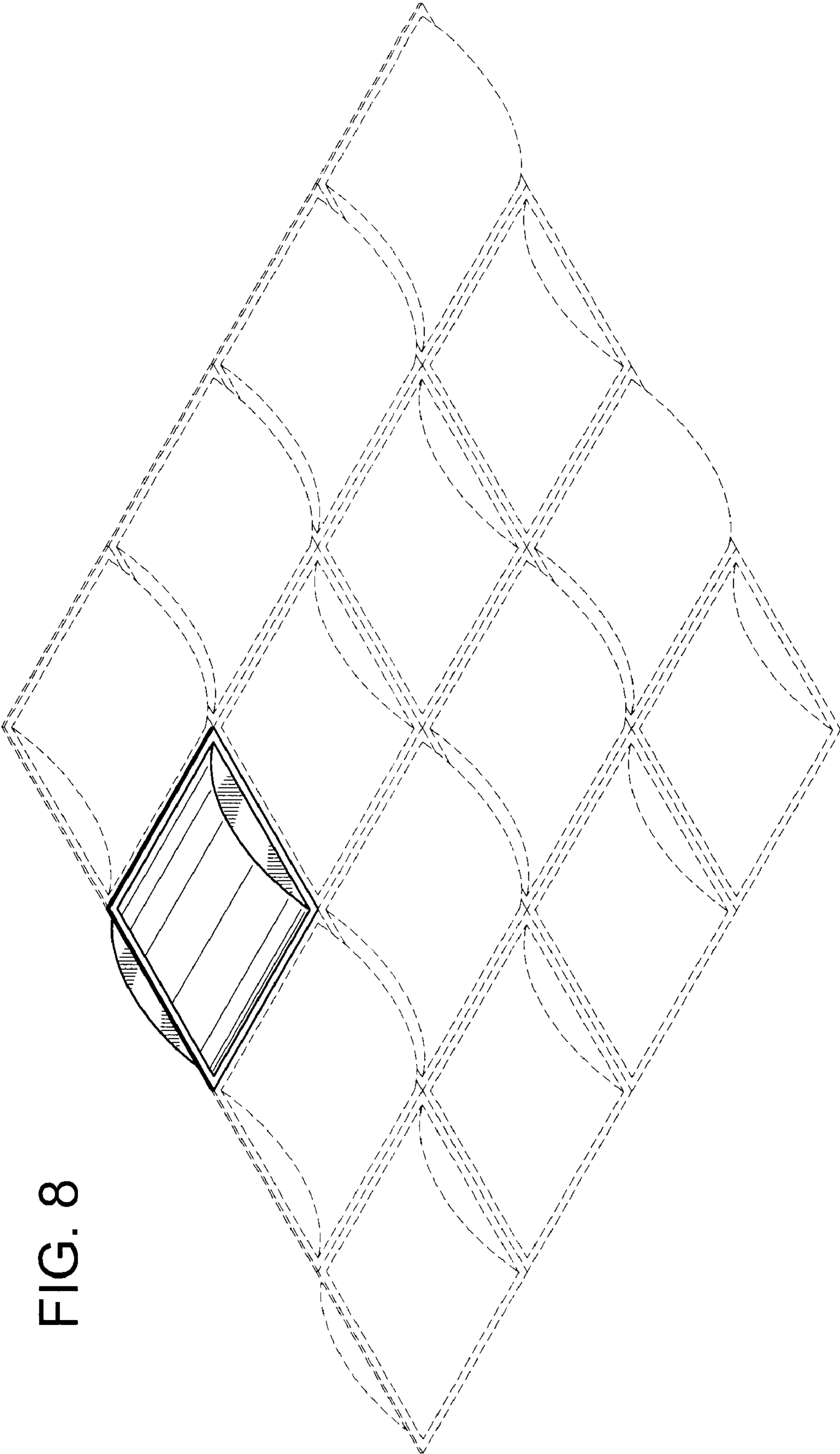


FIG. 8

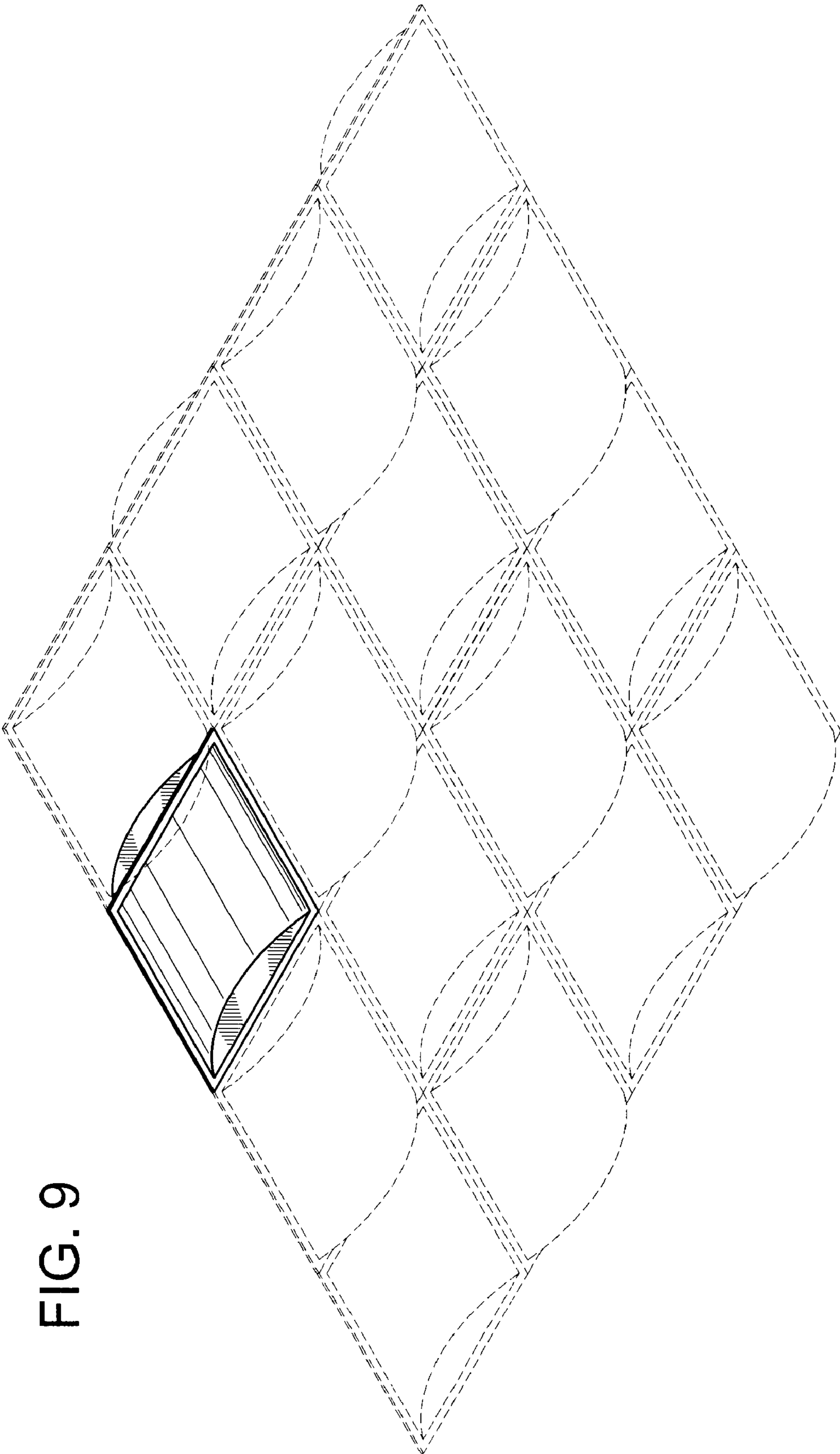


FIG. 9

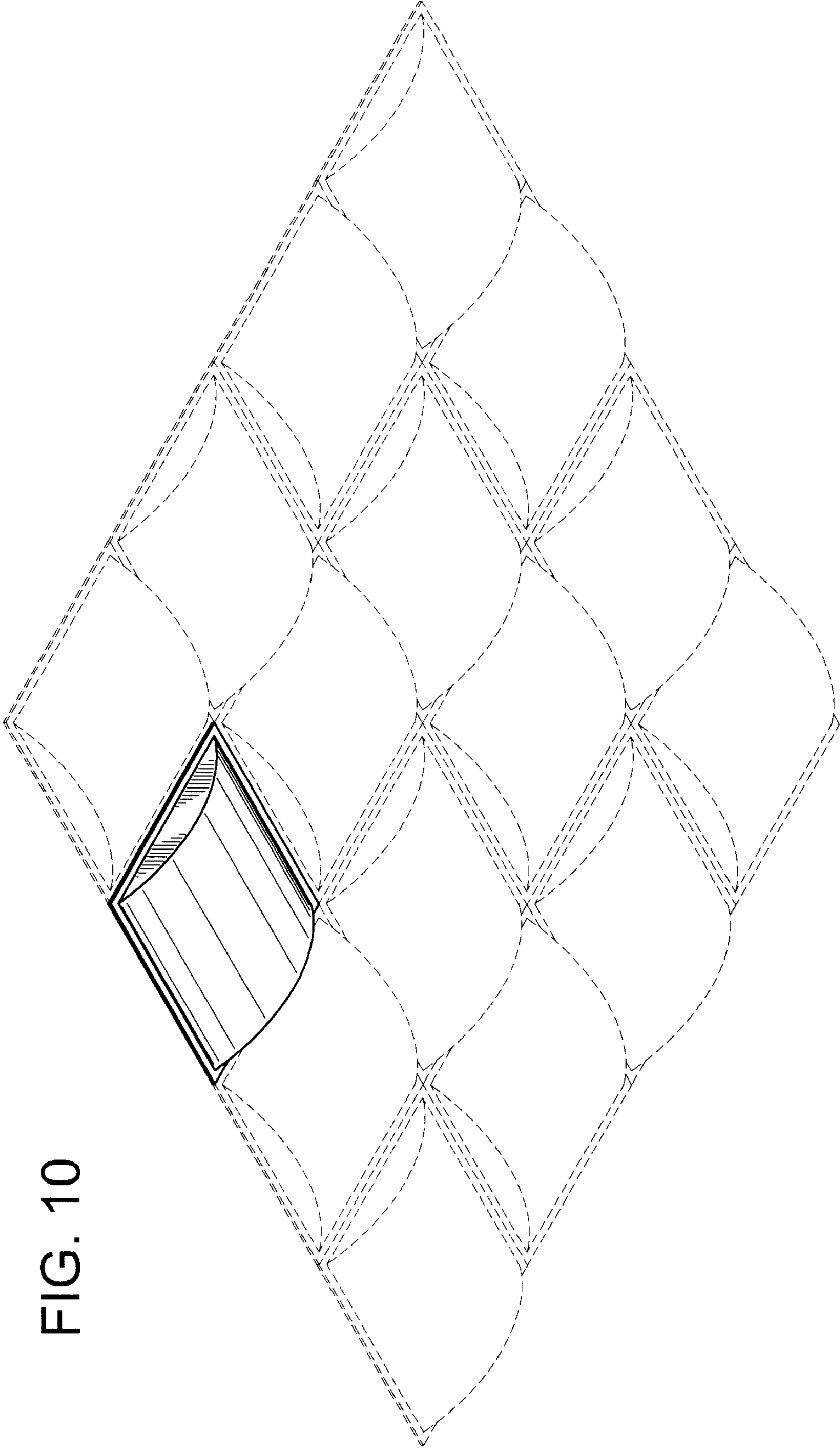


FIG. 10



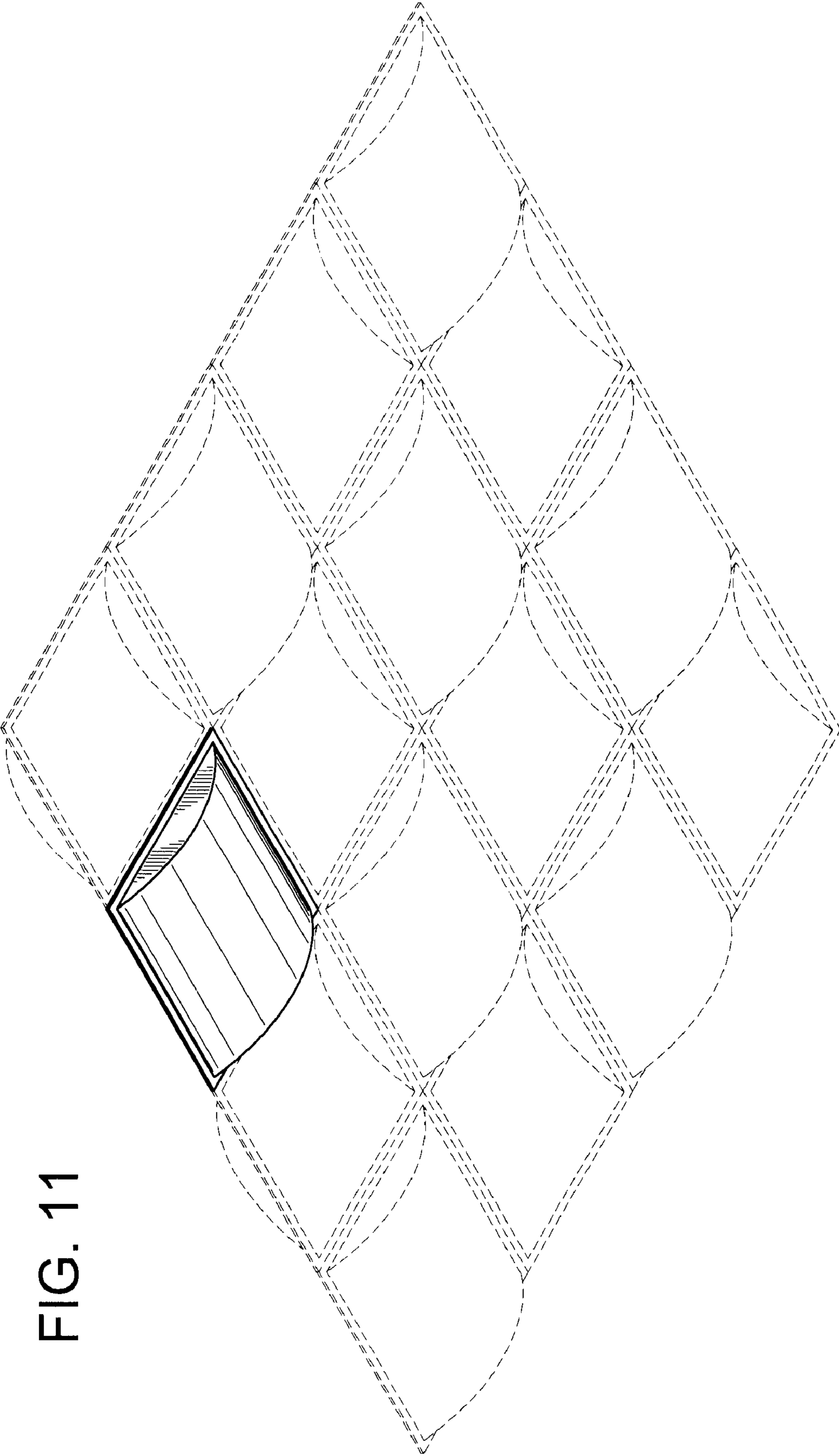


FIG. 11