

US00D512777S

(12) **United States Design Patent** (10) **Patent No.:** **US D512,777 S**
Beisner et al. (45) **Date of Patent:** **** Dec. 13, 2005**

(54) **INHALER**

(75) Inventors: **Keith Beisner**, Chapel Hill, NC (US);
Josh Kornfeld, Seattle, WA (US);
Matthias A. McCloud, Wendell, NC
(US); **Keith Schubert**, Redmond, WA
(US); **Jon Walter**, Wake Forest, NC
(US); **Michael Wethington**, Seattle,
WA (US)

(73) Assignee: **Chrysalis Technologies Incorporated**,
Richmond, VA (US)

(**) Term: **14 Years**

(21) Appl. No.: **29/199,608**

(22) Filed: **Feb. 19, 2004**

(51) **LOC (6) Cl.** **29-02**

(52) **U.S. Cl.** **D24/110**

(58) **Field of Search** D24/110; 128/200.12,
128/200.14, 200.23, 200.21, 200.18

(56) **References Cited**

U.S. PATENT DOCUMENTS

D326,518 S	5/1992	Verebelyi	
D355,029 S	1/1995	Kinneir et al.	
D376,868 S	12/1996	Makoto	
D390,651 S	2/1998	Smith et al.	
D397,499 S	8/1998	Saito et al.	
D417,731 S	12/1999	Butler et al.	
D433,126 S	10/2000	McCurry	
D436,222 S	1/2001	Lim	
D439,656 S	3/2001	Andersson et al.	
D441,071 S	4/2001	Attolini	
D444,225 S	6/2001	Andersson et al.	
D444,226 S	* 6/2001	Geert-Jensen et al.	D24/110
D445,496 S	7/2001	Anderson	
D452,910 S	1/2002	Braithwaite et al.	
D457,262 S	5/2002	Smith	

D460,173 S	7/2002	Harrison	
D463,618 S	9/2002	Smith	
D467,335 S	12/2002	Lithgow et al.	
D468,011 S	12/2002	Lithgow et al.	
D473,640 S	4/2003	Cuffaro et al.	
D477,665 S	7/2003	Myrman et al.	
D478,983 S	* 8/2003	Whitehall et al.	D24/110
D479,321 S	9/2003	Lev et al.	
D482,120 S	11/2003	Pasternak	
D483,115 S	12/2003	Pasternak	
D487,311 S	3/2004	Lithgow et al.	
6,732,731 B1	* 5/2004	Tseng	128/200.21
2001/0002592 A1	* 6/2001	Attolini	128/200.21
2001/0037807 A1	* 11/2001	Kong	128/200.21

* cited by examiner

Primary Examiner—Ian Simmons

(74) *Attorney, Agent, or Firm*—Buchanan Ingersoll PC

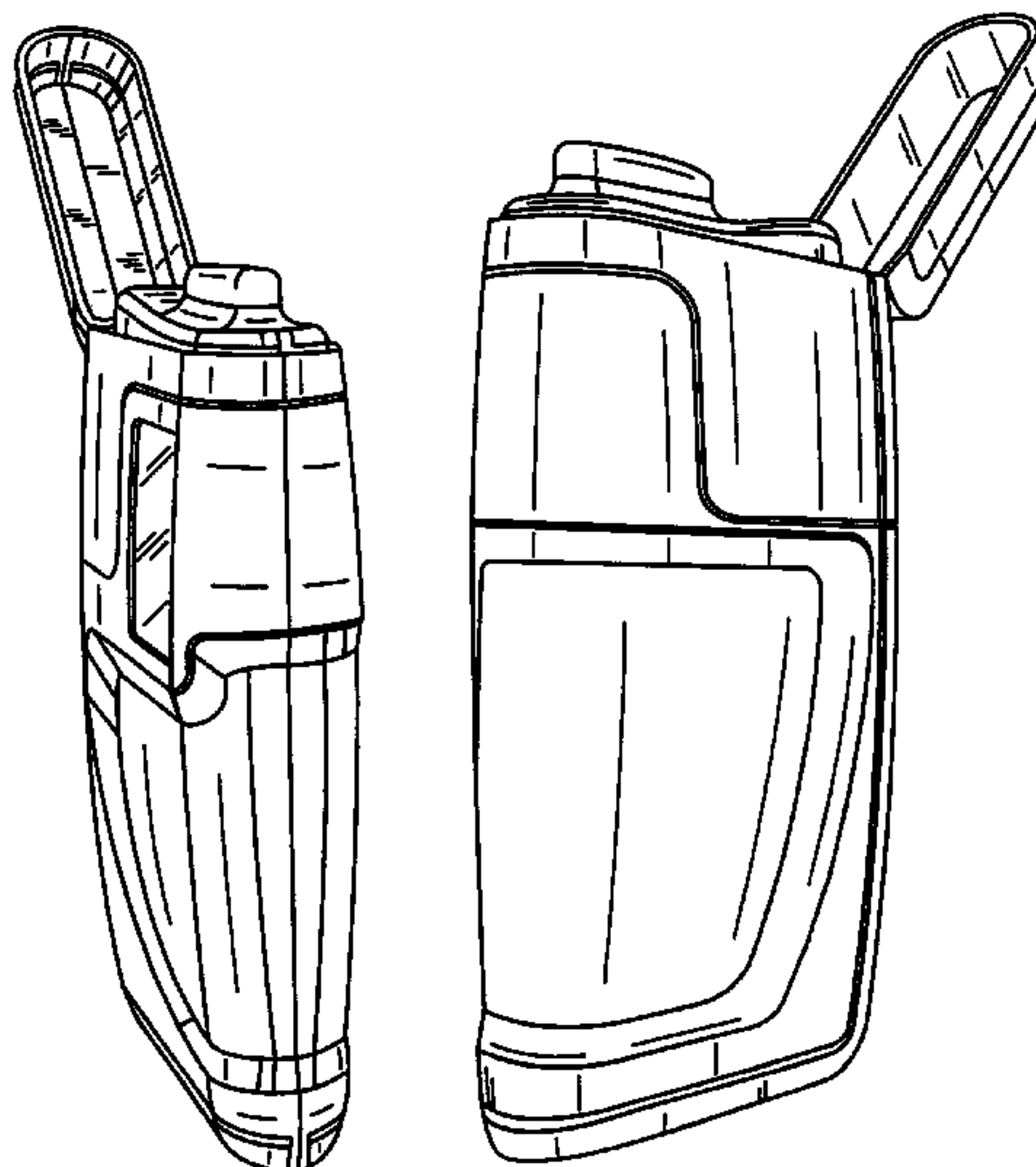
(57) **CLAIM**

The ornamental design for an inhaler, as shown and described.

DESCRIPTION

FIG. 1 is a front, right side perspective view of an inhaler showing our new design, with the cap in an open position. FIG. 2 is a rear, right side perspective view thereof. FIG. 3 is a front elevational view thereof. FIG. 4 is a rear elevational view thereof. FIG. 5 is a rear, left side perspective view thereof, with the cap in a closed position. FIG. 6 is a front, left side perspective view thereof, with the cap in a closed position. FIG. 7 is a top plan view thereof, with the cap removed. FIG. 8 is a bottom plan view thereof, with the cap removed. FIG. 9 is a front, right side perspective view thereof, with the cap removed; and, FIG. 10 is a front elevational view thereof, with the cap removed.

1 Claim, 5 Drawing Sheets



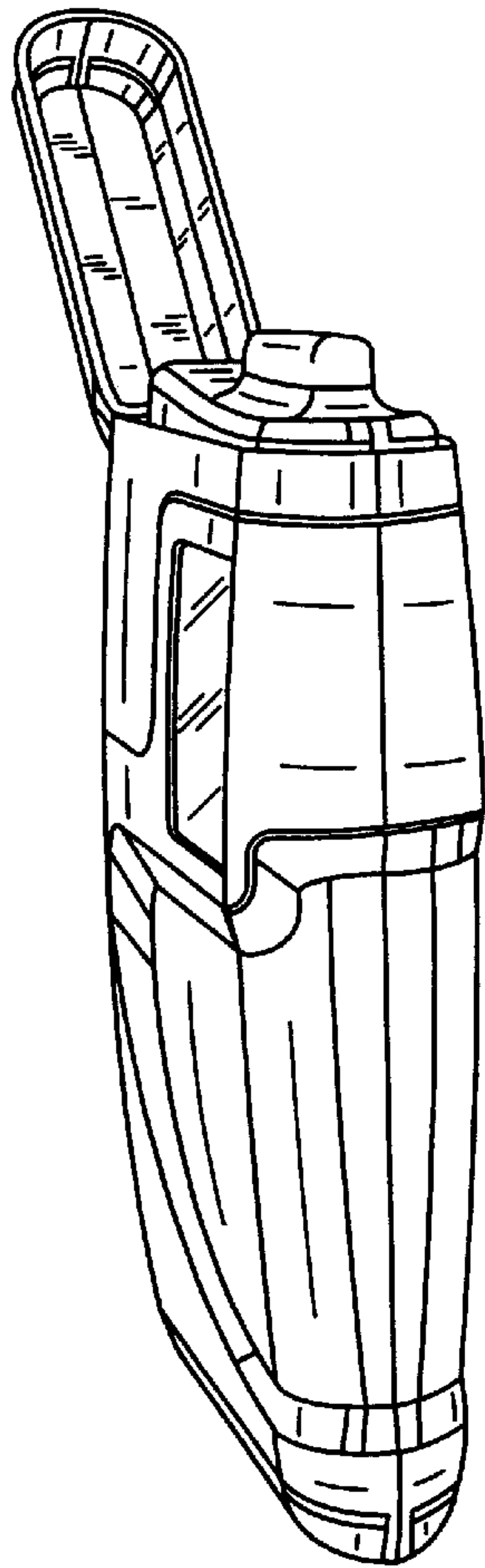


FIG. 1

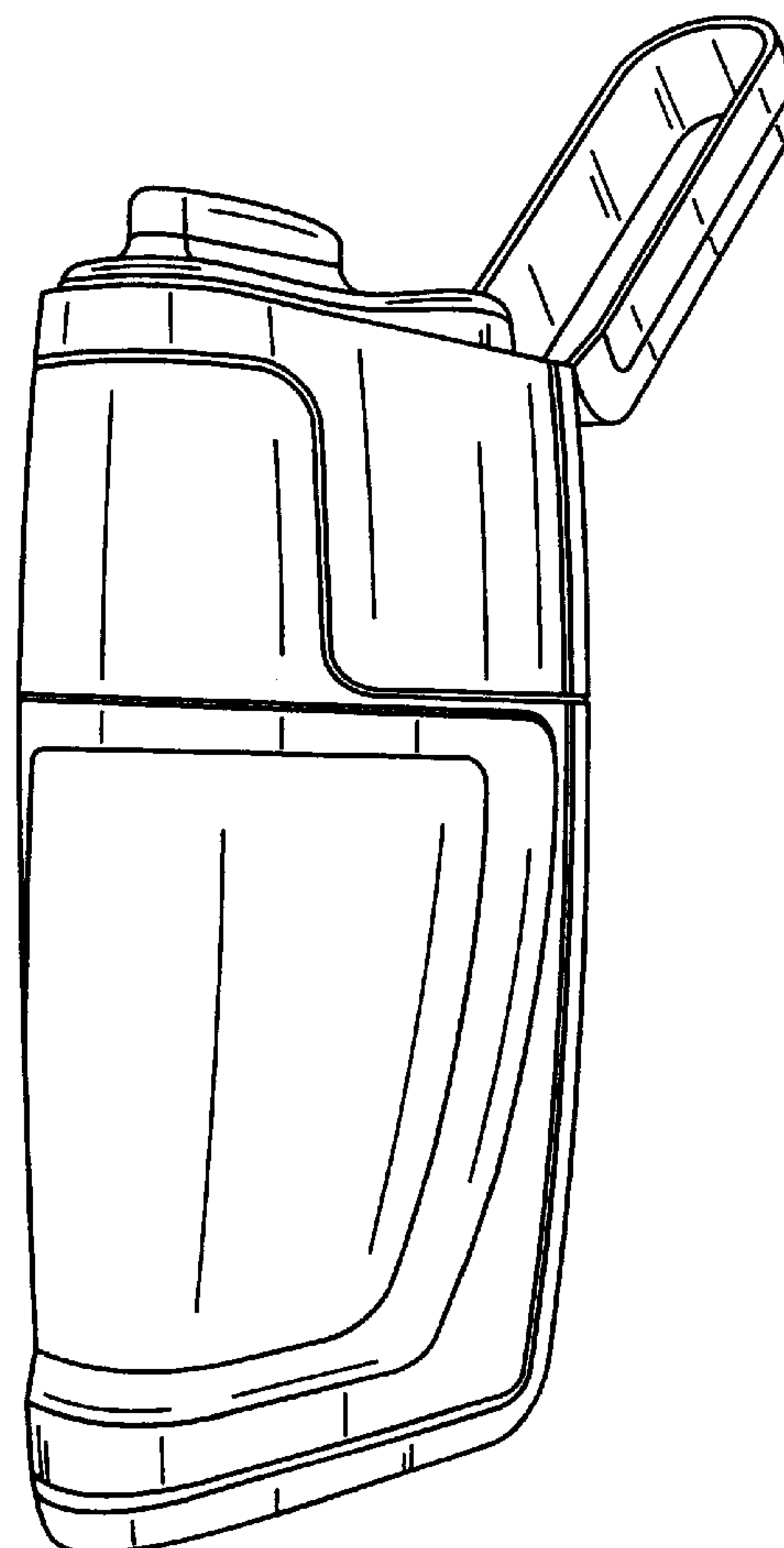


FIG. 2

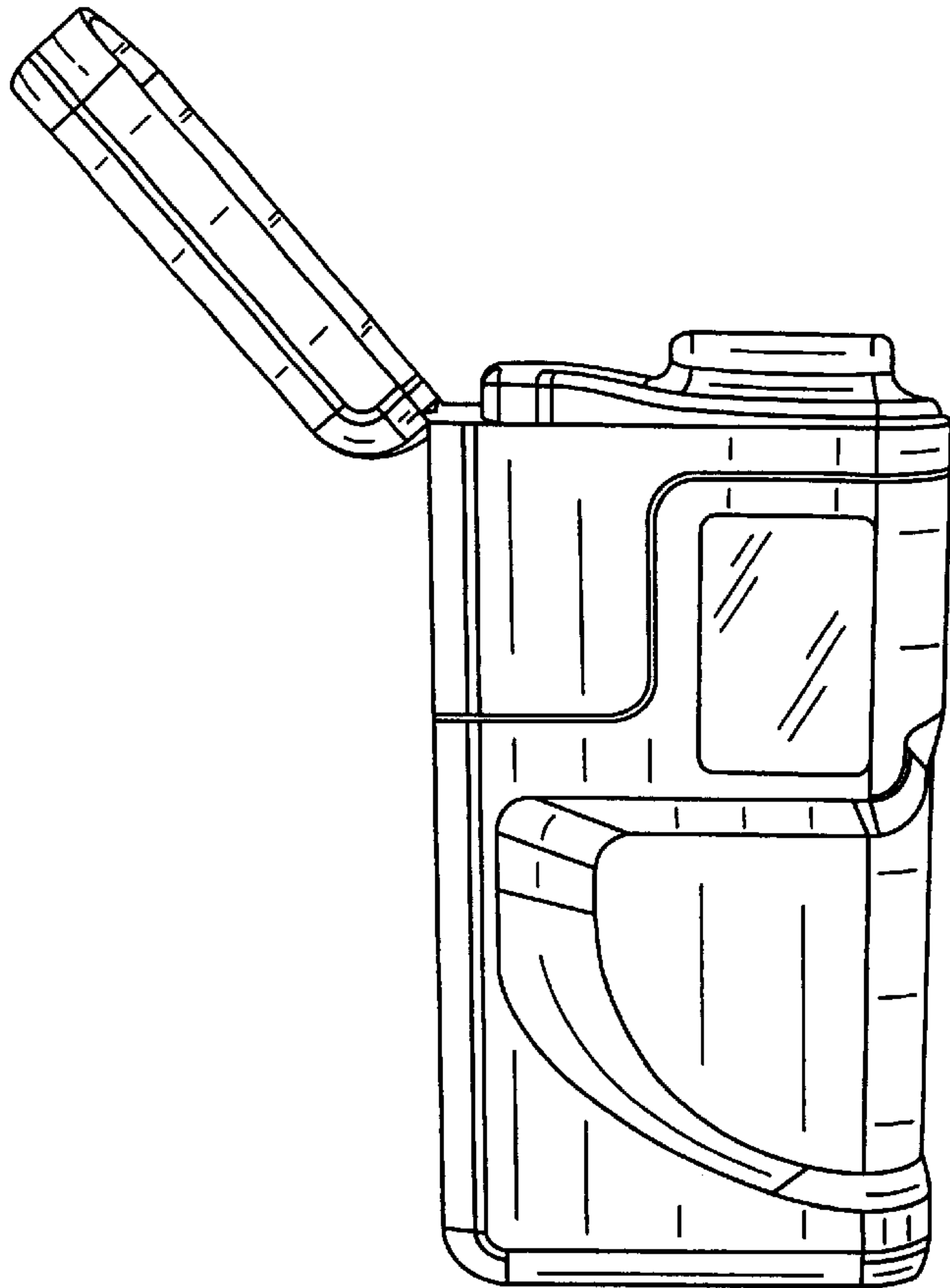


FIG. 3

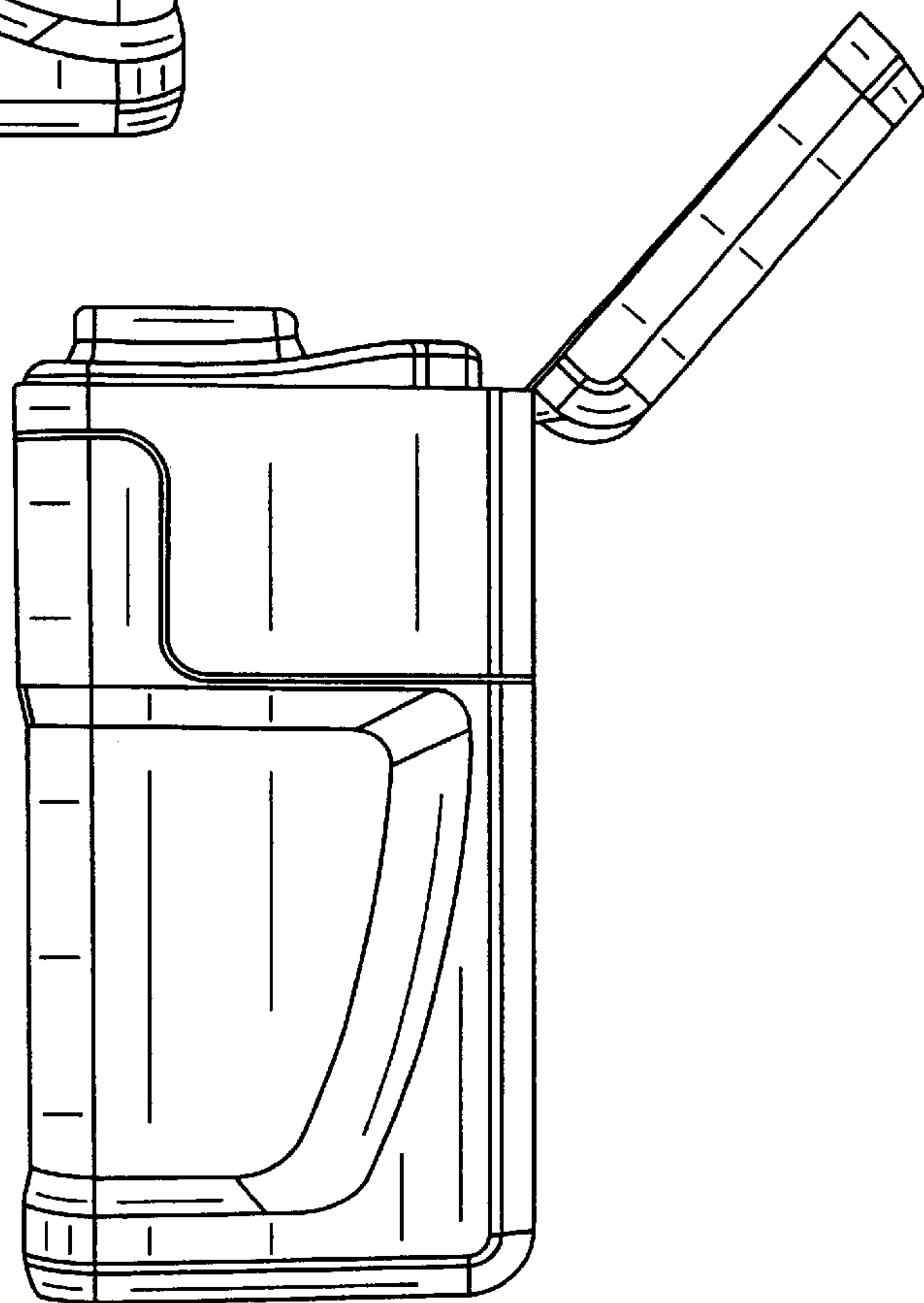


FIG. 4

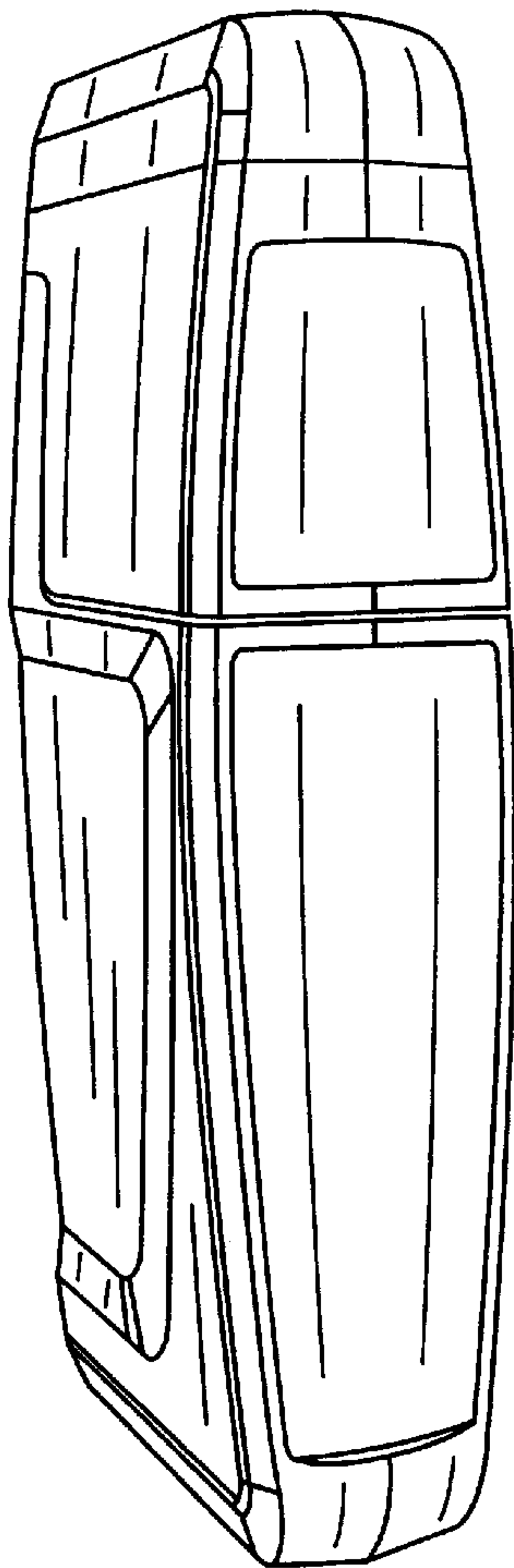


FIG. 5

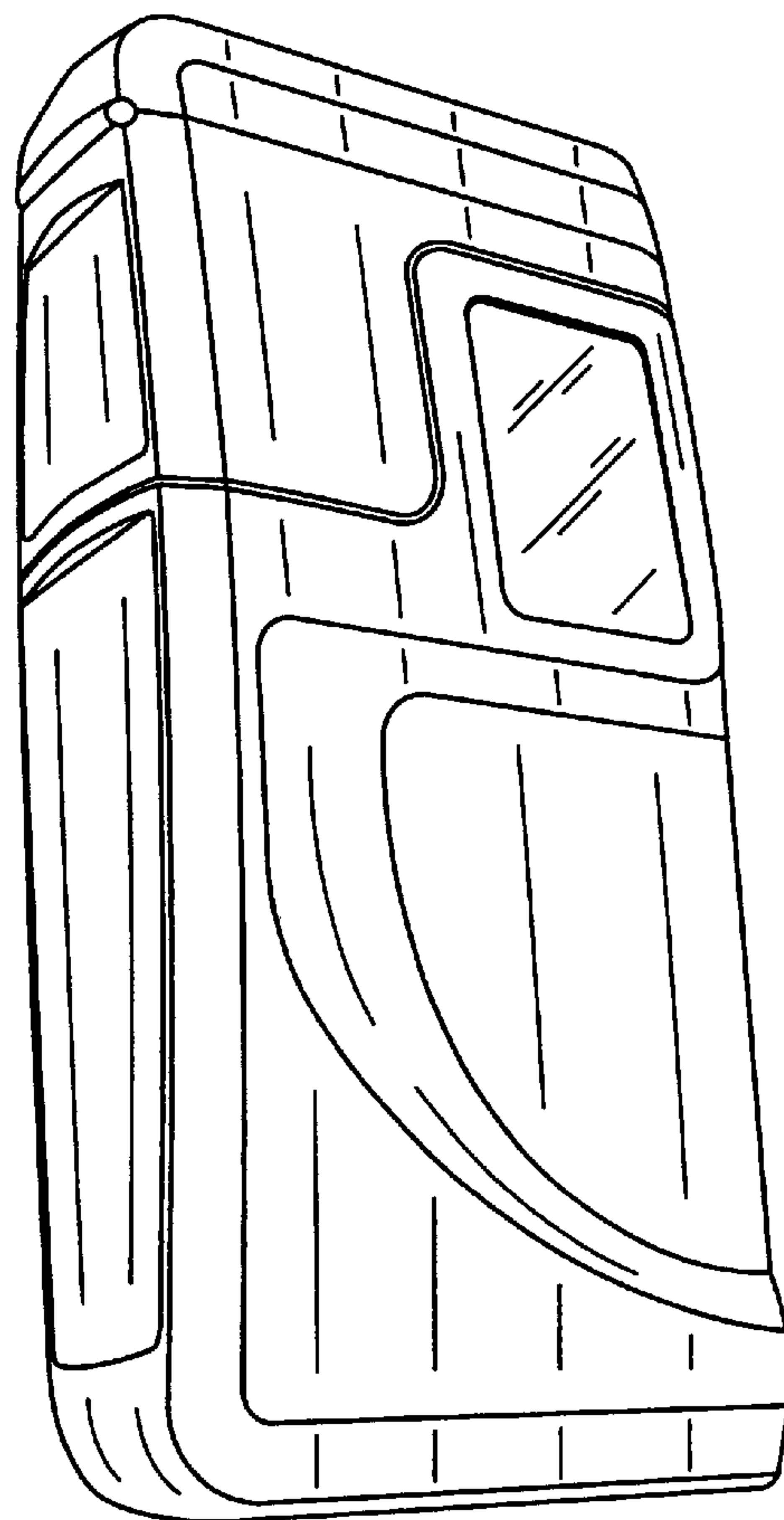


FIG. 6

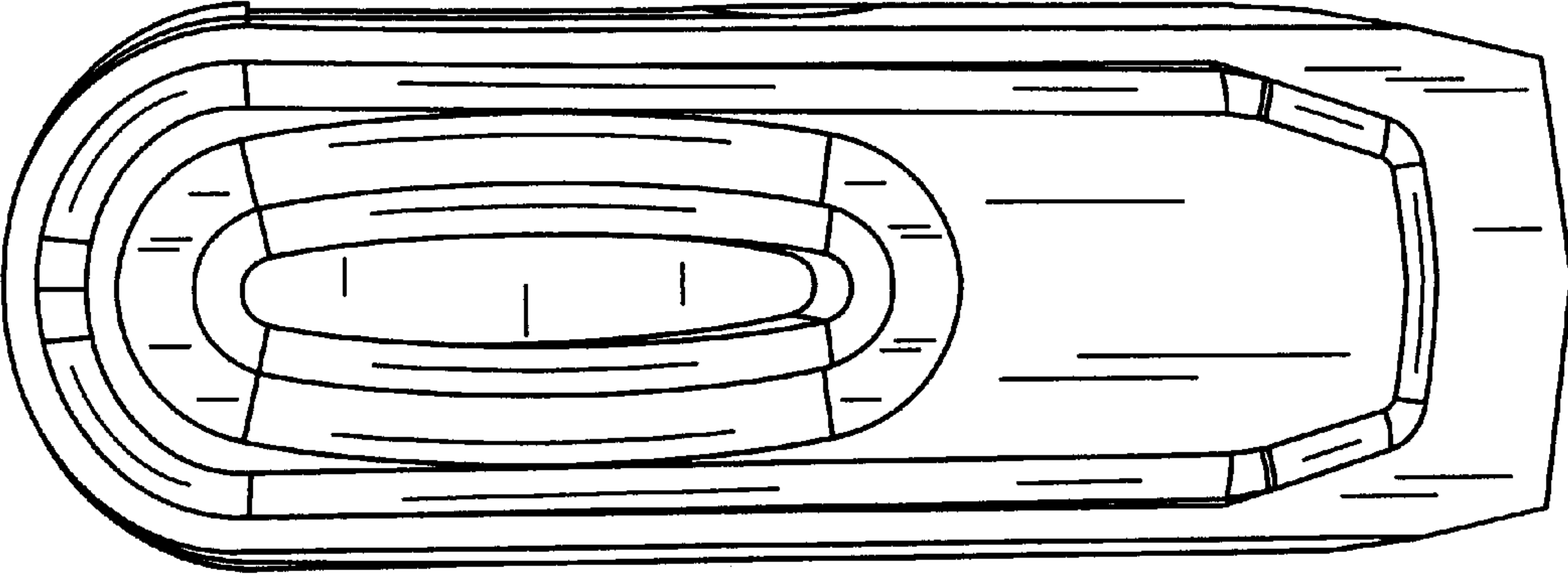


FIG. 7

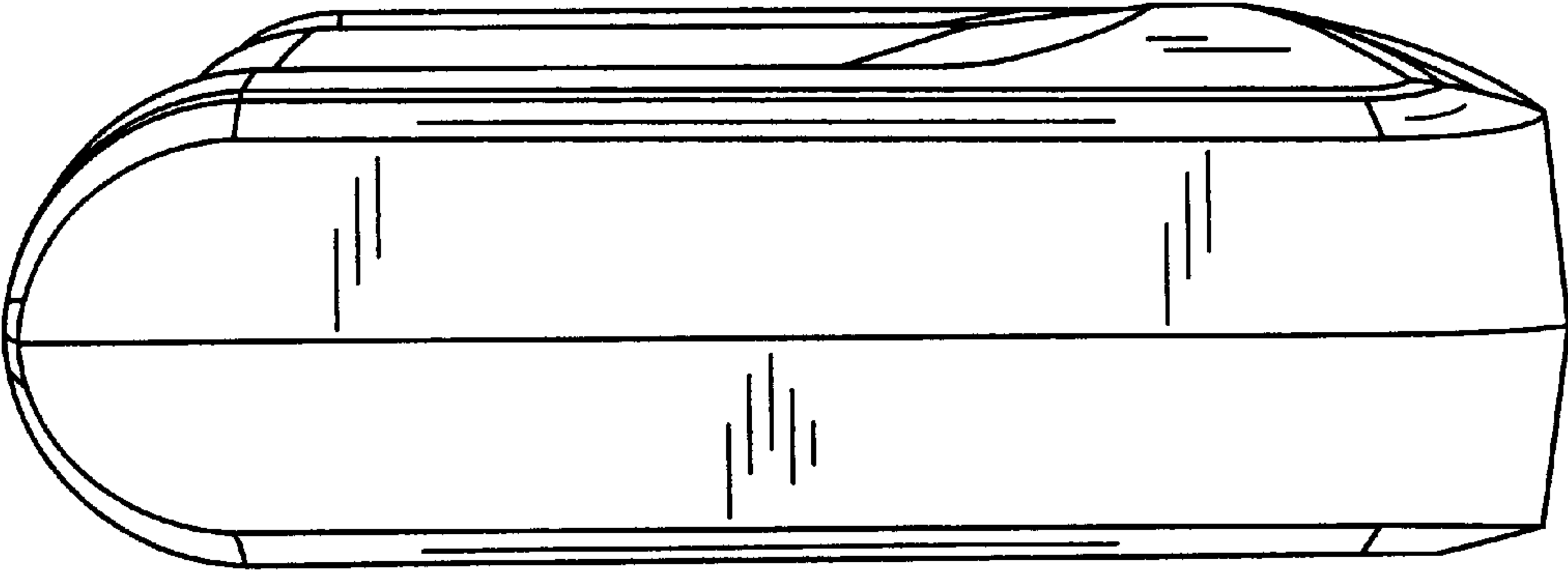


FIG. 8

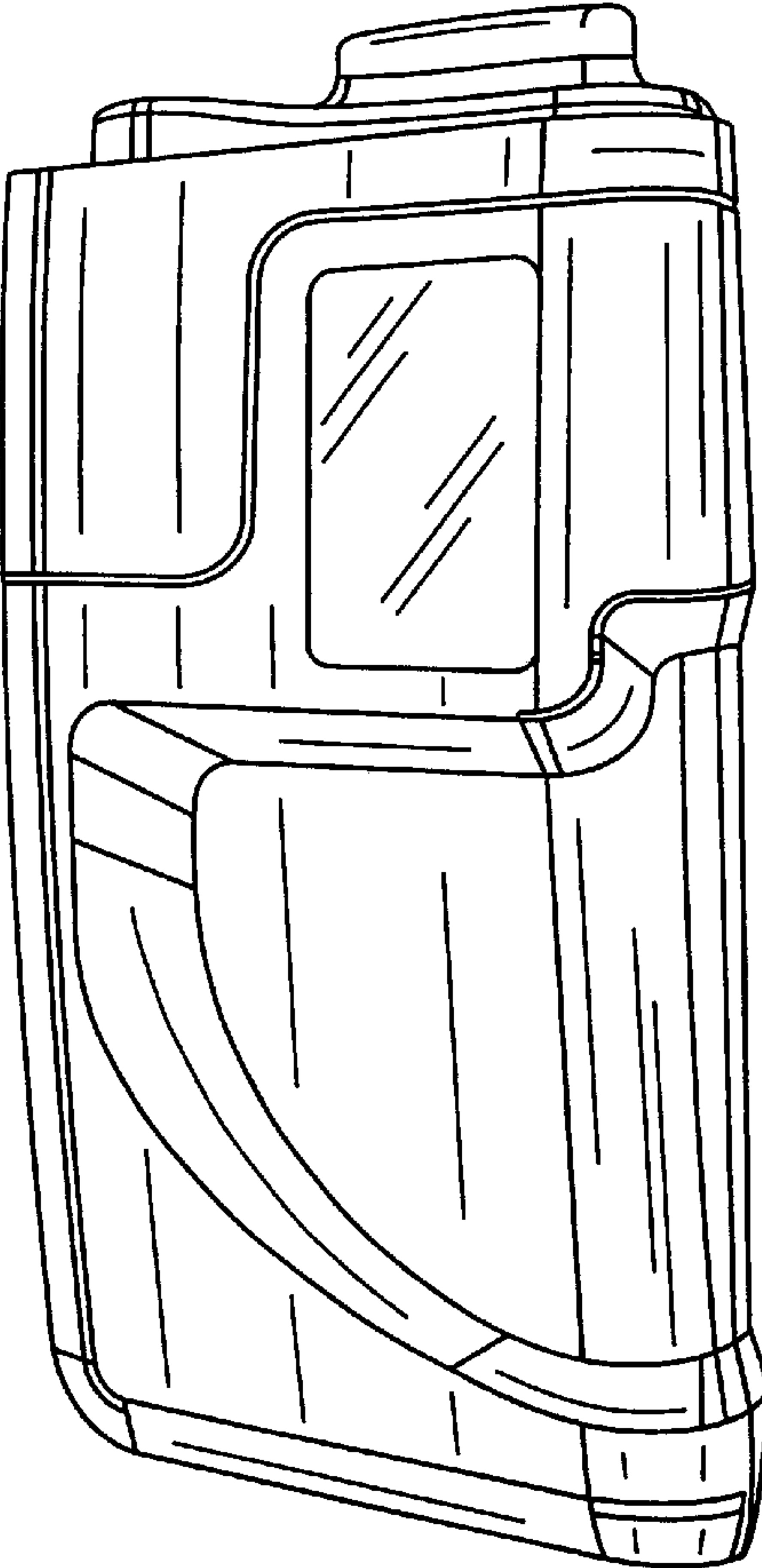


FIG. 9

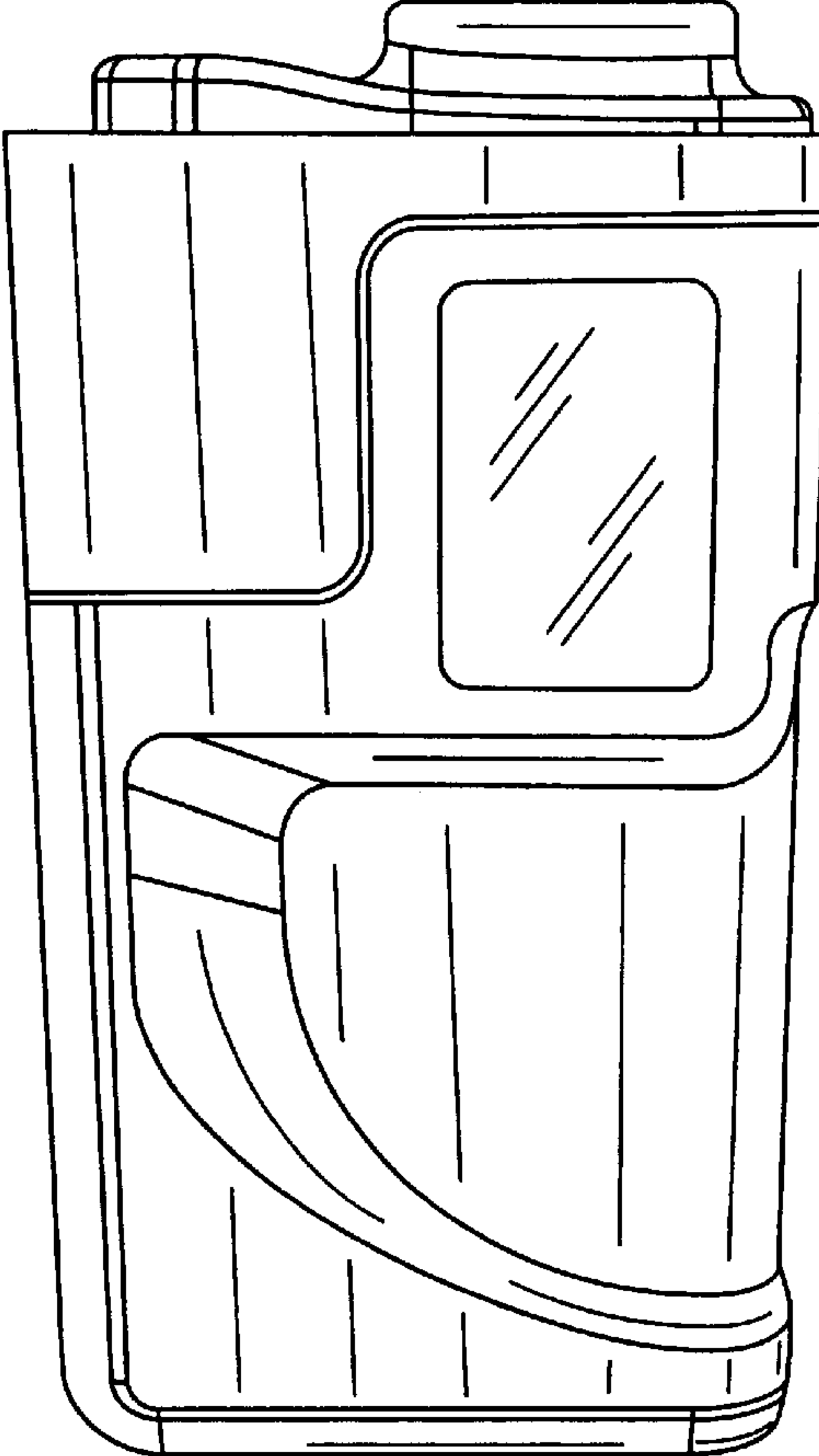


FIG. 10