



US00D512773S

(12) **United States Design Patent**
Lee

(10) **Patent No.:** **US D512,773 S**

(45) **Date of Patent:** **** Dec. 13, 2005**

(54) **FAN**

D486,216 S * 2/2004 Wilson, Jr. D23/378

(76) **Inventor:** **Ming-Tsung Lee**, No. 267, Yu Hsiao Road, Tainan City (TW)

* cited by examiner

Primary Examiner—Lisa Lichtenstein

(**) **Term:** **14 Years**

(57) **CLAIM**

(21) **Appl. No.:** **29/209,263**

The ornamental design for a fan, as shown.

(22) **Filed:** **Jul. 14, 2004**

DESCRIPTION

(51) **LOC (6) Cl.** **23-04**

(52) **U.S. Cl.** **D23/378**

(58) **Field of Search** D23/370, 378,
D23/332, 381; 392/365, 367; 415/53.1–53.3;
416/244 R, 247 R

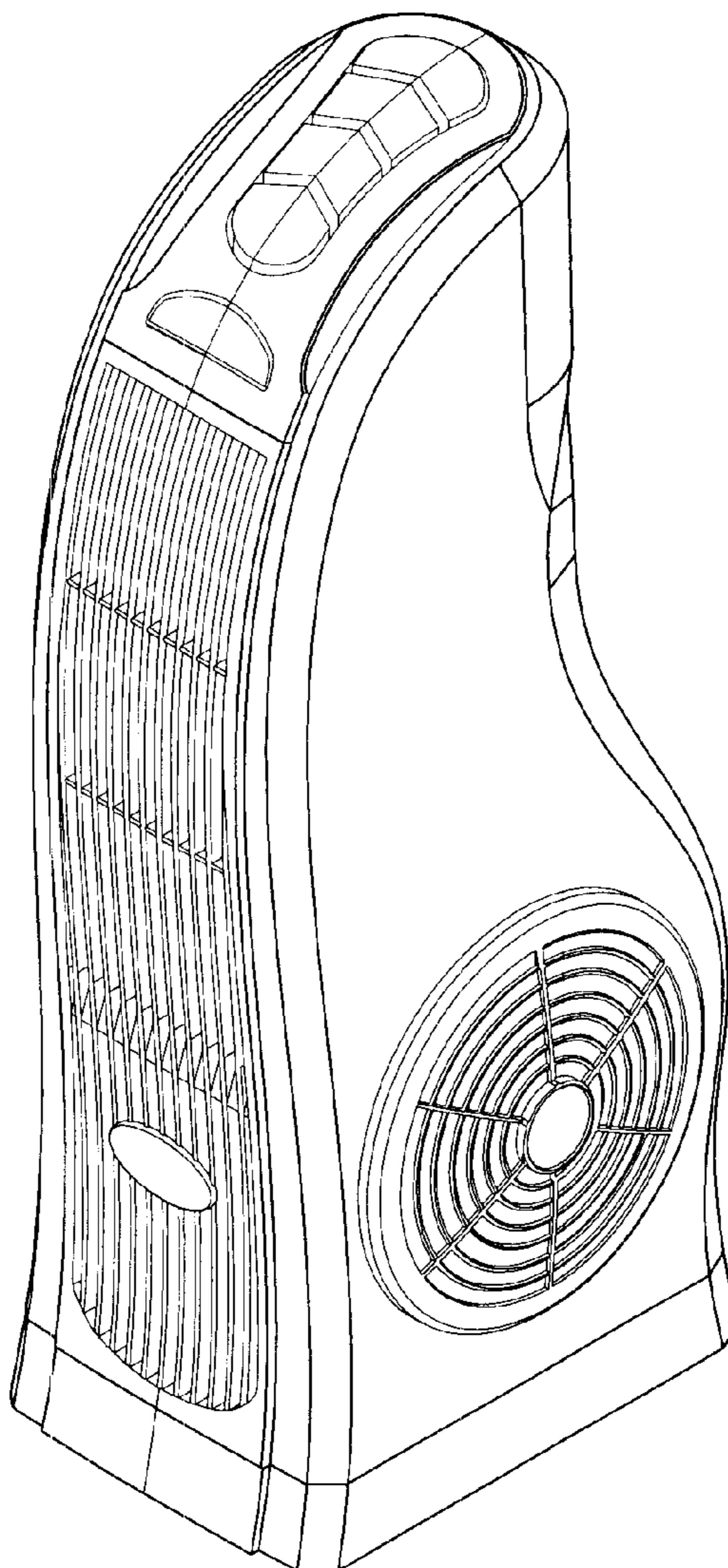
FIG. 1 is a perspective view of a fan showing my design;
FIG. 2 is a front elevational view thereof;
FIG. 3 is a rear elevational view thereof;
FIG. 4 is a left side elevational view thereof;
FIG. 5 is a right side elevational view thereof;
FIG. 6 is a top plan view thereof; and,
FIG. 7 is a bottom plan view thereof.

(56) **References Cited**

U.S. PATENT DOCUMENTS

D479,593 S * 9/2003 Fok D23/378

1 Claim, 4 Drawing Sheets



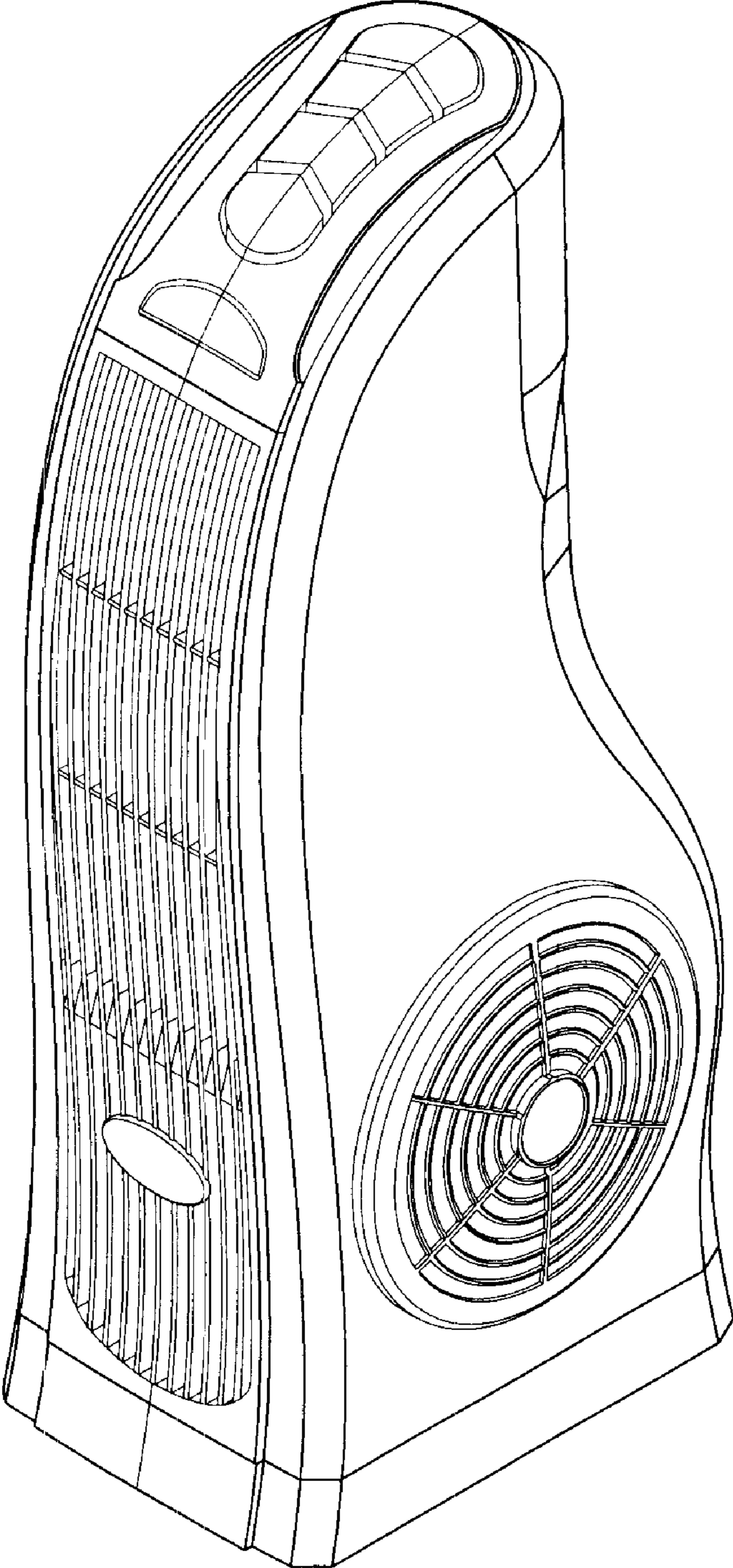


FIG. 1

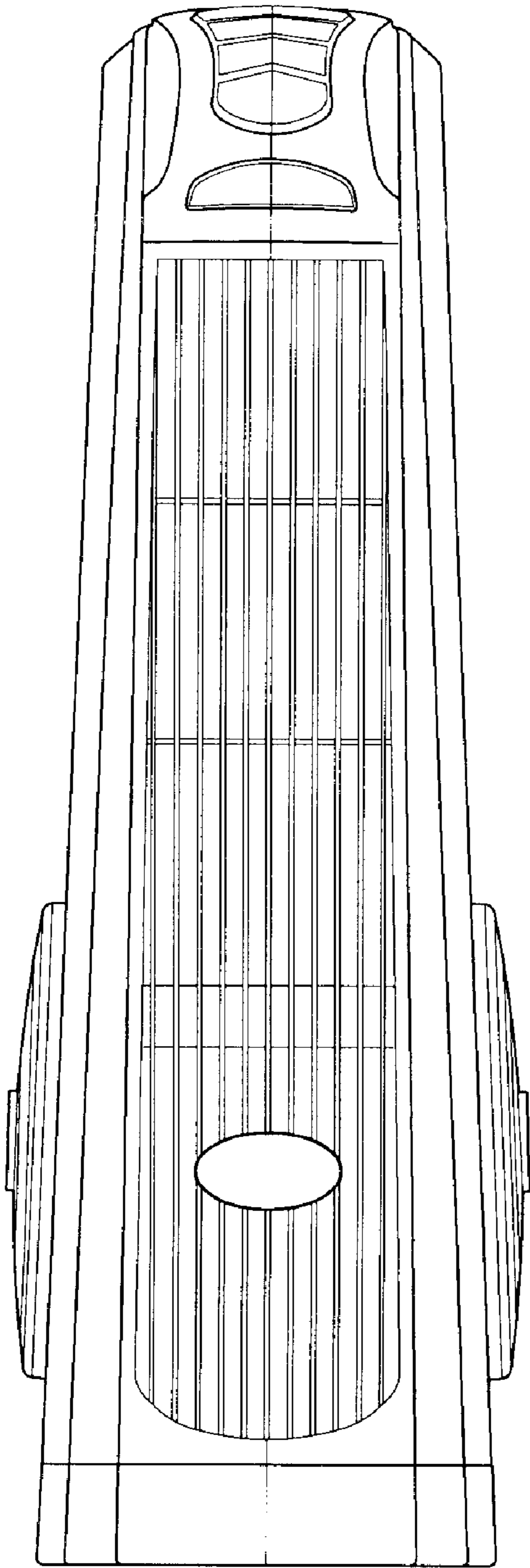


FIG. 2

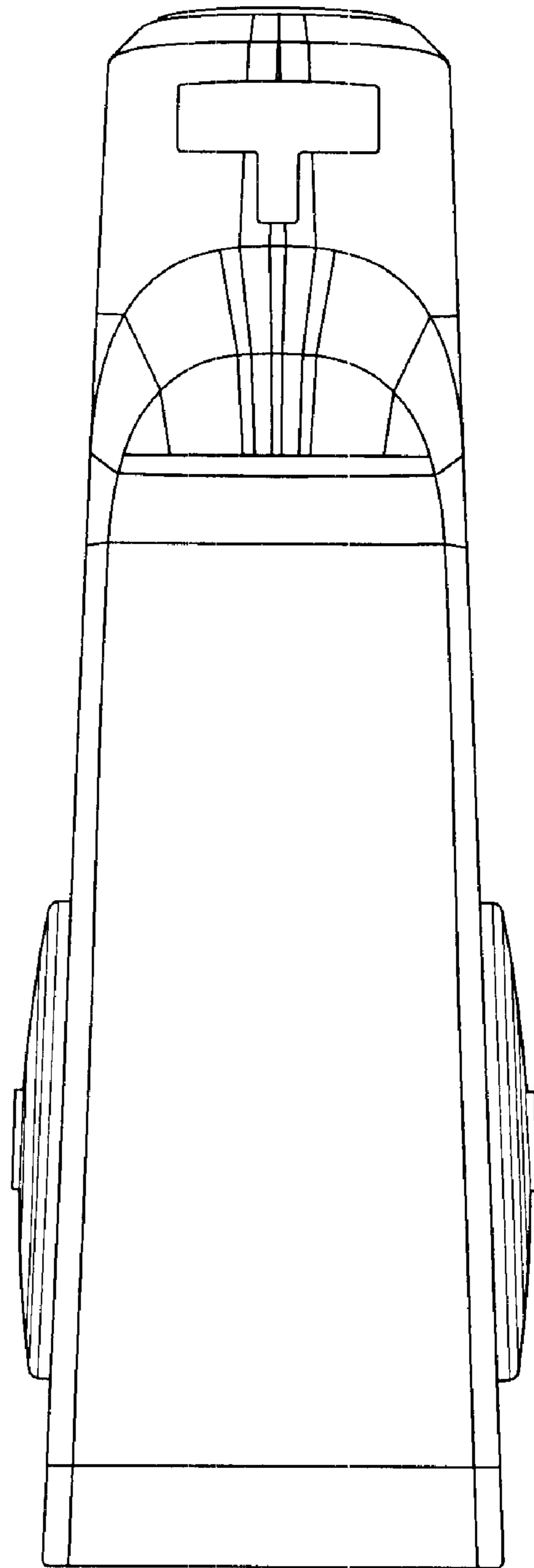


FIG. 3

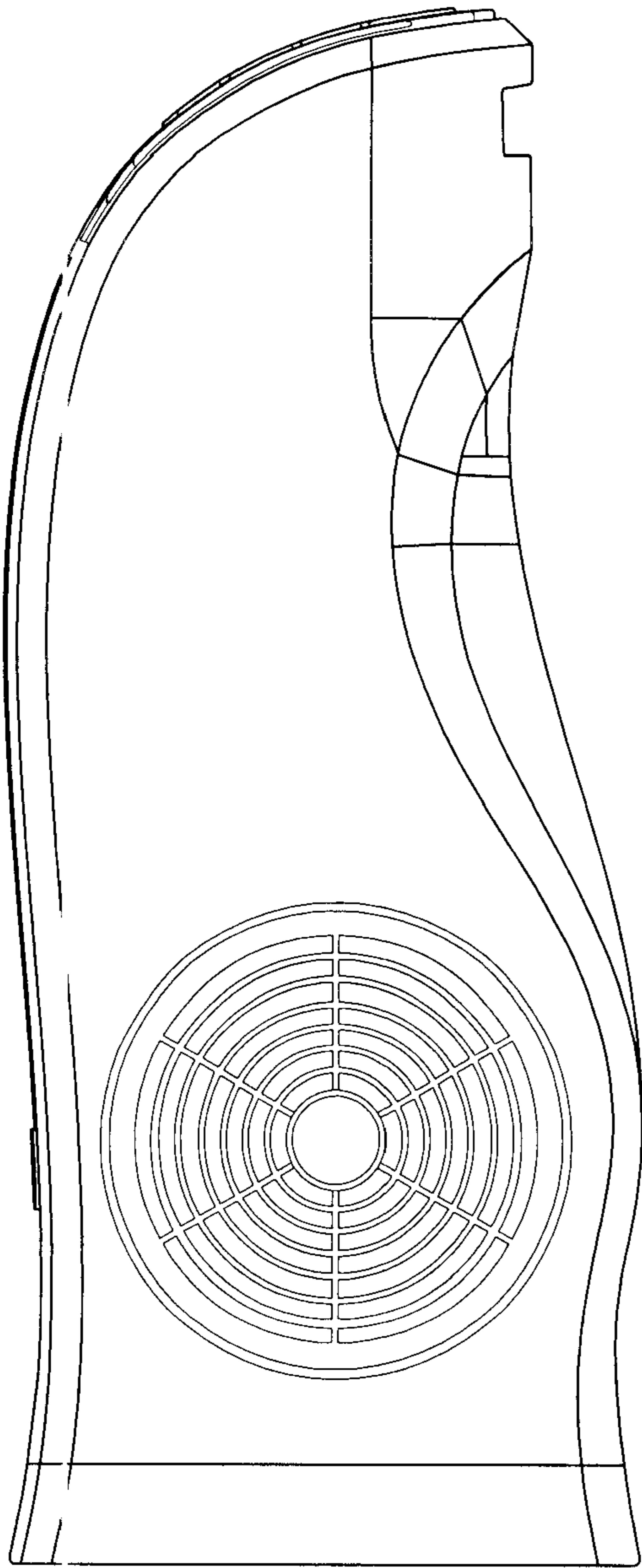


FIG. 4

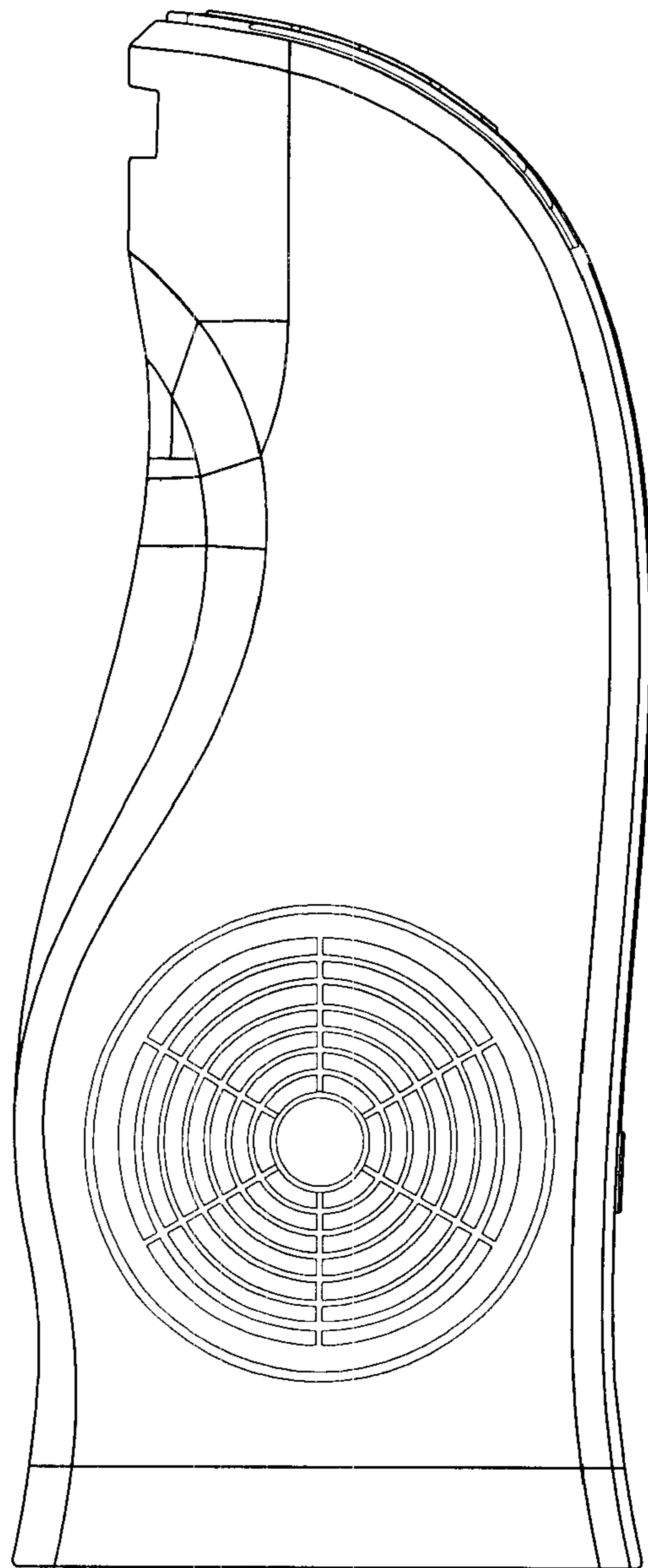


FIG. 5

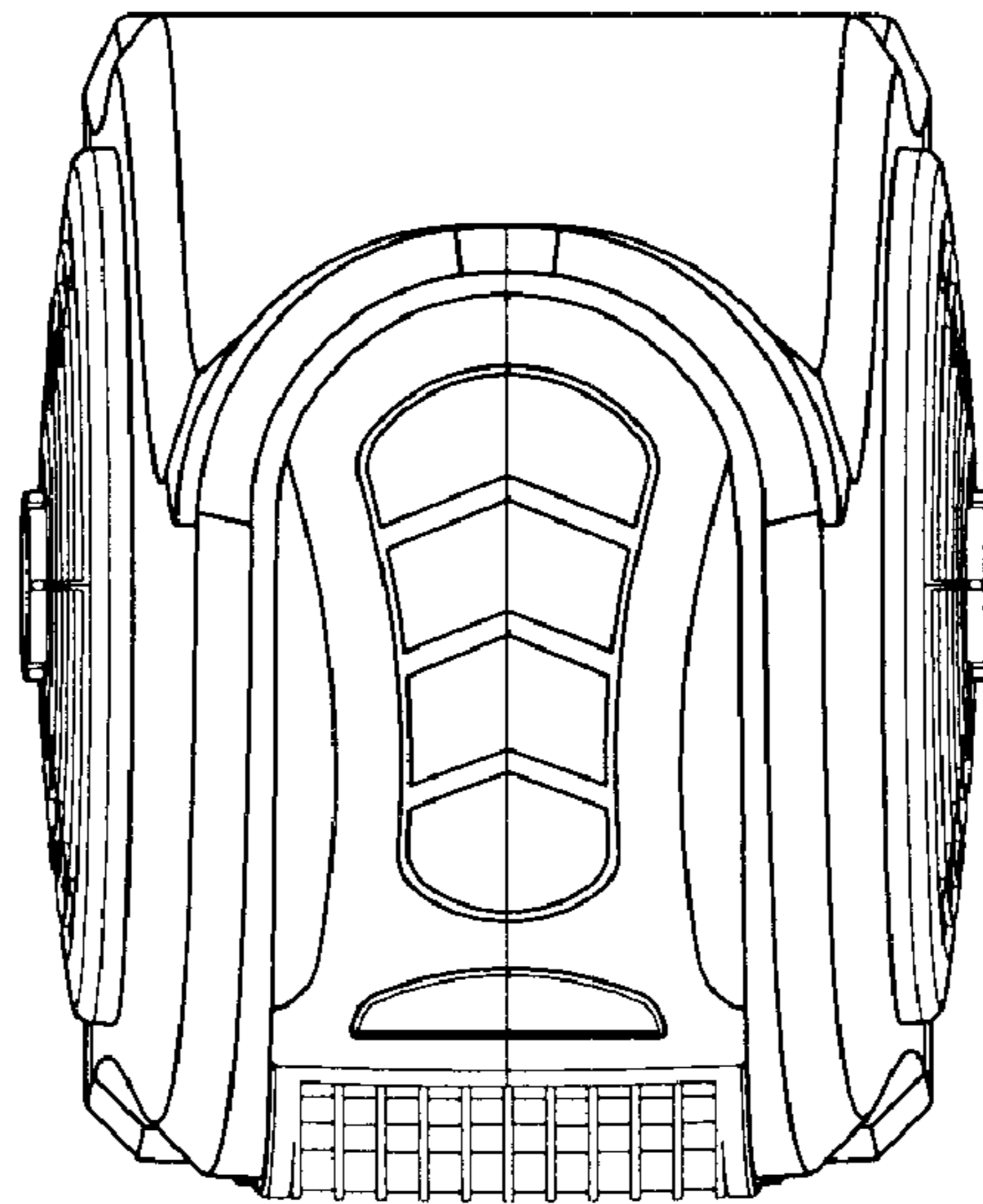


FIG. 6

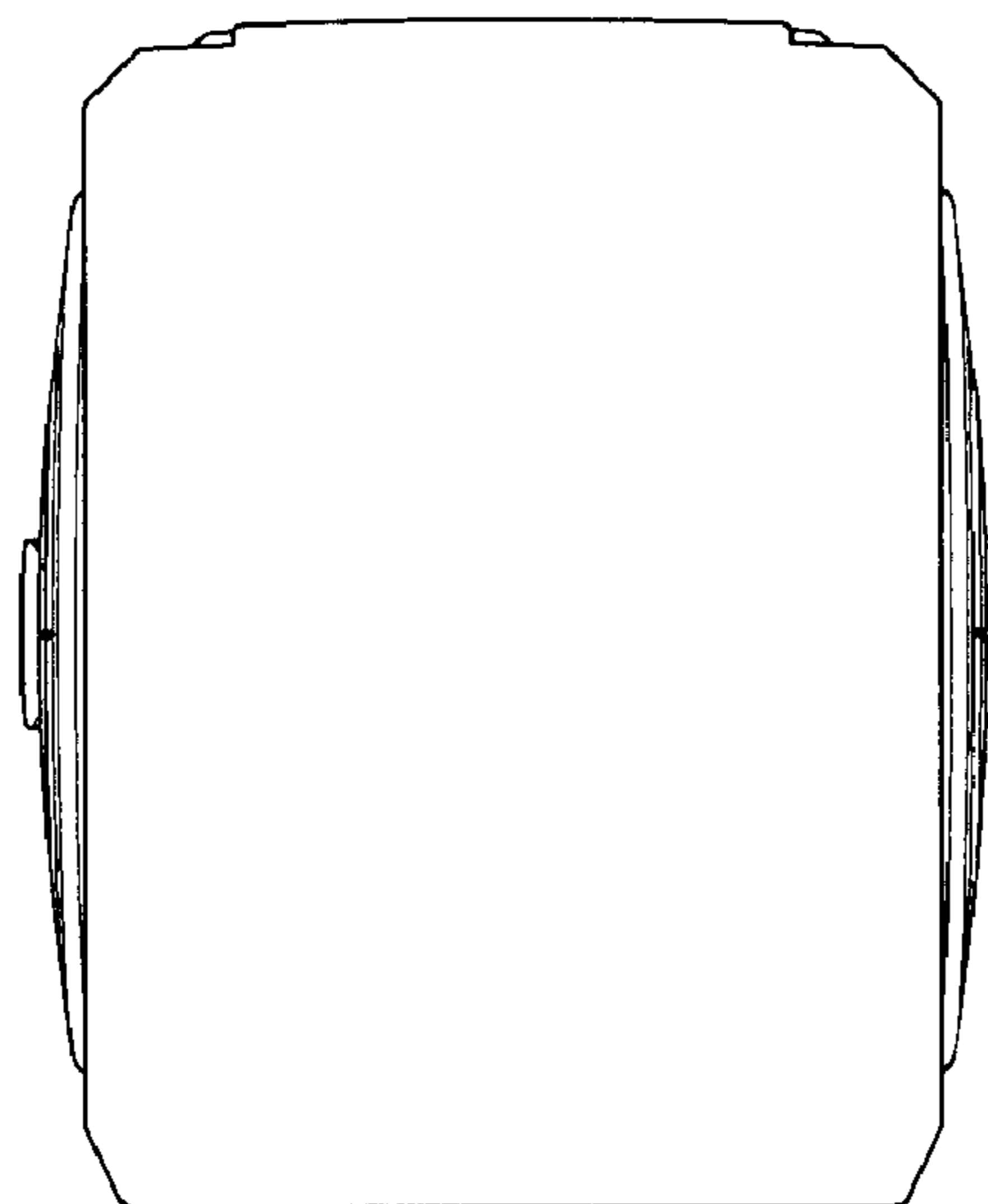


FIG. 7