



US00D512764S

(12) **United States Design Patent** (10) **Patent No.:** **US D512,764 S**
Kohler, Jr. et al. (45) **Date of Patent:** **** Dec. 13, 2005**

(54) **SHOWERHEAD**

Undated Delta catalog ad, p. 58, entitled "Vesi Custom Shower System".

(75) Inventors: **Herbert V. Kohler, Jr.**, Kohler, WI (US); **Howard M. Montgomery**, Sheboygan, WI (US); **Michael S. Smith**, Santa Monica, CA (US)

* cited by examiner

(73) Assignee: **Kohler Co.**, Kohler, WI (US)

Primary Examiner—Robin V. Taylor
(74) *Attorney, Agent, or Firm*—Quarles & Brady LLP

(**) Term: **14 Years**

(57) **CLAIM**

(21) Appl. No.: **29/209,413**

The ornamental design for a showerhead, as shown and described.

(22) Filed: **Jul. 15, 2004**

DESCRIPTION

(51) **LOC (6) Cl.** **23-01**

(52) **U.S. Cl.** **D23/229**

(58) **Field of Search** D23/213, 229,
D23/230; 239/282, 283, 460

In a preferred embodiment, the nature of this product is as a plumbing fixture in the form of a showerhead primary useful for washing body parts.

(56) **References Cited**

FIG. 1 is a left, top, front perspective view of a showerhead according to our new design;

U.S. PATENT DOCUMENTS

FIG. 2 is a front elevational view thereof;

| | | | | | |
|------------|---|---------|--------------|-------|---------|
| D400,839 S | * | 11/1998 | Moore et al. | | D12/190 |
| D487,498 S | * | 3/2004 | Blomstrom | | D23/213 |
| D493,208 S | * | 7/2004 | Lin | | D23/213 |
| D500,121 S | * | 12/2004 | Blomstrom | | D23/213 |
| D501,242 S | * | 1/2005 | Blomstrom | | D23/229 |

FIG. 3 is a top plan view thereof;

FIG. 4 is a left side elevational view thereof, the right side elevational view thereof being a mirror image of the left side shown; and,

OTHER PUBLICATIONS

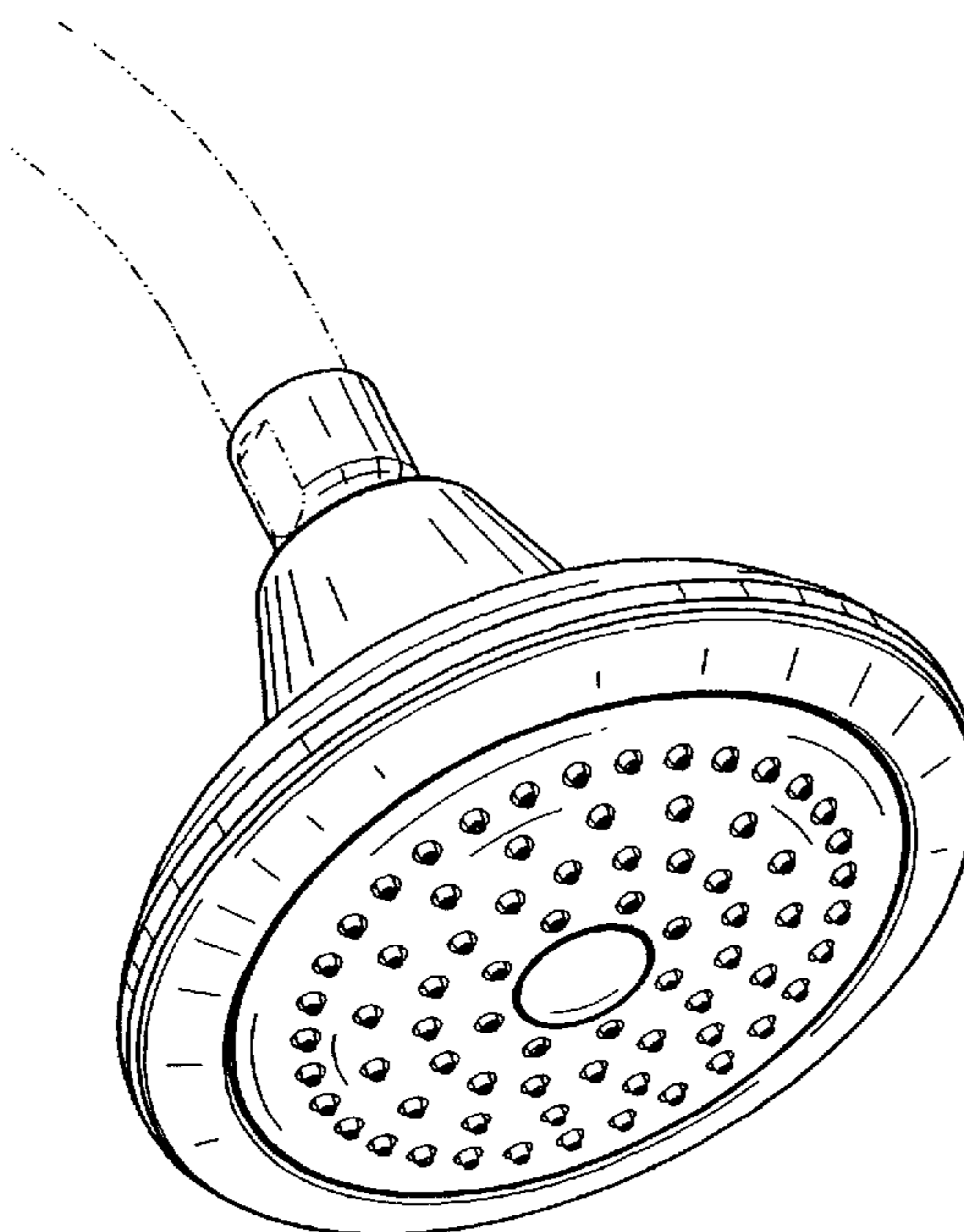
FIG. 5 is a rear elevational view thereof.

Undated Kohler catalog ad, p. 75, entitled "Forte Single Function Showerhead".

The broken line showing is for illustrative purposes only and forms no part of the claimed design.

Aug. 5, 2004 American Standard catalog ad, showing a Town Square showerhead entitled "American Standard Product Details".

1 Claim, 3 Drawing Sheets



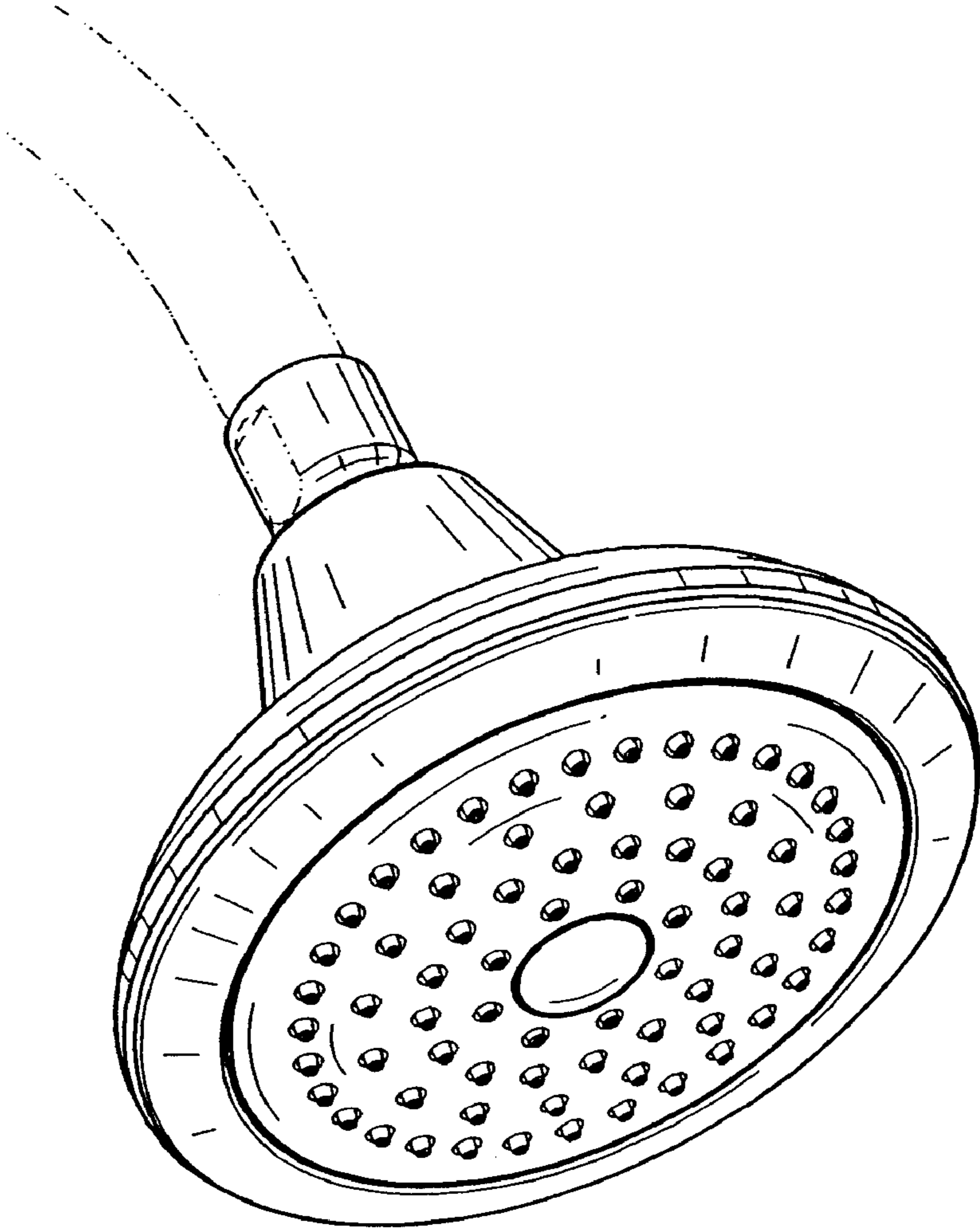


FIG. 1

FIG. 2

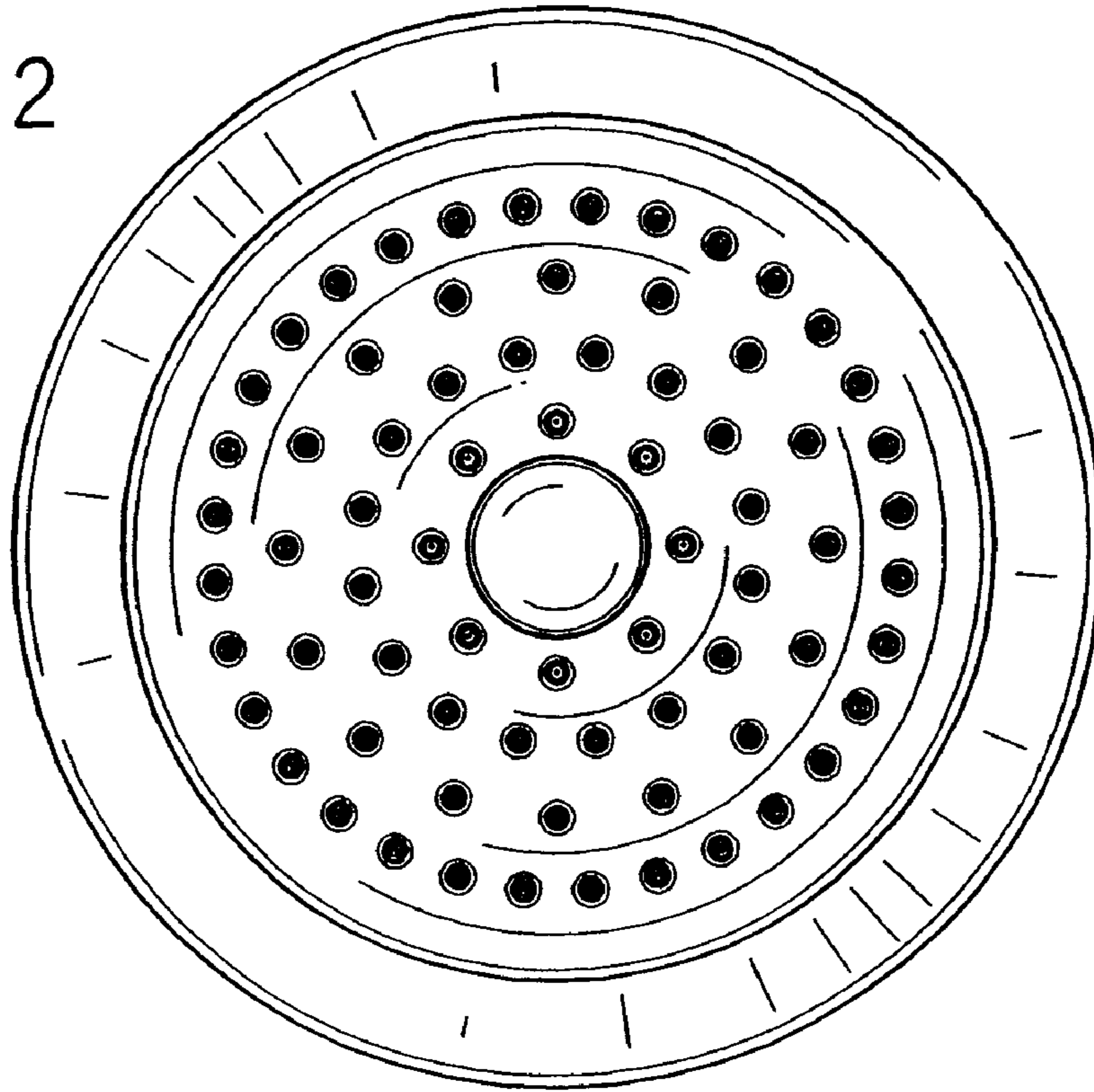


FIG. 3

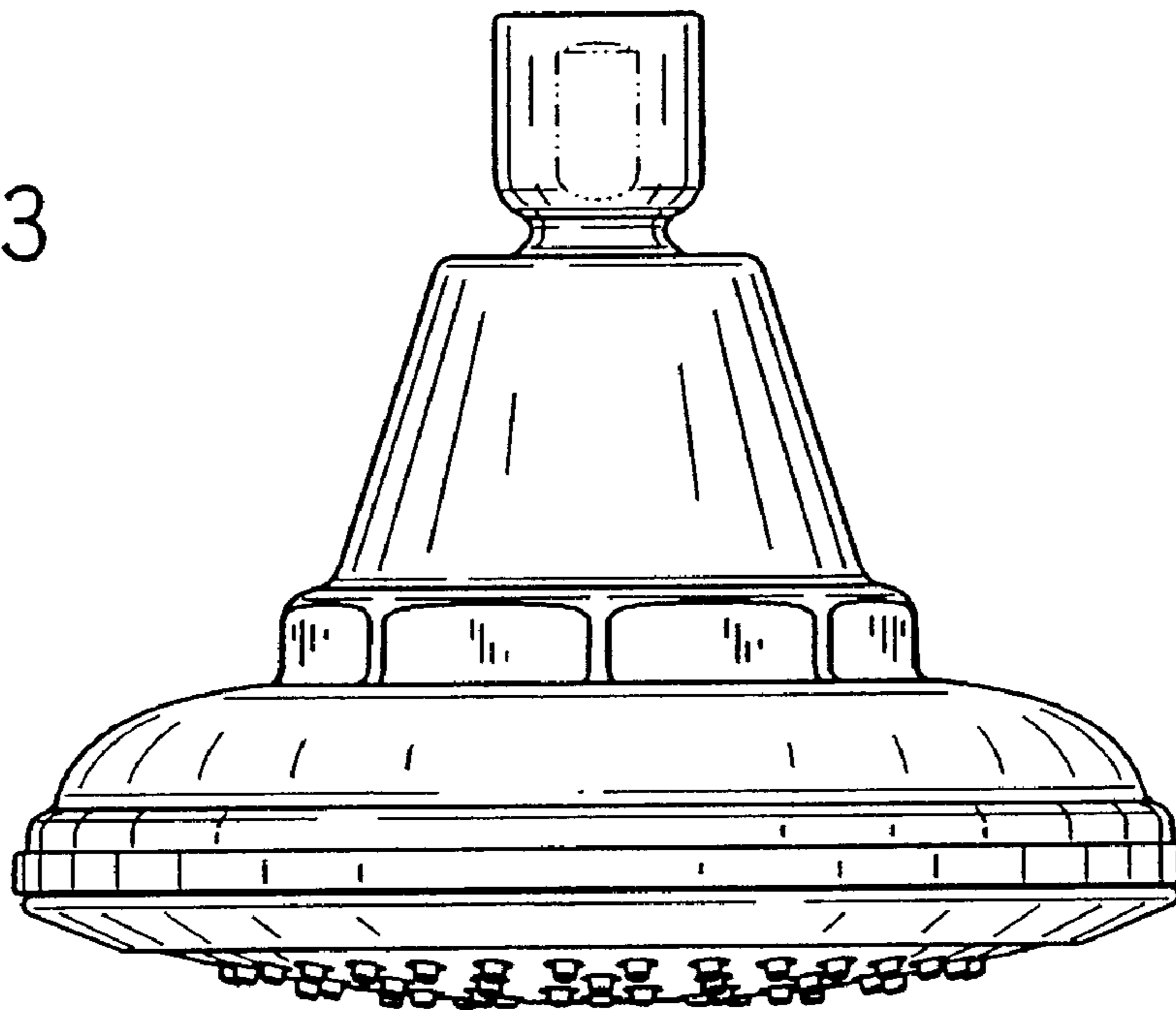


FIG. 4

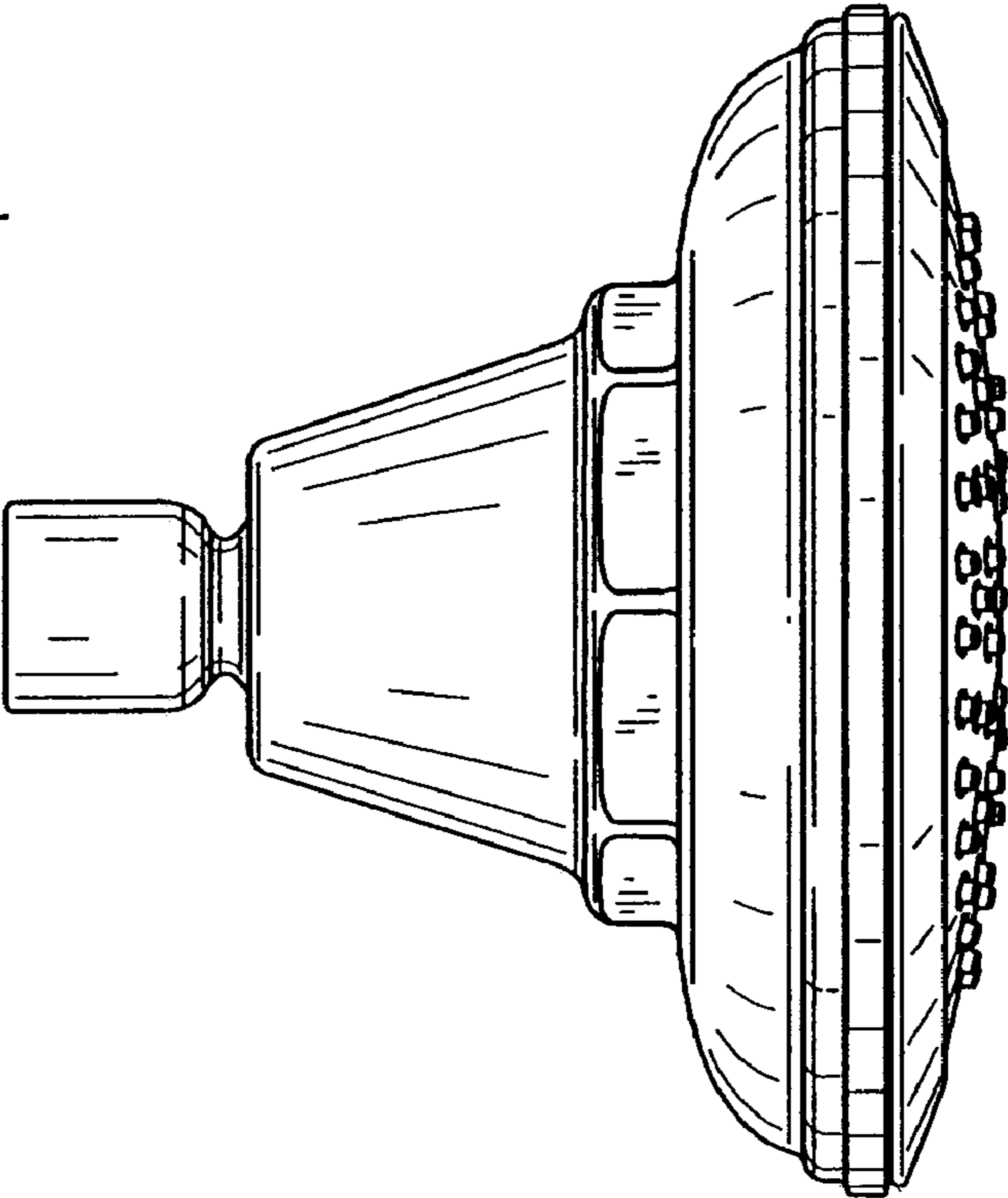


FIG. 5

