

US00D512763S

(12) **United States Design Patent** (10) **Patent No.:** **US D512,763 S**  
**Blomstrom** (45) **Date of Patent:** **\*\* Dec. 13, 2005**

(54) **SHOWERHEAD**

(75) Inventor: **John K. Blomstrom**, Sheboygan Falls, WI (US)

(73) Assignee: **Kohler Co.**, Kohler, WI (US)

(\*\*) Term: **14 Years**

(21) Appl. No.: **29/208,602**

(22) Filed: **Jun. 30, 2004**

(51) **LOC (6) Cl.** ..... **23-01**

(52) **U.S. Cl.** ..... **D23/229**

(58) **Field of Search** ..... D23/213, 229,  
D23/230; 239/282, 283, 460

(56) **References Cited**

**U.S. PATENT DOCUMENTS**

D43,894 S	1/1913	Recker	
D206,515 S	12/1966	Isenberg	
D215,092 S	9/1969	Vicknair et al.	
D328,944 S	8/1992	Robbins	
D400,839 S	* 11/1998	Moore et al.	D12/190
D454,621 S	3/2002	Lord	
D468,800 S	1/2003	Tse	
D475,119 S	5/2003	Colligan et al.	
D487,498 S	* 3/2004	Blomstrom	D23/213
D493,208 S	* 7/2004	Lin	D23/213
D500,121 S	* 12/2004	Blomstrom	D23/213
D501,242 S	* 1/2005	Blomstrom	D23/229

**OTHER PUBLICATIONS**

Kohler; Bath & Powder Room Faucets 2.71, Coordinating Showerheads; catalog.  
FIG. 1 of Pending U.S. Appl. No. 29/174,552, filed Jan. 20, 2003.

FIGS. 1-9 of Pending Patent Application filed Nov. 26, 2003.

Kallista; Hampstead Showerhead and Pressure Balance Valve, P21431, P22215; catalog.

\* cited by examiner

*Primary Examiner*—Robin V. Taylor

(74) *Attorney, Agent, or Firm*—Quarles & Brady LLP

(57) **CLAIM**

The ornamental design for a showerhead, as shown and described.

**DESCRIPTION**

In a preferred embodiment, the nature of this product is as a plumbing fixture in the form of a showerhead primary useful for washing body parts.

FIG. 1 is a left, top perspective view of a showerhead showing my new design;

FIG. 2 is a front elevational view thereof;

FIG. 3 is a left side elevational view thereof, the right side view being a mirror image of the left side shown;

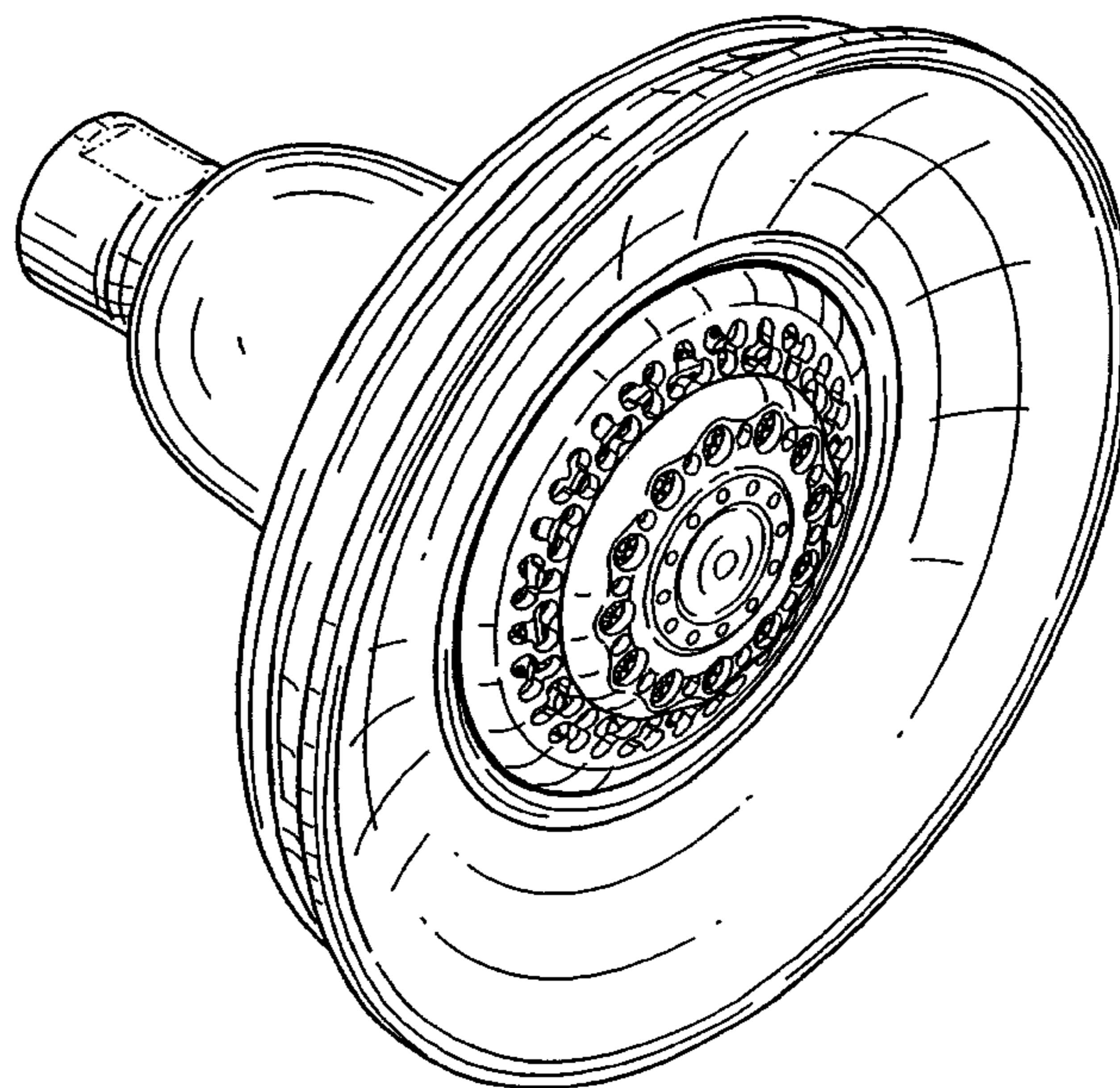
FIG. 4 is a top plan view thereof;

FIG. 5 is a bottom plan view thereof; and,

FIG. 6 is a rear elevational view thereof.

The broken line representations of a flat feature for tightening in FIGS. 1, 4 and 5, inlet opening in FIG. 6, and control tab features in FIGS. 2, 3, 5 and 6 are for the purpose of illustration only, and form no part of the claimed design.

**1 Claim, 4 Drawing Sheets**



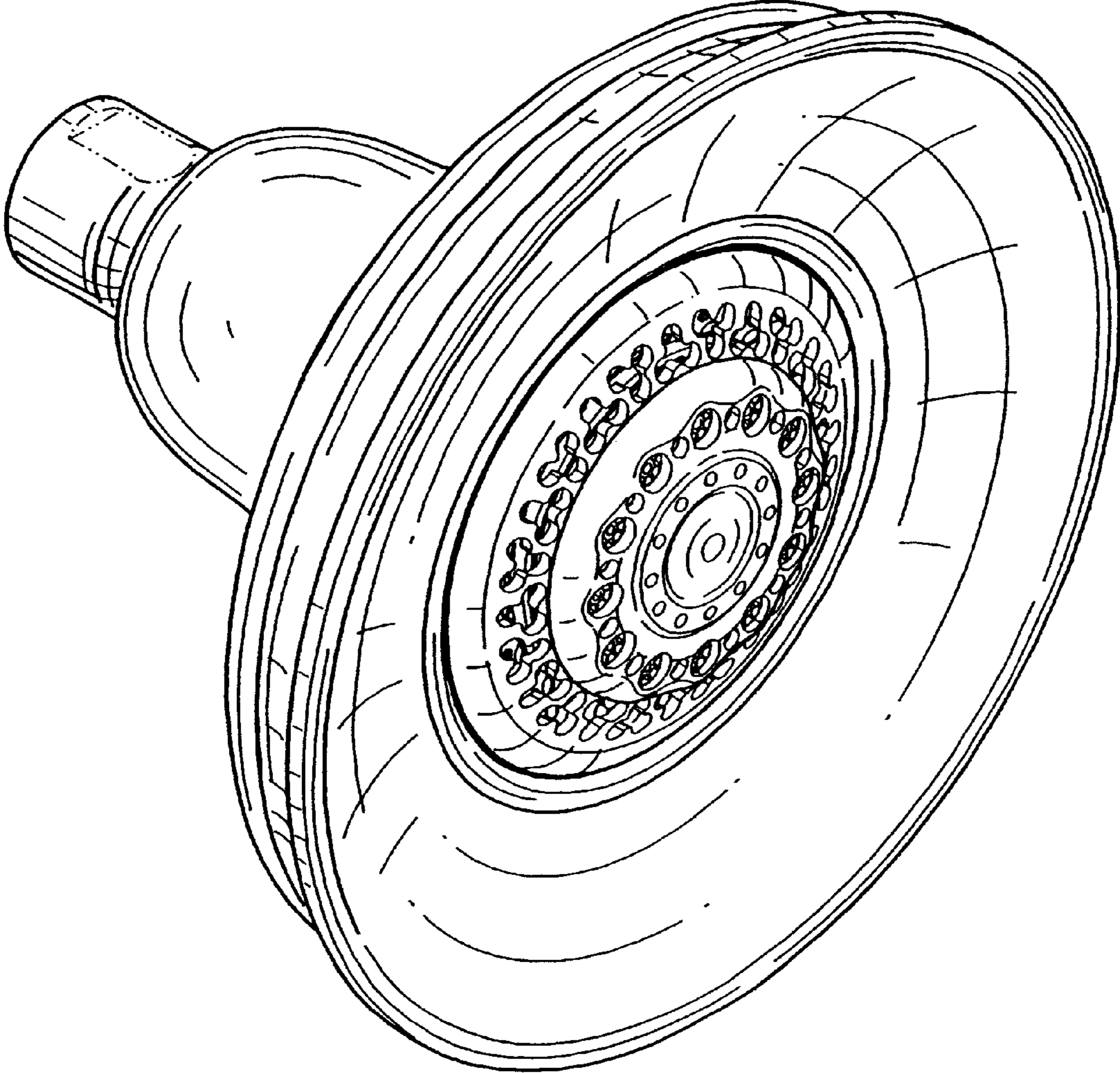


FIG. 1

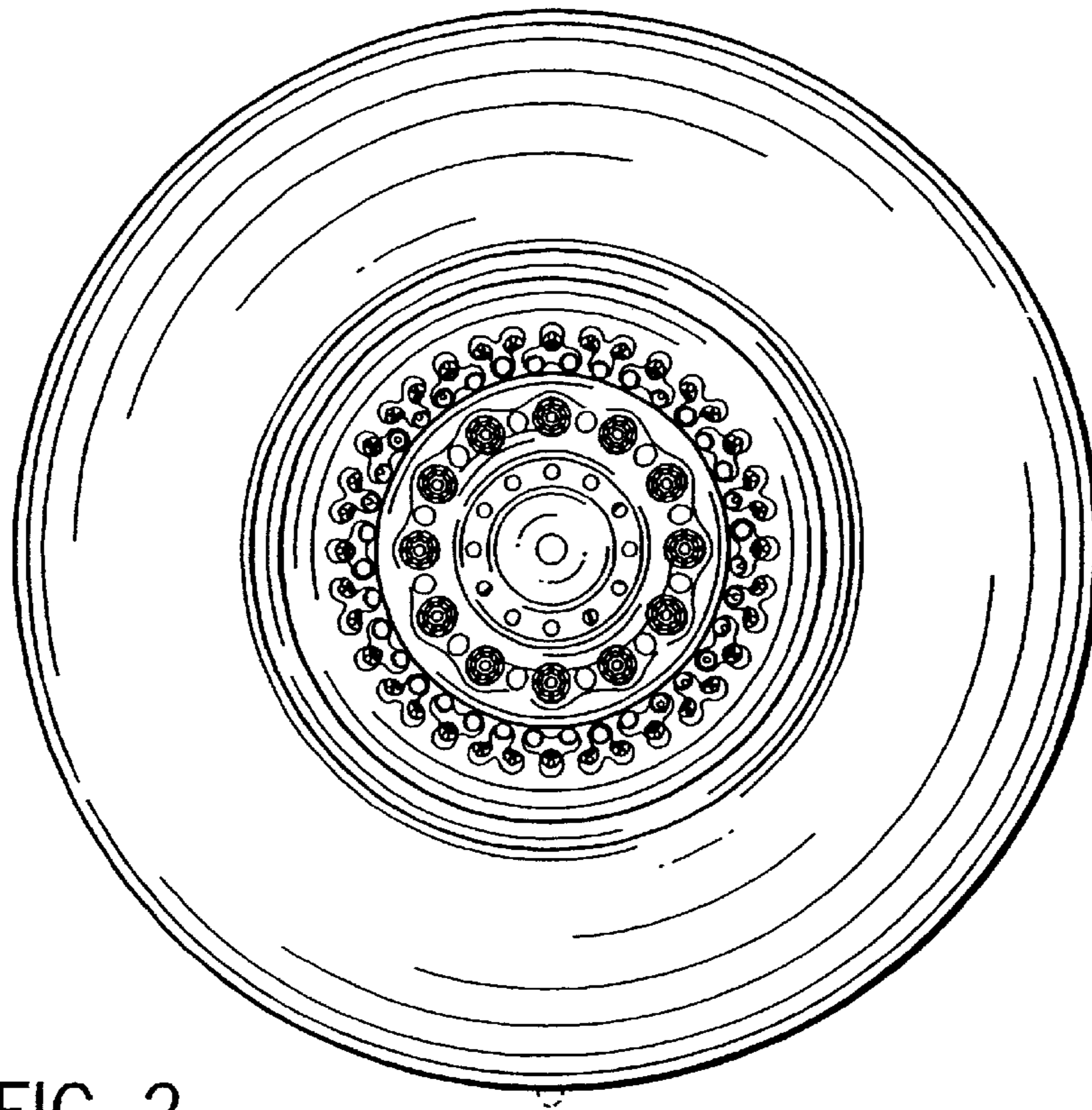


FIG. 2

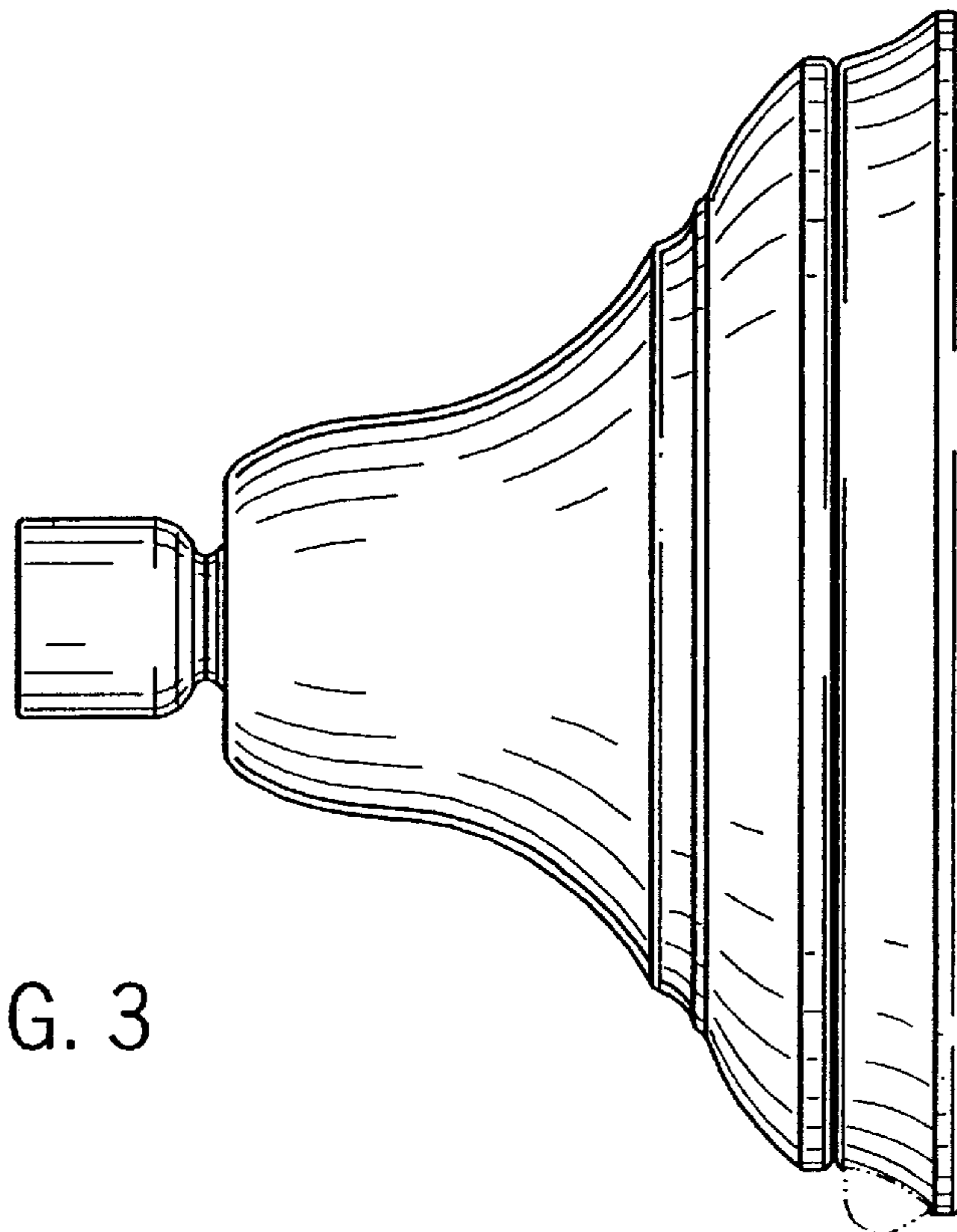


FIG. 3

FIG. 4

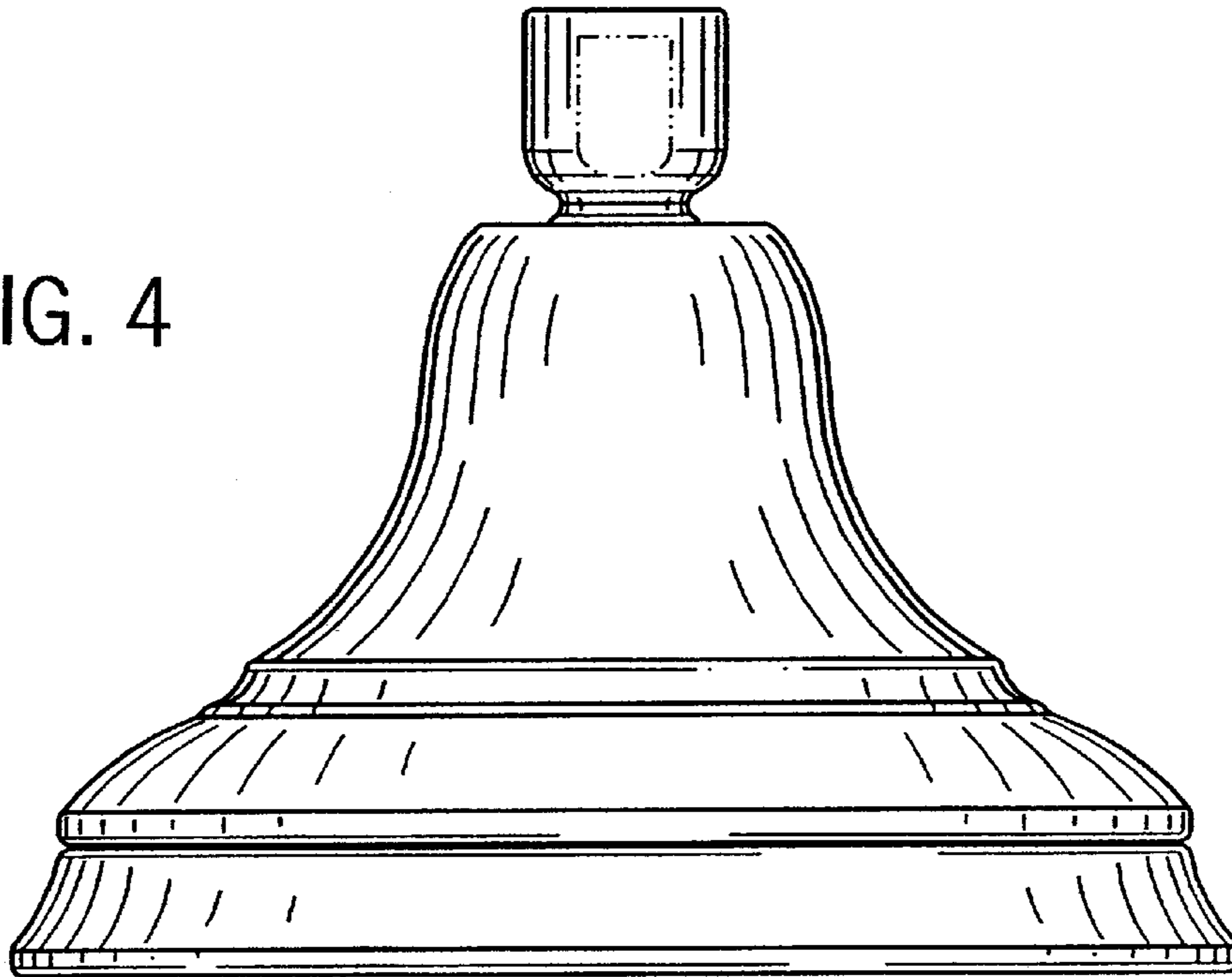


FIG. 5

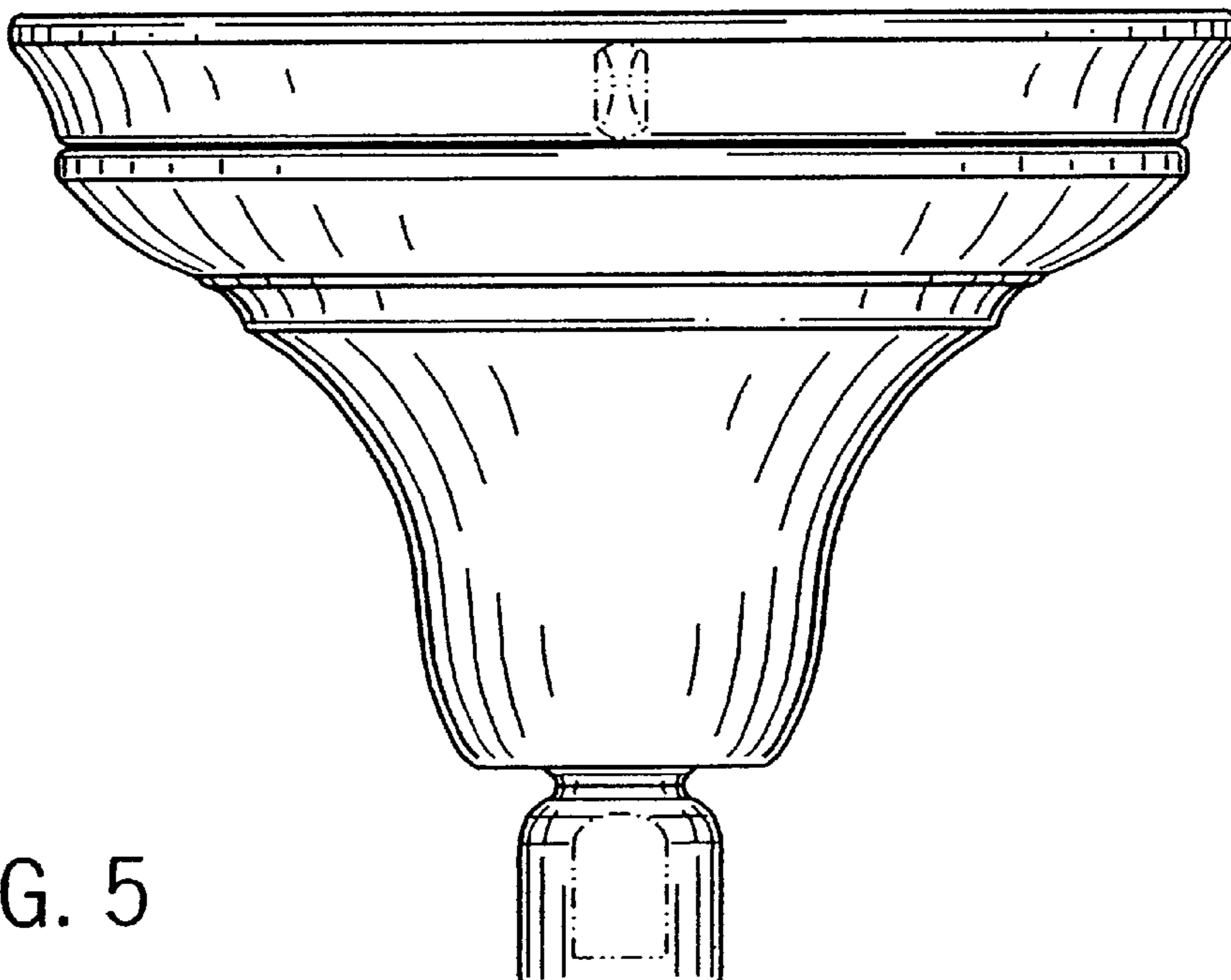


FIG. 6

