



US00D512761S

(12) **United States Design Patent**
Warren

(10) **Patent No.:** **US D512,761 S**

(45) **Date of Patent:** **** Dec. 13, 2005**

(54) **GUN SIGHT**

(75) **Inventor:** **Scott M. Warren**, 15702 Beacon Ct.,
Montclair, VA (US) 22026

(73) **Assignee:** **Scott M. Warren**, Montclair, VA (US)

(**) **Term:** **14 Years**

(21) **Appl. No.:** **29/206,862**

(22) **Filed:** **Jun. 4, 2004**

(51) **LOC (6) Cl.** **22-01**

(52) **U.S. Cl.** **D22/109; D22/110**

(58) **Field of Search** **D22/100, 108-110,**
D22/199; 42/111-113, 124, 134-145; 89/161,
41.19, 200-204; 33/227

6,216,351 B1 4/2001 Flubacher et al.
D447,206 S * 8/2001 Ling, Jr. D22/109
D492,747 S * 7/2004 LoRocco D22/109

OTHER PUBLICATIONS

Wilson Combat 2001 Master Catalog, cover and selected pp.
71-73.

* cited by examiner

Primary Examiner—Louis S. Zarfes

Assistant Examiner—Melanie Levy

(74) *Attorney, Agent, or Firm*—Fay, Sharpe, Fagan,
Minnich & McKee, LLP

(57) **CLAIM**

The ornamental design for a gun sight, as shown and
described.

(56) **References Cited**

U.S. PATENT DOCUMENTS

1,363,553 A	12/1920	Barringer	
D273,217 S	3/1984	Swenson	
D296,227 S	6/1988	Novak	
D301,512 S	6/1989	Novak	
D305,146 S	12/1989	Novak	
D305,561 S	1/1990	Novak	
D315,776 S	3/1991	Novak	
D351,449 S	10/1994	Dagley	
D352,087 S	* 11/1994	Stevens et al. D22/109
5,822,872 A	10/1998	Waki	
D403,734 S	1/1999	Kay	
D407,788 S	* 4/1999	Kay D22/109
6,035,539 A	3/2000	Hollenbach et al.	
D432,618 S	10/2000	Wilson	
D435,080 S	* 12/2000	Ling, Jr. D22/109
D435,282 S	* 12/2000	Ling, Jr. D22/109
D435,625 S	* 12/2000	Ling, Jr. D22/109
D436,393 S	1/2001	Ling, Jr.	

DESCRIPTION

FIG. 1 is a rear perspective view of a gun sight showing my
new design;

FIG. 2 is a top plan view thereof;

FIG. 3 is a rear elevational view thereof the front side
elevational view being a mirror image;

FIG. 4 is a right side elevational view thereof, the left side
elevational view being a mirror image;

FIG. 5 is a rear perspective view of a gun sight showing a
second embodiment of my design;

FIG. 6 is a top plan view of FIG. 5;

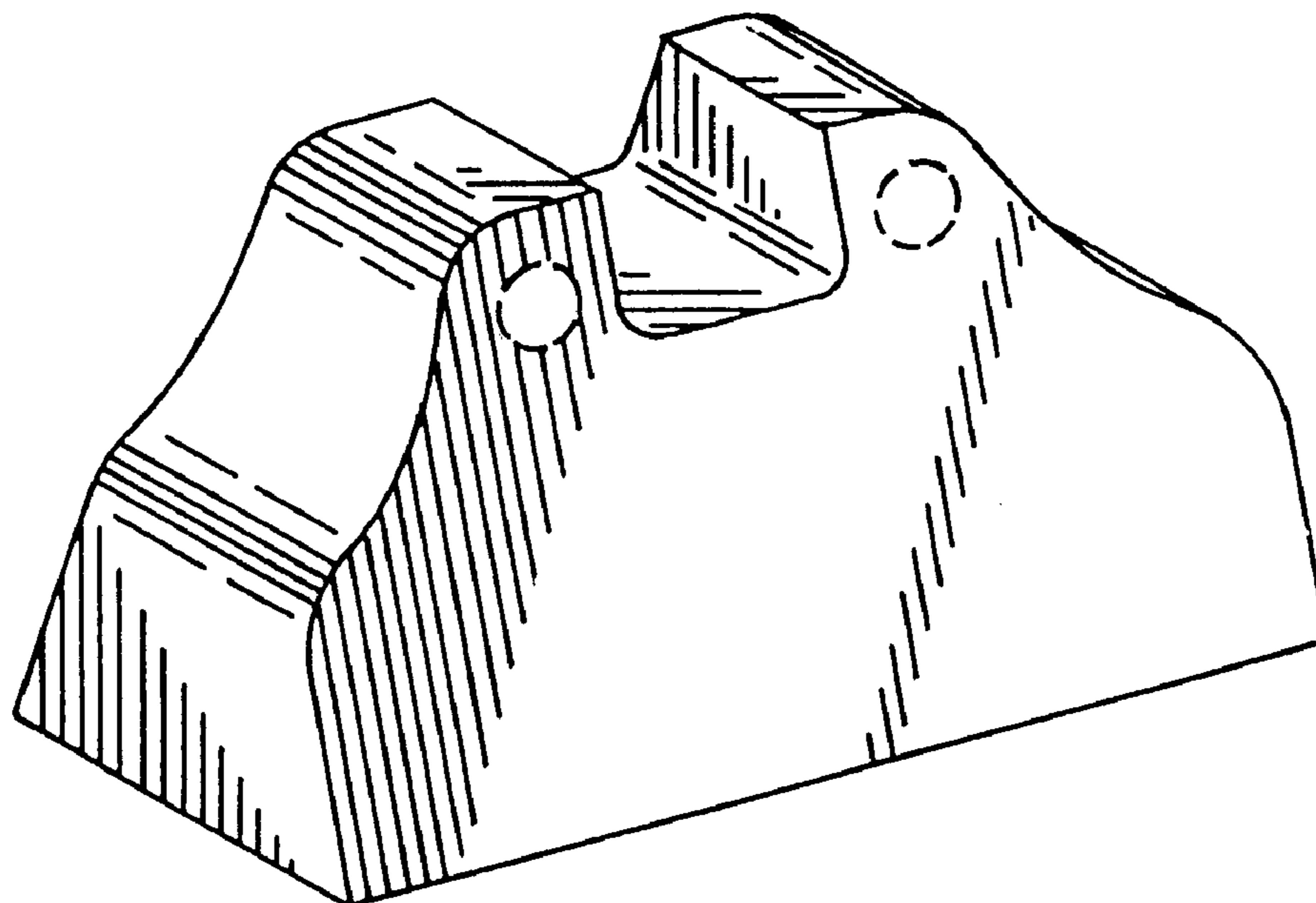
FIG. 7 is a front elevational view of FIG. 5;

FIG. 8 is a right side elevational view of FIG. 5, the left side
being a mirror image; and,

FIG. 9 is a rear elevational view of FIG. 5.

The broken lines are for illustrative purposes only and form
no part of the claimed design.

1 Claim, 2 Drawing Sheets



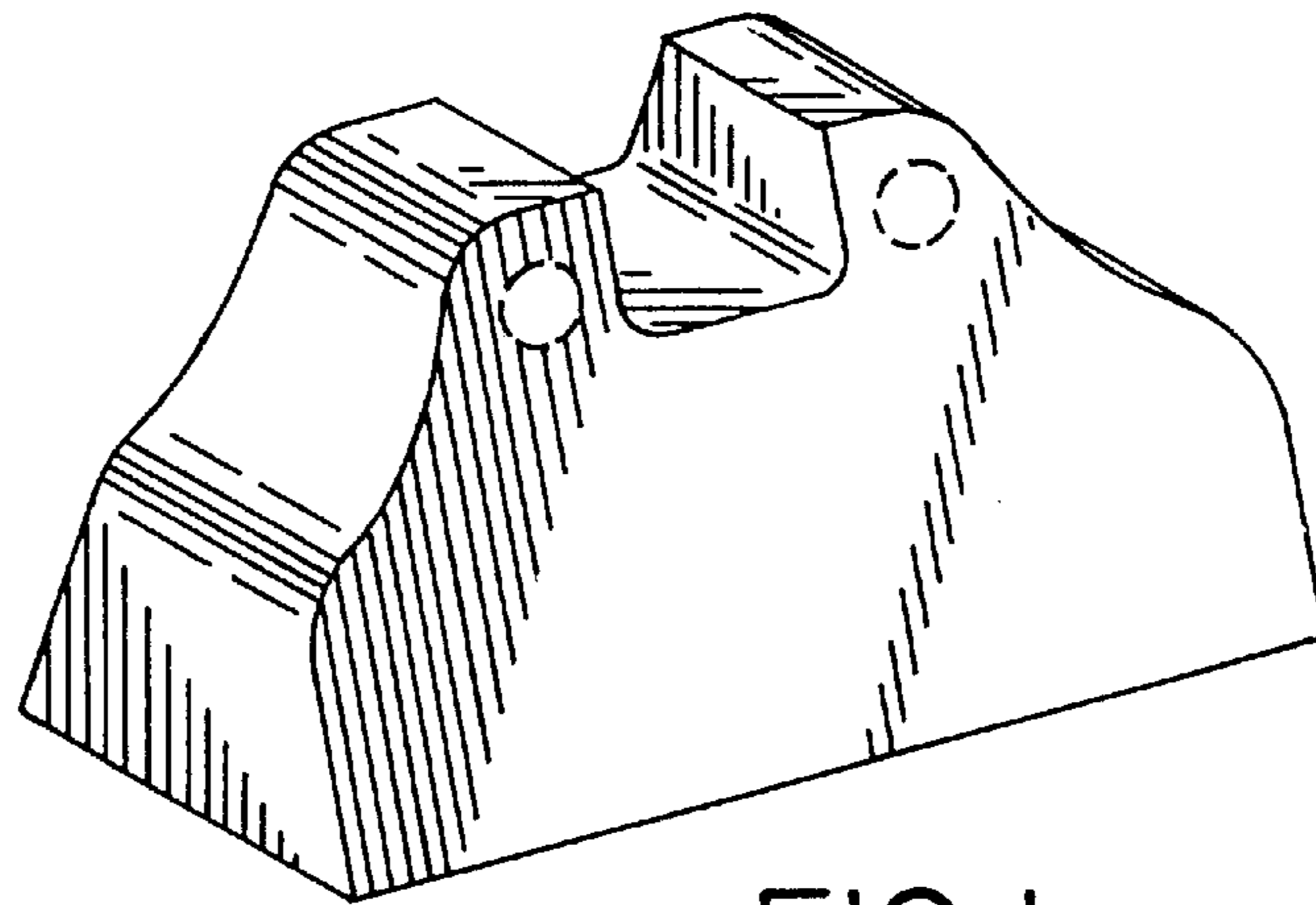


FIG. 1

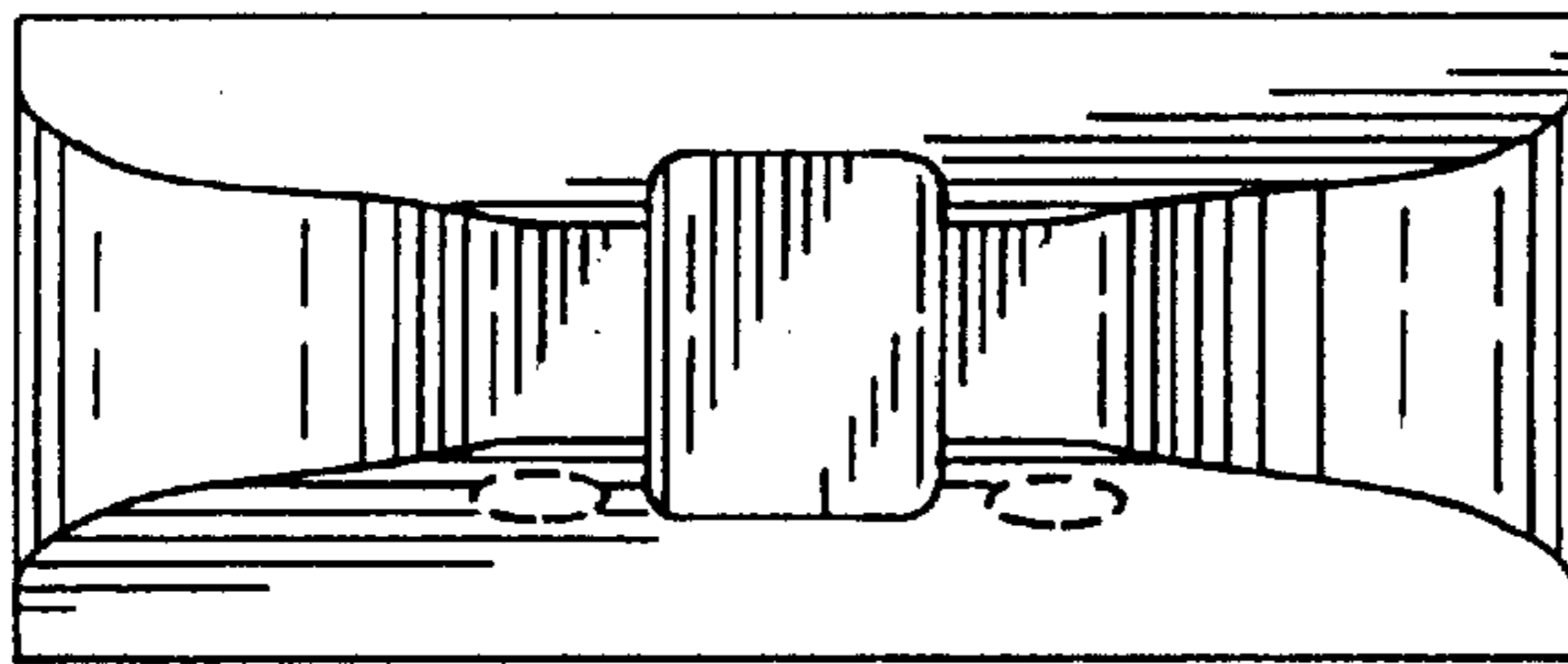


FIG. 2

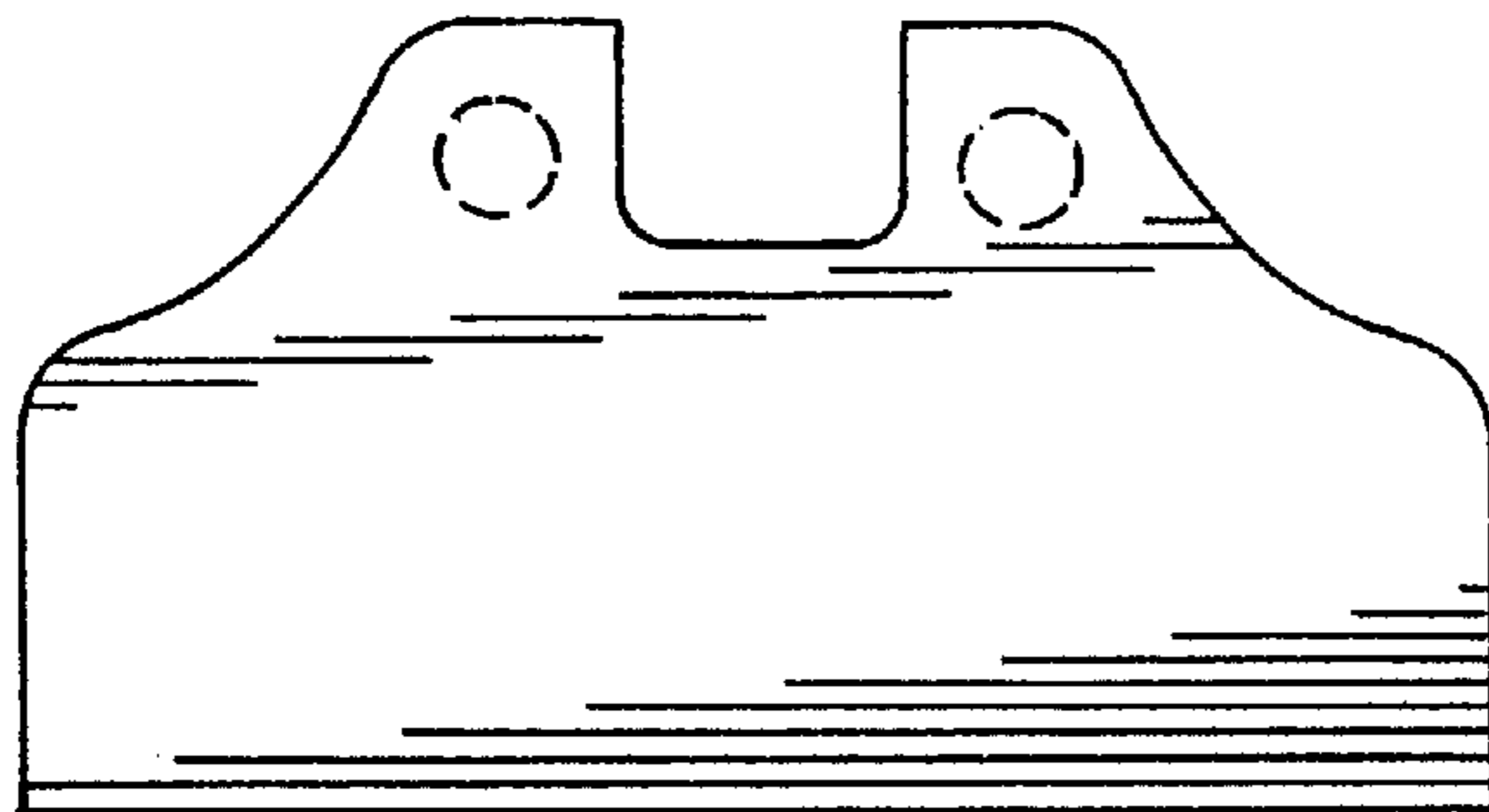


FIG. 3

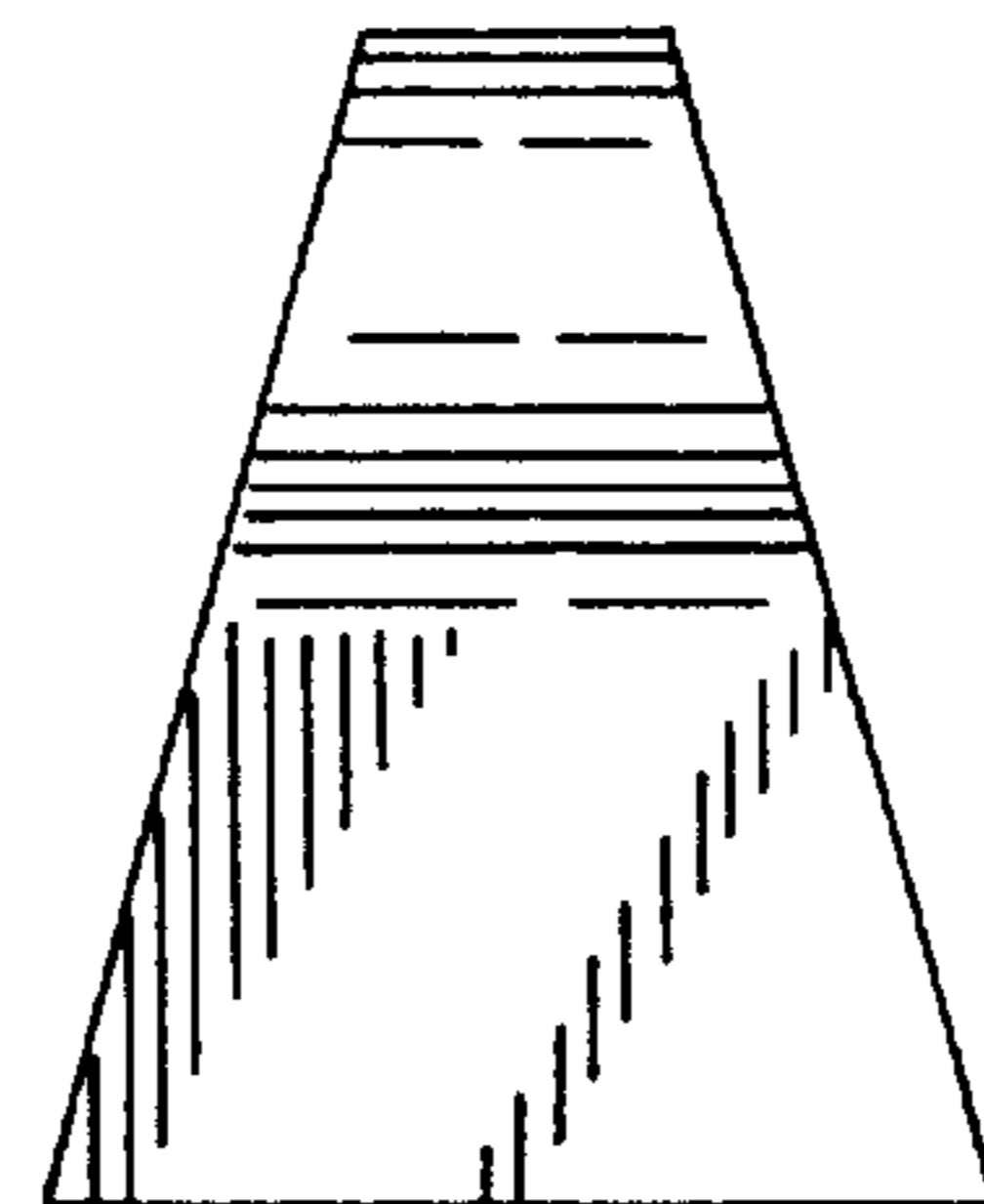


FIG. 4

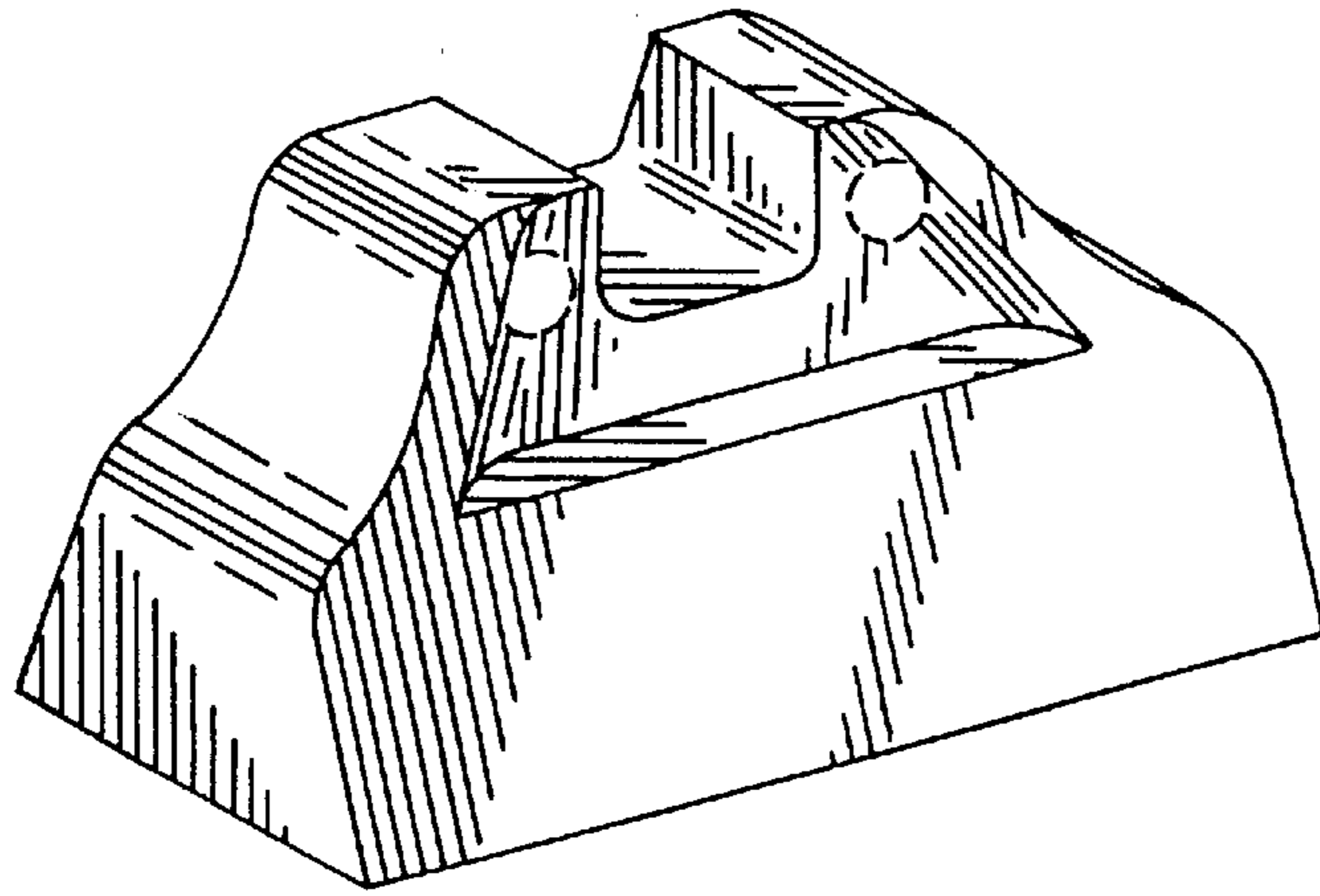


FIG. 5

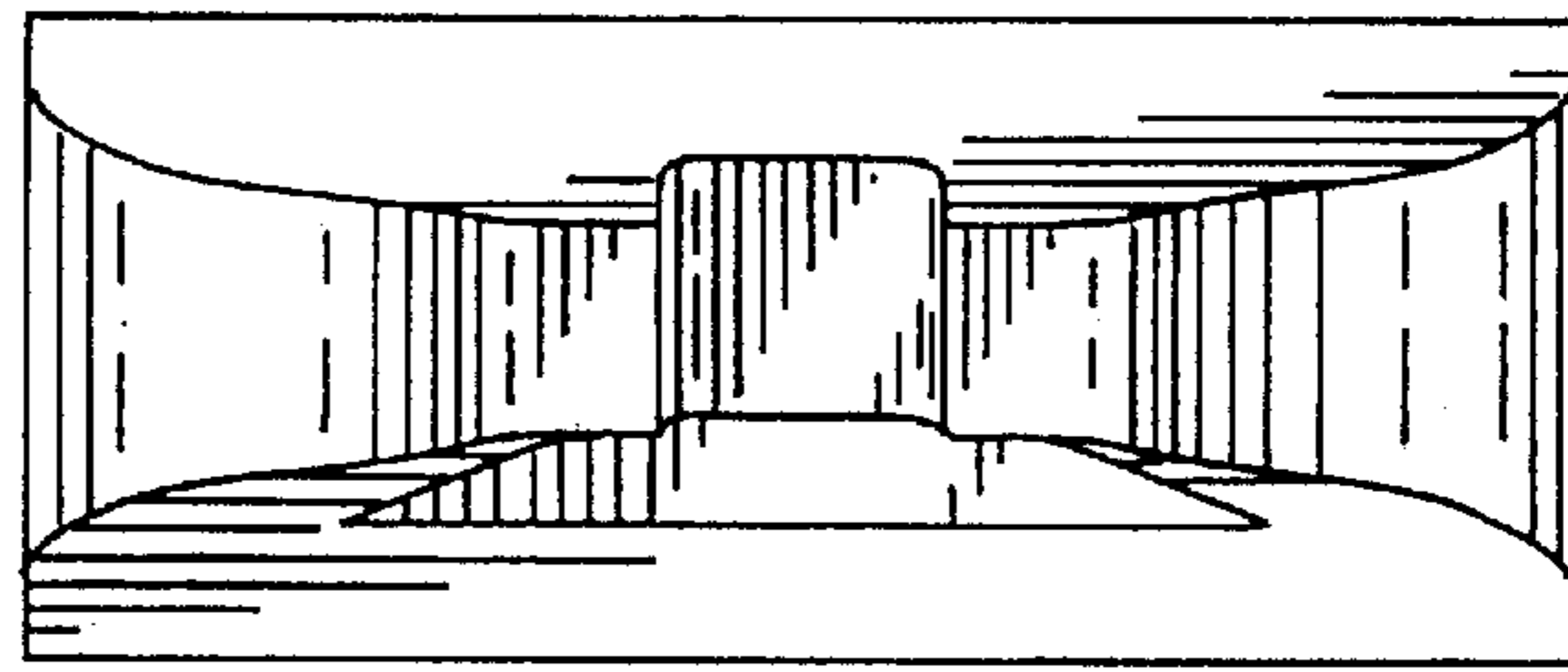


FIG. 6

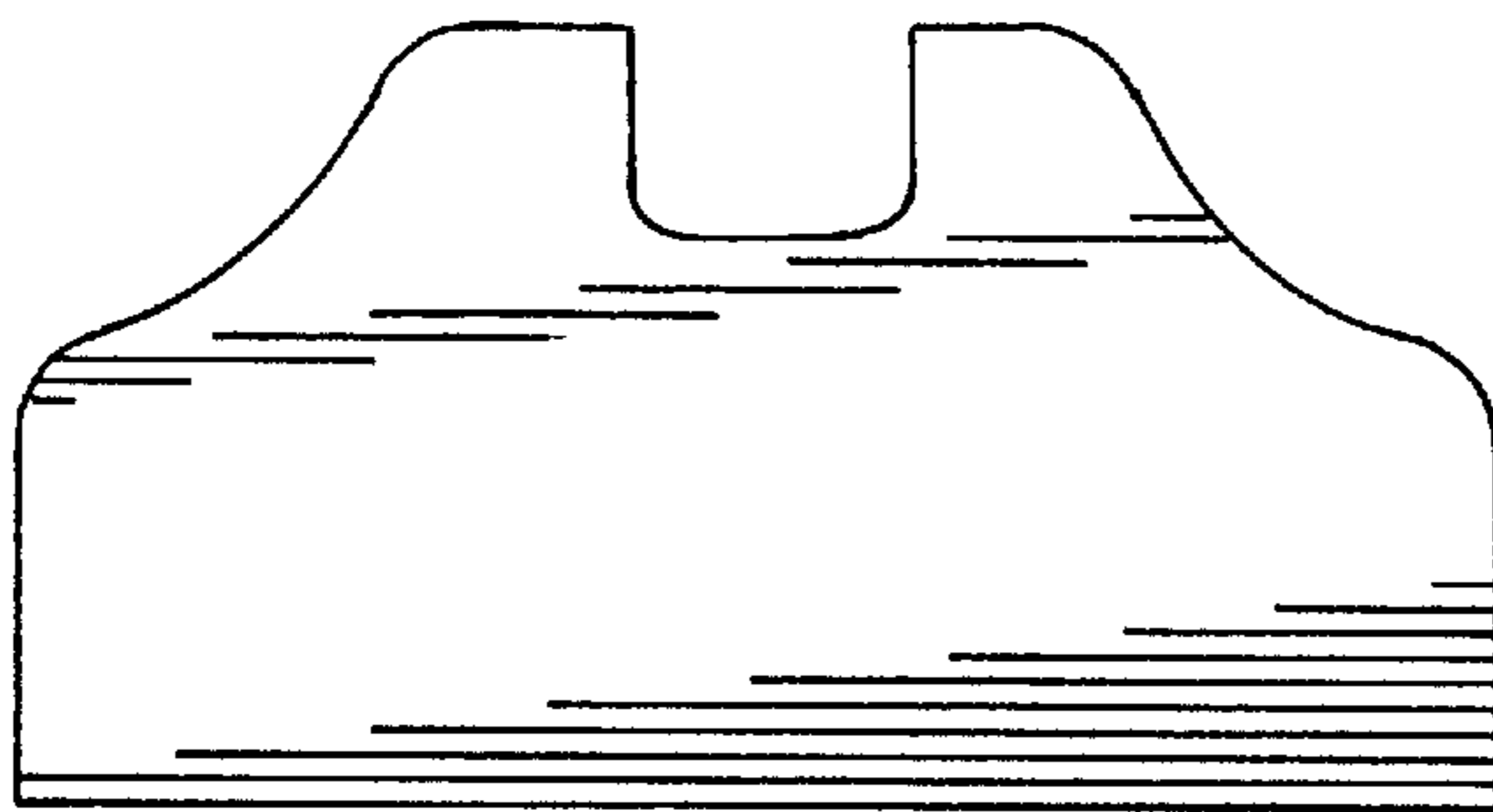


FIG. 7

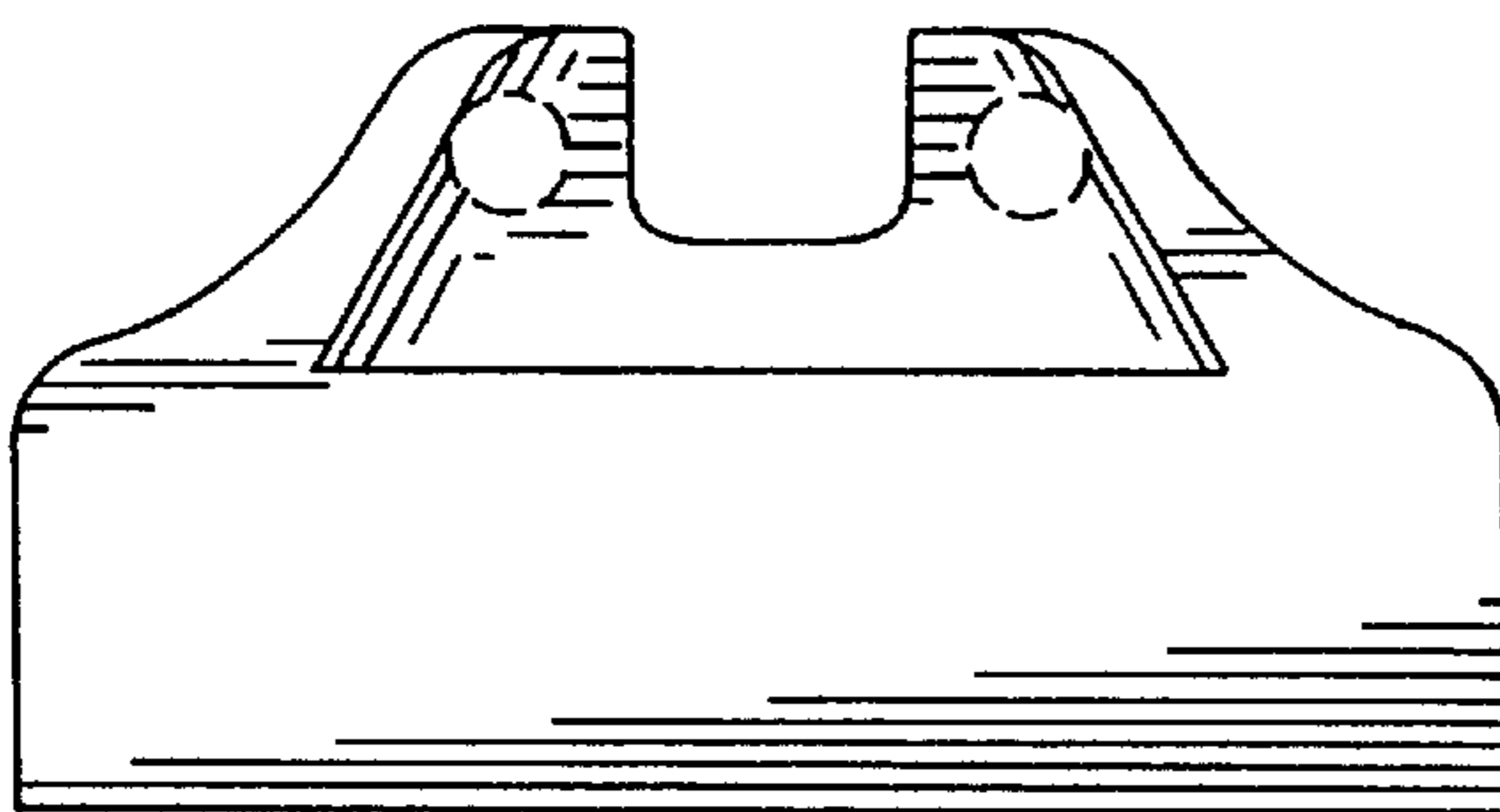


FIG. 9

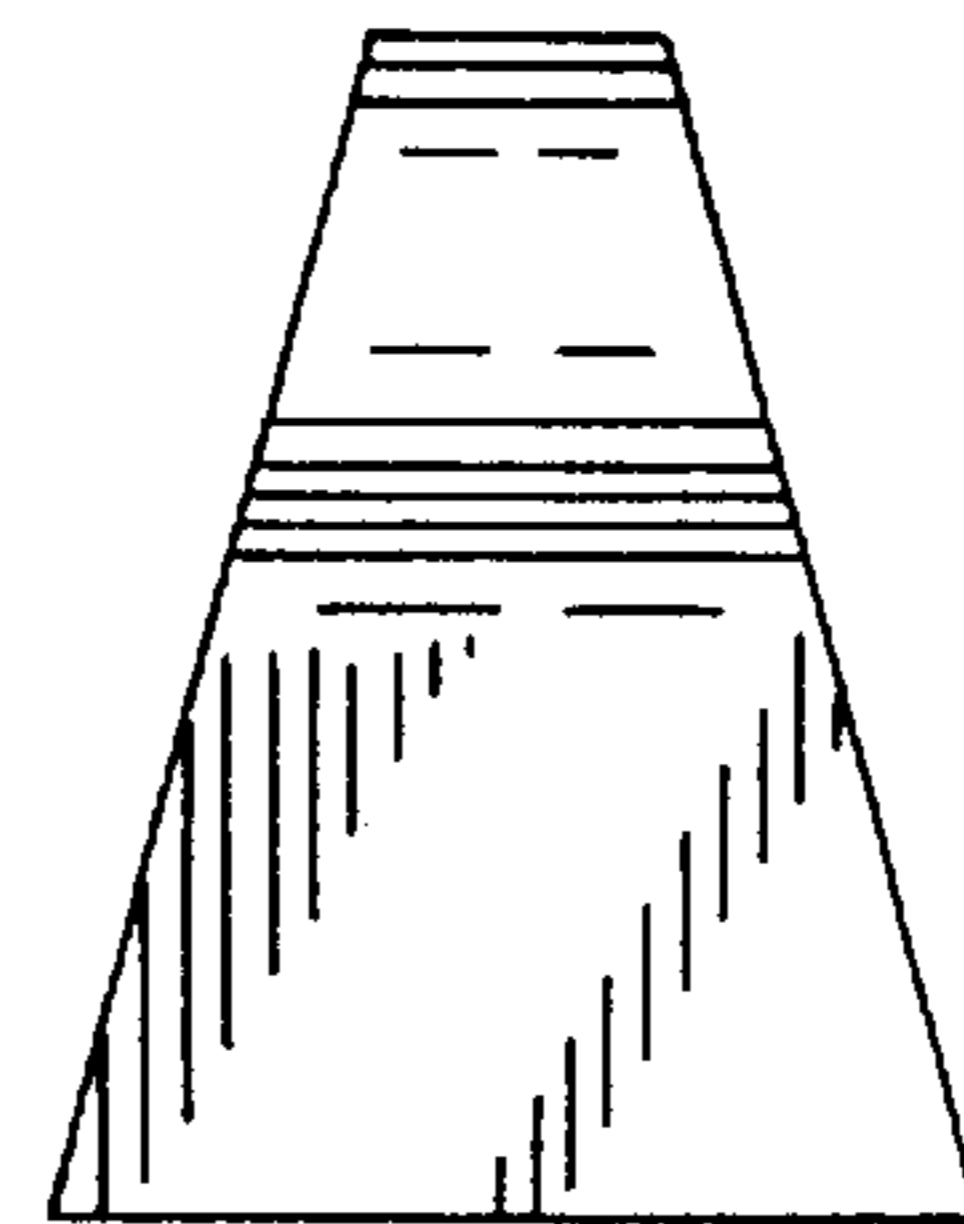


FIG. 8