



US00D512760S

(12) **United States Design Patent** (10) **Patent No.:** **US D512,760 S**
Warren (45) **Date of Patent:** **** Dec. 13, 2005**

(54) **GUN SIGHT**
(75) **Inventor:** **Scott M. Warren**, 15702 Beacon Ct.,
Montclair, VA (US) 22026
(73) **Assignee:** **Scott M. Warren**, Montclair, VA (US)
(**) **Term:** **14 Years**
(21) **Appl. No.:** **29/206,095**
(22) **Filed:** **May 26, 2004**
(51) **LOC (6) Cl.** **22-01**
(52) **U.S. Cl.** **D22/109; D22/110**
(58) **Field of Search** D22/100, 108-110,
D22/199; 42/111-113, 124, 134-145; 89/161,
41.19, 200-204; 33/227

D435,282 S * 12/2000 Ling, Jr. D22/109
D435,625 S * 12/2000 Ling, Jr. D22/109
D436,393 S 1/2001 Ling, Jr.
6,216,351 B1 4/2001 Flubacher et al.
D447,206 S * 8/2001 Ling, Jr. D22/109
D492,747 S * 7/2004 LoRocco D22/109

OTHER PUBLICATIONS

Wilson Combat 2001 Master Catalog, cover and selected pp.
71-73.

* cited by examiner

Primary Examiner—Louis S. Zarfes
Assistant Examiner—Melanie Levy
(74) *Attorney, Agent, or Firm*—Fay, Sharpe, Fagan,
Minnich & McKee, LLP

(57) **CLAIM**

The ornamental design for gun sight, as shown and
described.

(56) **References Cited**

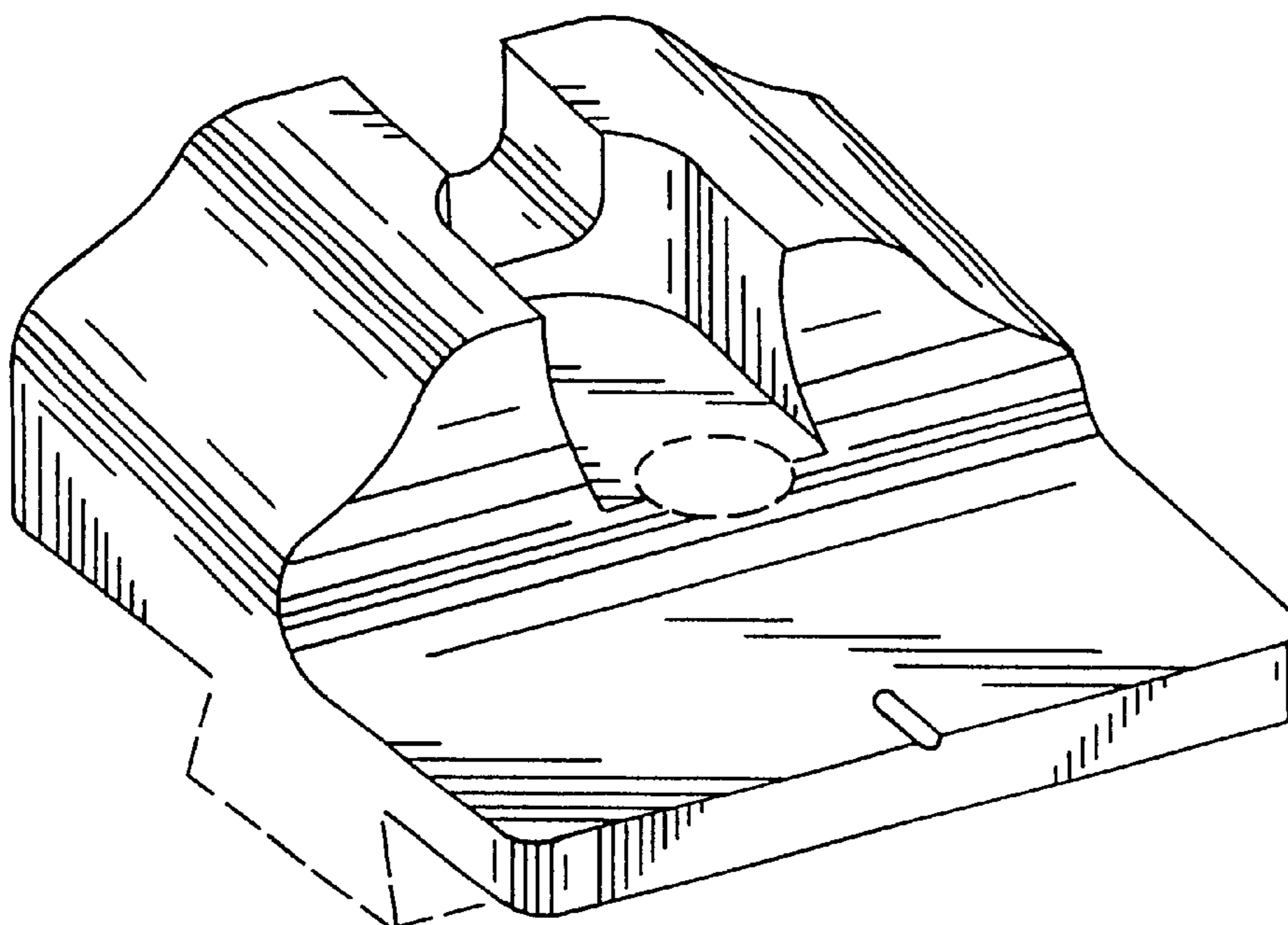
U.S. PATENT DOCUMENTS

1,363,553 A 12/1920 Barringer
D273,217 S 3/1984 Swenson
D296,227 S 6/1988 Novak
D301,512 S 6/1989 Novak
D305,146 S 12/1989 Novak
D305,561 S 1/1990 Novak
D315,776 S 3/1991 Novak
D351,449 S 10/1994 Dagley
D352,087 S * 11/1994 Stevens et al. D22/109
5,822,872 A 10/1998 Waki
D403,734 S 1/1999 Kay
D407,788 S * 4/1999 Kay D22/109
6,035,539 A 3/2000 Hollenbach et al.
D432,618 S 10/2000 Wilson
D435,080 S * 12/2000 Ling, Jr. D22/109

DESCRIPTION

FIG. 1 is a perspective view of a gun sight showing my new
design;
FIG. 2 is a rear elevational view thereof;
FIG. 3 is a front elevational view thereof;
FIG. 4 is a top plan view thereof;
FIG. 5 is a left side elevational view thereof, the right side
elevational view being a mirror image; and,
FIG. 6 is a bottom plan view thereof.
The broken lines are for illustrative purposes only and form
no part of the claimed design.

1 Claim, 2 Drawing Sheets



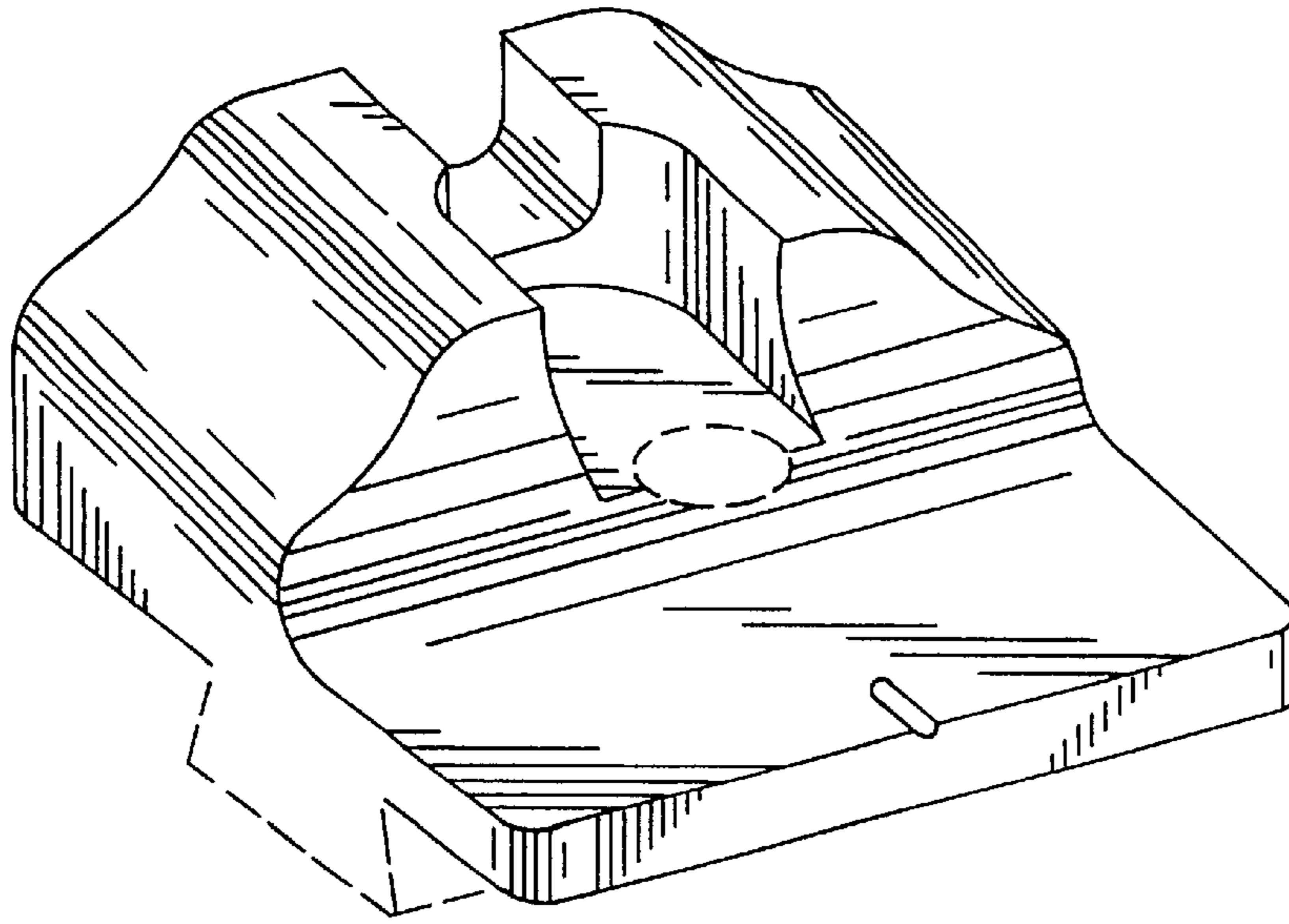


FIG. 1

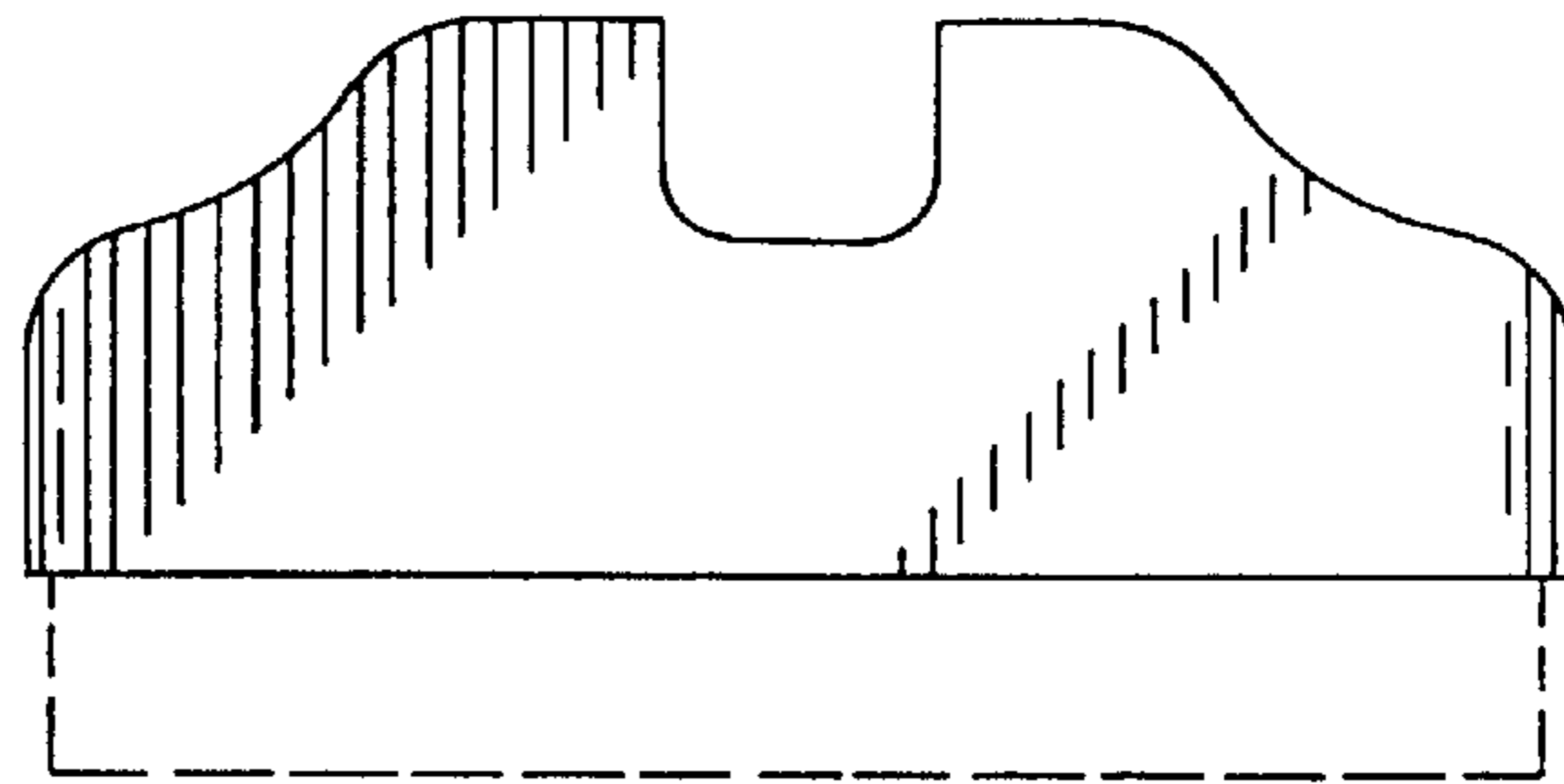


FIG. 2

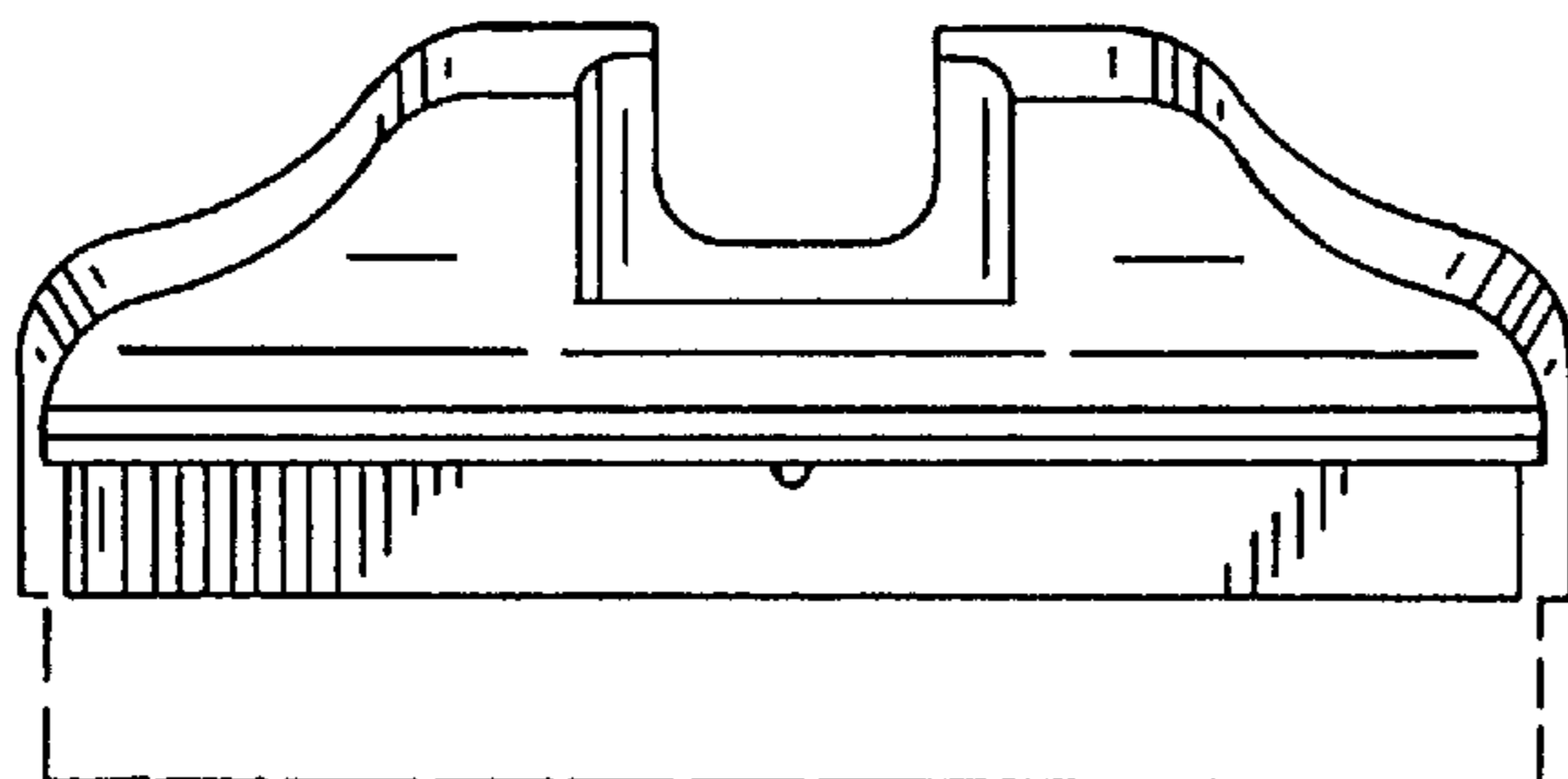


FIG. 3

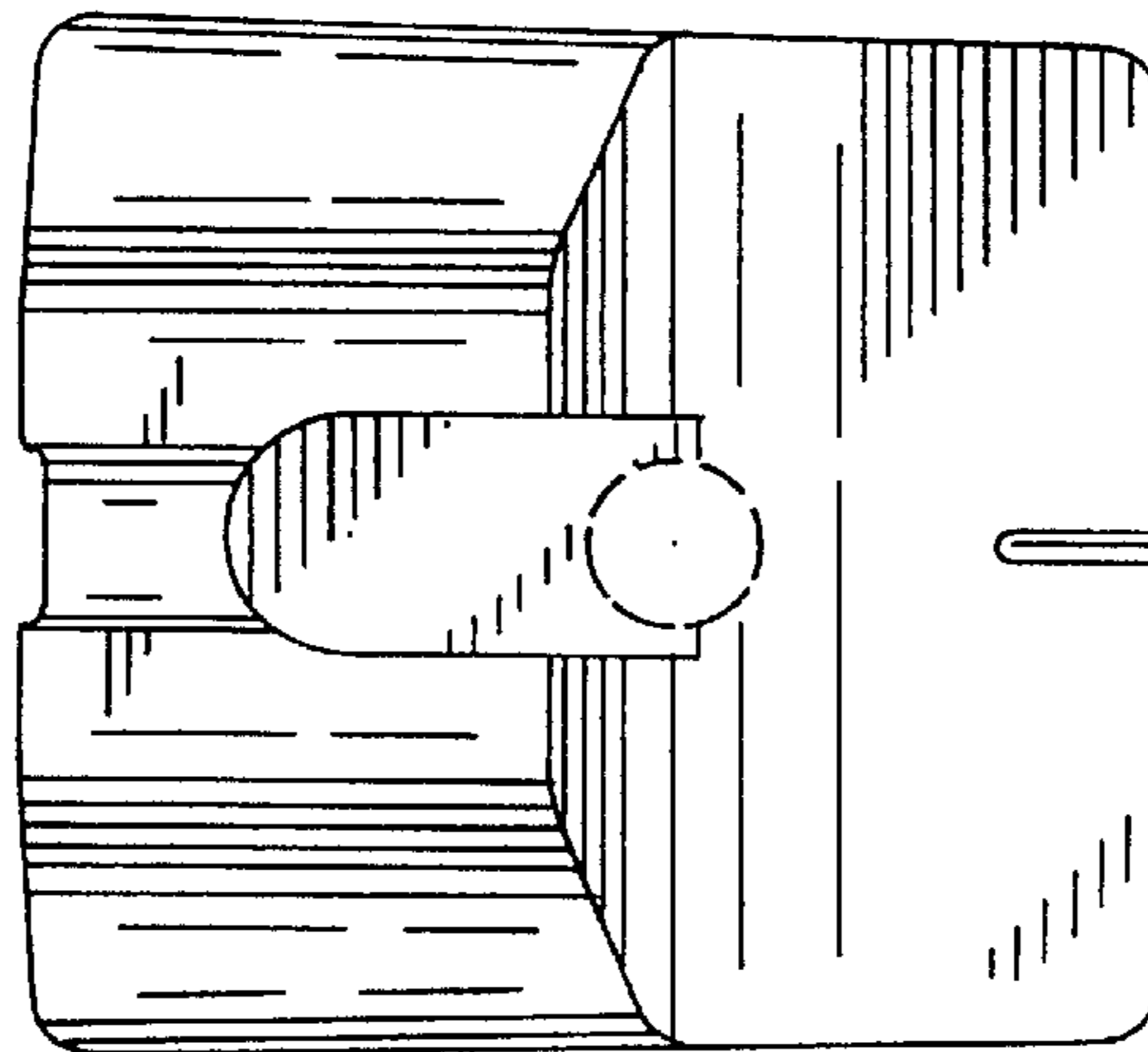


FIG. 4

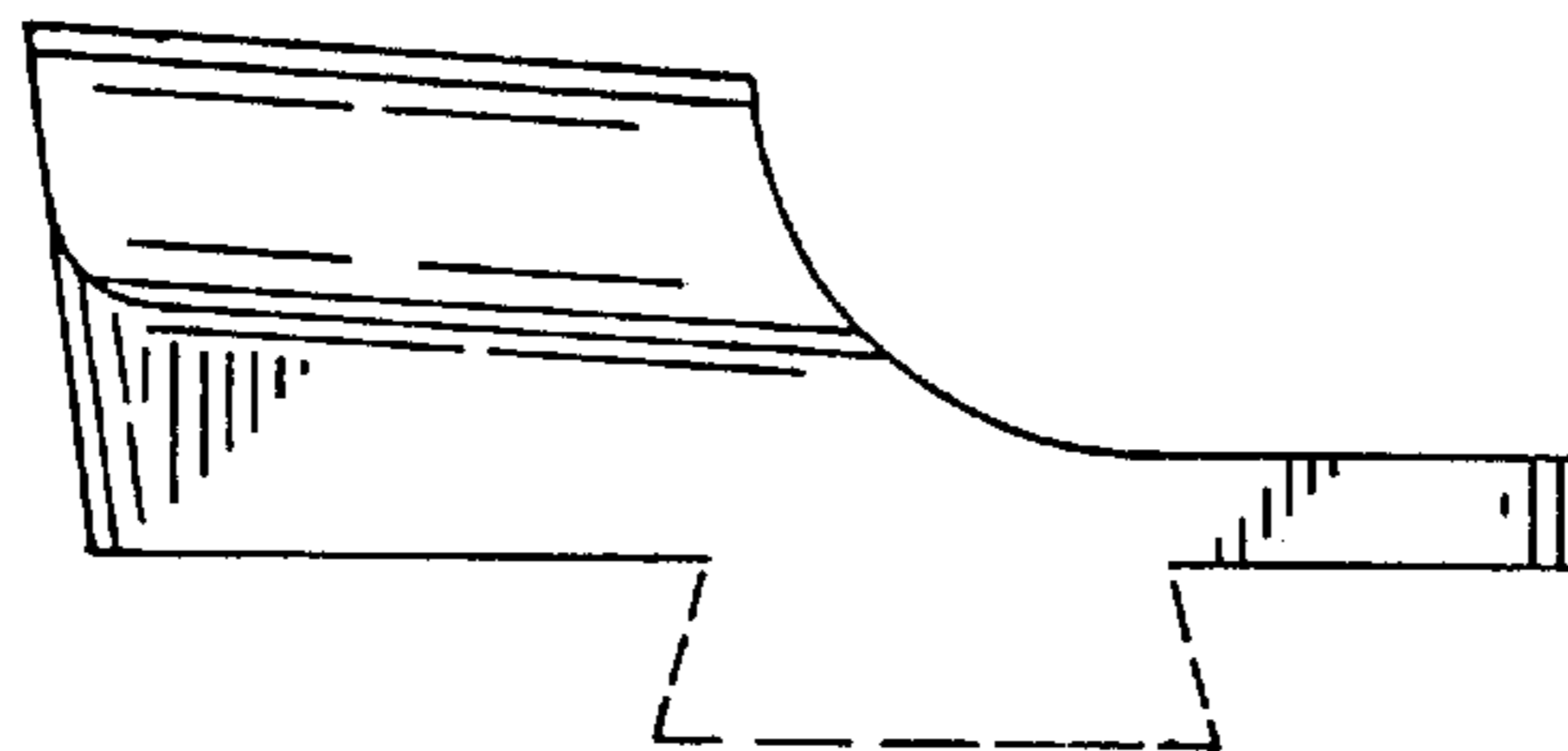


FIG. 5

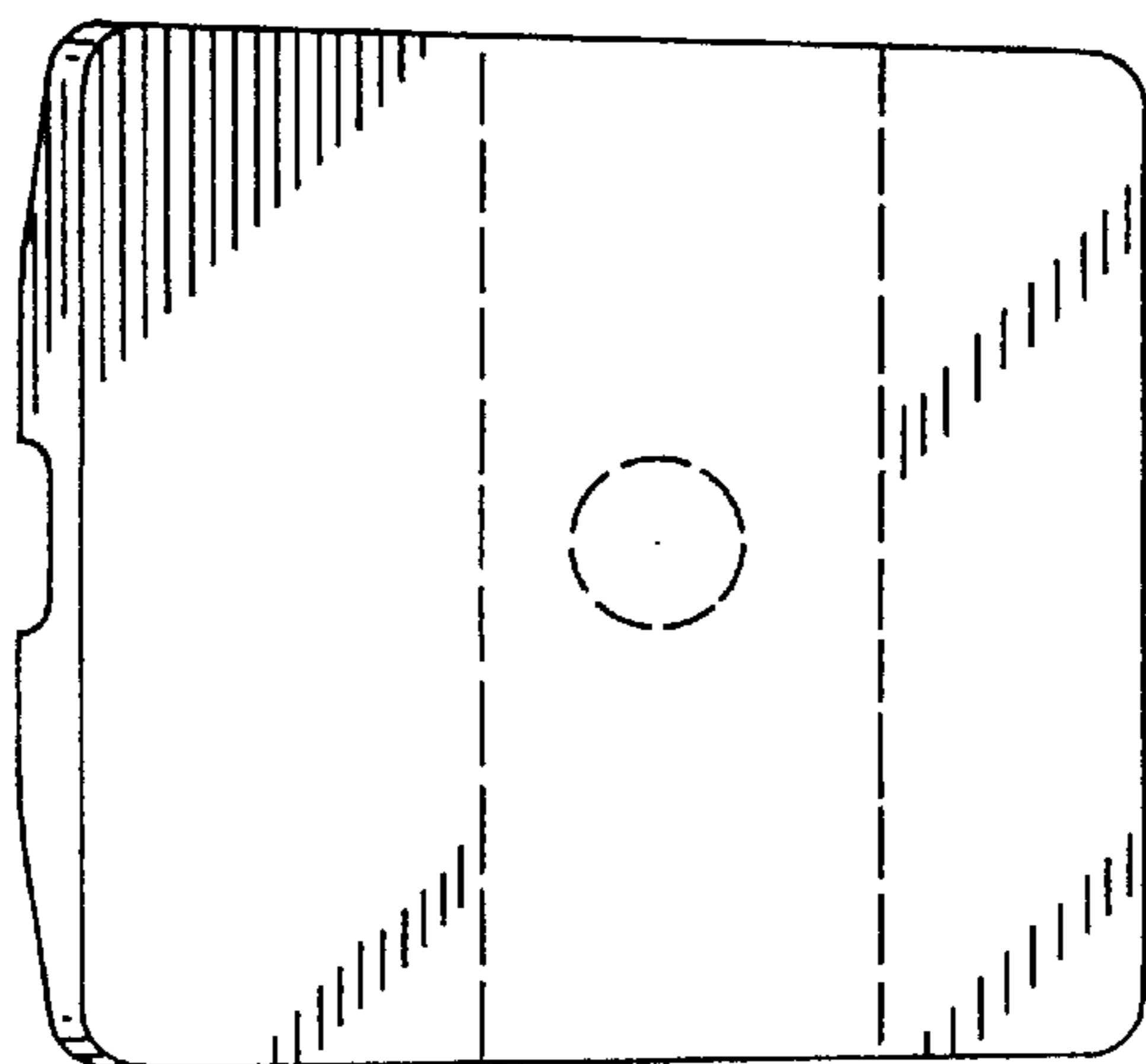


FIG. 6