



US00D512759S

(12) **United States Design Patent**
Carattini

(10) **Patent No.:** **US D512,759 S**

(45) **Date of Patent:** **** Dec. 13, 2005**

(54) **COMBINED POOL TABLE AND AQUARIUM**

(76) **Inventor:** **Abraham Carattini**, P.O. Box 1145,
West Covina, CA (US) 91793

(**) **Term:** **14 Years**

(21) **Appl. No.:** **29/210,113**

(22) **Filed:** **Jul. 26, 2004**

Related U.S. Application Data

(62) Division of application No. 29/166,793, filed on Sep. 3,
2002, now Pat. No. Des. 493,501.

(51) **LOC (6) Cl.** **06-03**

(52) **U.S. Cl.** **D21/783; D30/104; D30/102**

(58) **Field of Search** **D30/101-107;**
D11/145; D6/480, 482; D21/483, 482, 783-784;
40/406-409; 47/69; 119/206, 210, 221-213,
230, 223-228, 242, 245-263, 265-267,
269; 473/1, 4, 6, 7, 10, 22, 28-29, 33

(56) **References Cited**

U.S. PATENT DOCUMENTS

901,206 A * 10/1908 Storey 473/1
D218,047 S * 7/1970 Schwoch et al. D30/104

D231,885 S * 6/1974 Kaphart D6/480
4,027,878 A * 6/1977 Dadbeh 473/29
D260,567 S * 9/1981 Holec D30/104
D271,989 S * 12/1983 Painchaud et al. D21/784
D376,401 S * 12/1996 Lucas et al. D21/784
D426,033 S * 5/2000 Rooks D30/104
D473,278 S * 4/2003 McCormick et al. D21/784
D479,869 S * 9/2003 Carattini D21/783

* cited by examiner

Primary Examiner—Cathy Anne MacCormac

(74) *Attorney, Agent, or Firm*—Boniard I. Brown

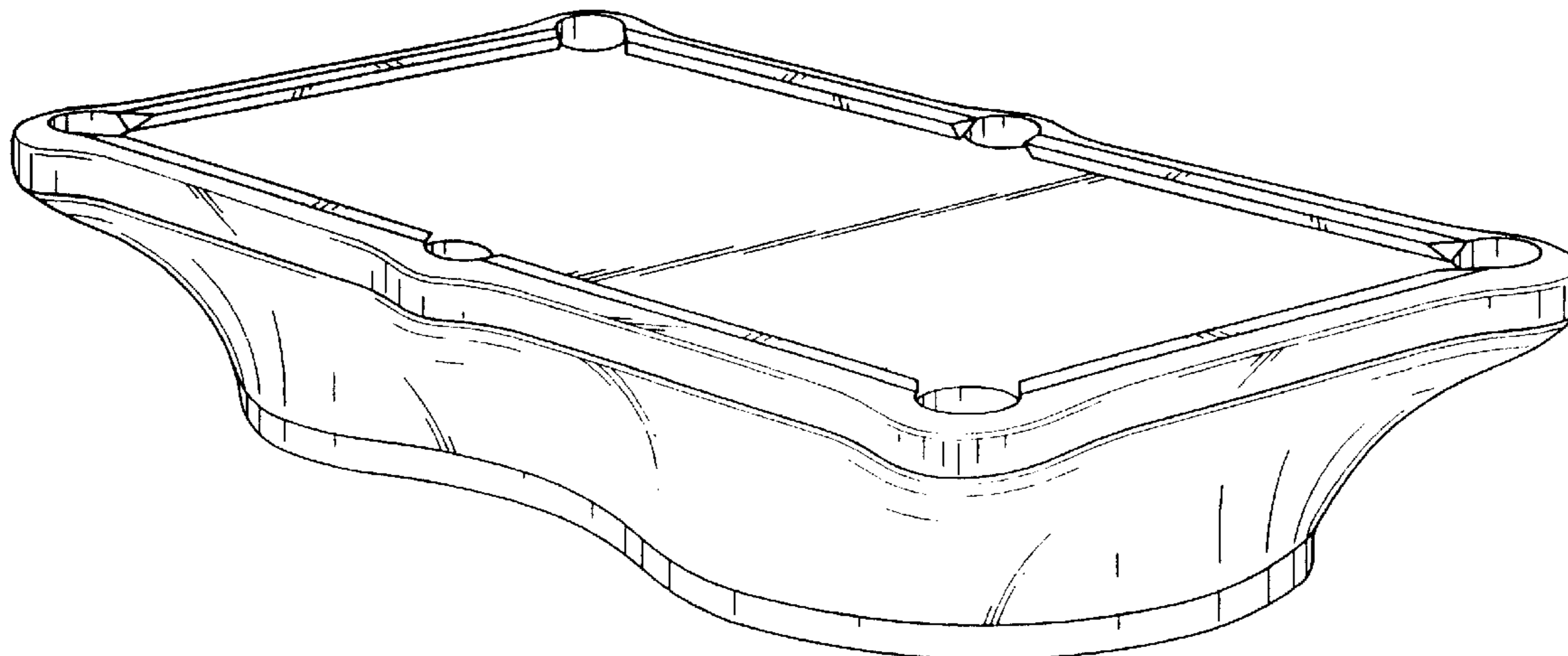
(57) **CLAIM**

The ornamental design for a combined pool table and
aquarium, as shown and described.

DESCRIPTION

FIG. 1 is a perspective view of a combined pool table and
aquarium, showing my new design;
FIG. 2 is a side elevational view thereof, the opposite side
being identical;
FIG. 3 is an end view thereof, the opposite end being
identical; and,
FIG. 4 is a top plan view thereof.
The bottom view is specifically disclaimed.

1 Claim, 2 Drawing Sheets



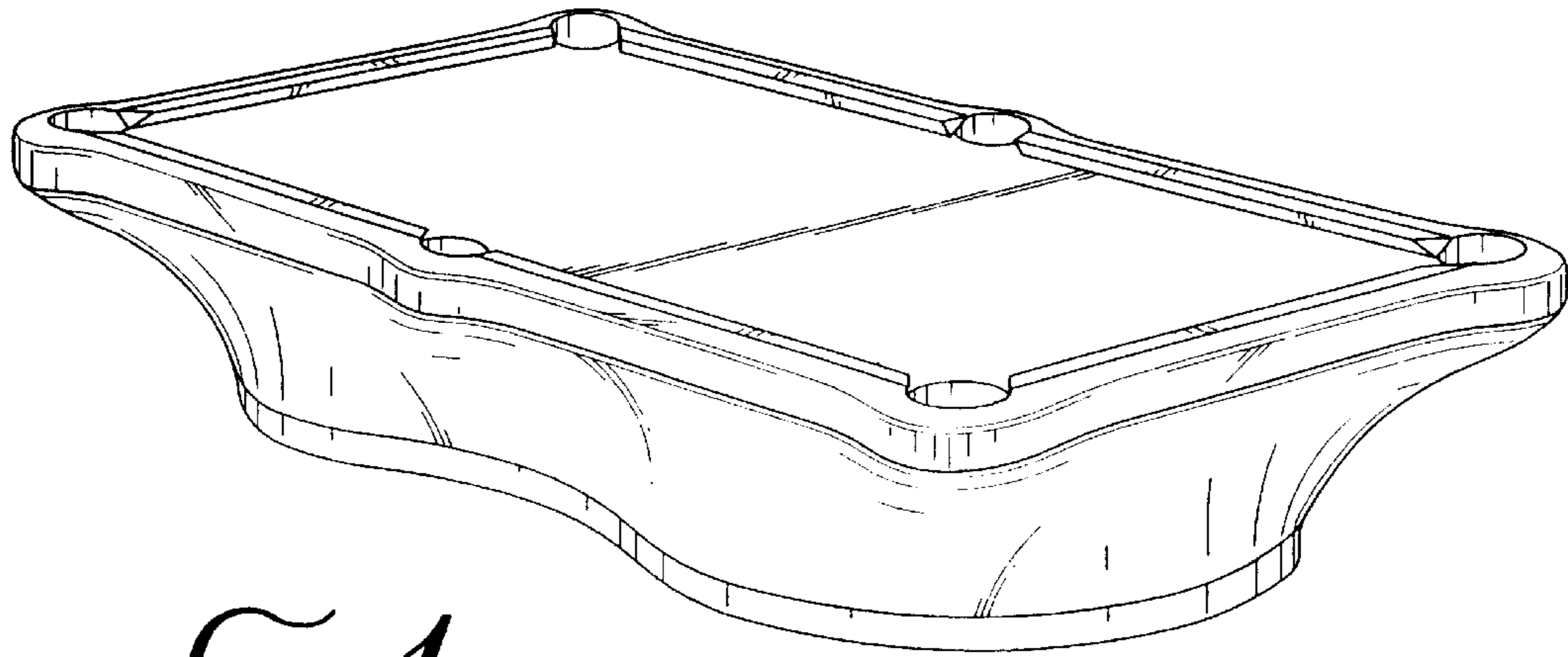


FIG. 1

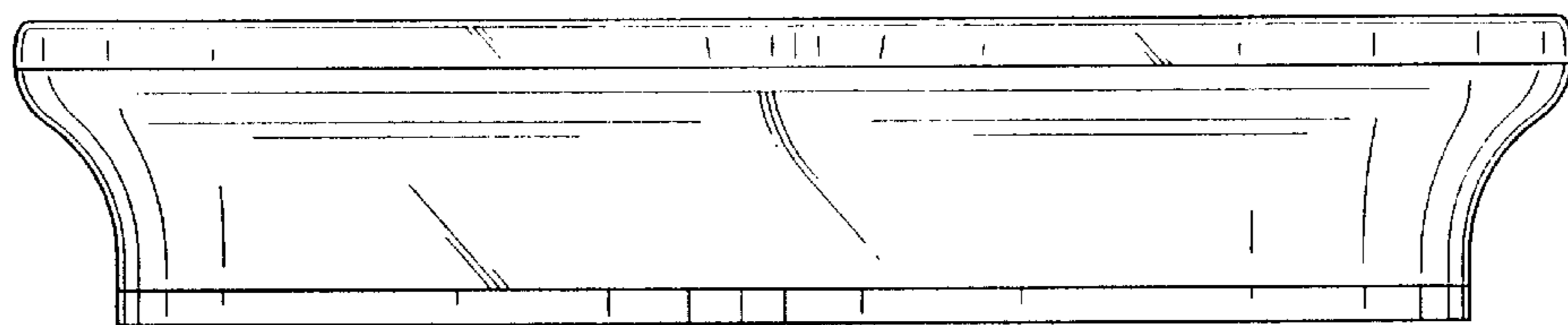


FIG. 2

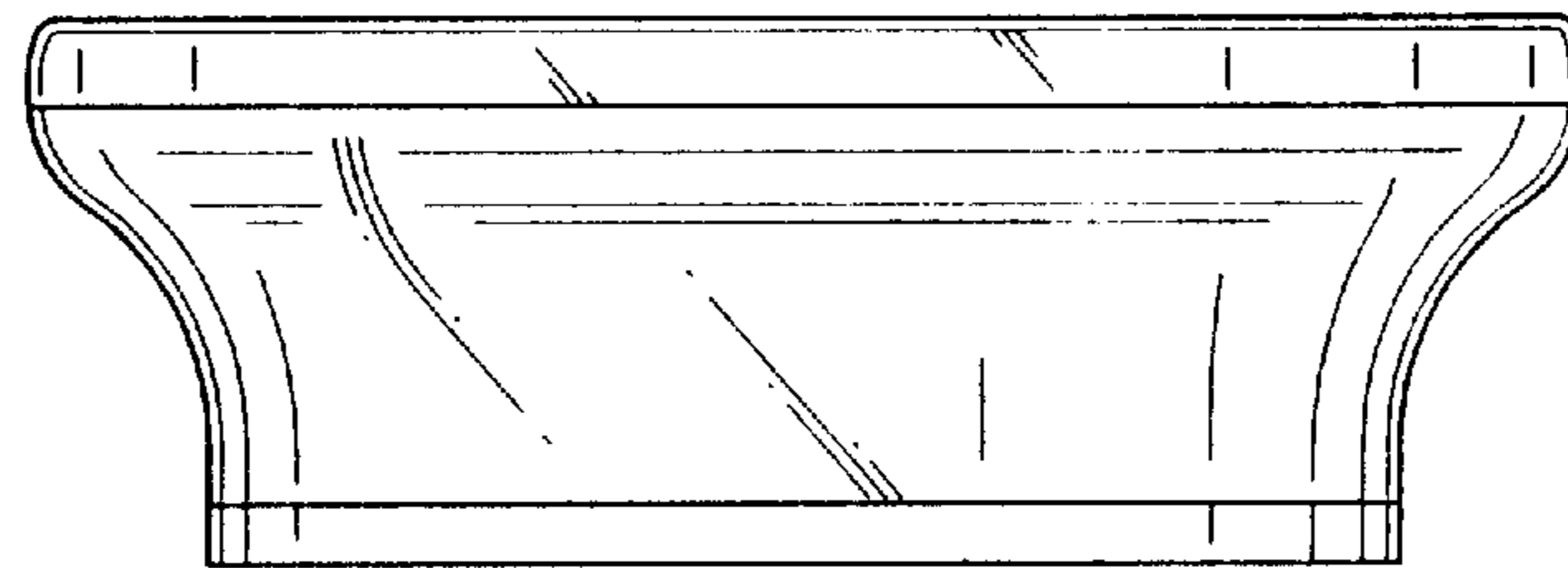


FIG. 3

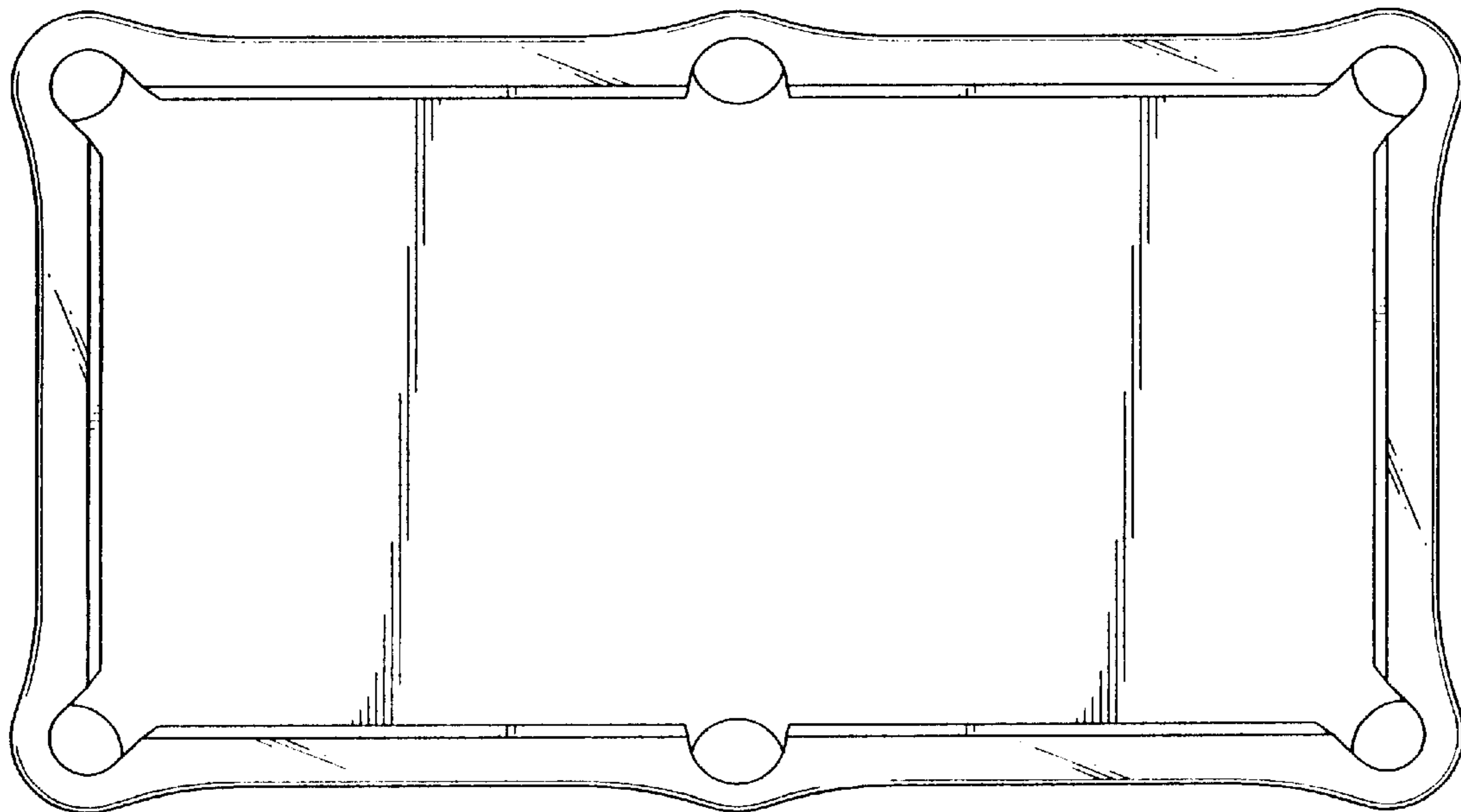


FIG. 4