

US00D512756S

(12) **United States Design Patent**
Kawami

(10) **Patent No.:** **US D512,756 S**
(45) **Date of Patent:** **** Dec. 13, 2005**

(54) **HEAD FOR GOLF CLUB**

(75) Inventor: **Hiroshi Kawami**, Kobe (JP)
(73) Assignee: **SRI Sports Limited**, Hyogo (JP)
(**) Term: **14 Years**

(21) Appl. No.: **29/208,413**
(22) Filed: **Jun. 29, 2004**

(30) **Foreign Application Priority Data**

May 28, 2004 (JP) D 2004-015815

(51) **LOC (6) Cl.** **21-02**
(52) **U.S. Cl.** **D21/747**
(58) **Field of Search** D21/747-751,
D21/759; 473/324-331, 350

(56) **References Cited**

U.S. PATENT DOCUMENTS

5,658,209 A * 8/1997 Blakemore 473/350
D417,248 S * 11/1999 Matsuo D21/748
D454,606 S * 3/2002 Helmstetter et al. D21/747
D469,140 S * 1/2003 Best D21/759
D475,108 S * 5/2003 Madore D21/759
D499,155 S * 11/2004 Imamoto D21/747

FOREIGN PATENT DOCUMENTS

JP D-738169 S 7/1988

OTHER PUBLICATIONS

Tourtage V-Series, V301, p. 191, "Golf Equipment Universal Catalogue 2003", published on Mar. 1, 2003.

* cited by examiner

Primary Examiner—Mitchell Siegel

(74) *Attorney, Agent, or Firm*—Birch, Stewart, Kolasch & Birch, LLP

(57) **CLAIM**

The ornamental design for a head for golf club, as shown and described.

DESCRIPTION

FIG. 1 is a perspective view of a head for golf club;
FIG. 2 is a front view thereof;
FIG. 3 is a left side view thereof;
FIG. 4 is a right side view thereof; and,
FIG. 5 is a top view thereof.

Portion designated by broken lines is shown for illustrative purposes only and forms no part of the claimed design.

1 Claim, 3 Drawing Sheets

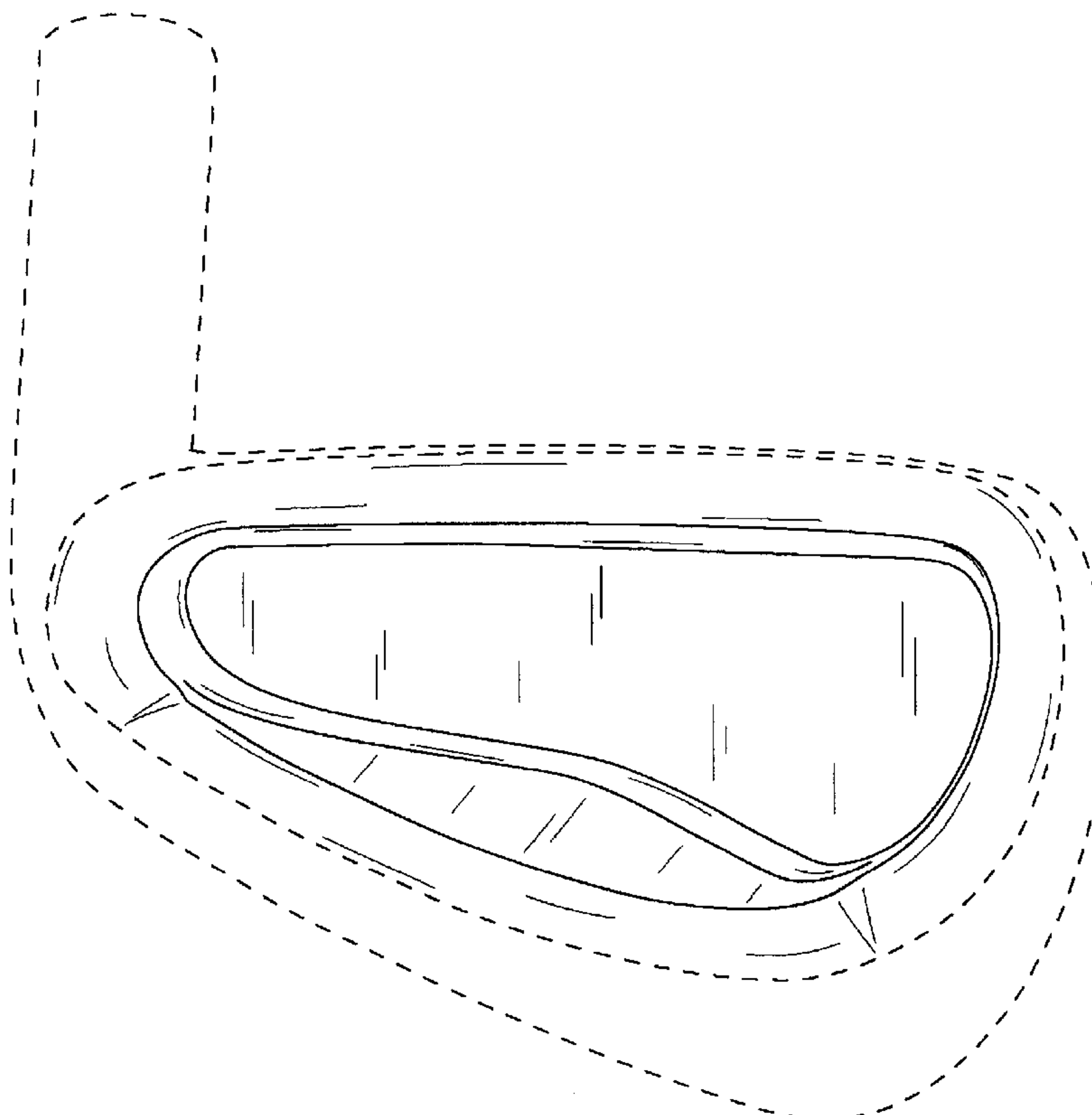


Fig. 1

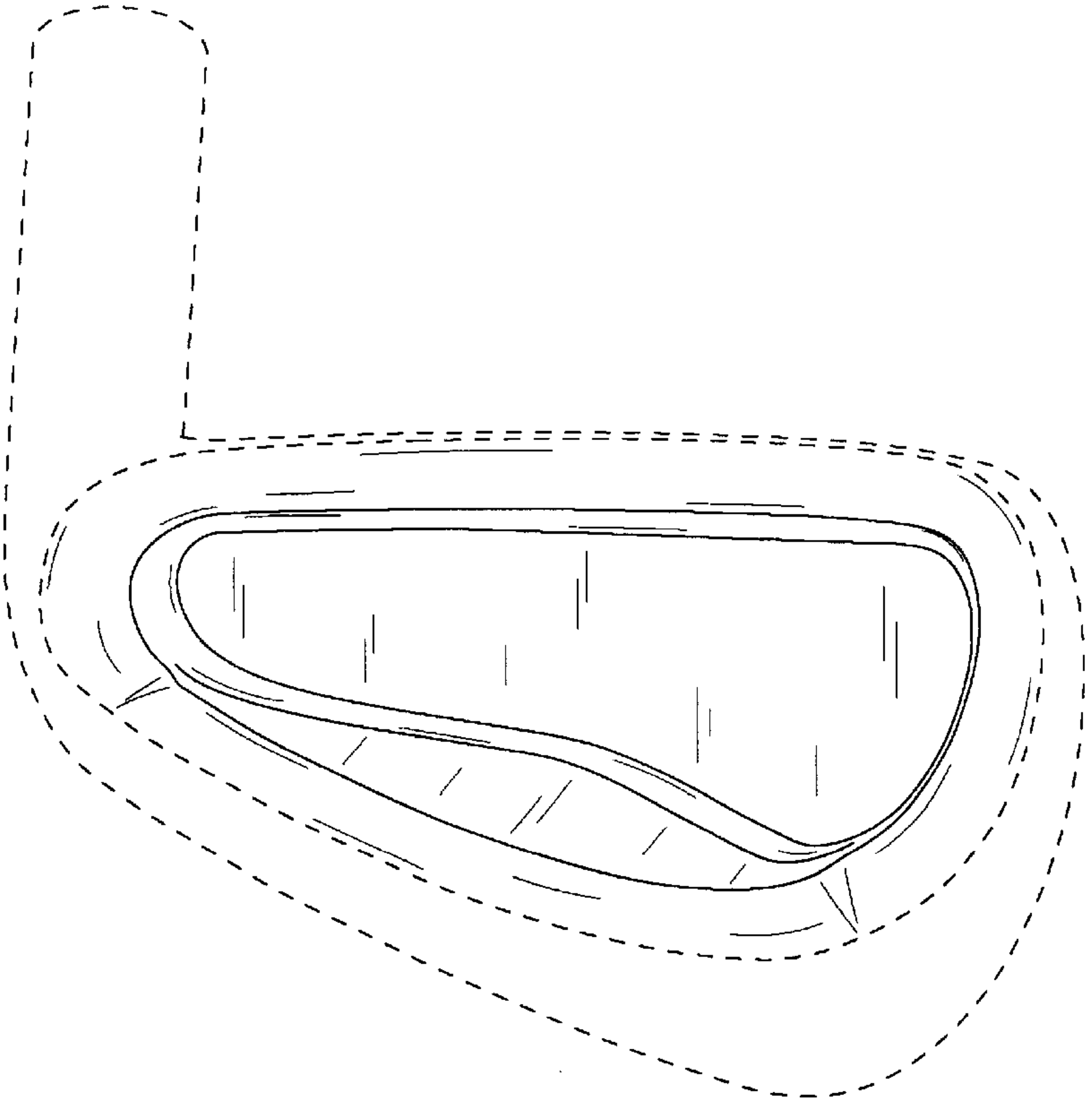


Fig. 2

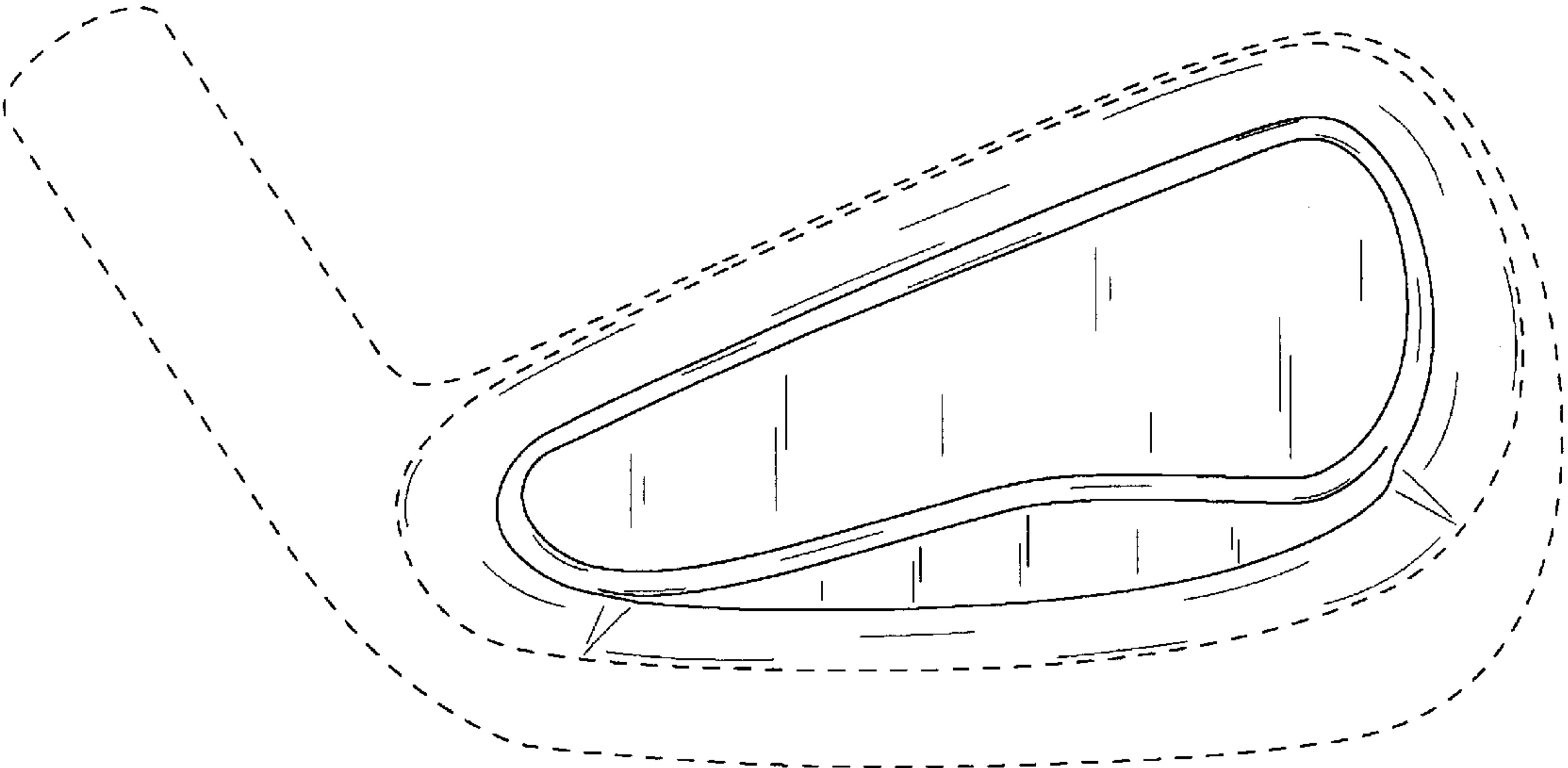


Fig. 3

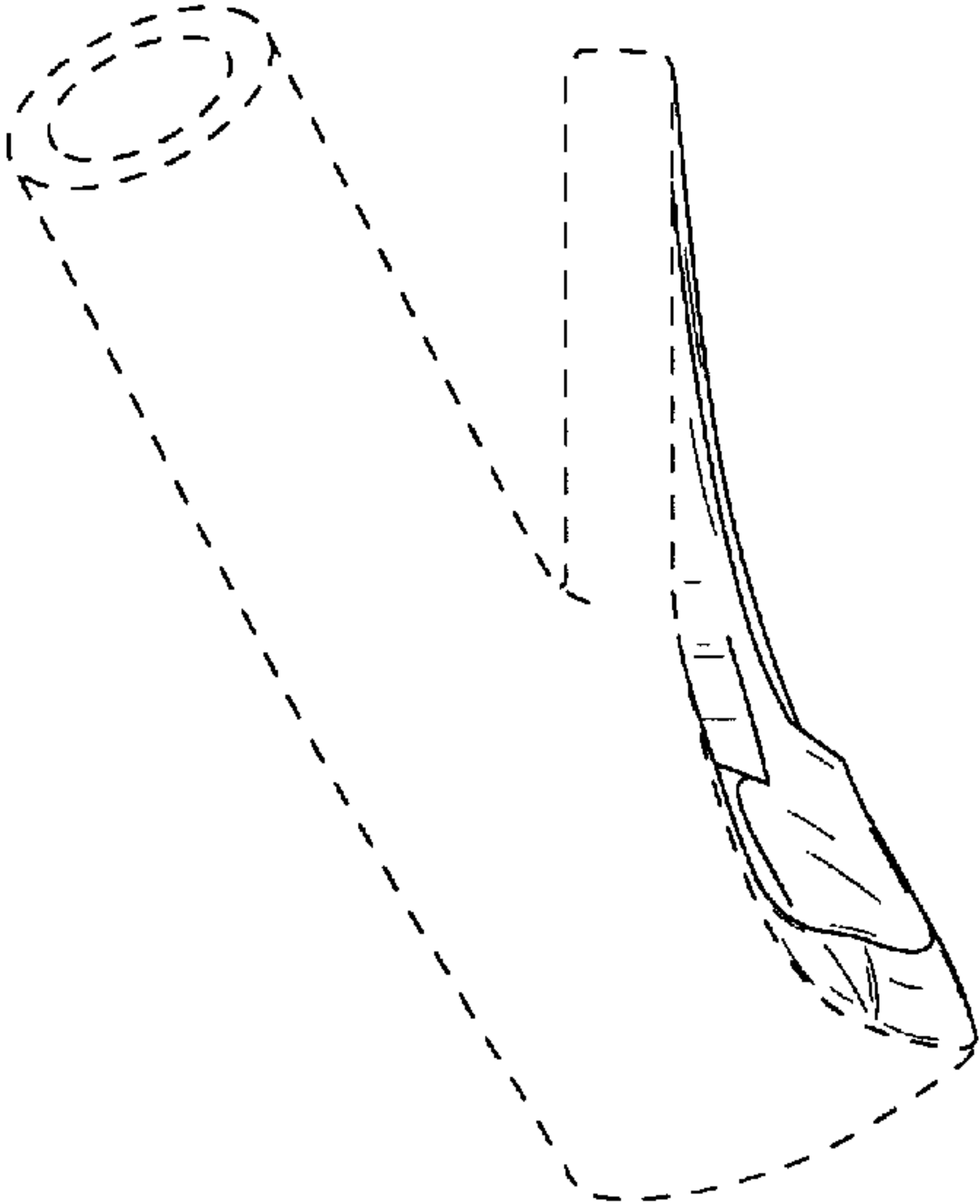


Fig. 4

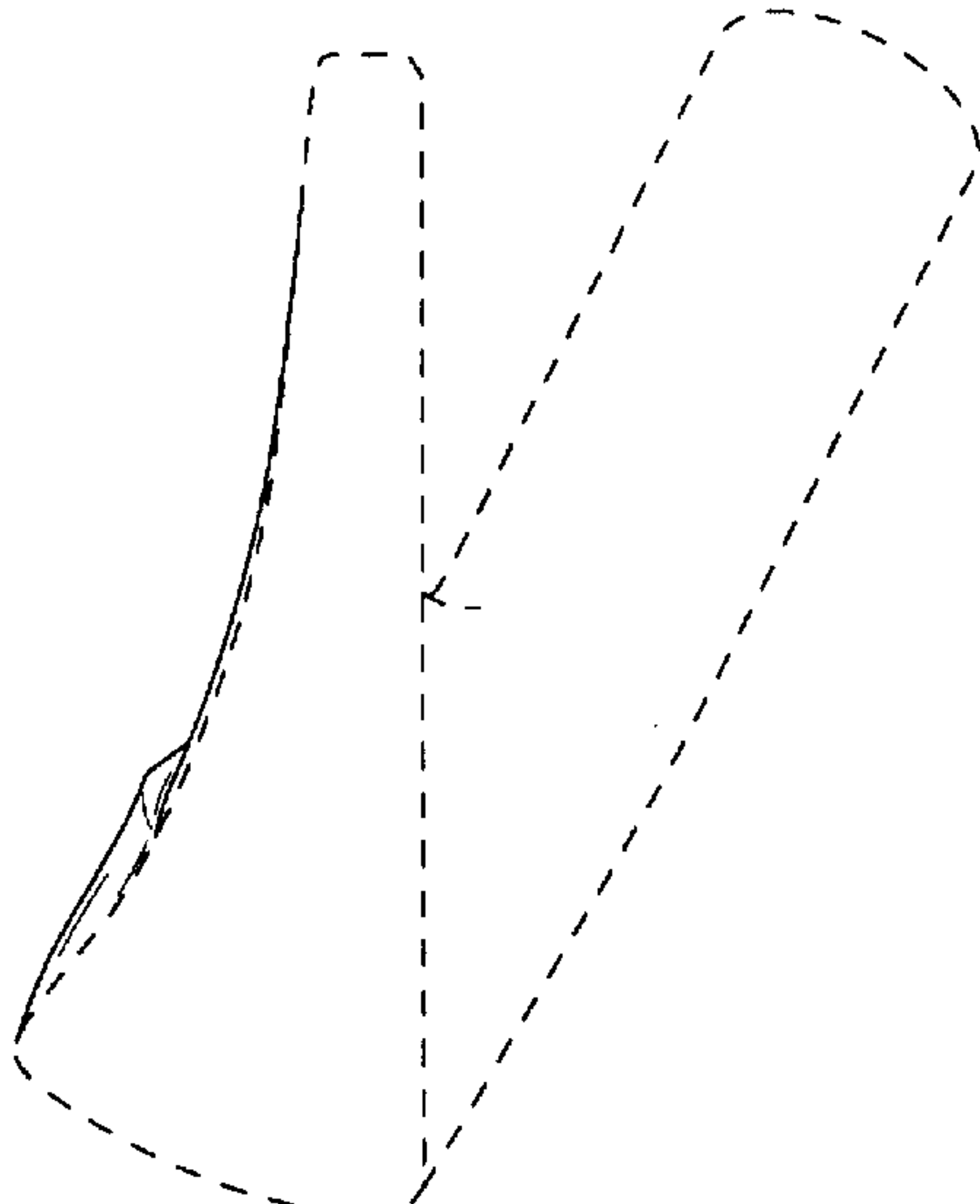


Fig. 5

