



US00D512755S

(12) **United States Design Patent** (10) **Patent No.:** **US D512,755 S**  
**Nishiyama et al.** (45) **Date of Patent:** **\*\* Dec. 13, 2005**

(54) **EXERCISE DEVICE**

(75) Inventors: **Tohru Nishiyama**, Higashiosaka (JP);  
**Junichi Yamada**, Hidaka (JP);  
**Nobutaka Kato**, Yokohama (JP)

(73) Assignee: **Matsushita Electric Works, Ltd.**,  
Osaka (JP)

(\*\*) Term: **14 Years**

(21) Appl. No.: **29/205,911**

(22) Filed: **May 21, 2004**

**Related U.S. Application Data**

(62) Division of application No. 29/183,388, filed on Jun. 11, 2003.

**(30) Foreign Application Priority Data**

Jan. 16, 2003	(JP)	.....	2003-000923
Jan. 16, 2003	(JP)	.....	2003-000924
Jan. 16, 2003	(JP)	.....	2003-000922
Jan. 16, 2003	(JP)	.....	2003-000921

(51) **LOC (6) Cl.** ..... **21-02**

(52) **U.S. Cl.** ..... **D21/690; D21/662**

(58) **Field of Search** ..... **D21/686, 690,**  
**D21/828, 831; 472/96, 97; 446/313; D6/552;**  
**D24/183**

(56) **References Cited**

**U.S. PATENT DOCUMENTS**

3,997,979 A	*	12/1976	Turner	.....	472/29
4,519,787 A	*	5/1985	Williams	.....	446/313
5,085,425 A	*	2/1992	Collins et al.	.....	472/97
D351,742 S	*	10/1994	Phleps et al.	.....	D6/367
5,533,899 A	*	7/1996	Young	.....	434/61
D440,264 S	*	4/2001	Venhuizen	.....	D21/690

\* cited by examiner

*Primary Examiner*—Philip S. Hyder

(74) *Attorney, Agent, or Firm*—Osha Liang LLP

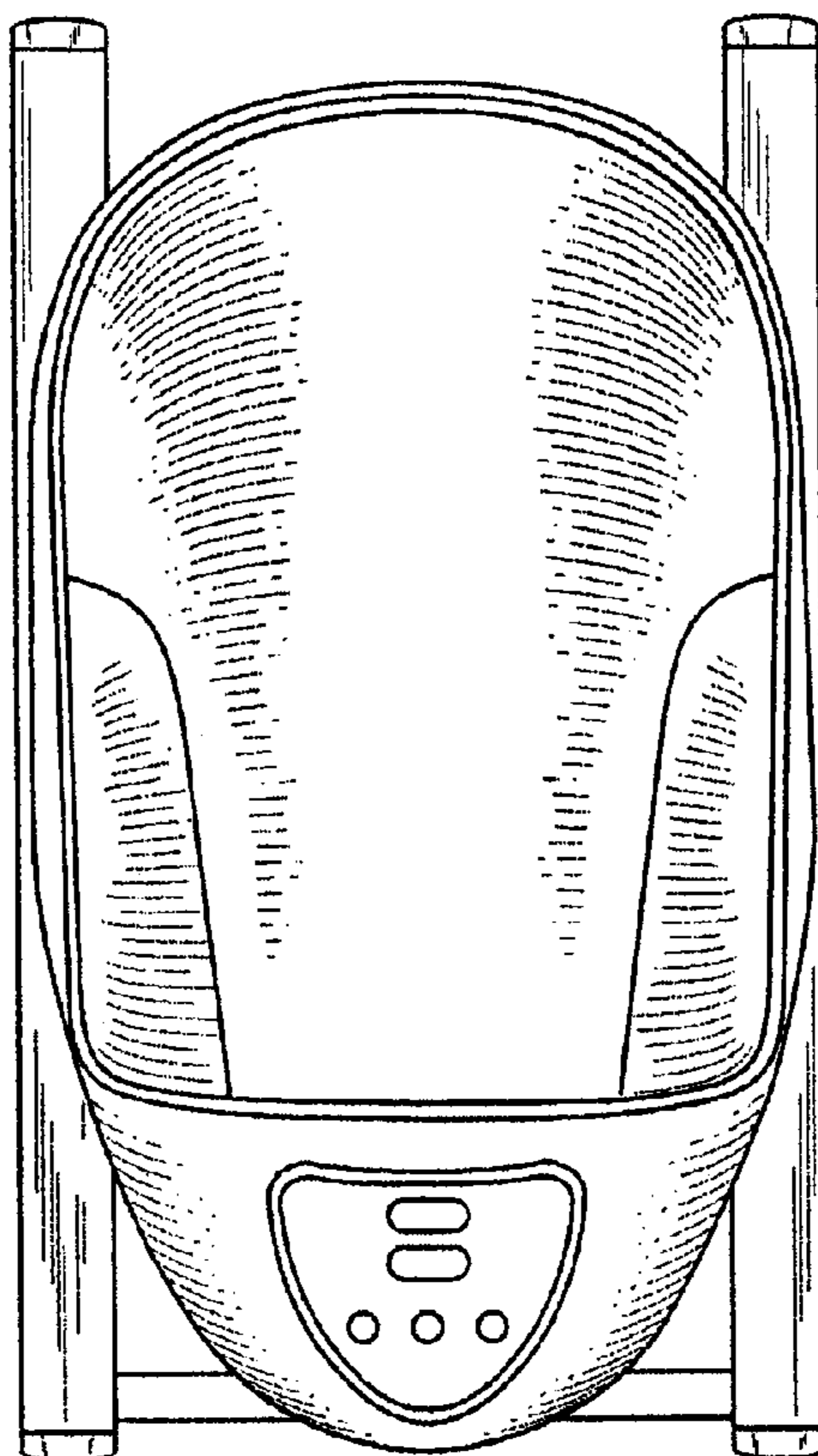
(57) **CLAIM**

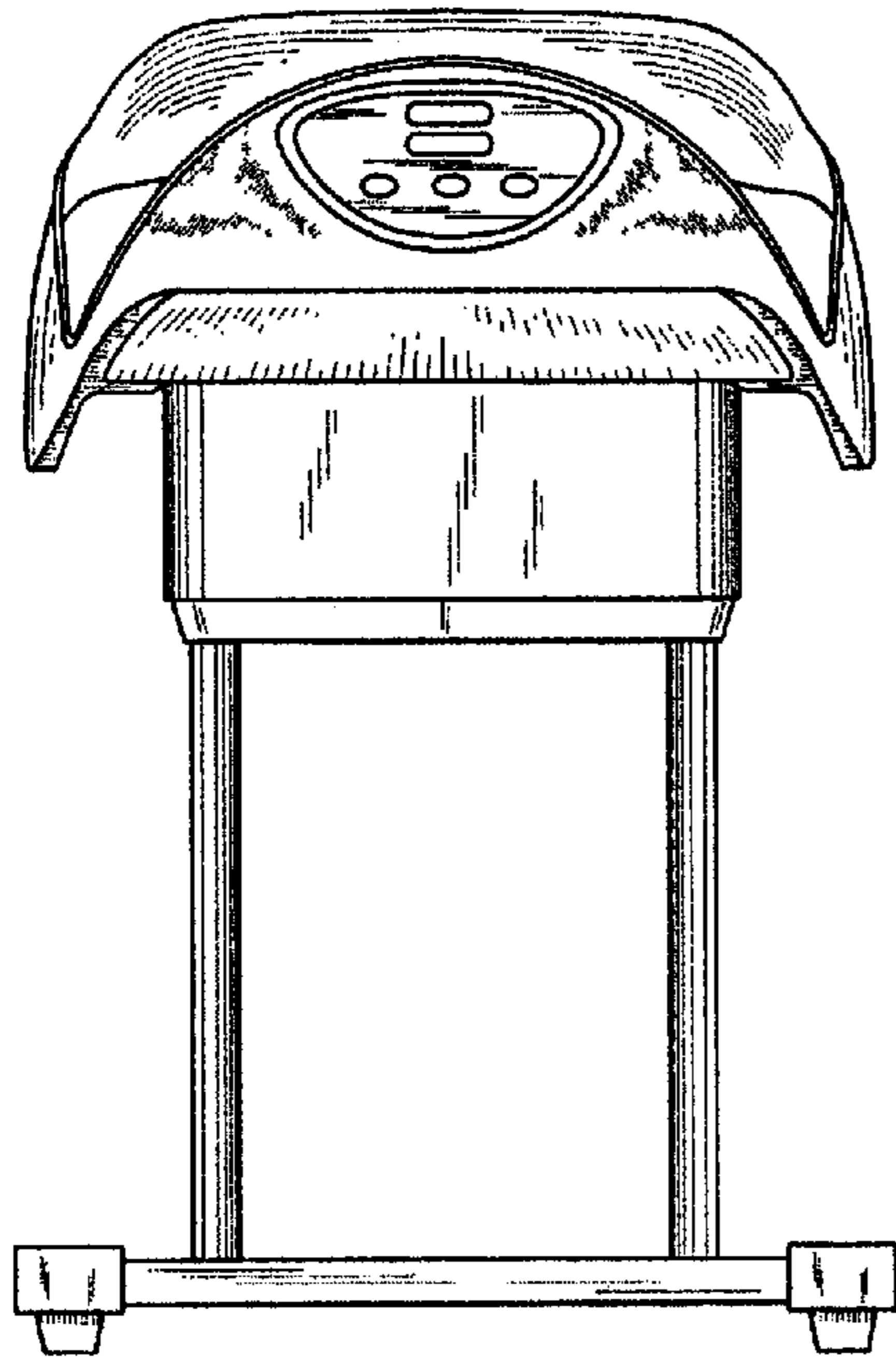
The ornamental design for an exercise device, as shown and described.

**DESCRIPTION**

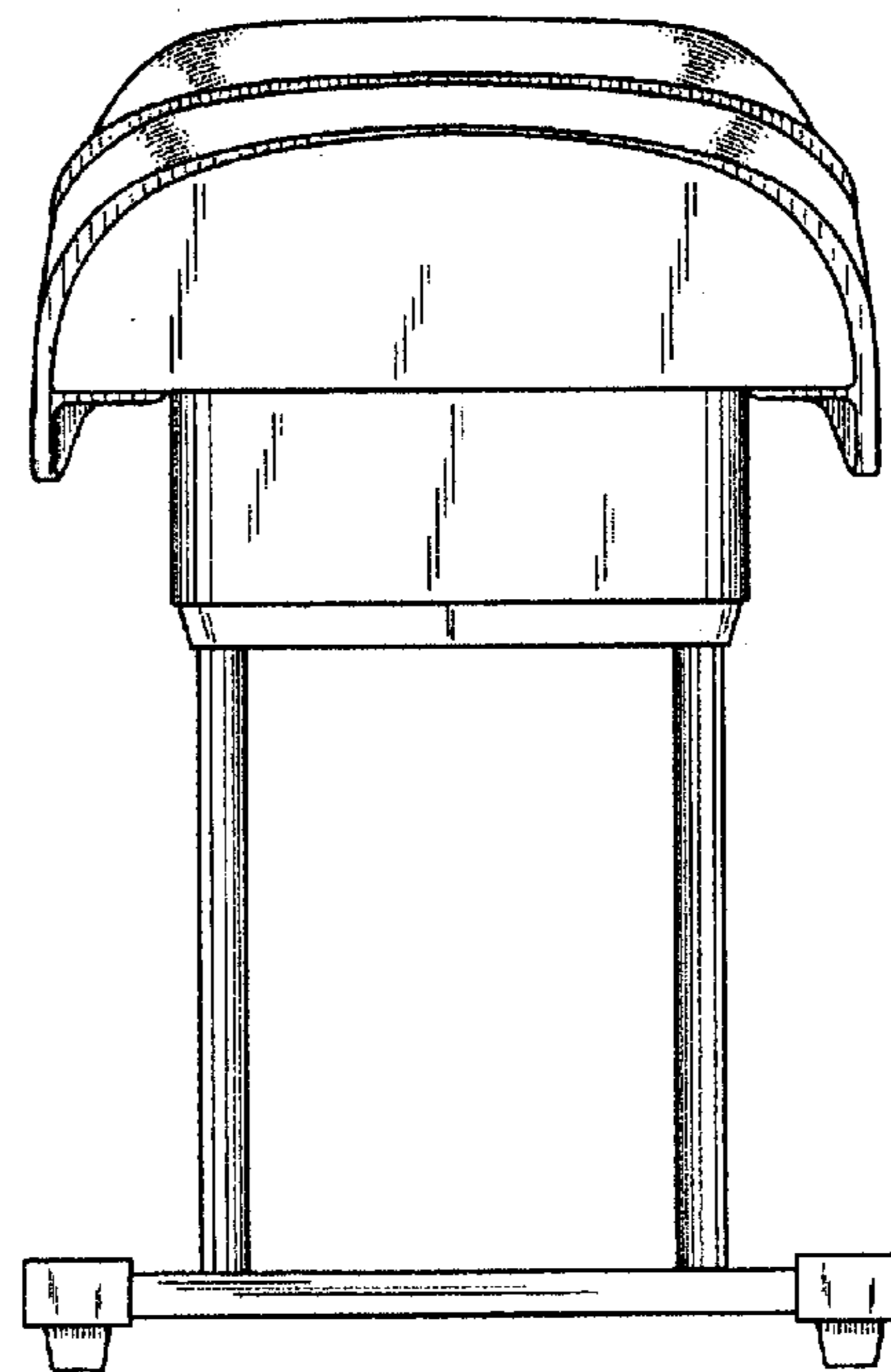
FIG. 1 shows a front view of the design.  
FIG. 2 shows a back view of the design.  
FIG. 3 shows a top view of the design.  
FIG. 4 shows a bottom view of the design.  
FIG. 5 shows a side view of the design; and,  
FIG. 6 shows a perspective view of the design.  
The portions in even broken lines are for illustrative purposes only and form no part of the claimed design.

**1 Claim, 3 Drawing Sheets**

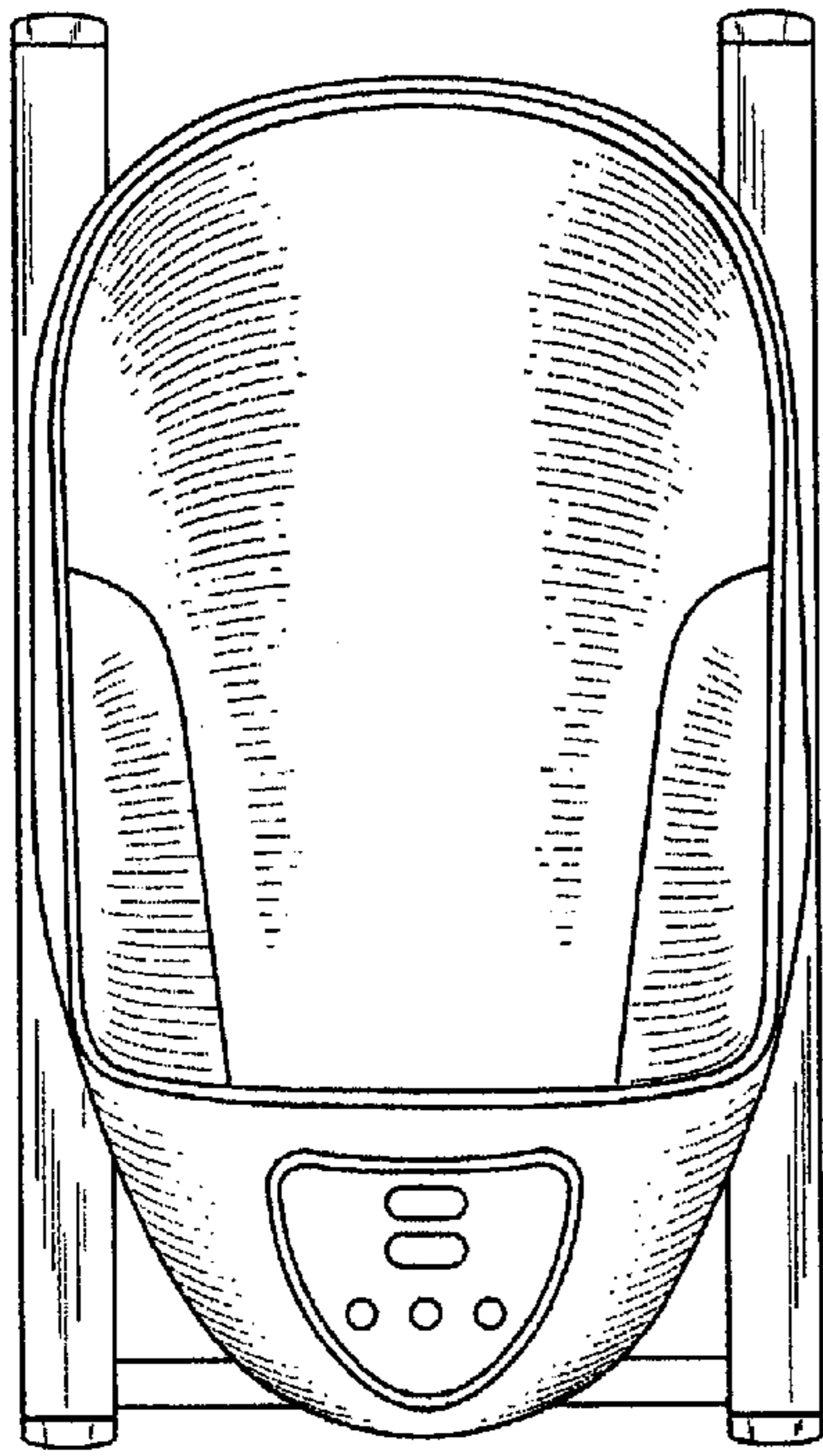




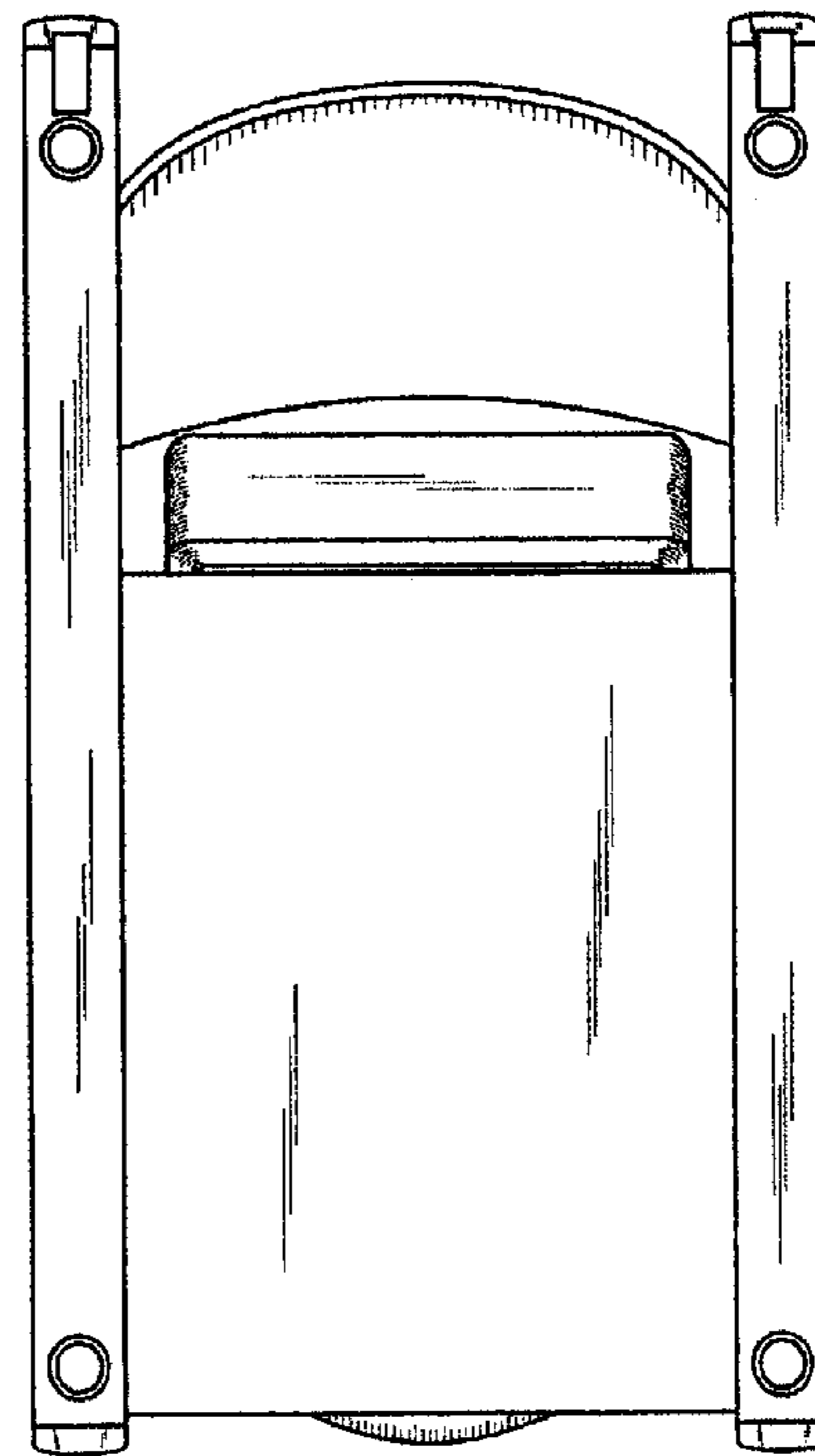
**FIG. 1**



**FIG. 2**



**FIG. 3**



**FIG. 4**

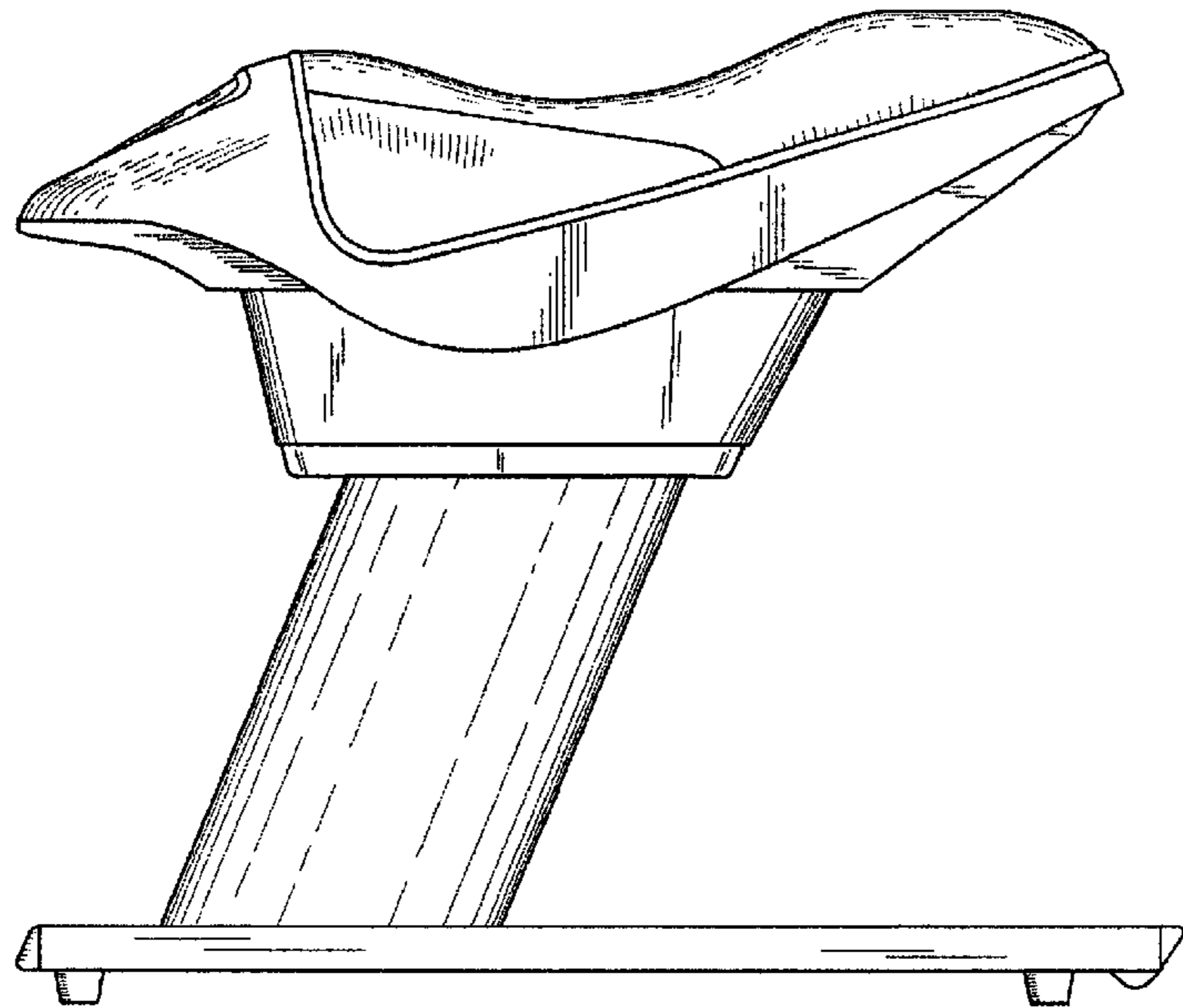


FIG. 5

FIG. 6

