



US00D512750S

(12) **United States Design Patent** (10) **Patent No.:** **US D512,750 S**
Orr (45) **Date of Patent:** **** Dec. 13, 2005**

(54) **SCOOP AND INTEGRATED VALVE AND RETENTION LOOP MARKER BODY**
(76) Inventor: **Jeffrey G. Orr**, 3779 Trinity Cir.,
Corona, CA (US) 92881
(**) Term: **14 Years**
(21) Appl. No.: **29/211,526**
(22) Filed: **Aug. 17, 2004**
(51) **LOC (6) Cl.** **21-01**
(52) **U.S. Cl.** **D21/573**
(58) **Field of Search** D21/567, 570,
D21/572-575; D22/100, 103, 104, 108,
109, 115; 124/56, 65, 70-74, 76, 77

3,899,845 A 8/1975 Wild et al.
D237,678 S 11/1975 Spencer
3,923,033 A 12/1975 Laporte et al. 124/8
4,066,000 A 1/1978 Rostocil 89/198
4,133,128 A 1/1979 Brush 42/70 R
4,207,799 A 6/1980 Tocco 89/196
4,282,795 A 8/1981 Beretta 89/148
4,347,679 A 9/1982 Grunig et al. 42/84
4,362,145 A 12/1982 Stelcher 124/32
4,516,273 A 5/1985 Gregory et al.
4,589,327 A 5/1986 Smith 89/148
4,602,608 A 7/1986 Lacam et al. 124/74
4,679,487 A 7/1987 Houseman 89/140
4,694,815 A 9/1987 Hung 124/27
4,770,153 A 9/1988 Edelman 124/72

(Continued)

FOREIGN PATENT DOCUMENTS

(56) **References Cited**
U.S. PATENT DOCUMENTS
43,573 A 7/1864 Crane 15/104.18
57,846 A 9/1866 Bausman 15/104.16
143,139 A 9/1873 Gould 15/104.16
645,932 A 3/1900 Ferrant 89/125
1,167,178 A 1/1916 Hill 124/56
1,343,127 A 6/1920 Hallinan 124/54
1,743,576 A 1/1930 Smith 124/72
2,453,683 A 11/1948 Caldwell 42/70
2,484,267 A 10/1949 Bower
D159,040 S * 6/1950 Bicos D22/100
2,550,887 A 5/1951 Tratsch 124/1
2,563,720 A 8/1951 Guisasola 42/70
2,568,432 A 9/1951 Cook
2,834,332 A 5/1958 Guthrie
2,845,055 A 7/1958 Collins et al.
D192,248 S * 2/1962 Brooks D22/103
3,089,476 A 5/1963 Wolverton
3,240,200 A 3/1966 Jones
3,273,553 A 9/1966 Doyle 124/3
3,374,708 A 3/1968 Wall et al.
3,494,344 A 2/1970 Vadas et al.
3,548,708 A 12/1970 Hubigh 89/1.818
3,572,310 A 3/1971 Chiba
3,695,246 A 10/1972 Filippi et al.
3,818,887 A 6/1974 Akiyama et al.

DE 19518884 6/1994 B65D/21/06
FR 2801567 10/1999 B65D/43/16
GB 2252302 8/1992 B65D/55/02
GB 2370027 6/2002 B65D/43/16
GB 2391292 2/2004 F41A/19/00

Primary Examiner—Holly Baynham
Assistant Examiner—Cynthia M. Chin
(74) *Attorney, Agent, or Firm*—Keisling Pieper & Scott
PLC; David B. Pieper; Trent C. Keisling

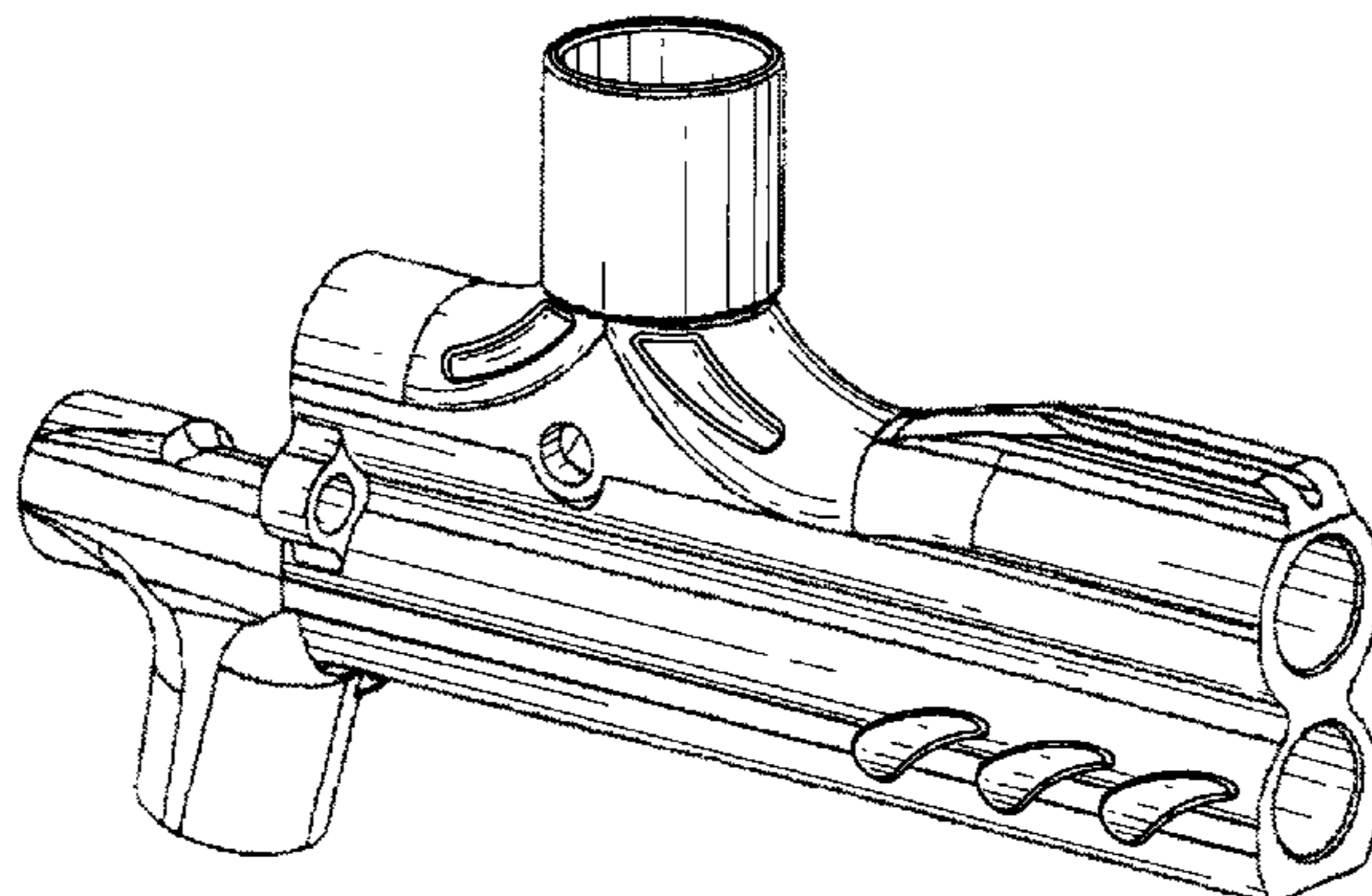
(57) **CLAIM**

The ornamental design for a scoop and integrated and retention loop marker body, as shown and described.

DESCRIPTION

FIG. 1 is an isometric view of a scoop and integrated valve and retention loop marker body showing my new design; FIG. 2 is a top plan view thereof; FIG. 3 is a right elevational view thereof; FIG. 4 is a top side elevational view thereof; FIG. 5 is a front elevational view thereof; FIG. 6 is a left elevational view thereof; and, FIG. 7 is a bottom plan view thereof.

1 Claim, 2 Drawing Sheets



U.S. PATENT DOCUMENTS

4,779,245 A	10/1988	Chelminski	367/144	6,223,460 B1	5/2001	Schmitter et al.	42/70.06
4,785,930 A	11/1988	Fischer et al.	206/3	6,256,917 B1	7/2001	Findlay	42/70.06
4,819,609 A	4/1989	Tippmann	124/72	6,260,821 B1	7/2001	Perry et al.	251/314
4,899,717 A	2/1990	Rutten et al.	124/67	6,311,682 B1	11/2001	Rice et al.	124/71
4,936,282 A	6/1990	Dobbins et al.	124/74	6,349,711 B1	2/2002	Perry et al.	124/73
4,940,138 A	7/1990	Hornstein	206/218	D454,685 S	3/2002	Parks et al.	D3/254
D321,325 S	11/1991	Petrus	D9/435	6,382,200 B1	5/2002	Levkov	124/73
5,063,905 A	11/1991	Farrell	124/72	D458,333 S	6/2002	Power	D22/108
5,068,990 A	12/1991	Marzocco	42/70.04	D460,502 S	7/2002	Traum et al.	D21/573
5,078,118 A	1/1992	Perrone	124/74	6,439,217 B1	8/2002	Shih	124/77
5,149,898 A	9/1992	Chesnut et al.	42/69.01	6,474,325 B2	11/2002	Rice et al.	124/71
5,228,427 A	7/1993	Gardner, Jr.	124/71	6,474,326 B1	11/2002	Smith et al.	124/77
5,251,533 A	10/1993	Layton	89/142	6,494,194 B2	12/2002	Shipachev et al.	124/73
5,261,384 A	11/1993	Hu	124/66	6,494,195 B2	12/2002	Perry et al.	124/84
5,280,778 A	1/1994	Kotsiopoulos	124/73	6,532,949 B1	3/2003	McKendrick	124/77
5,282,454 A	2/1994	Bell et al.	124/49	D473,910 S	4/2003	Rice et al.	D22/108
5,293,708 A	3/1994	Strayer et al.	42/75.03	6,550,468 B1	4/2003	Tippmann, Jr.	124/71
5,349,939 A	9/1994	Perrone	124/76	6,553,983 B1	4/2003	Li	124/73
5,363,834 A	11/1994	Stuchlik	124/76	6,578,566 B2	6/2003	Hernandez	124/73
5,370,105 A	12/1994	Firman	124/56	D477,642 S *	7/2003	Byrd	D21/574
5,373,832 A *	12/1994	D'Andrade	124/69	6,590,386 B1	7/2003	Williams	324/178
5,413,083 A	5/1995	Jones	124/32	6,615,814 B1	9/2003	Rice et al.	124/71
5,462,042 A	10/1995	Grenwell	124/76	6,626,165 B1	9/2003	Bhokal	124/77
D366,514 S	1/1996	Hochstrate et al.	D22/108	6,629,379 B1	10/2003	Doiron	42/70.11
5,503,137 A	4/1996	Fusco	124/72	6,637,420 B2	10/2003	Moritz	124/73
5,596,162 A	1/1997	Burns	89/128	6,637,421 B2	10/2003	Smith et al.	124/77
5,613,483 A	3/1997	Lukas et al.	124/73	D482,081 S *	11/2003	Chang	D21/573
5,634,456 A	6/1997	Perrone	124/76	6,644,295 B2	11/2003	Jones	124/77
5,635,663 A	6/1997	Krieger et al.	89/142	6,644,296 B2	11/2003	Gardner, Jr.	124/77
5,718,074 A	2/1998	Keeney	42/69.03	6,658,982 B2	12/2003	Cherry	89/1.42
D393,115 S	3/1998	Bell et al.	D32/35	D484,926 S	1/2004	Rice et al.	D21/573
5,727,538 A	3/1998	Ellis	124/77	6,694,963 B1	2/2004	Taylor	124/32
5,736,720 A	4/1998	Bell et al.	235/1	6,705,036 B2	3/2004	Orr	42/69.01
5,755,213 A	5/1998	Gardner, Jr. et al.	124/73	6,725,852 B1	4/2004	Yokota et al.	124/49
5,760,328 A	6/1998	Robbins	89/129.02	6,729,497 B2	5/2004	Rice et al.	220/835
5,799,434 A	9/1998	Krieger et al.	42/69.03	6,739,322 B2	5/2004	Rice et al.	124/49
5,816,232 A	10/1998	Bell	124/51.1	6,748,938 B2	6/2004	Rice et al.	124/77
5,868,637 A	2/1999	Poxon	473/469	6,763,822 B1	7/2004	Styles	124/77
5,878,736 A	3/1999	Lotuaco, III	124/71	6,779,518 B2 *	8/2004	Dobbins	124/71
5,881,707 A	3/1999	Gardner, Jr.	124/77	D496,556 S	9/2004	Skrocki et al.	D7/391
5,890,479 A	4/1999	Morin	124/31	6,802,305 B1	10/2004	Hatcher	124/31
5,913,303 A	6/1999	Kotsiopoulos	124/31	6,802,306 B1	10/2004	Rice	124/74
5,957,119 A	9/1999	Perry et al.	124/73	2003/0121927 A1	7/2003	Rice et al.	220/833
5,967,133 A	10/1999	Gardner, Jr.	124/77	2003/0131514 A1	7/2003	Rice et al.	42/69.01
6,003,504 A	12/1999	Rice et al.	124/73	2003/0131834 A1	7/2003	Rice et al.	124/32
6,015,058 A	1/2000	Parks	220/229	2003/0154968 A1	8/2003	Rice et al.	124/71
6,035,843 A	3/2000	Smith et al.	124/77	2003/0168053 A1 *	9/2003	Farrell	124/76
6,048,280 A	4/2000	Palmer et al.	473/416	2003/0178018 A1	9/2003	Cherry	124/76
6,055,975 A	5/2000	Gallagher et al.	124/50	2003/0221684 A1	12/2003	Rice	124/71
6,065,460 A	5/2000	Lotuaco, III	124/72	2004/0011344 A1	1/2004	Rice et al.	124/73
6,138,656 A	10/2000	Rice et al.	124/73	2004/0031836 A1	2/2004	Garcia	224/665
6,142,137 A	11/2000	MacLaughlin	124/72	2004/0074489 A1	4/2004	Neumaster et al.	124/79
6,212,812 B1	4/2001	Aigner	42/70.06	2004/0084040 A1	5/2004	Jones	124/77

* cited by examiner

FIG. 1

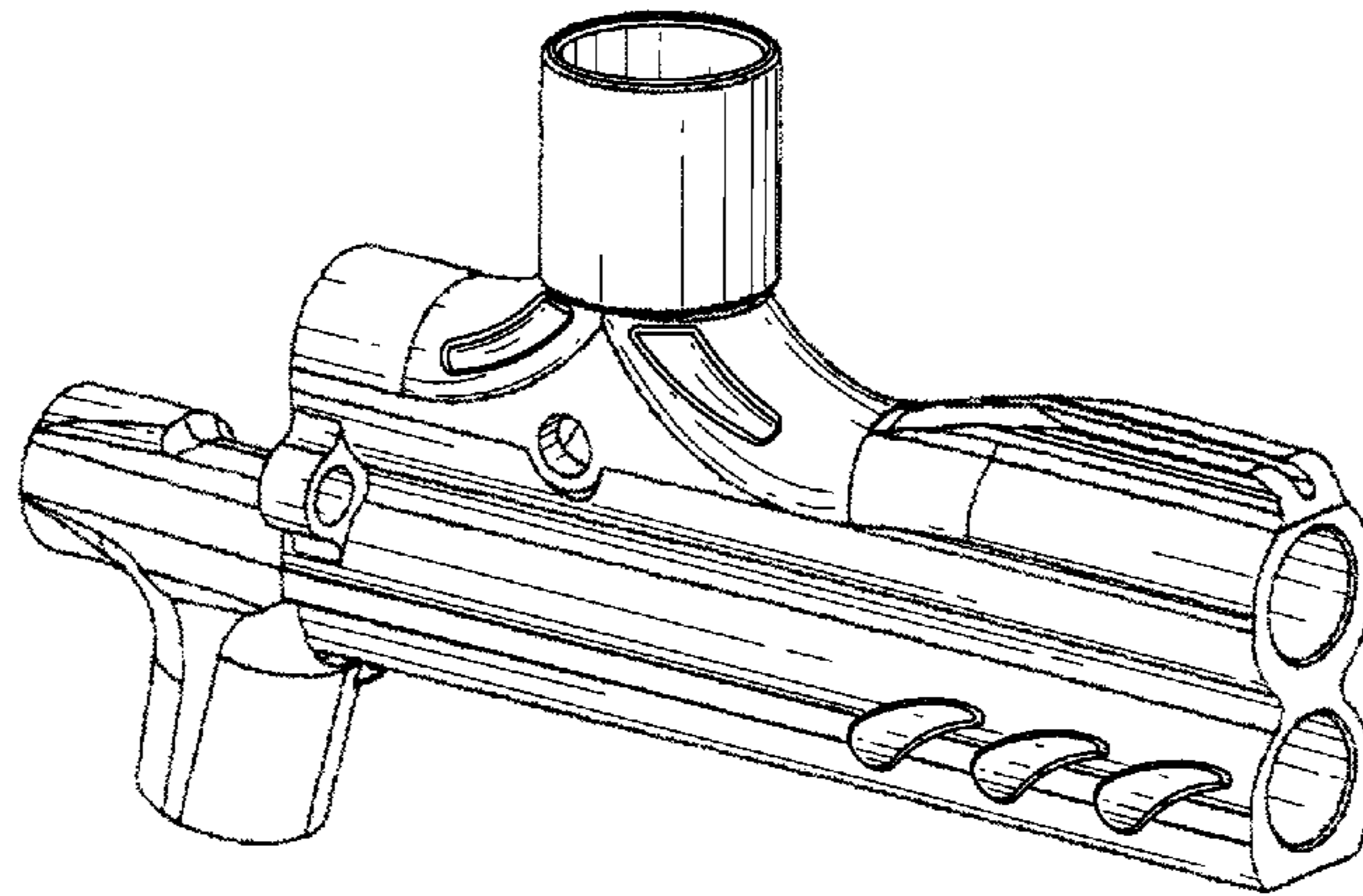


FIG. 2

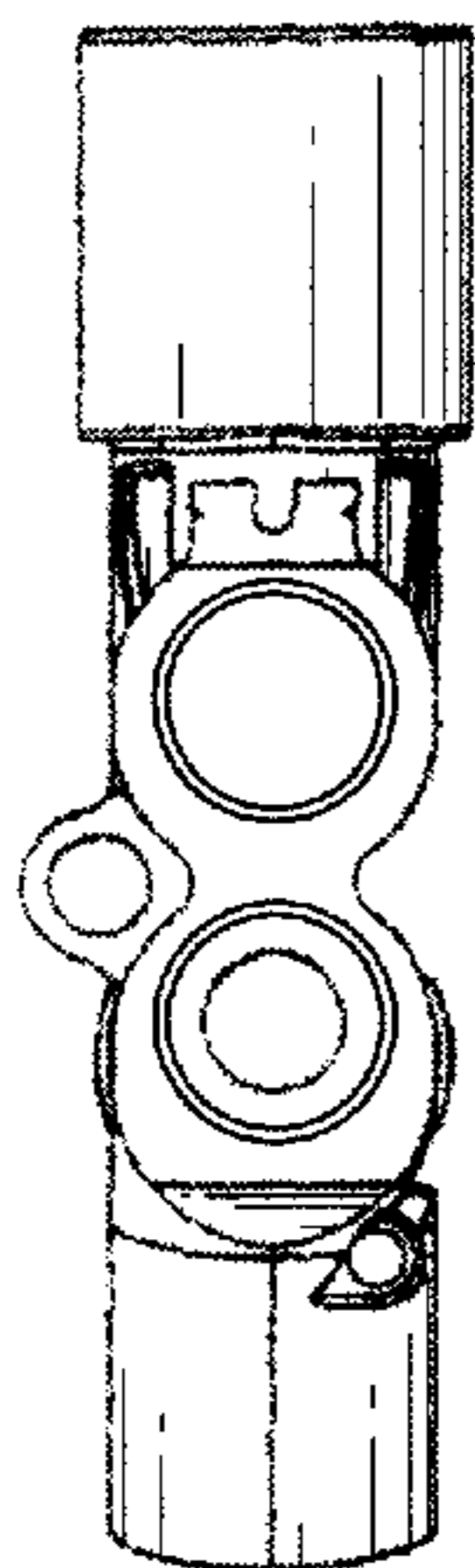


FIG. 3

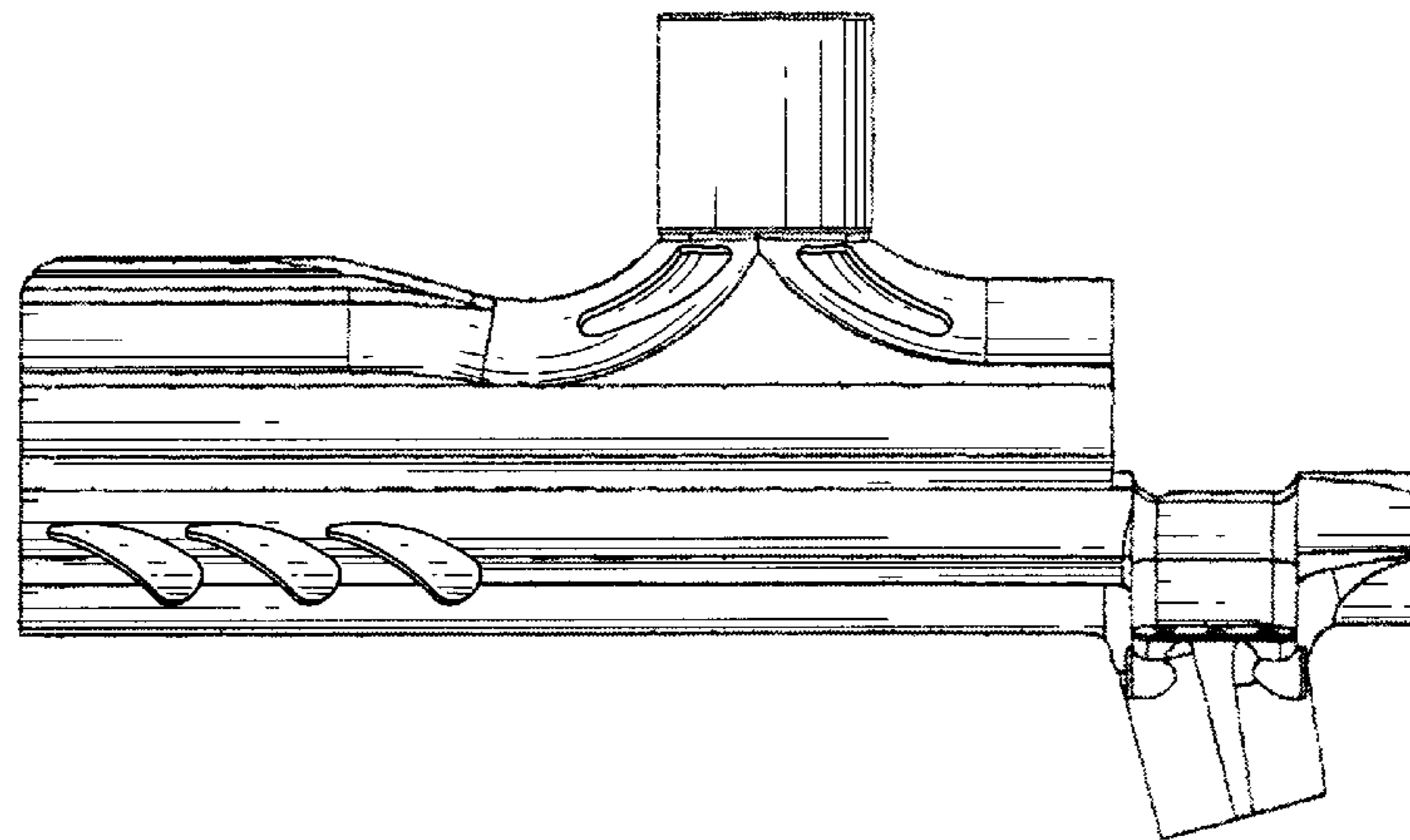


FIG. 4

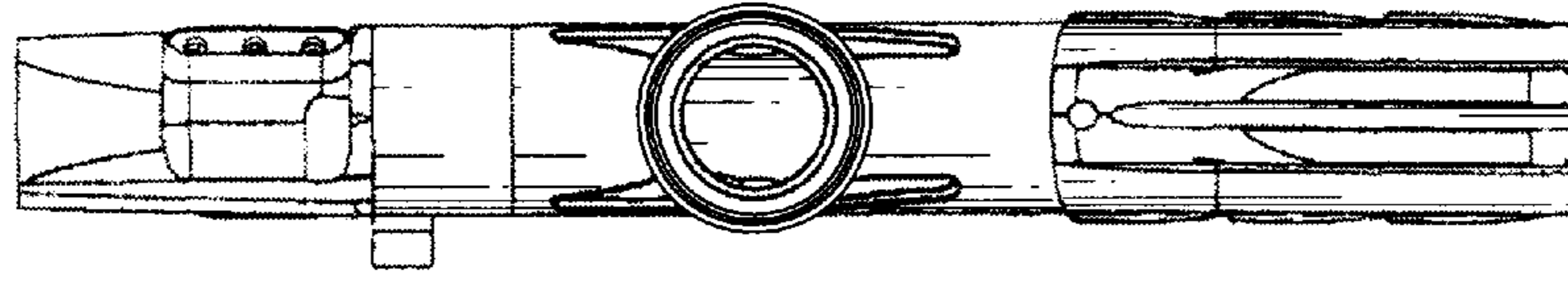


FIG. 5

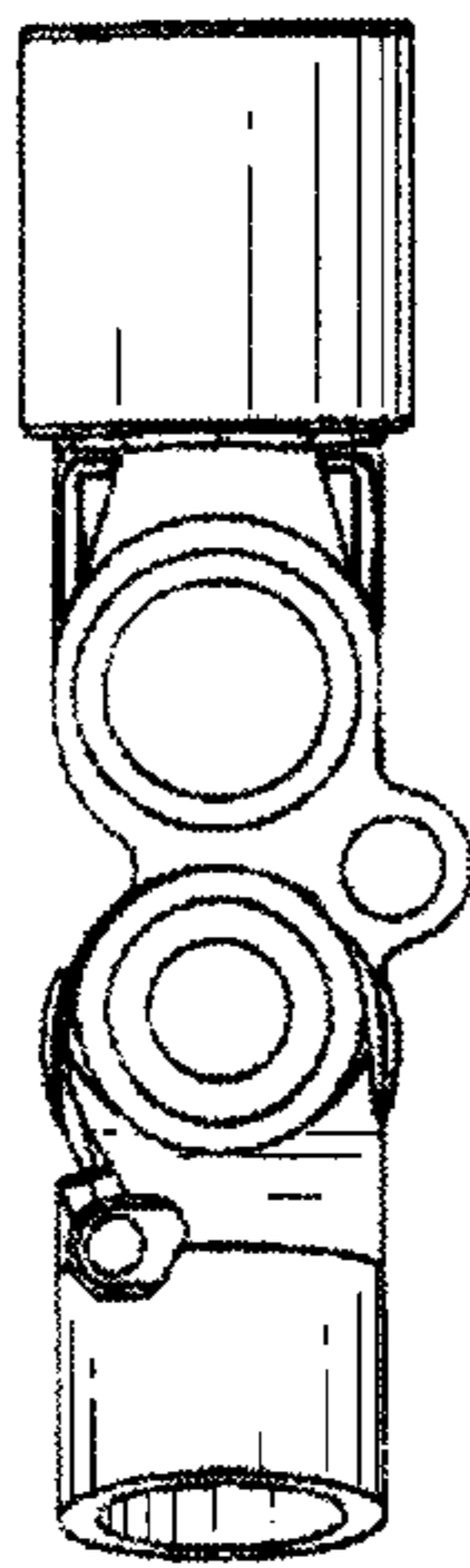


FIG. 6

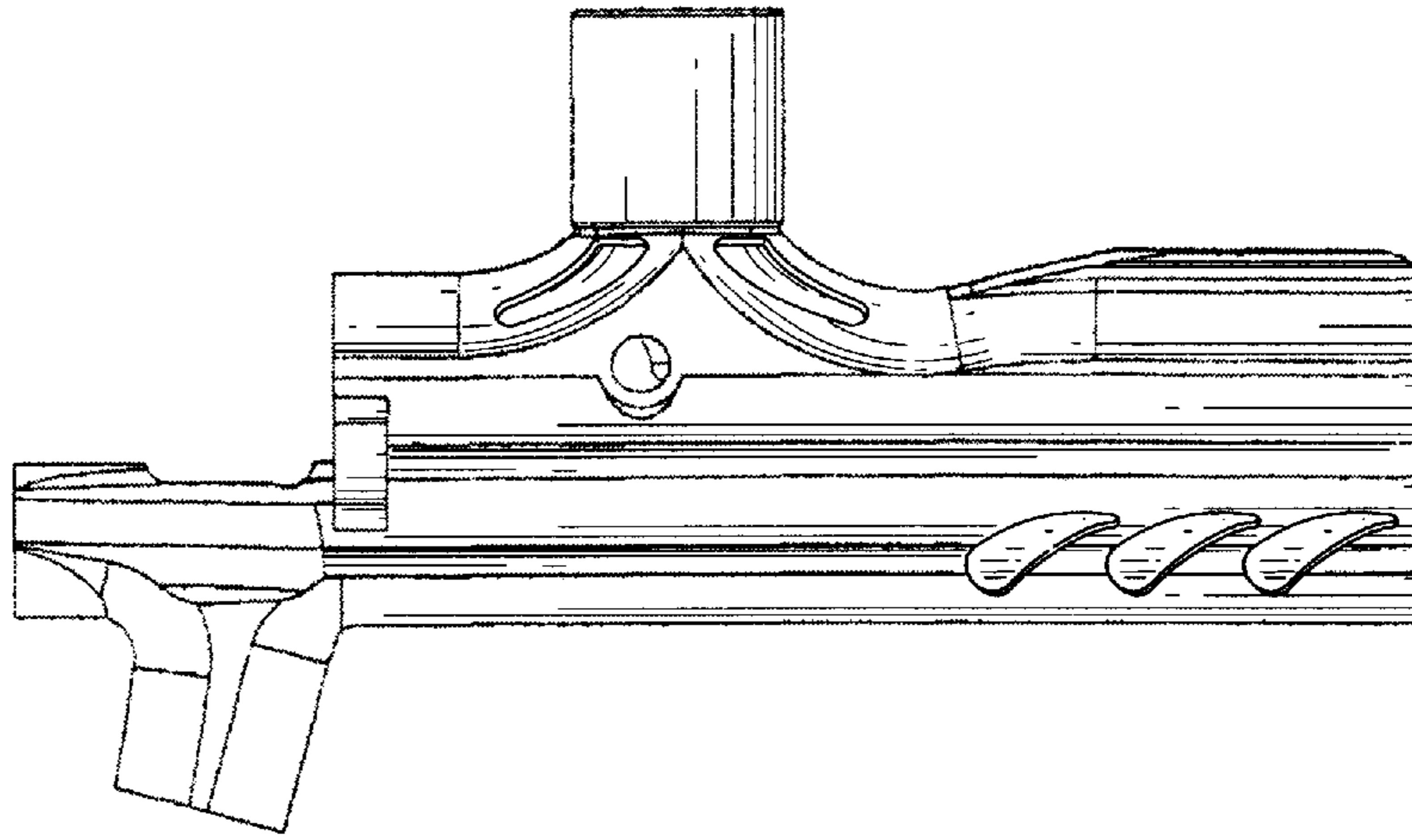


FIG. 7

