



US00D512747S

(12) **United States Design Patent**
Habing

(10) **Patent No.:** **US D512,747 S**

(45) **Date of Patent:** **** Dec. 13, 2005**

(54) **TEETER TOTTER**

(75) **Inventor:** **Theodore G. Habing**, Tustin, CA (US)

(73) **Assignee:** **Dream Visions LLC**, Tustin, CA (US)

(**) **Term:** **14 Years**

(21) **Appl. No.:** **29/214,815**

(22) **Filed:** **Oct. 7, 2004**

(51) **LOC (6) Cl.** **21-01**

(52) **U.S. Cl.** **D21/412**

(58) **Field of Search** D21/811, 814,
D21/826, 828, 412; 472/4, 5, 14, 120, 106-115

(56) **References Cited**

U.S. PATENT DOCUMENTS

- 2,488,889 A * 11/1949 Allie 472/112
- 2,772,722 A * 12/1956 Paumen 472/120
- D208,922 S * 10/1967 Grudoski D21/412
- 3,614,096 A * 10/1971 Ely 472/4
- D270,558 S * 9/1983 Fuller D21/412
- 4,570,928 A * 2/1986 Smith 472/14

- 5,505,664 A * 4/1996 Nolan et al. 472/120
- 5,885,163 A * 3/1999 Bjorn et al. 472/5
- 6,712,709 B1 * 3/2004 Henderson et al. 472/106

* cited by examiner

Primary Examiner—Mitchell Siegel

(74) *Attorney, Agent, or Firm*—Blakely Sokoloff Taylor & Zafman LLP

(57) **CLAIM**

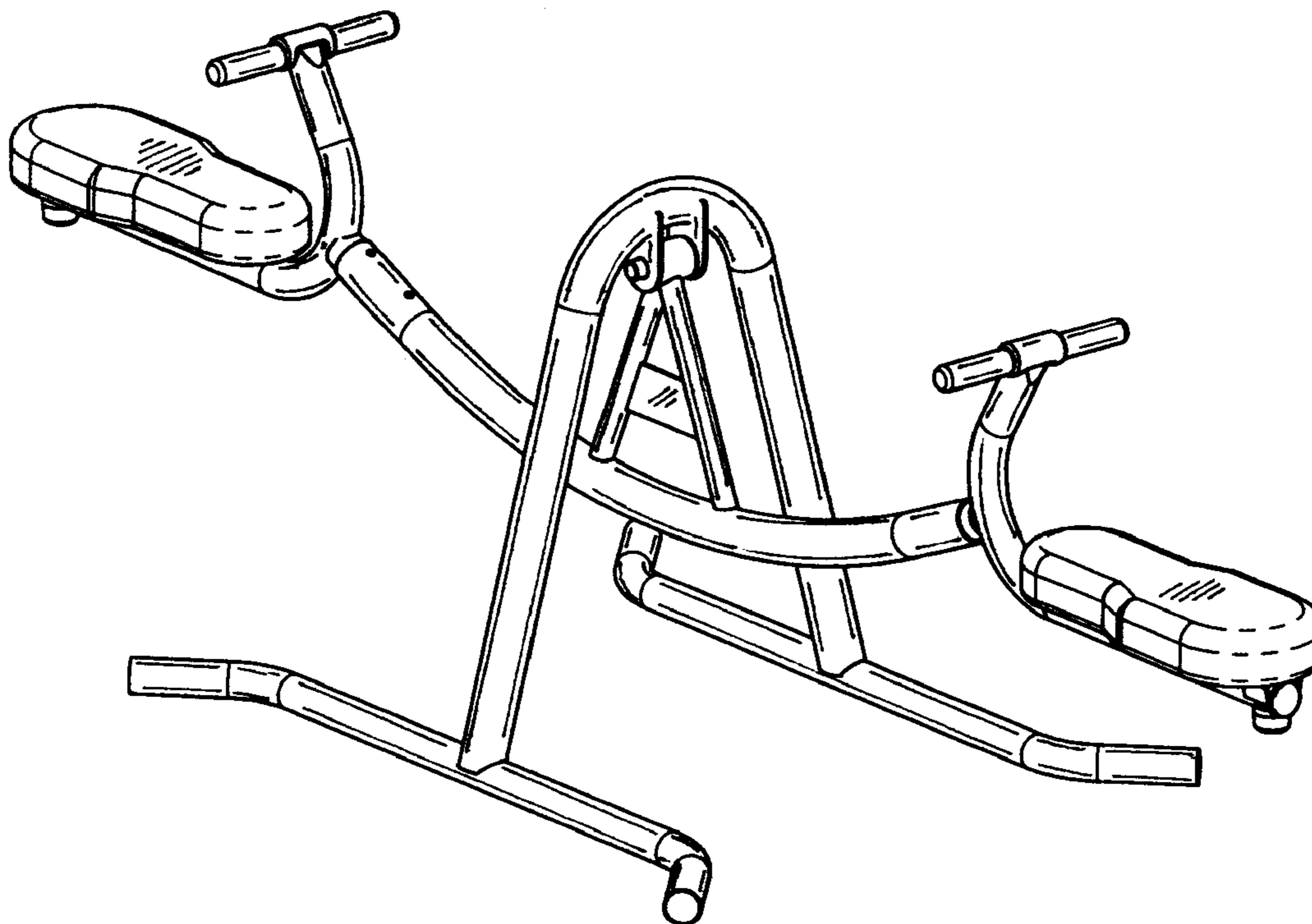
The ornamental design for a teeter totter, as shown and described.

DESCRIPTION

FIG. 1 is a perspective view of my new design;
FIG. 2 is a top plan view thereof;
FIG. 3 is a side elevation view thereof, both sides being identical; and,
FIG. 4 is an end elevation view thereof, both ends being identical.

The broken line showing is for illustrative purposes only and forms no part of the claimed design.

1 Claim, 1 Drawing Sheet



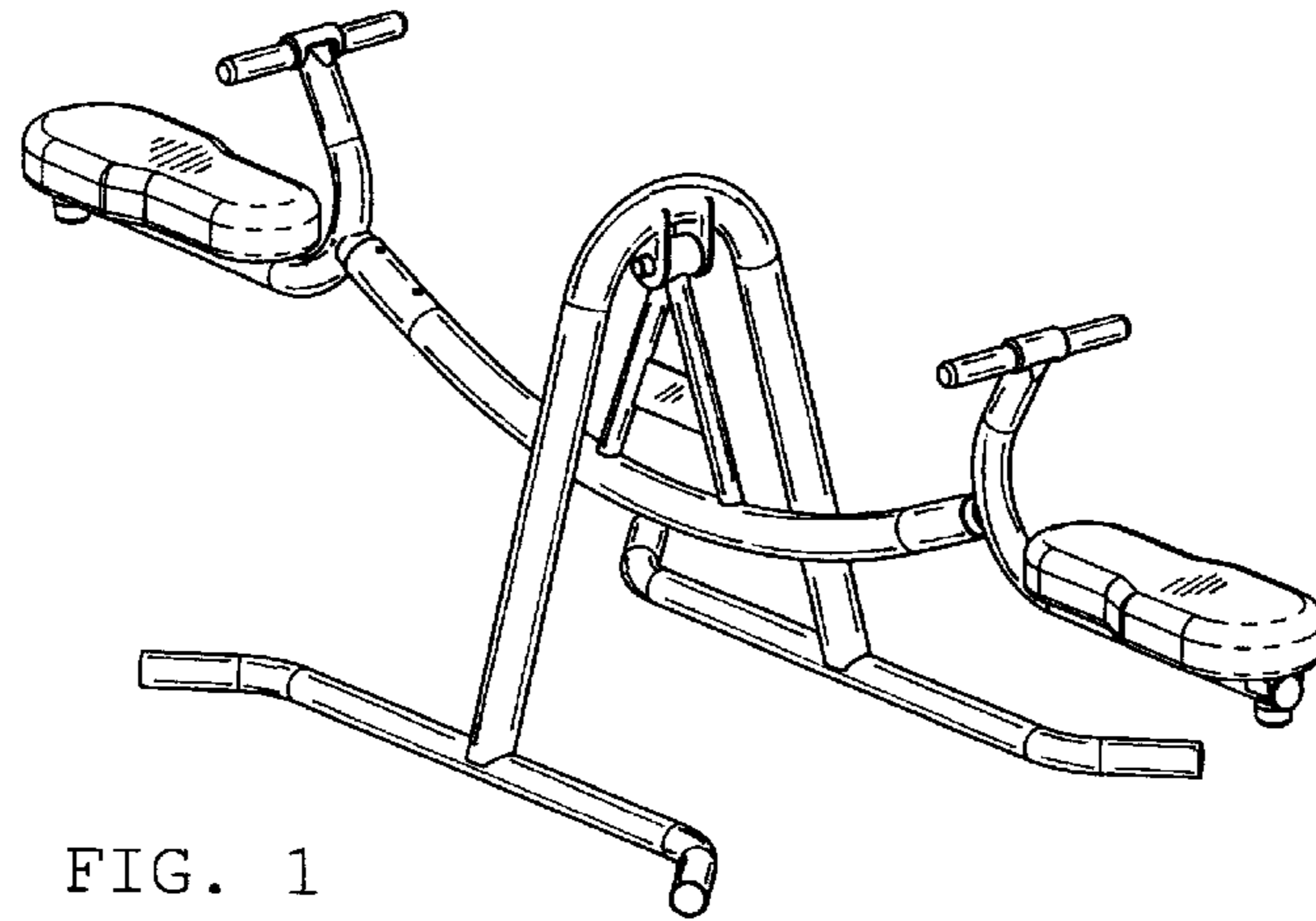


FIG. 1

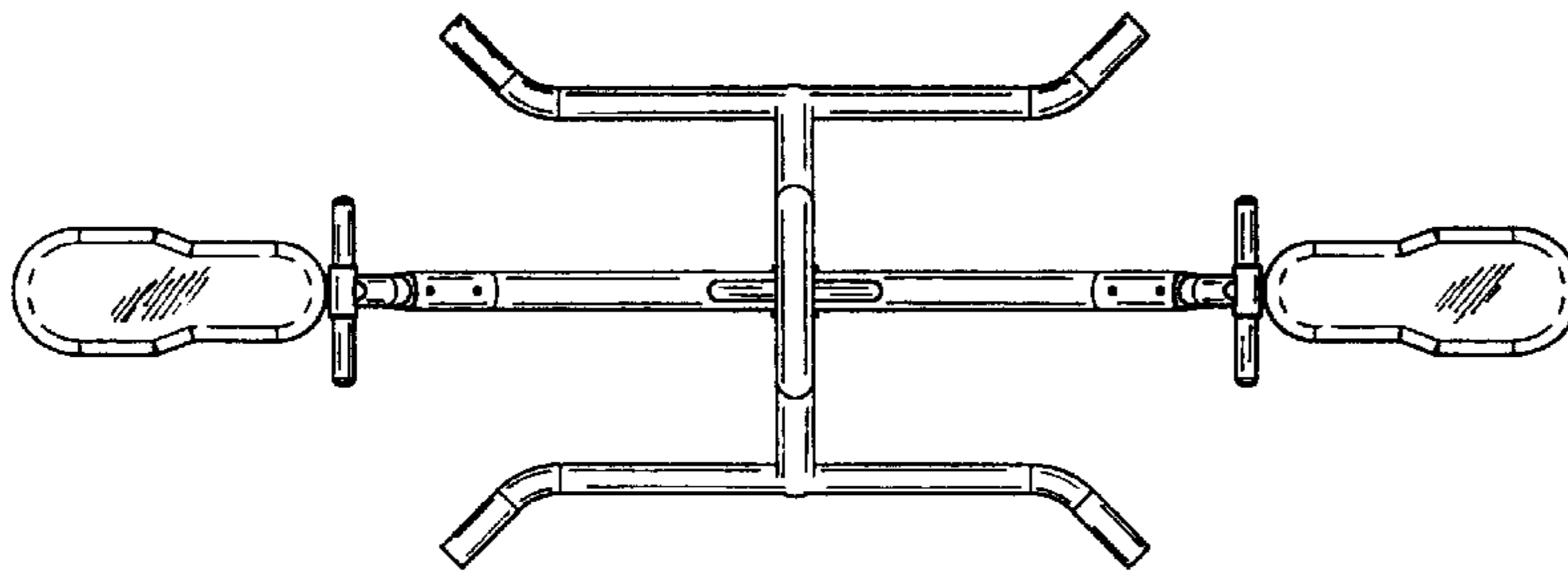


FIG. 2

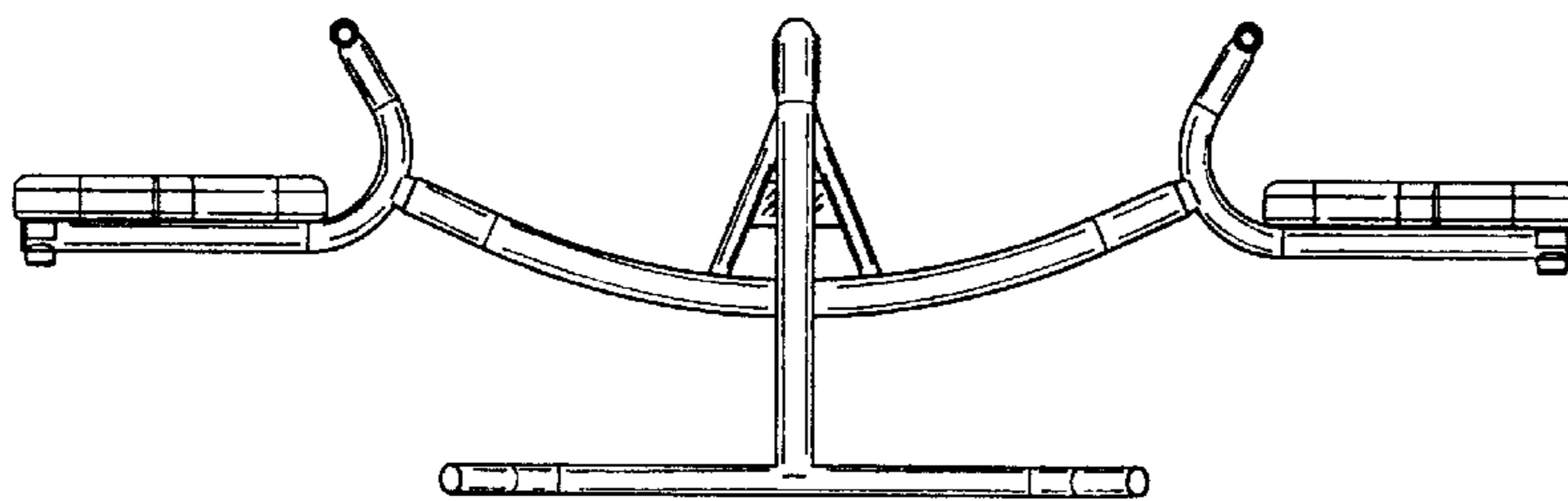


FIG. 3

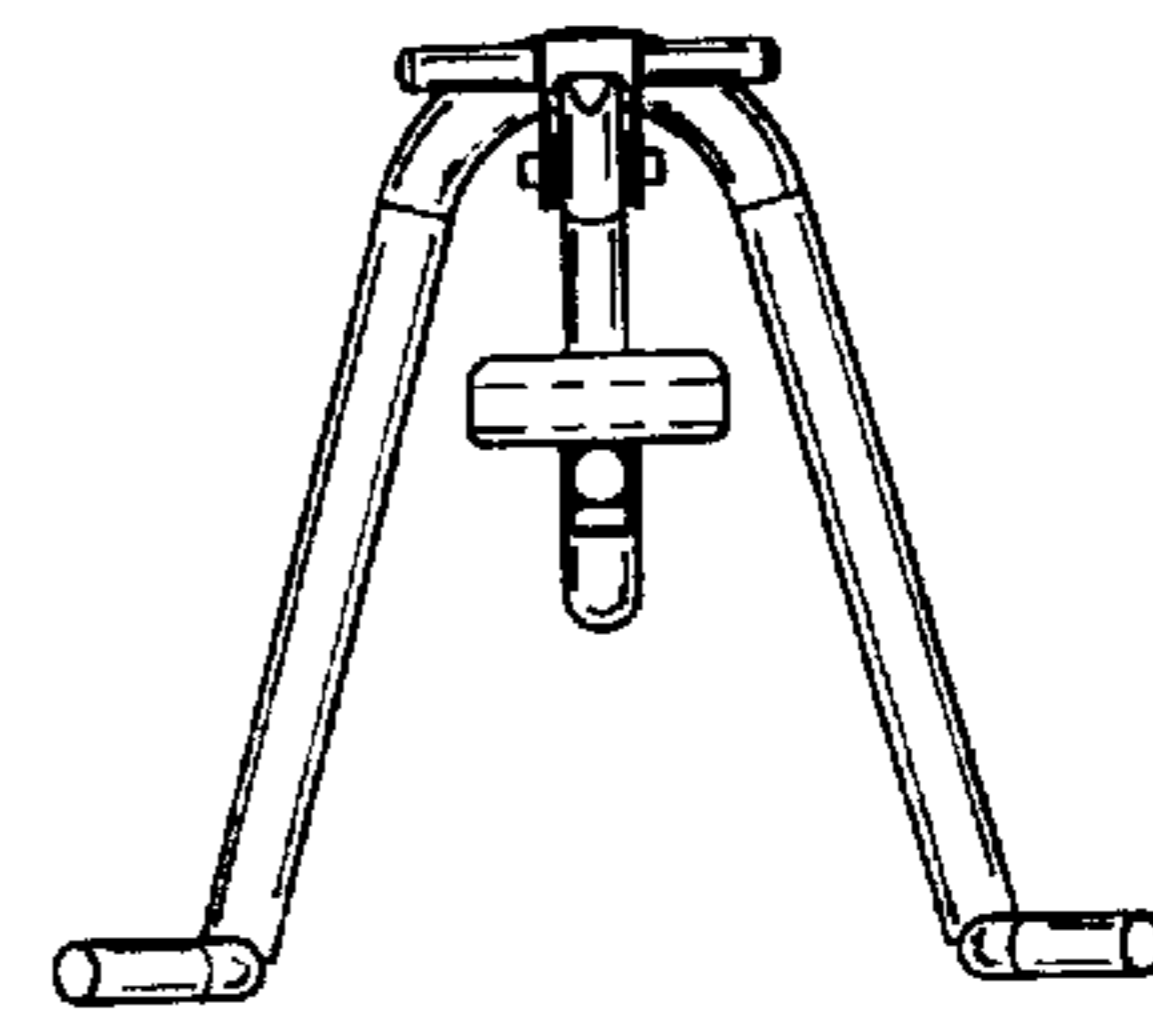


FIG. 4