



US00D512737S

(12) **United States Design Patent** (10) **Patent No.:** **US D512,737 S**  
**Azuma et al.** (45) **Date of Patent:** **\*\* Dec. 13, 2005**

(54) **DLP PROJECTOR**

D497,929 S \* 11/2004 Ohki et al. .... D16/230  
D498,781 S \* 11/2004 Azuma et al. .... D16/230  
6,837,583 B2 \* 1/2005 Gishi et al. .... 353/119

(75) Inventors: **Sadayoshi Azuma, Kyoto (JP);  
Yoshihito Morishita, Neyagawa (JP)**

**FOREIGN PATENT DOCUMENTS**

(73) Assignee: **Matsushita Electric Industrial Co.,  
Ltd., Osaka (JP)**

|    |          |         |
|----|----------|---------|
| JP | D1092912 | 12/2000 |
| JP | D1102869 | 3/2001  |
| JP | D1201428 | 4/2004  |
| JP | D1201437 | 4/2004  |
| JP | D1201740 | 4/2004  |

(\*\*) **Term: 14 Years**

(21) Appl. No.: **29/208,720**

**OTHER PUBLICATIONS**

(22) Filed: **Jul. 2, 2004**

Catalog for Projector, issued by SANYO Electric Co., Ltd.,  
Oct. 2003.

(30) **Foreign Application Priority Data**

Apr. 9, 2004 (JP) ..... 2004-011039

\* cited by examiner

(51) **LOC (6) Cl. .... 16-02**

*Primary Examiner*—Adir Aronovich

(52) **U.S. Cl. .... D16/230**

(74) *Attorney, Agent, or Firm*—Brinks Hofer Gilson &  
Lione

(58) **Field of Search** ..... D16/205, 208,  
D16/213, 221, 225, 230, 231, 234; D21/514;  
352/34, 242, 243; 353/119, 122

(57) **CLAIM**

(56) **References Cited**

The ornamental design for a DLP projector, as shown and  
described.

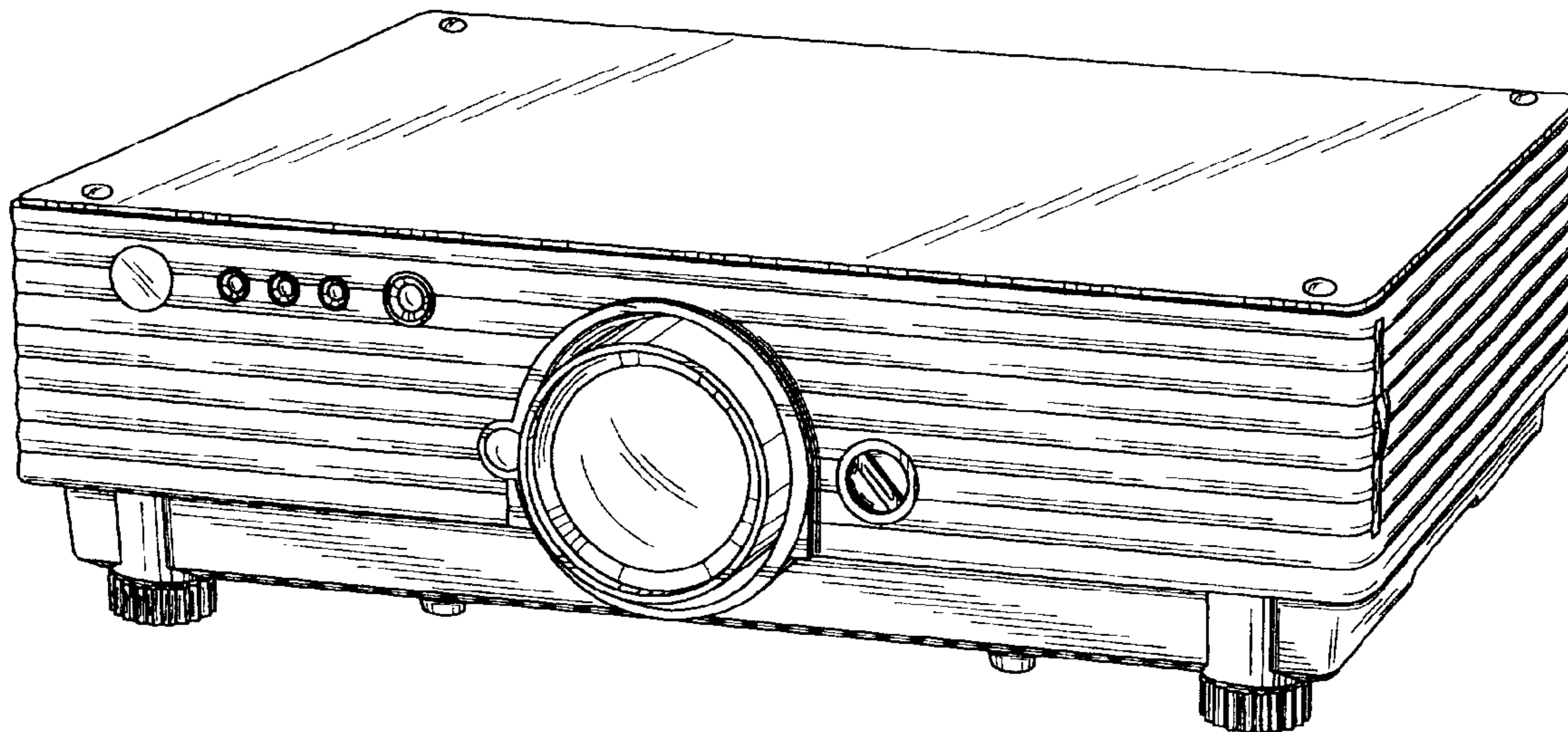
**U.S. PATENT DOCUMENTS**

**DESCRIPTION**

|            |           |                      |         |
|------------|-----------|----------------------|---------|
| D391,950 S | 3/1998    | Takami et al.        |         |
| D401,955 S | 12/1998   | Kawamoto et al.      |         |
| D402,679 S | 12/1998   | Kawamoto et al.      |         |
| D418,532 S | 1/2000    | Kuramoto et al.      |         |
| D421,037 S | 2/2000    | Kawamoto et al.      |         |
| D425,097 S | 5/2000    | Kuramoto             |         |
| D439,923 S | 4/2001    | Kawamoto             |         |
| D449,331 S | * 10/2001 | Kawahara et al. .... | D16/230 |
| D450,076 S | * 11/2001 | Fujimaki .....       | D16/230 |
| D454,903 S | 3/2002    | Kawamoto et al.      |         |
| D463,476 S | * 9/2002  | Takizawa .....       | D16/231 |
| D476,353 S | 6/2003    | Morishita et al.     |         |

FIG. 1 is a top perspective view of a DLP projector of the  
present invention;  
FIG. 2 is a front view thereof;  
FIG. 3 is a rear view thereof;  
FIG. 4 is a first side view thereof;  
FIG. 5 is a second side view thereof;  
FIG. 6 is a top view thereof; and,  
FIG. 7 is a bottom view thereof.

**1 Claim, 7 Drawing Sheets**



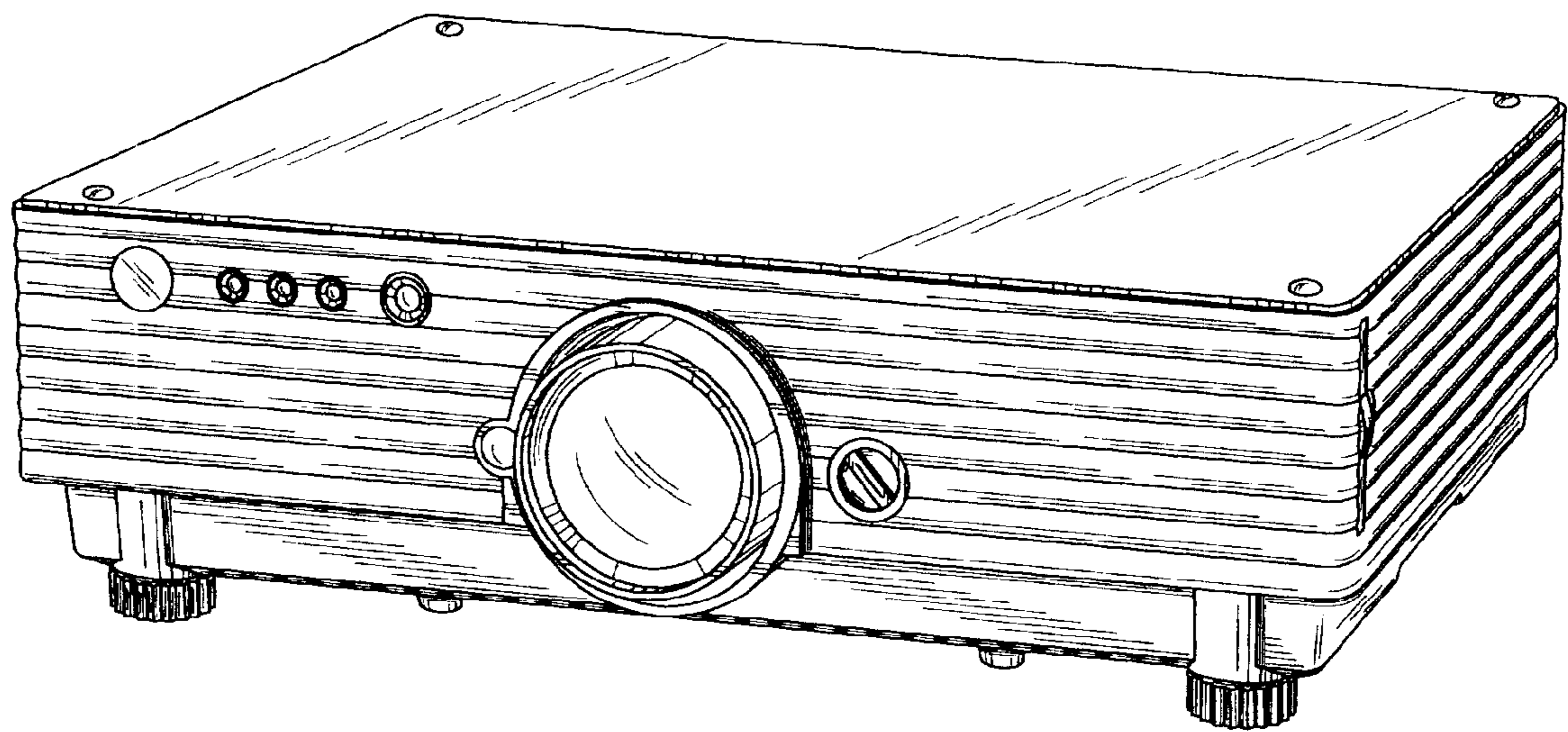


FIG. 1

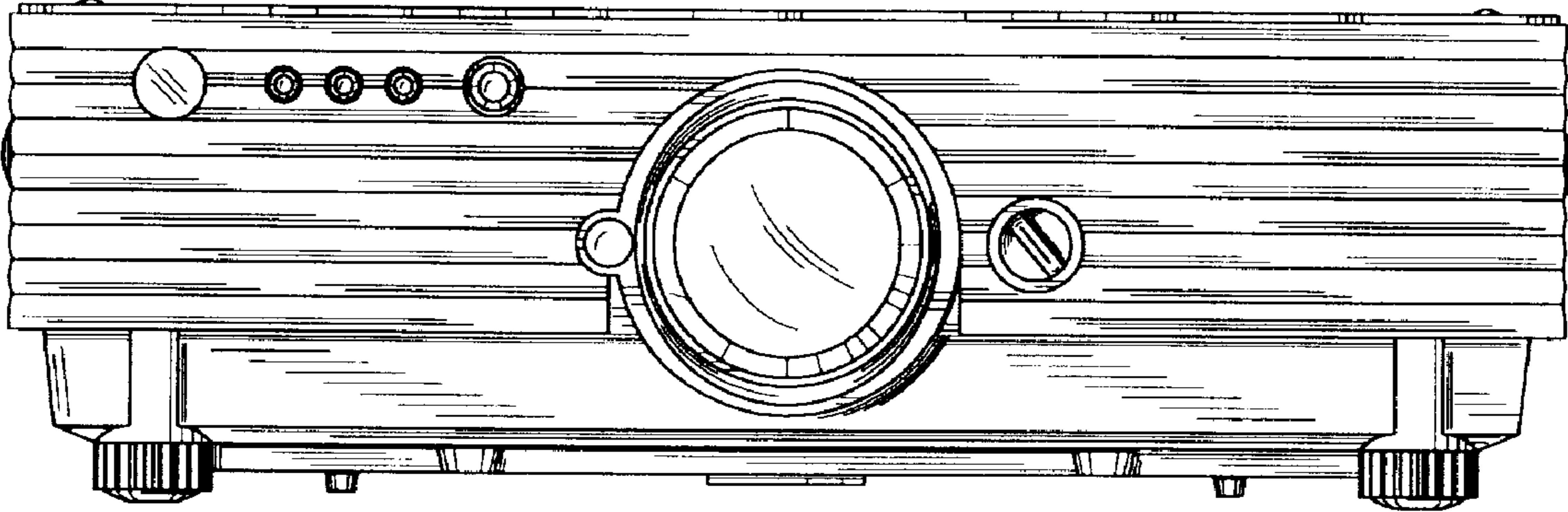


FIG. 2

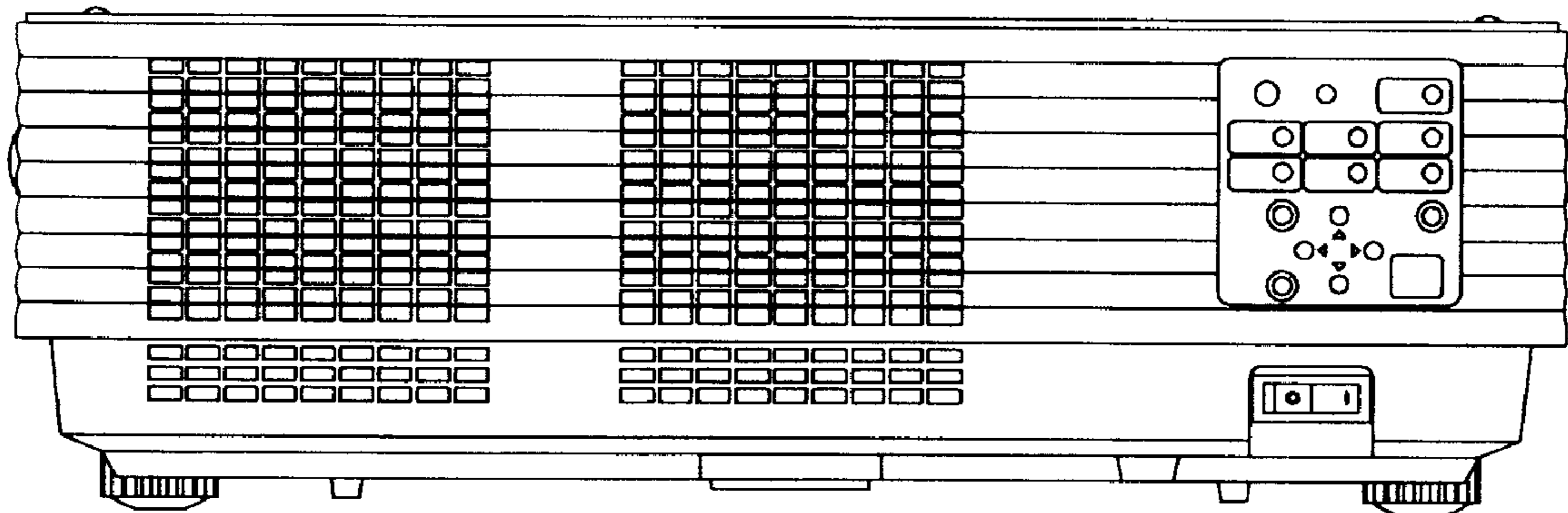


FIG. 3

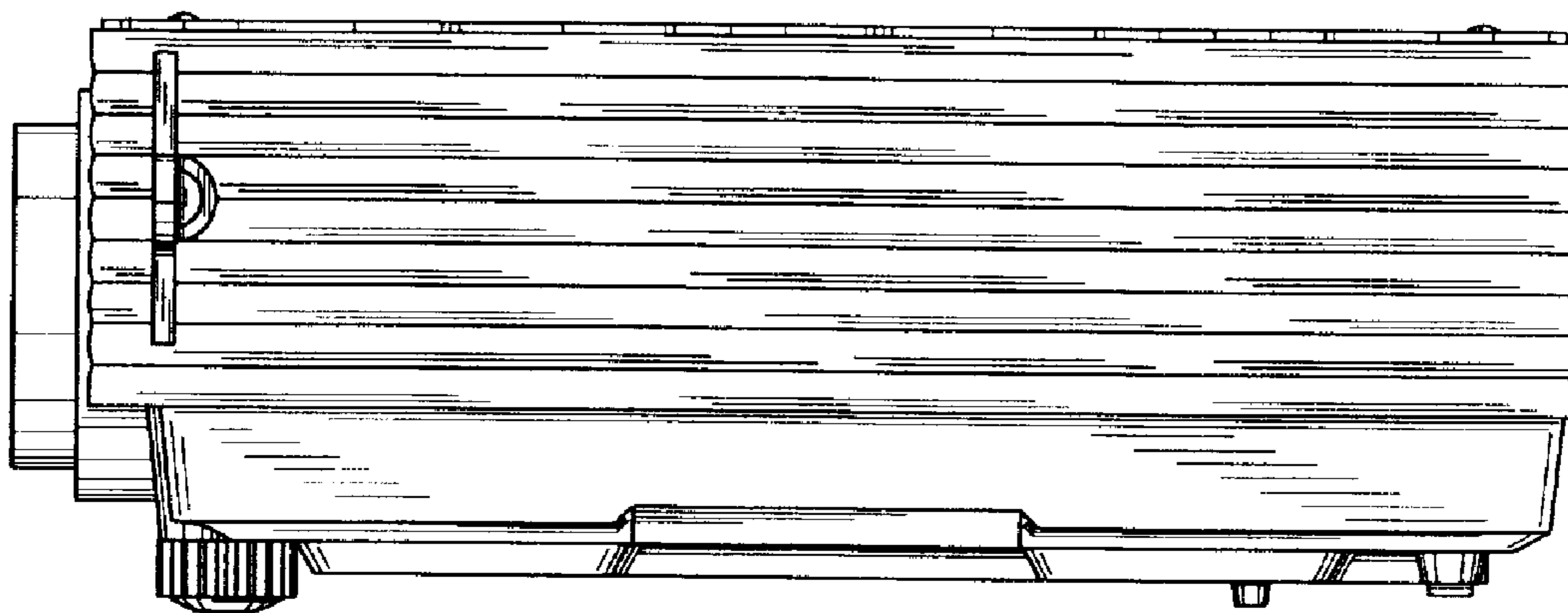


FIG. 4

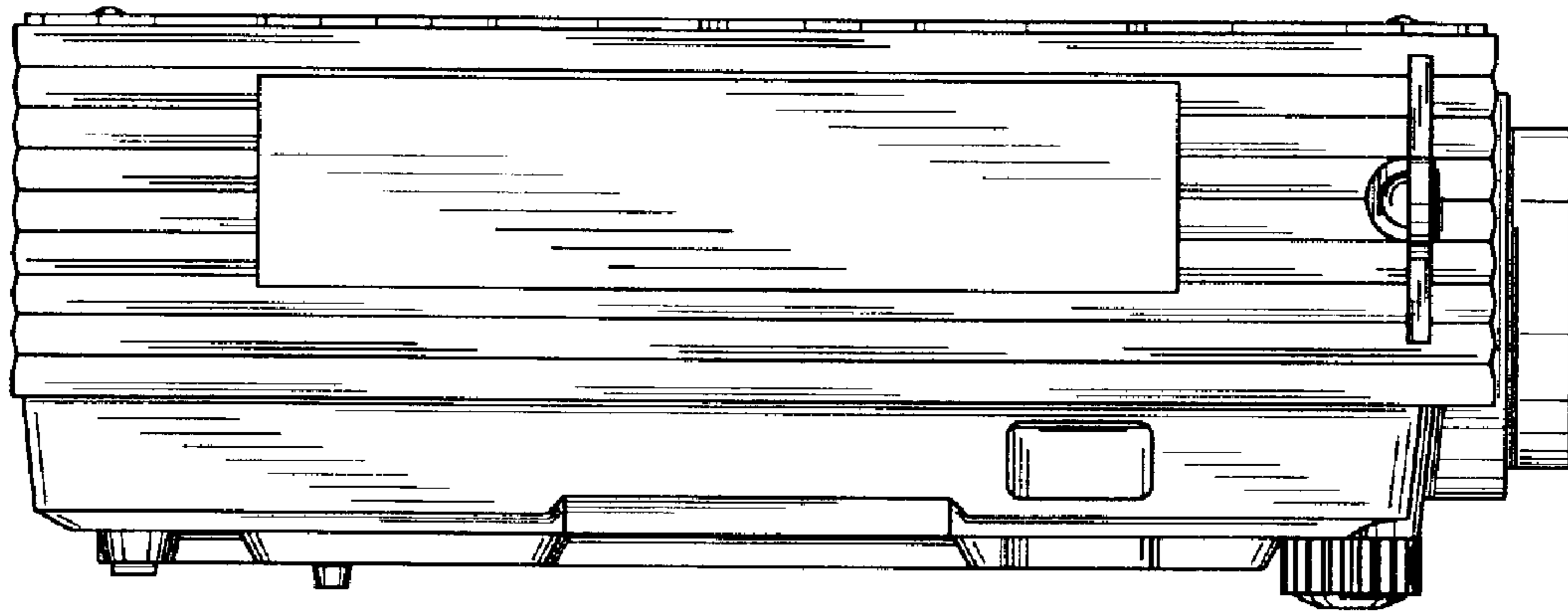


FIG. 5

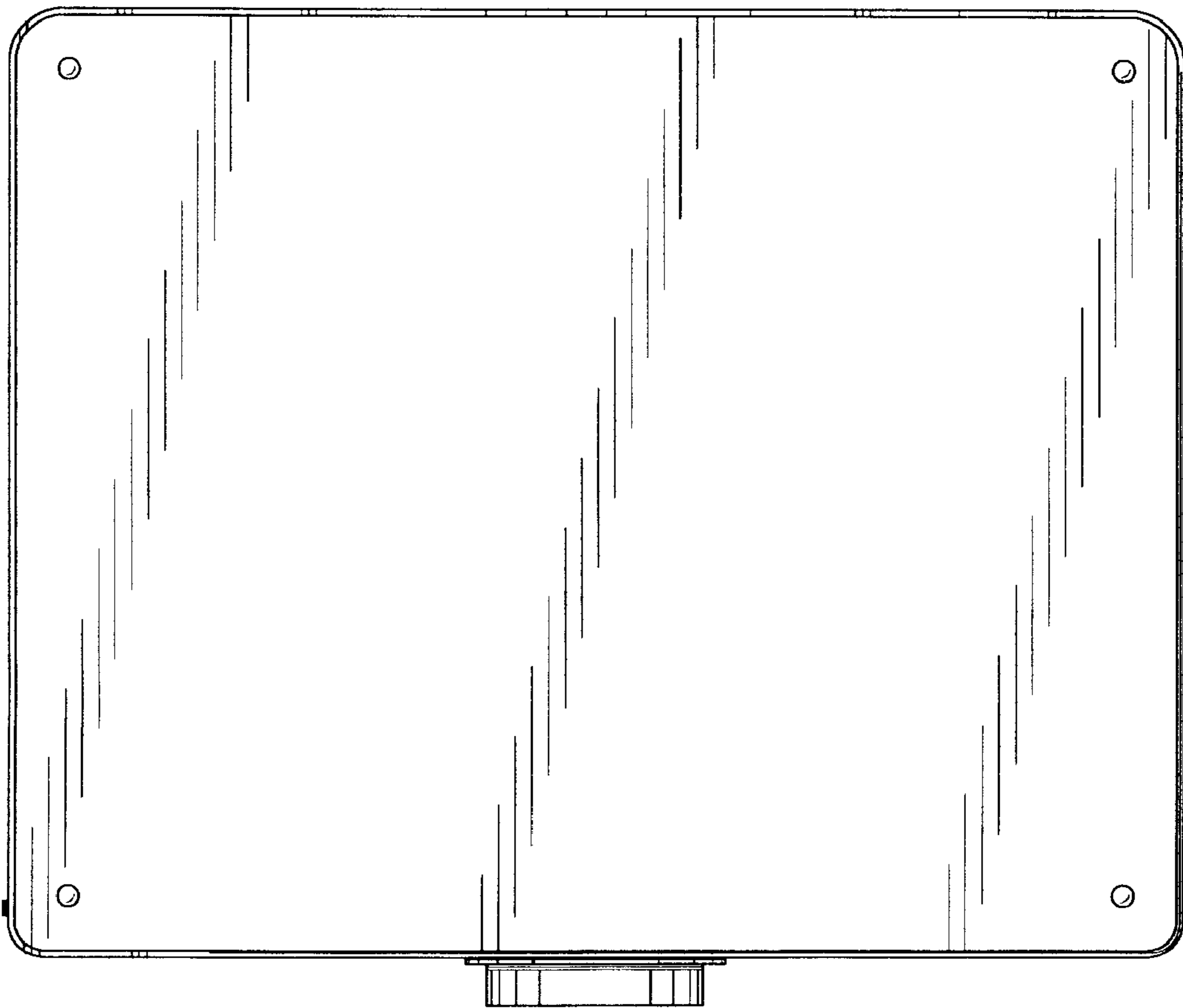


FIG. 6

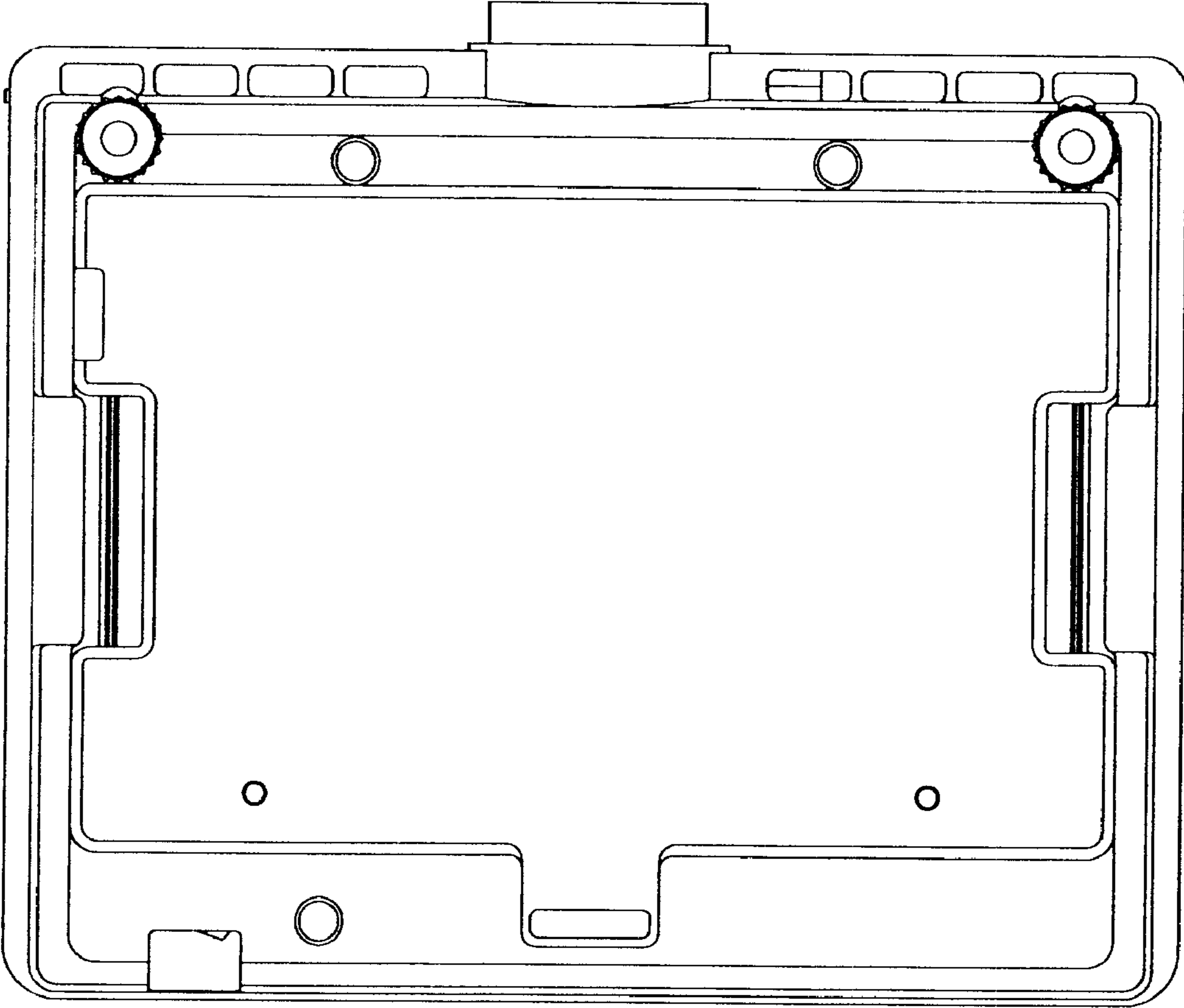


FIG. 7