



US00D512735S

(12) **United States Design Patent**  
**Hayamizu**

(10) **Patent No.:** **US D512,735 S**

(45) **Date of Patent:** **\*\* Dec. 13, 2005**

(54) **BINOCULARS**

(75) **Inventor:** **Eiji Hayamizu, Tokyo (JP)**

(73) **Assignee:** **PENTAX Corporation, Tokyo (JP)**

(\*\*) **Term:** **14 Years**

(21) **Appl. No.:** **29/210,834**

(22) **Filed:** **Aug. 9, 2004**

(30) **Foreign Application Priority Data**

Feb. 9, 2004 (JP) ..... 2004-003227

(51) **LOC (6) Cl. .... 16-06**

(52) **U.S. Cl. .... D16/133**

(58) **Field of Search** ..... D16/200, 219,  
D16/132, 133; 359/407, 409, 415-419,  
420; 273/157 R, 261, 244, 258, 269, 288,  
317.3, 353; D17/20; 84/322; 984/123; 222/566;  
434/170

(56) **References Cited**

**U.S. PATENT DOCUMENTS**

1,340,512 A	*	5/1920	Wild	.....	446/100
2,449,890 A	*	9/1948	Garlick	.....	84/332
2,614,842 A	*	10/1952	Rice	.....	273/261
3,464,124 A	*	9/1969	Lynd	.....	434/170
4,891,276 A	*	1/1990	Exner	.....	428/670

5,651,481 A	*	7/1997	Jensen	.....	222/566
D406,597 S	*	3/1999	Kimura et al.	.....	D16/133
D449,330 S	*	10/2001	Suzuki et al.	.....	D16/219
D452,519 S	*	12/2001	Suzuki	.....	D16/219
D453,942 S	*	2/2002	Suzuki et al.	.....	D16/219
D463,473 S	*	9/2002	Miyashita	.....	D16/219

\* cited by examiner

*Primary Examiner*—Paula A. Greene

(74) *Attorney, Agent, or Firm*—Sughrue Mion, PLLC

(57) **CLAIM**

The ornamental design for binoculars, as shown and described.

**DESCRIPTION**

FIG. 1 is a perspective view of a top, front, right side of binoculars showing my new design, the undisclosed bottom is not part of the claimed design;

FIG. 2 is a front elevational view thereof;

FIG. 3 is a rear elevational view thereof;

FIG. 4 is a right side elevational view thereof;

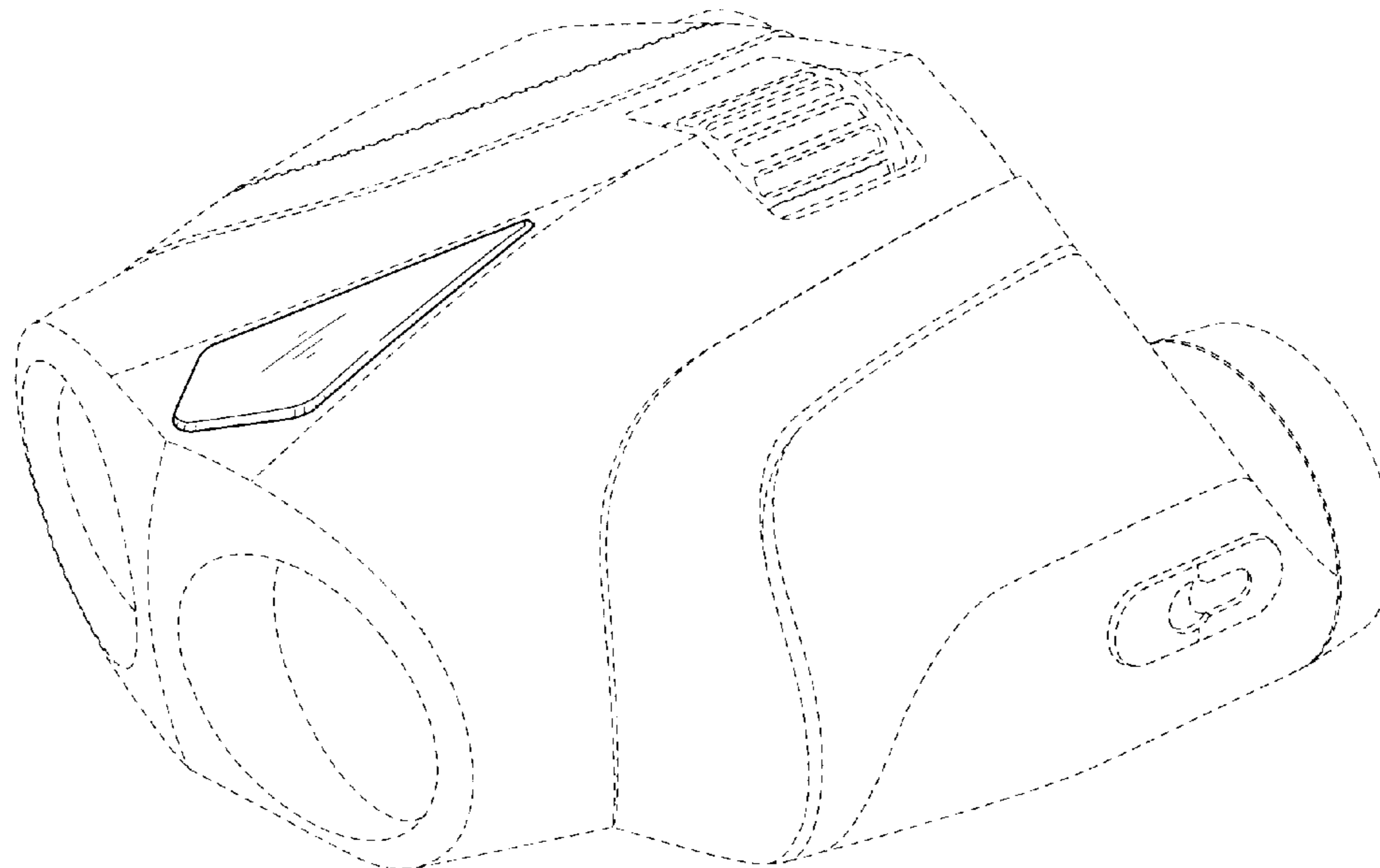
FIG. 5 is a left side elevational view thereof;

FIG. 6 is a top plan view thereof; and,

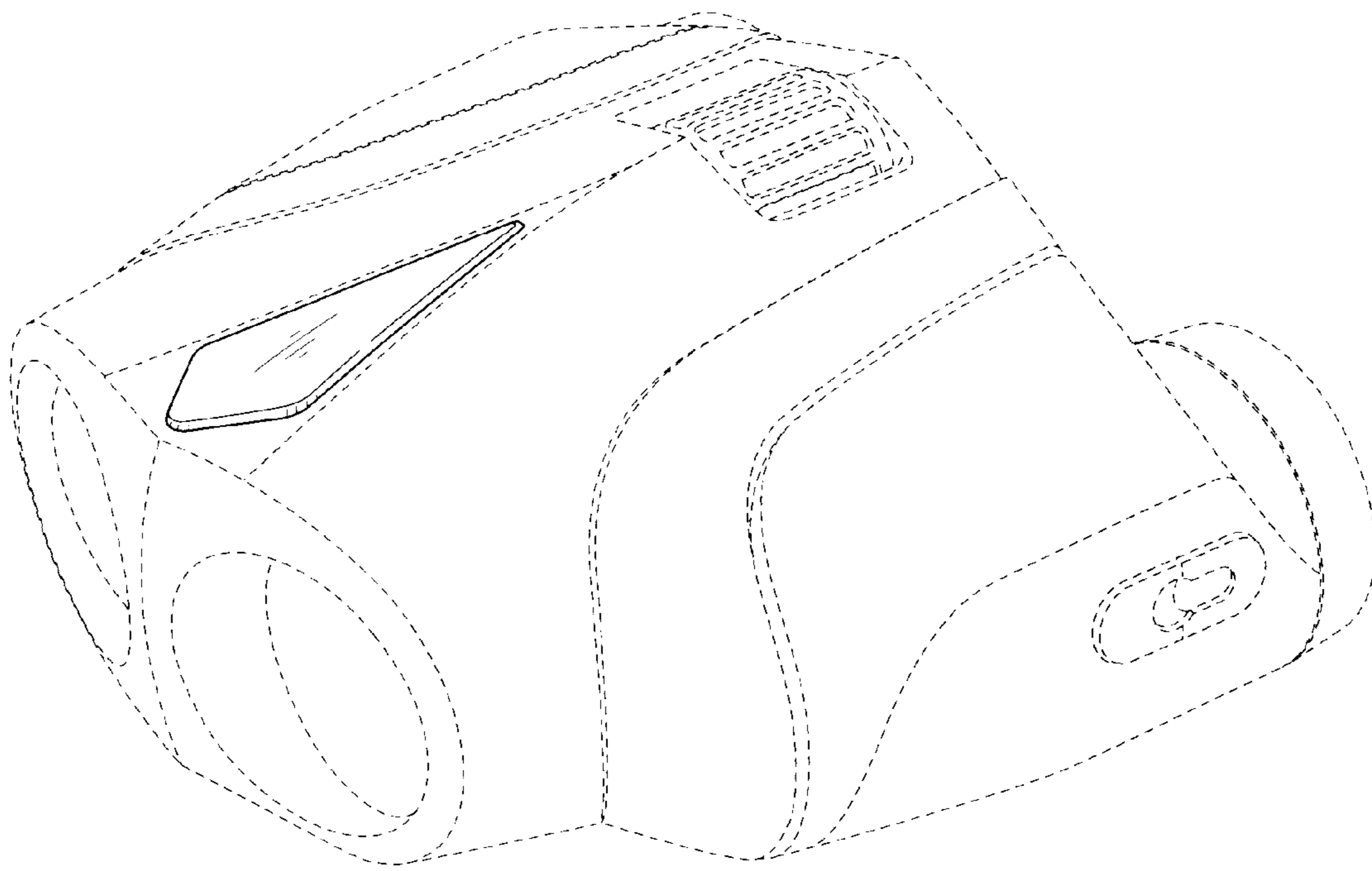
FIG. 7 is a bottom plan view thereof.

The elements shown in broken lines are for illustrative purposes only and form no part of the claimed design.

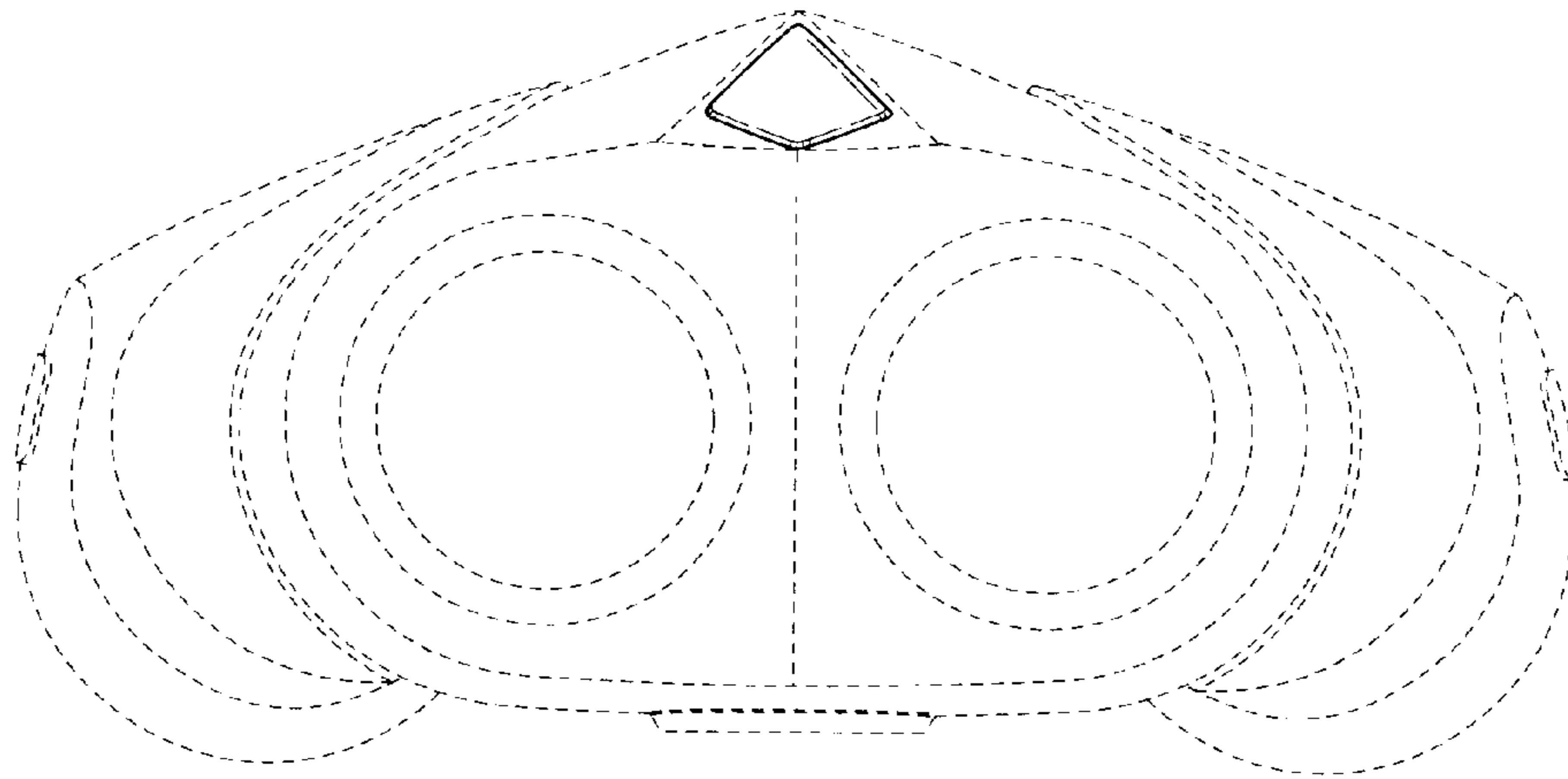
**1 Claim, 5 Drawing Sheets**



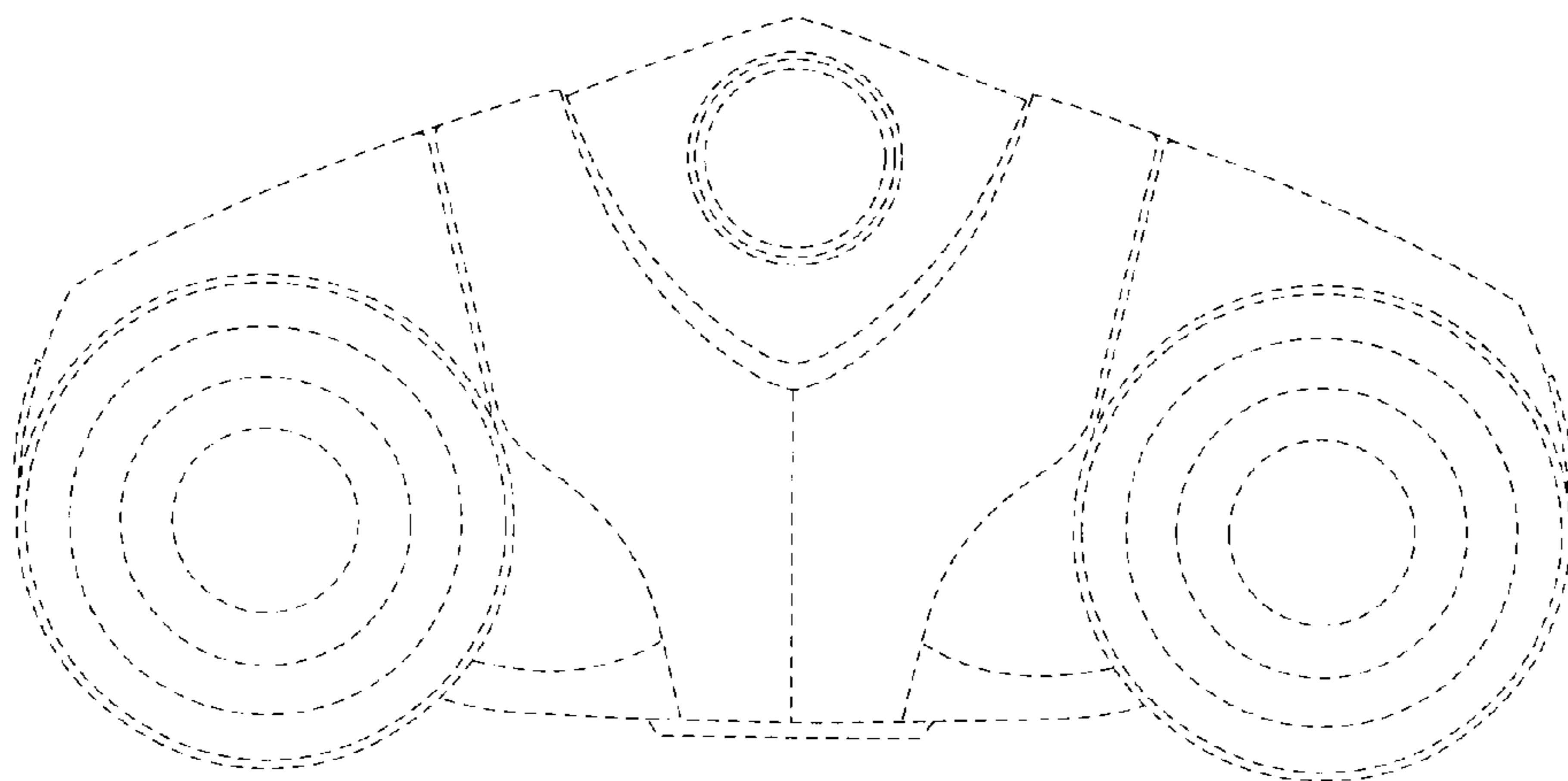
*FIG. 1*



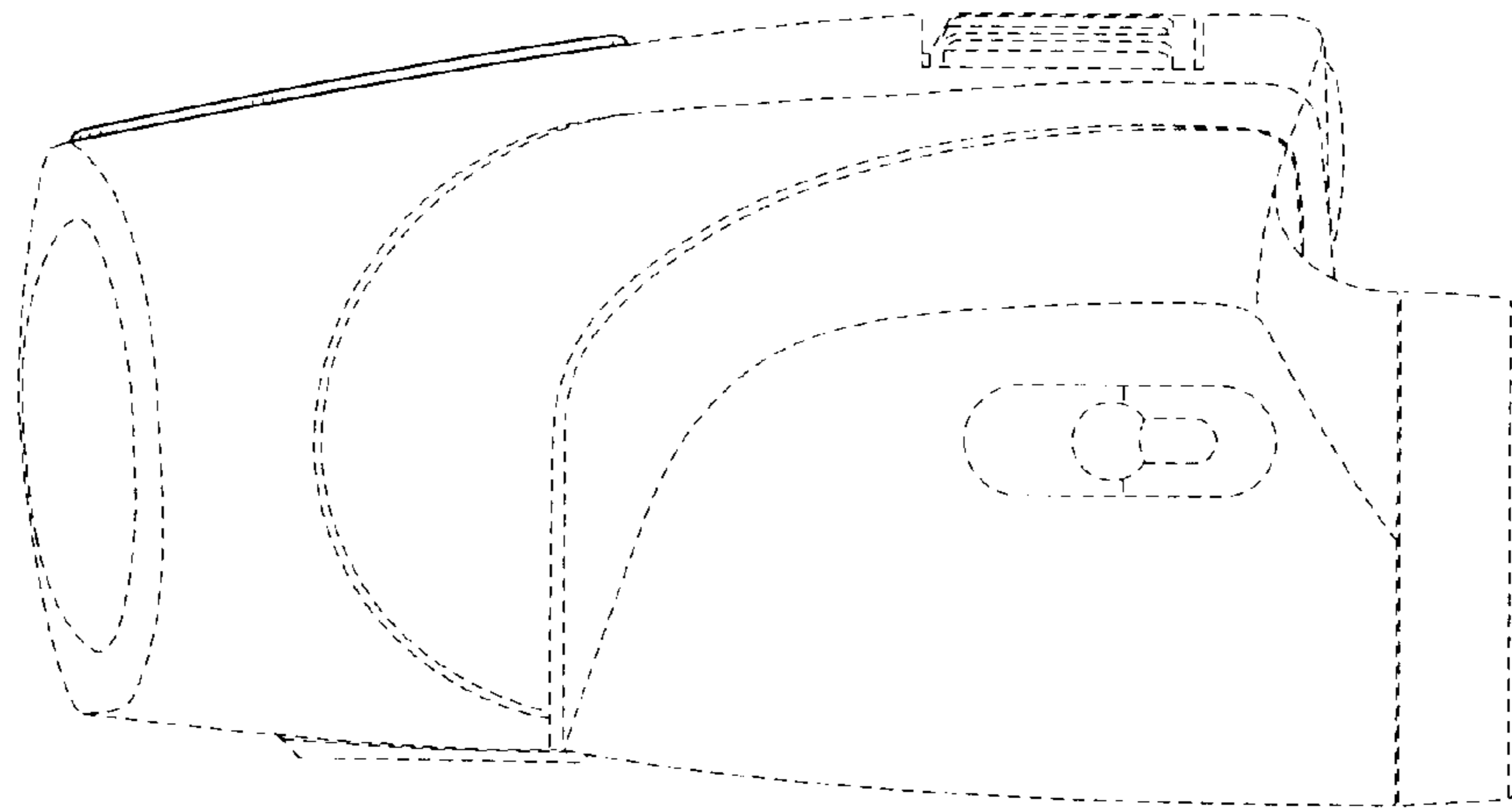
*FIG. 2*



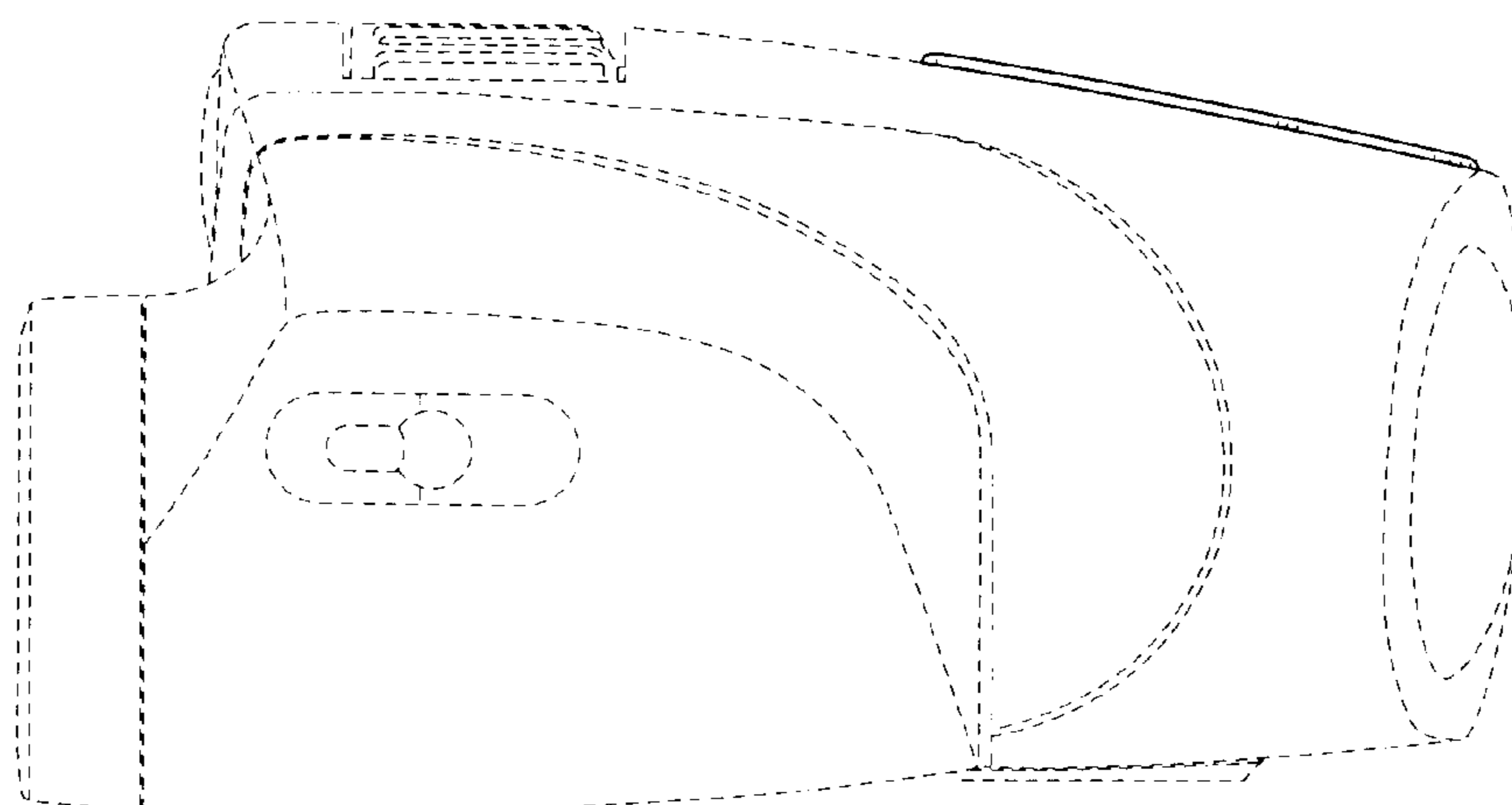
*FIG. 3*



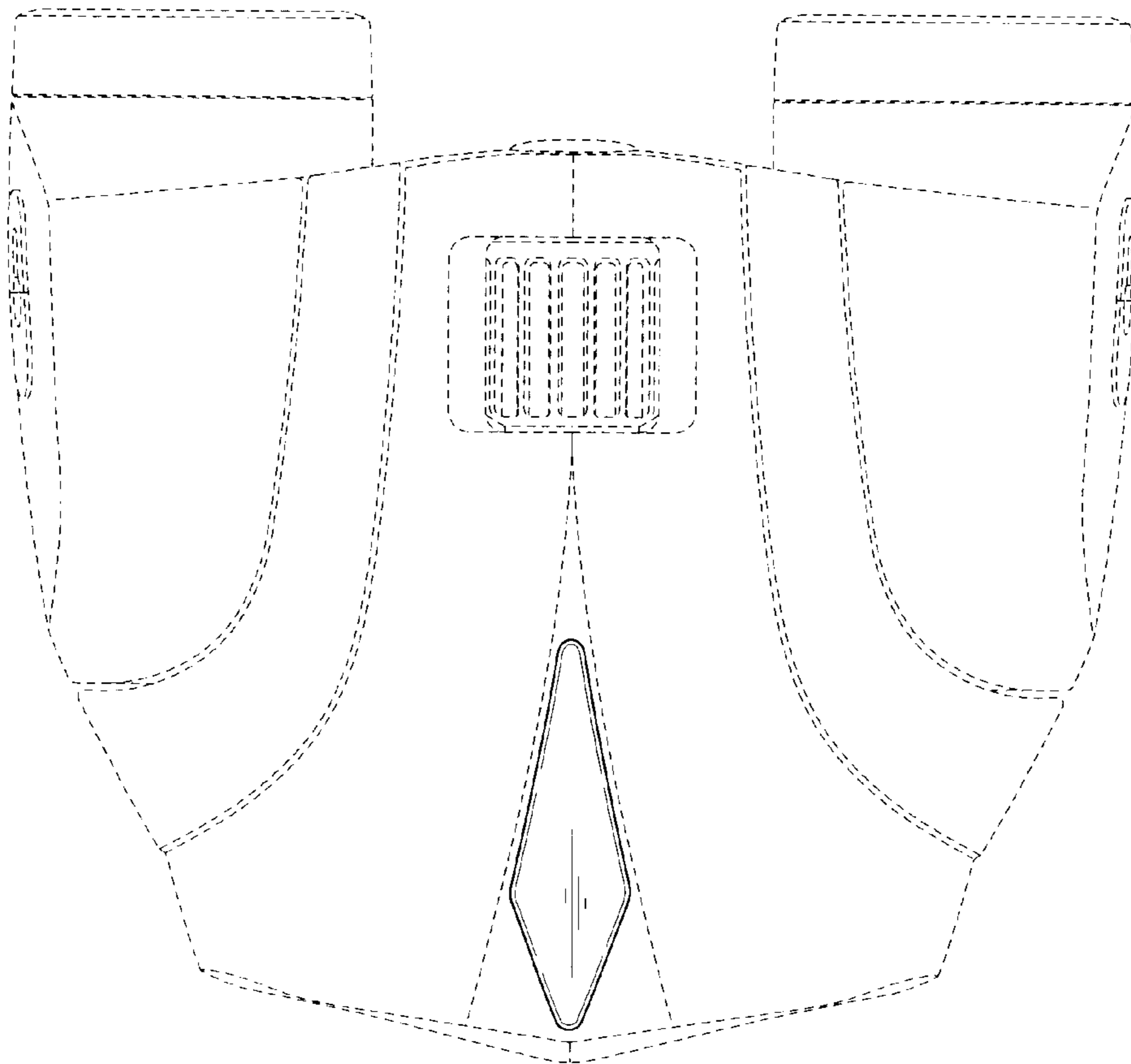
*FIG. 4*



*FIG. 5*



*FIG. 6*



*FIG. 7*

