



US00D512734S

(12) **United States Design Patent**
Messina et al.

(10) **Patent No.:** **US D512,734 S**
(45) **Date of Patent:** **** Dec. 13, 2005**

(54) **ELECTRIC LAMINATOR**
(75) Inventors: **Kristen W. Messina**, Westlake, OH (US); **Thomas G. Pavlak**, Commerce, MI (US)

D442,199 S * 5/2001 Cheng D15/146
D453,171 S * 1/2002 Cheng D15/146
6,467,523 B2 10/2002 Botta
6,660,123 B2 12/2003 Murphy
6,684,925 B2 2/2004 Nagate et al.

(73) Assignee: **Henkel Consumer Adhesives, Inc.**, Avon, OH (US)

* cited by examiner

(**) Term: **14 Years**

Primary Examiner—Antoine D. Davis
(74) *Attorney, Agent, or Firm*—Fay, Sharpe, Fagan Minnich & McKee, LLP

(21) Appl. No.: **29/202,192**

(57) **CLAIM**

(22) Filed: **Mar. 26, 2004**

The ornamental design for an electric laminator, as shown and described.

(51) **LOC (6) Cl.** **15-09**

DESCRIPTION

(52) **U.S. Cl.** **D15/146**

(58) **Field of Search** D15/145–146;
53/374.9, 389.2, 389.3, 390, 510, 512;
101/9; 156/515, 583.4, 583.9; 219/143;
493/256

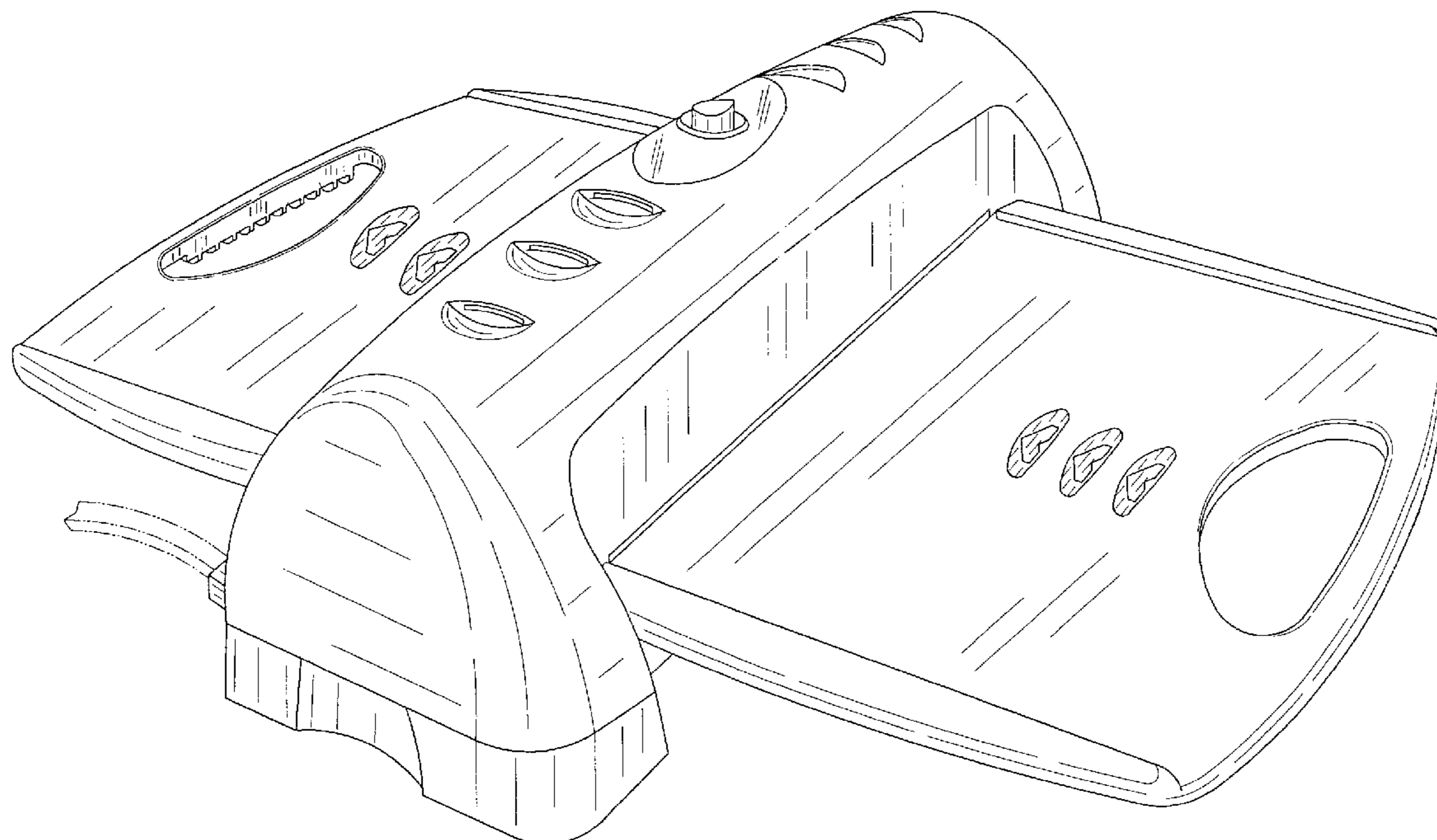
FIG. 1 is a perspective view of an electric laminator with inlet and outlet trays in an operational position;
FIG. 2 is a perspective view of the electric laminator with inlet and outlet trays in a raised position;
FIG. 3 is a top view of the electric laminator as seen in FIG. 1;
FIG. 4 is a bottom view of the electric laminator as seen in FIG. 1;
FIG. 5 is a front plan view of the electric laminator as seen in FIG. 1;
FIG. 6 is a rear plan view of the electric laminator as seen in FIG. 1;
FIG. 7 is a first side plan view of the electric laminator as seen in FIG. 1; and,
FIG. 8 is the other side plan view of the electric laminator as seen in FIG. 1.
The broken line showing is for illustrative purposes only and forms no part of the claimed design.

(56) **References Cited**

U.S. PATENT DOCUMENTS

3,711,355 A	1/1973	Staats et al.	
4,859,274 A	8/1989	Marvel	
5,133,828 A	7/1992	Jacques	
5,158,641 A	10/1992	Vermeulen et al.	
5,368,677 A	11/1994	Ueda et al.	
5,369,246 A	11/1994	Nanos	
D353,604 S	12/1994	Prokop et al.	
5,370,764 A	12/1994	Alikhan	
5,520,775 A	5/1996	Fischl et al.	
5,728,257 A	3/1998	Lee	
5,746,878 A	5/1998	Kuhns et al.	
6,131,636 A	10/2000	Anderson et al.	
D441,774 S	* 5/2001	Cheng	D15/146
D441,775 S	* 5/2001	Cheng	D15/146

1 Claim, 6 Drawing Sheets



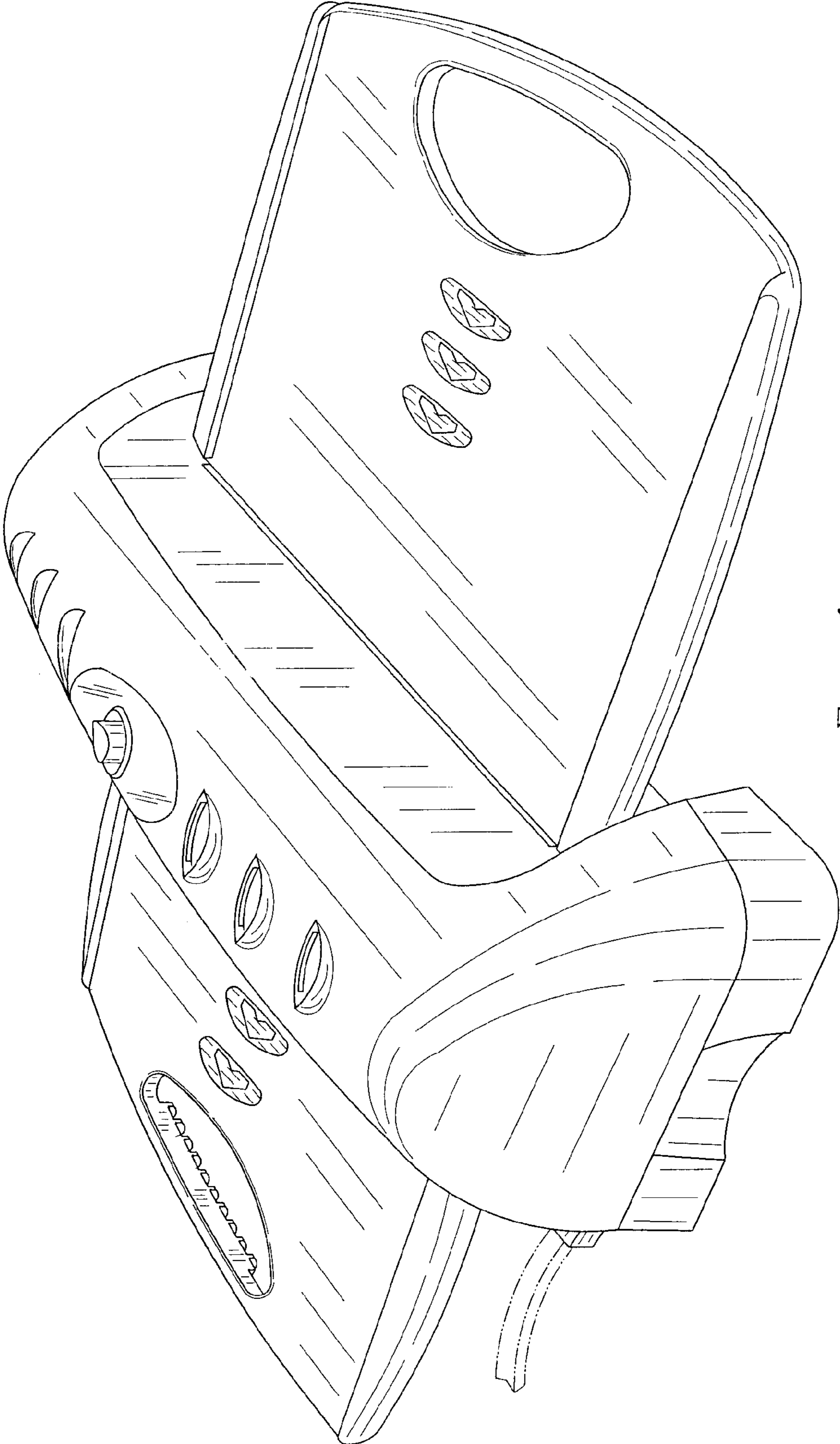


Fig. 1

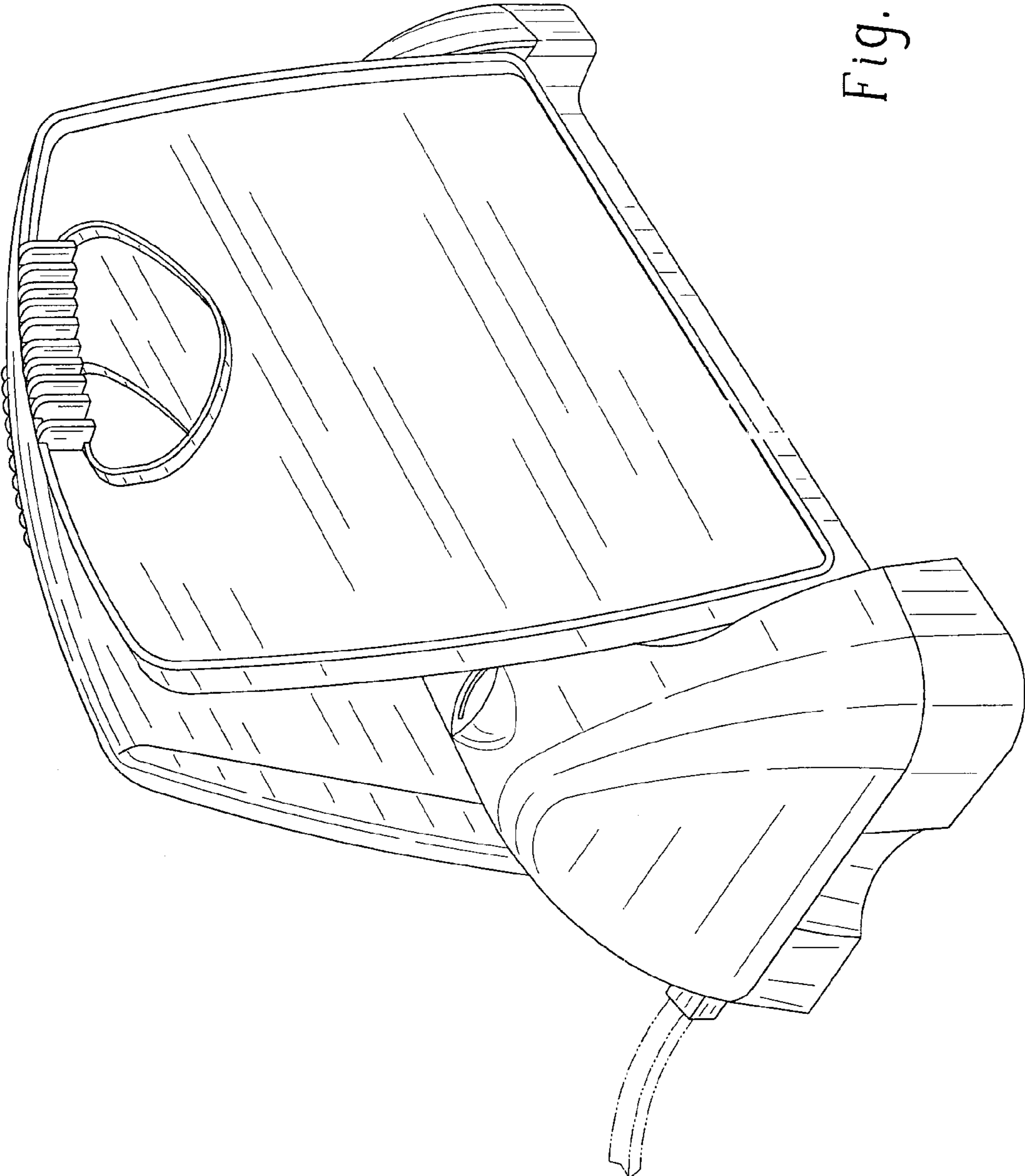


Fig. 2

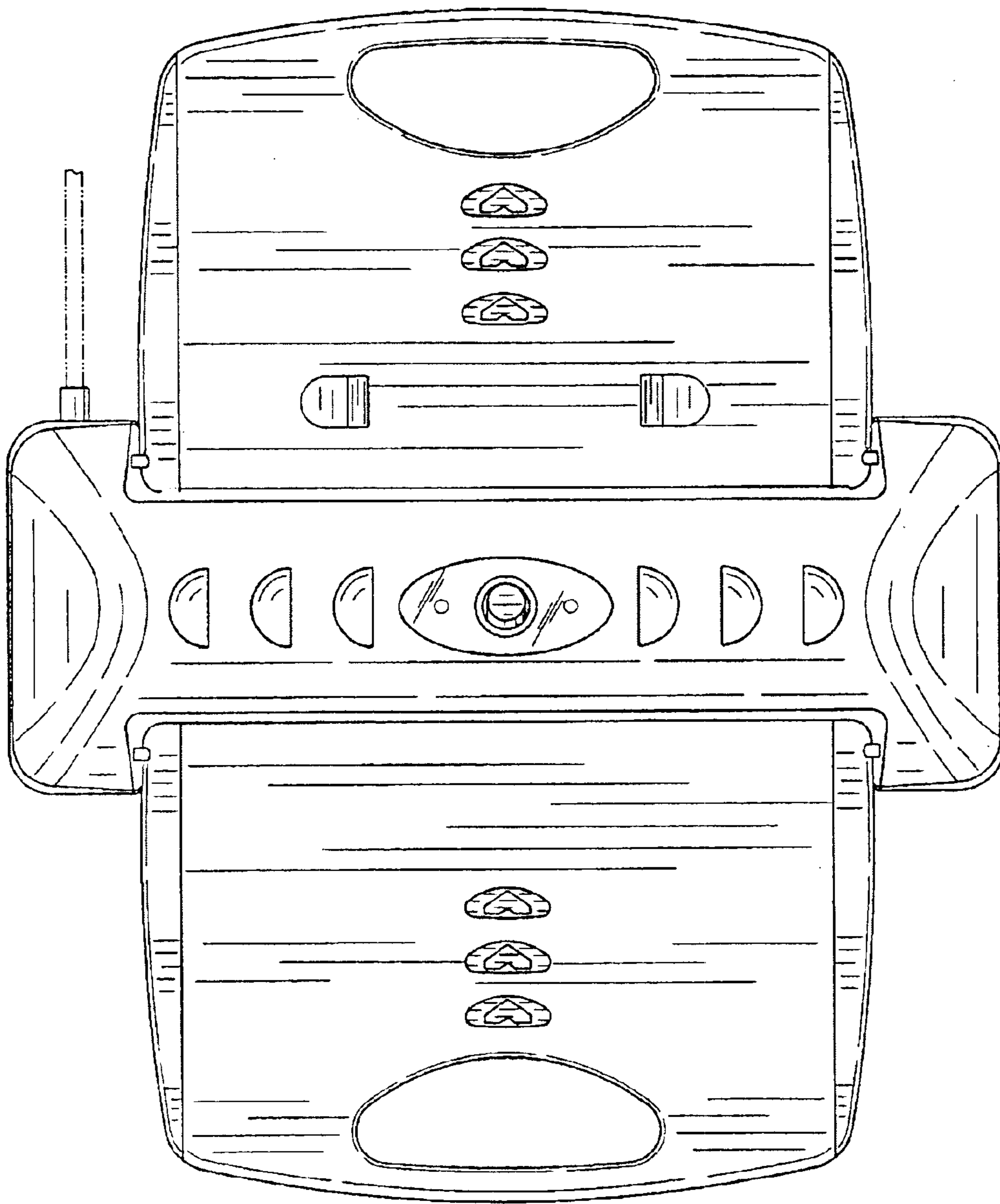


Fig. 3

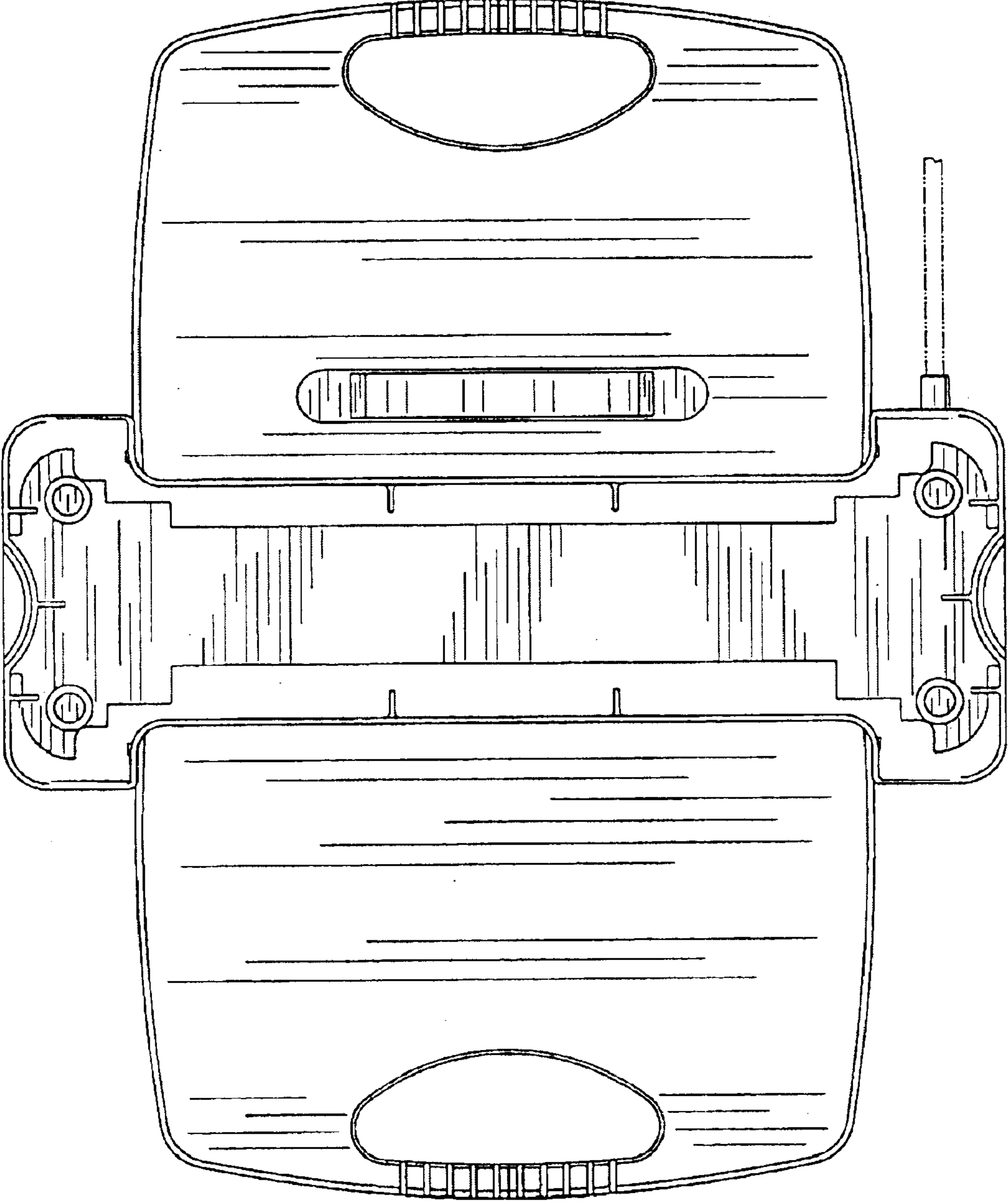


Fig. 4

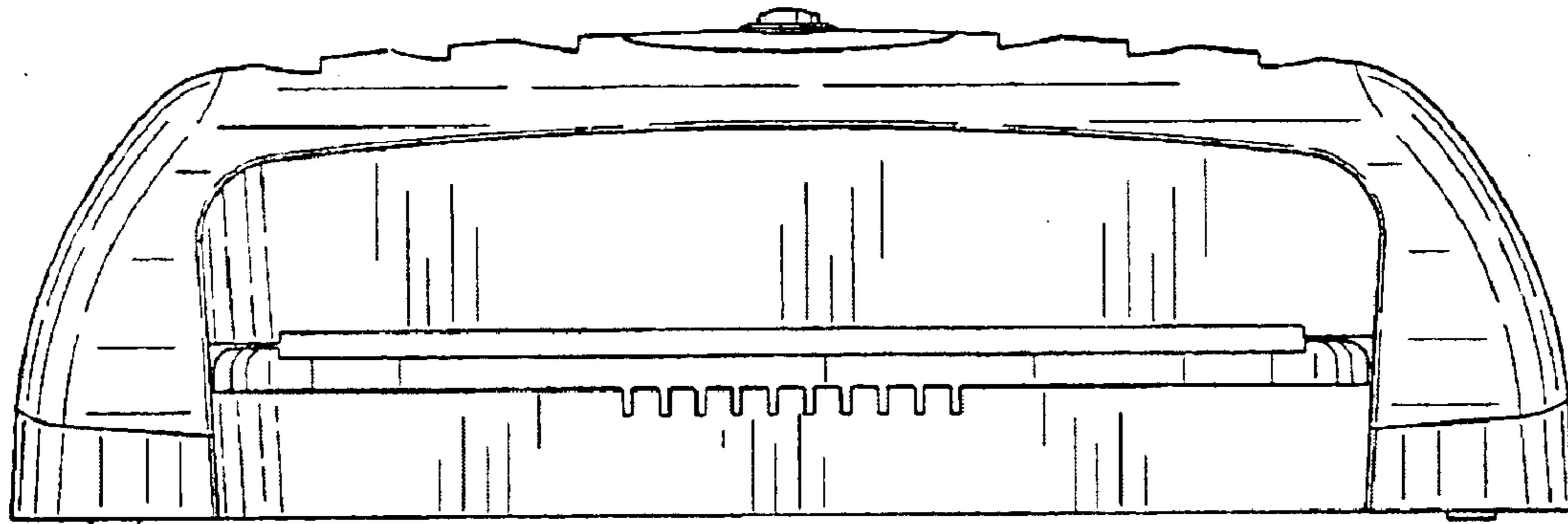


Fig. 5

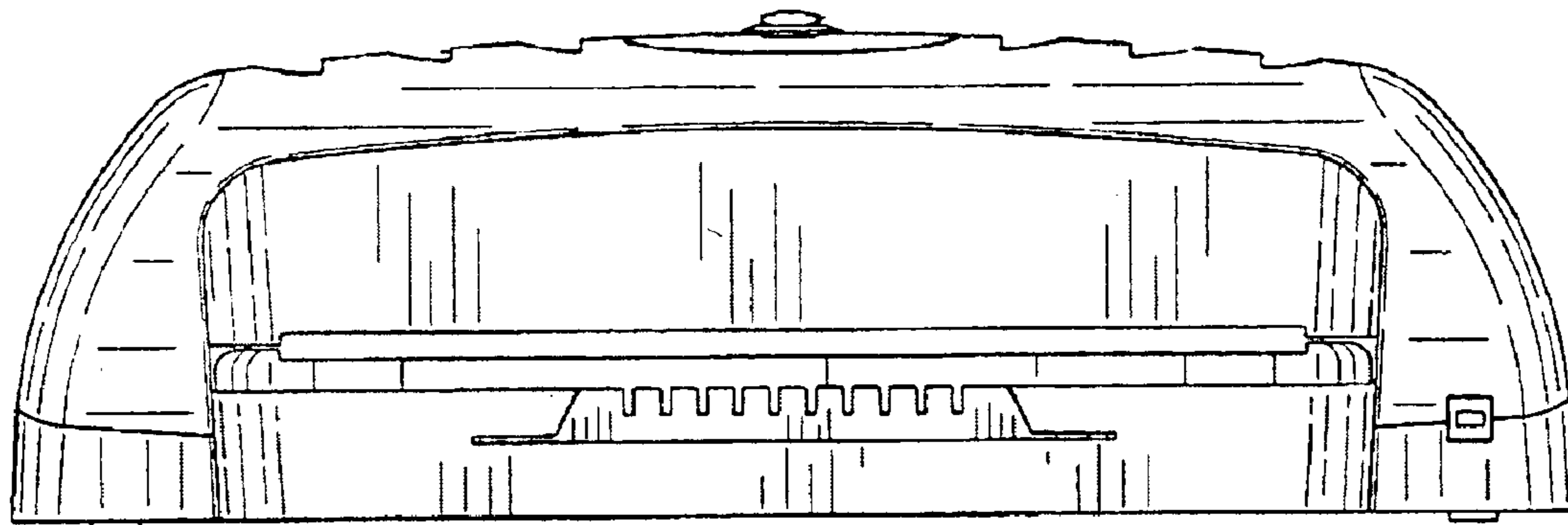


Fig. 6

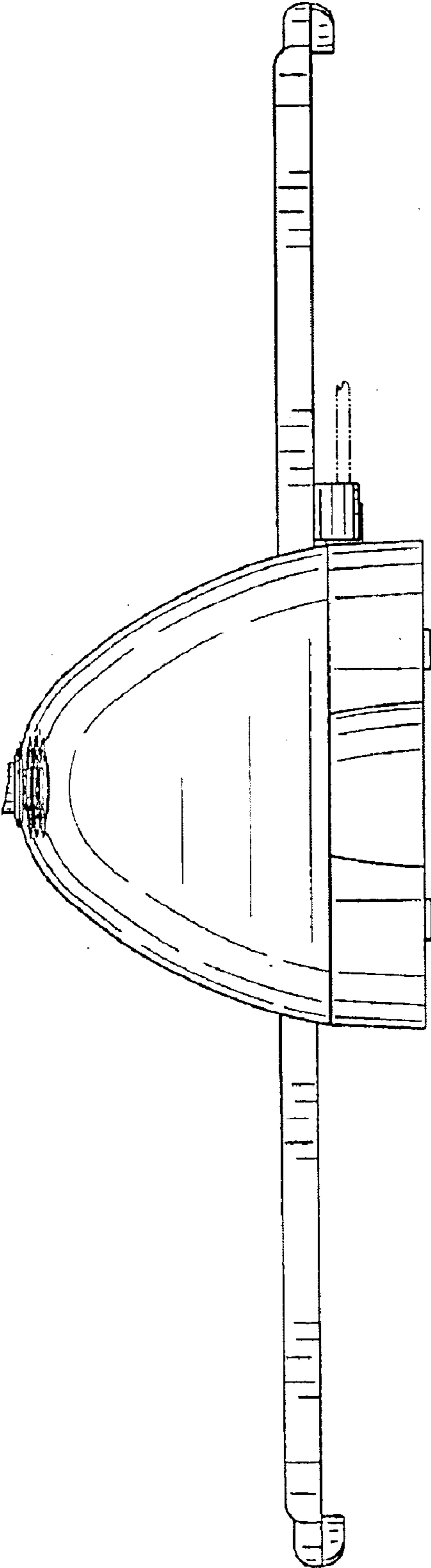


Fig. 7

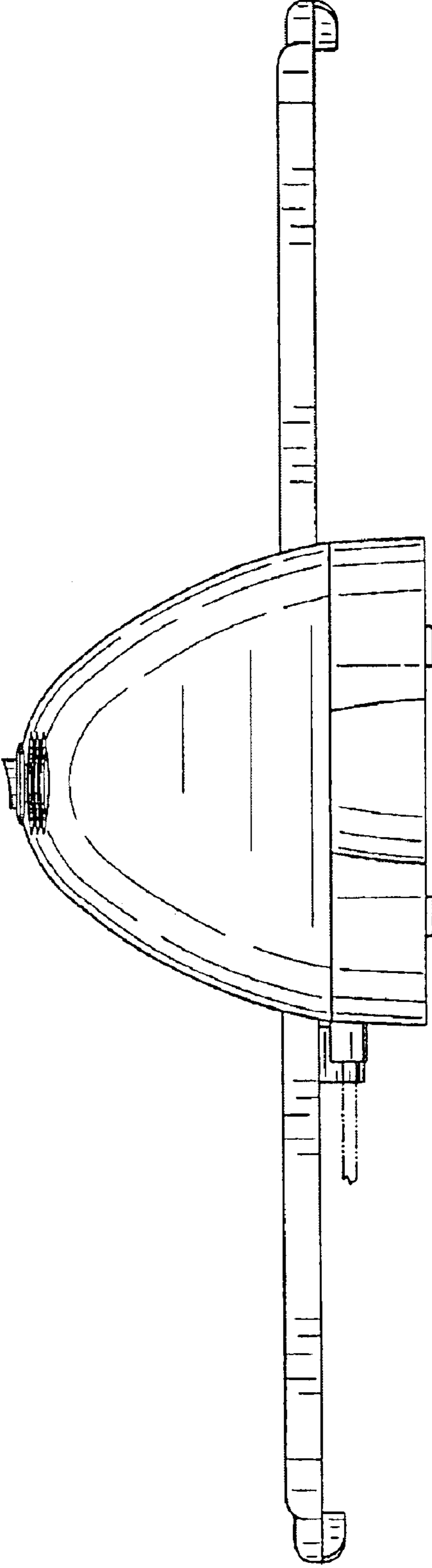


Fig. 8