



US00D512732S

(12) **United States Design Patent**
Vardon

(10) **Patent No.:** **US D512,732 S**
(45) **Date of Patent:** **** Dec. 13, 2005**

- (54) **REFRIGERATOR SHELF**
- (75) Inventor: **François Vardon**, El Marqués (MX)
- (73) Assignee: **Saint-Gobain Glass France**,
Courbevoie (FR)
- (**) Term: **14 Years**
- (21) Appl. No.: **29/217,680**
- (22) Filed: **Nov. 22, 2004**
- (51) **LOC (6) Cl.** **15-07**
- (52) **U.S. Cl.** **D15/89**
- (58) **Field of Search** D15/79, 81, 85-87,
D15/89; 62/440-449, 457, 246-255, 337,
3.6; 312/116, 247, 270.3, 319, 401, 408;
220/592.1-592.4, 4.31, 533; D6/627; 428/122;
29/451

- 6,105,233 A * 8/2000 Neal 29/451
- D482,560 S * 11/2003 Danilovski D6/627
- 6,679,573 B2 * 1/2004 Bienick 312/408
- D495,720 S * 9/2004 Avalos Barcenas et al. . D15/89

* cited by examiner

Primary Examiner—Nanda Bondade
Assistant Examiner—Shanda C. Hill
(74) *Attorney, Agent, or Firm*—Oblon, Spivak, McClelland,
Maier & Neustadt, P.C.

(57) **CLAIM**

The ornamental design for a refrigerator shelf, as shown and described.

DESCRIPTION

FIG. 1 is a front view of a refrigerator shelf, showing my design; and
FIG. 2 is a rear view thereof.
FIG. 3 is a right side view thereof.
FIG. 4 is a left side view thereof.
FIG. 5 is a top view thereof.
FIG. 6 is a bottom view thereof.
FIG. 7 is a top front right perspective view thereof; and,
FIG. 8 is a bottom rear left perspective view thereof.

1 Claim, 5 Drawing Sheets

(56) **References Cited**

U.S. PATENT DOCUMENTS

- D142,904 S * 11/1945 Paddock D15/89
- D309,461 S * 7/1990 Bussan et al. D15/89
- 5,332,611 A * 7/1994 Shanok et al. 428/122
- 5,677,030 A * 10/1997 Shanok et al. 428/122
- 5,735,589 A * 4/1998 Herrmann et al. 312/408

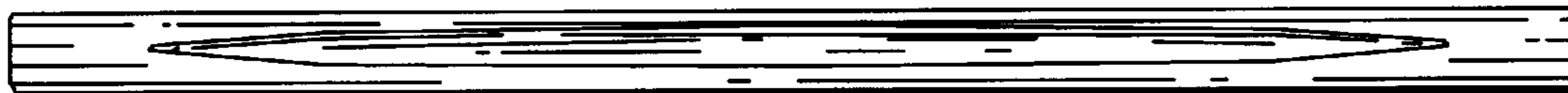




FIG. 1



FIG. 2



FIG. 3



FIG. 4

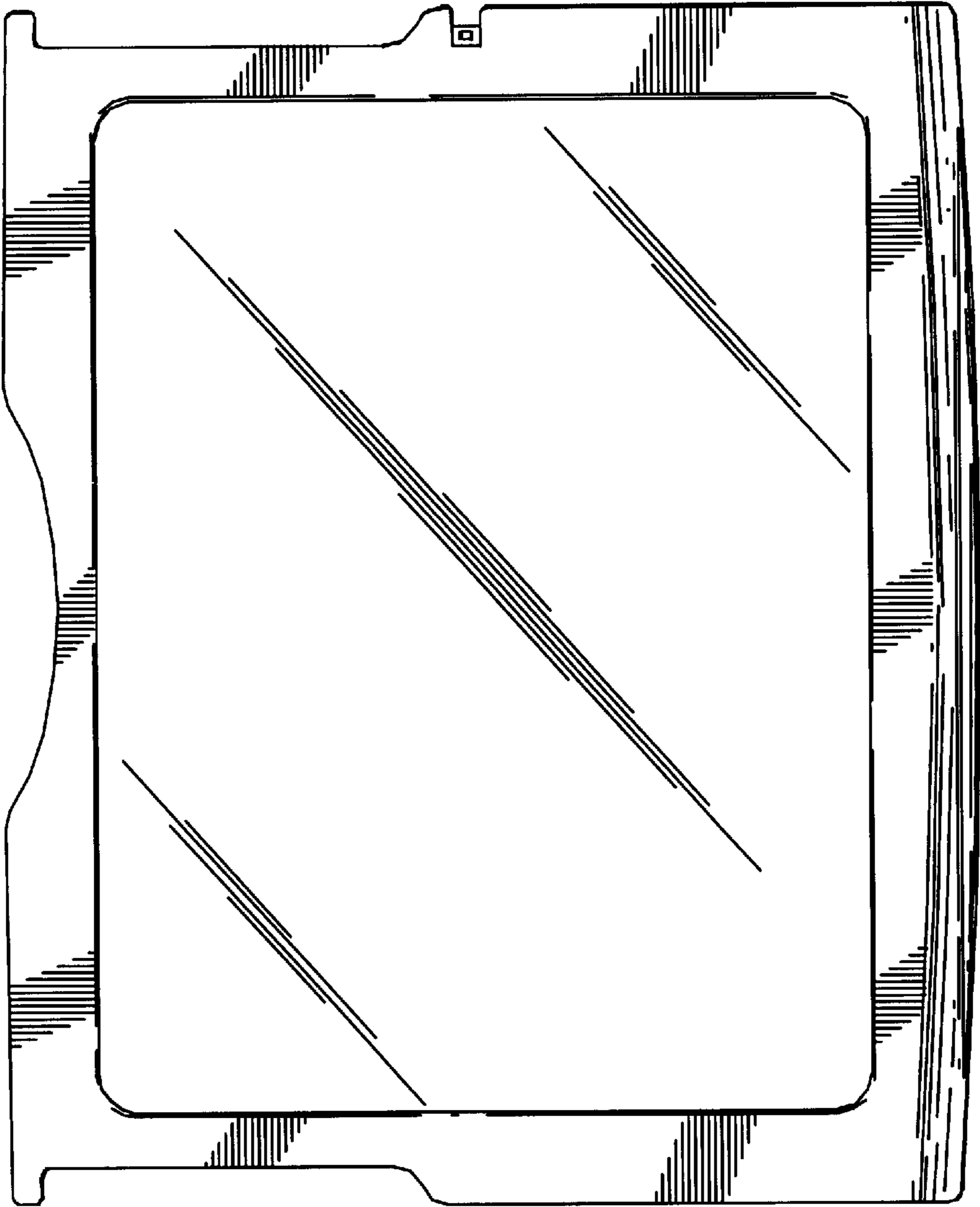


FIG. 5

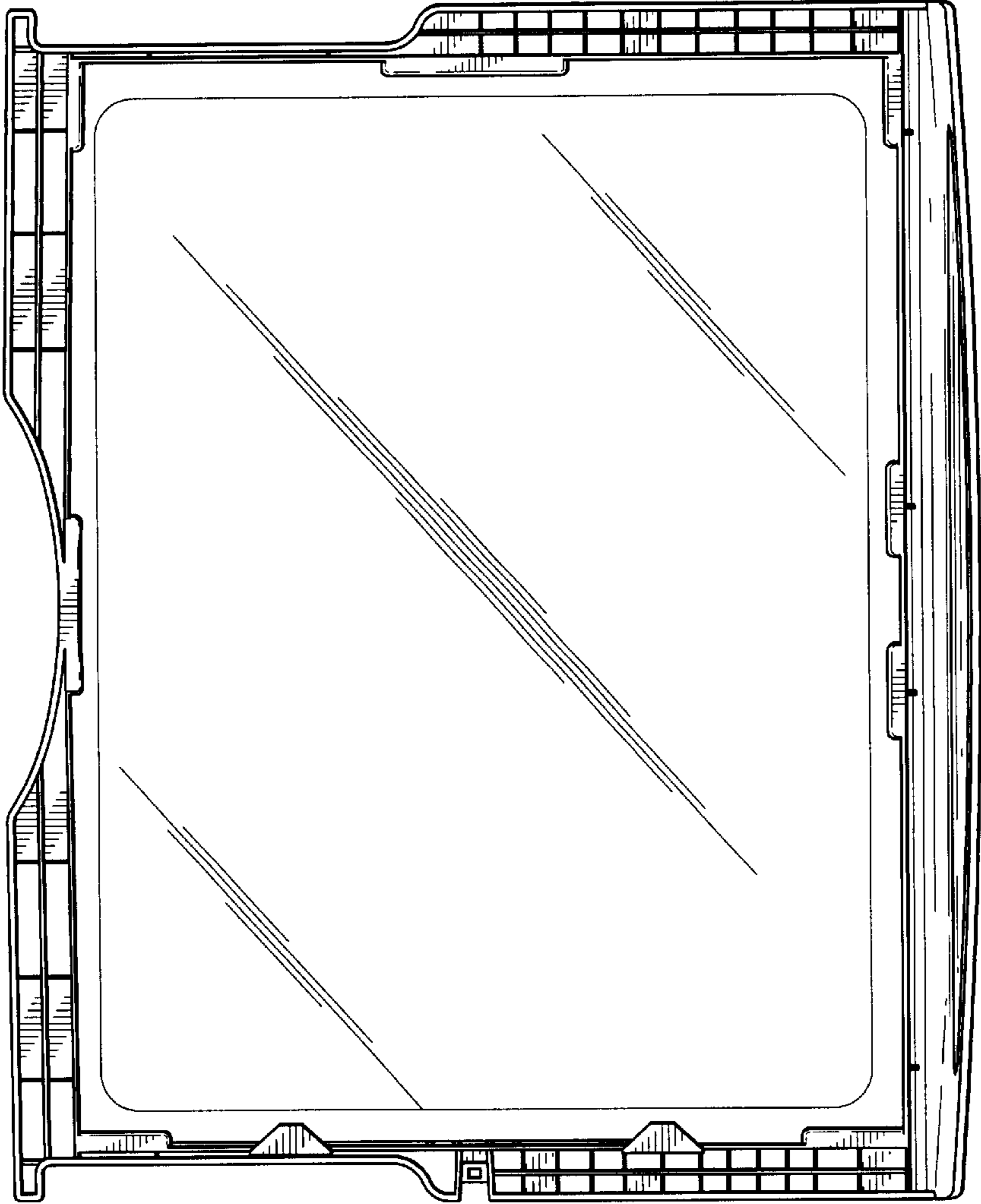


FIG. 6

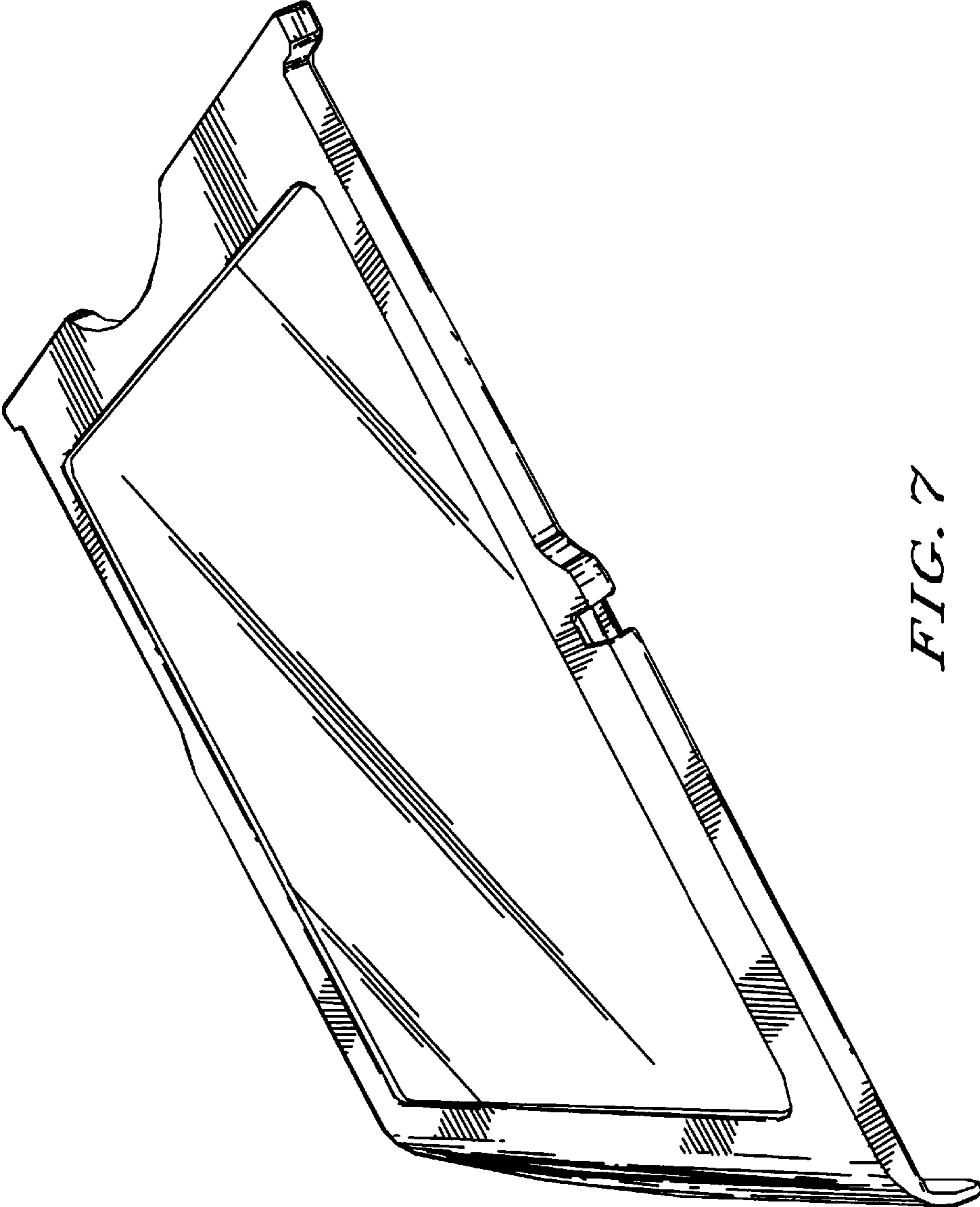


FIG. 7

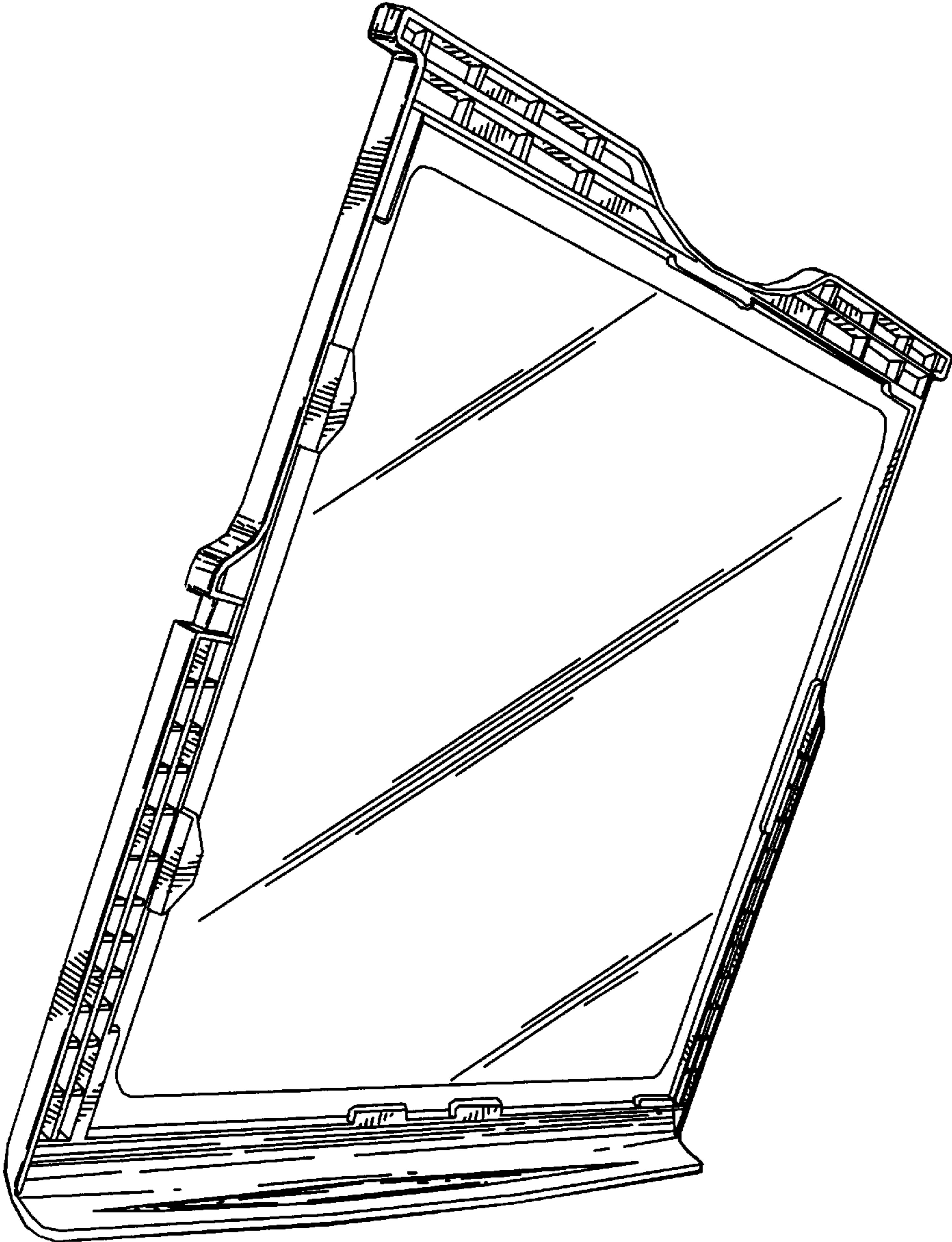


FIG. 8