



US00D512731S

(12) **United States Design Patent**
Grobleben

(10) **Patent No.:** **US D512,731 S**

(45) **Date of Patent:** **** Dec. 13, 2005**

(54) **SHELF FOR A REFRIGERATOR**

(75) **Inventor:** **Ralf Grobleben, Bretten (DE)**

(73) **Assignee:** **BSH Bosch und Siemens Hausgeraete GmbH, Munich (DE)**

(**) **Term:** **14 Years**

(21) **Appl. No.:** **29/207,104**

(22) **Filed:** **Jun. 7, 2004**

(30) **Foreign Application Priority Data**

Dec. 5, 2003 (EM) 117197

(51) **LOC (6) Cl.** **15-07**

(52) **U.S. Cl.** **D15/89**

(58) **Field of Search** D15/79, 81, 85-87,
D15/89; 62/440-449, 457, 246-255, 337,
3.6; 312/116, 247, 270.3, 319, 401, 408;
220/592.01, 592.02, 592.04, 4.31, 533;
362/92; 211/153

(56) **References Cited**

U.S. PATENT DOCUMENTS

D142,904 S * 11/1945 Paddock D15/89
2,786,729 A * 3/1957 Fields 312/270.3
5,287,252 A * 2/1994 Caruso 362/92
5,429,433 A * 7/1995 Bird et al. 312/408

5,441,338 A * 8/1995 Kane et al. 312/408
5,540,493 A * 7/1996 Kane et al. 312/408
5,913,584 A * 6/1999 Swindell et al. 312/408
6,811,045 B1 * 11/2004 Masker et al. 211/153
2003/0117051 A1 * 6/2003 Kweon 312/408

* cited by examiner

Primary Examiner—Nanda Bondade

Assistant Examiner—Shanda C. Hill

(74) *Attorney, Agent, or Firm*—John T. Winburn; Russell W. Warnock; Craig J. Loest

(57) **CLAIM**

The ornamental design for a shelf for a refrigerator, as shown and described.

DESCRIPTION

The novel shelf is particularly usable as the uppermost shelf in combination with the shelving and storage system of my copending application No. 29/207,105, which is herewith incorporated by reference.

FIG. 1 is a left-side, front, top perspective view of a shelf for a refrigerator, showing my new design;

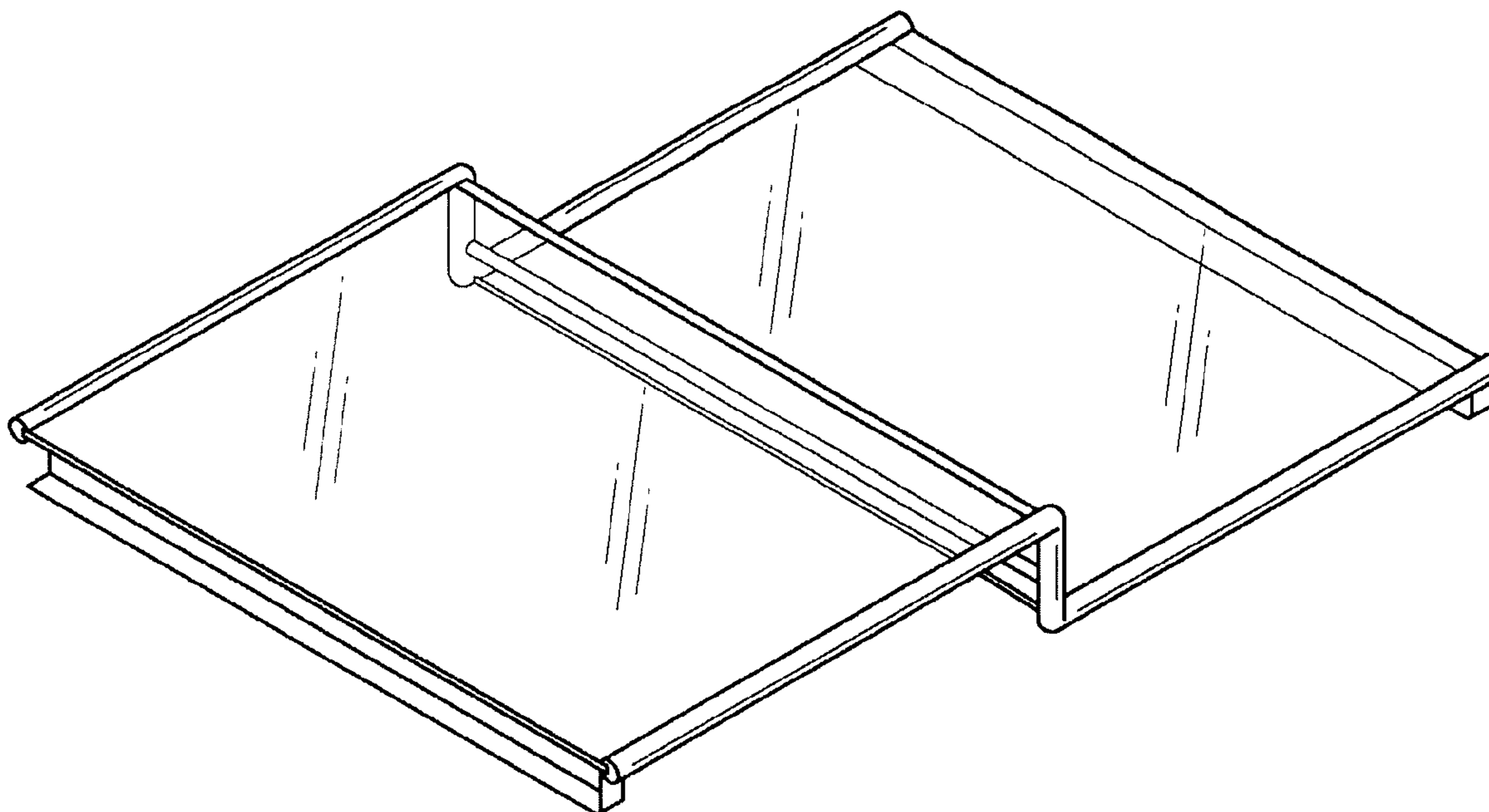
FIG. 2 is a right-side, front, top perspective view thereof;

FIG. 3 is a side elevational view thereof;

FIG. 4 is a top plan view thereof; and,

FIG. 5 is a front elevational view thereof.

1 Claim, 2 Drawing Sheets



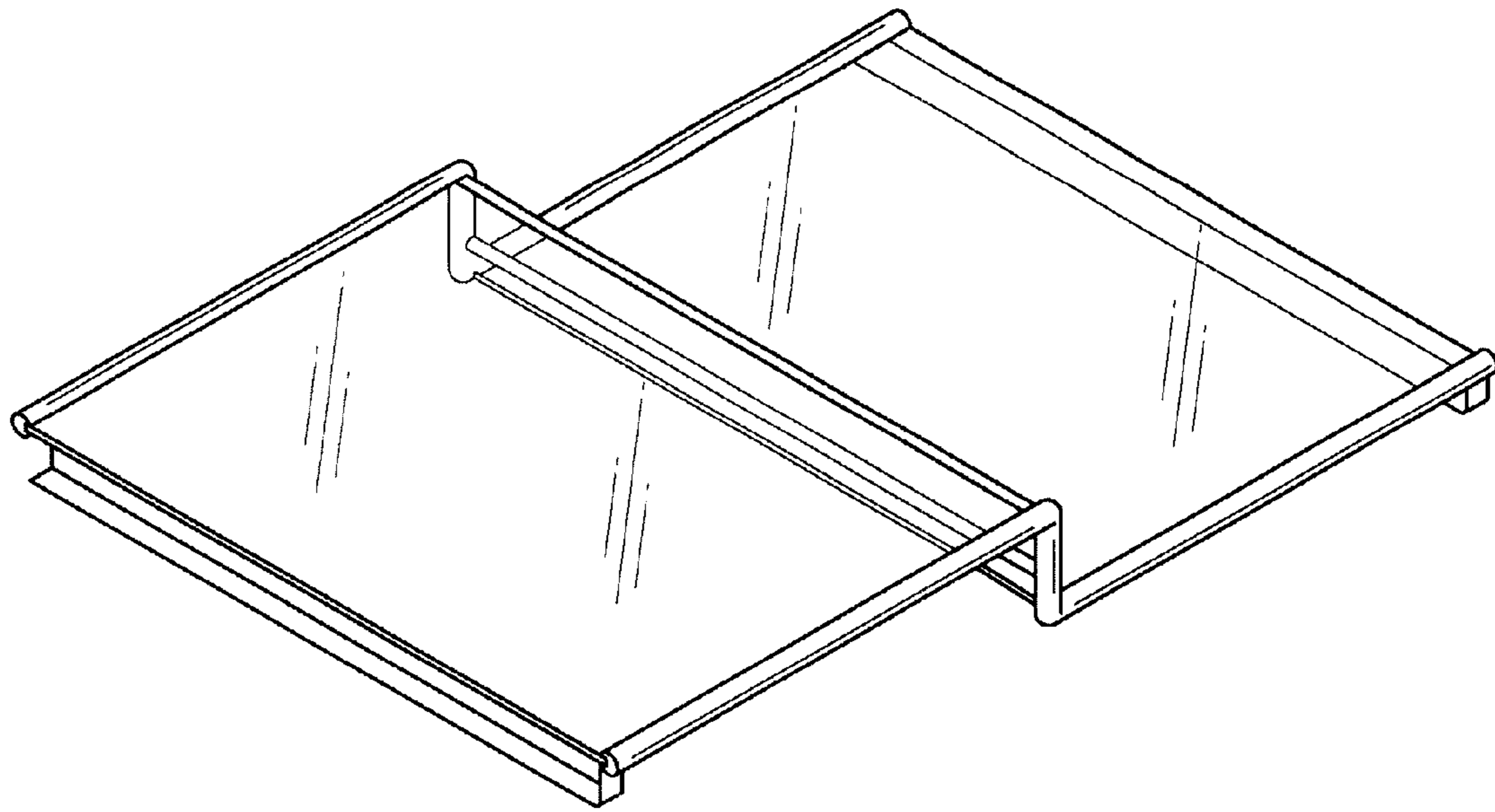


FIG. 1

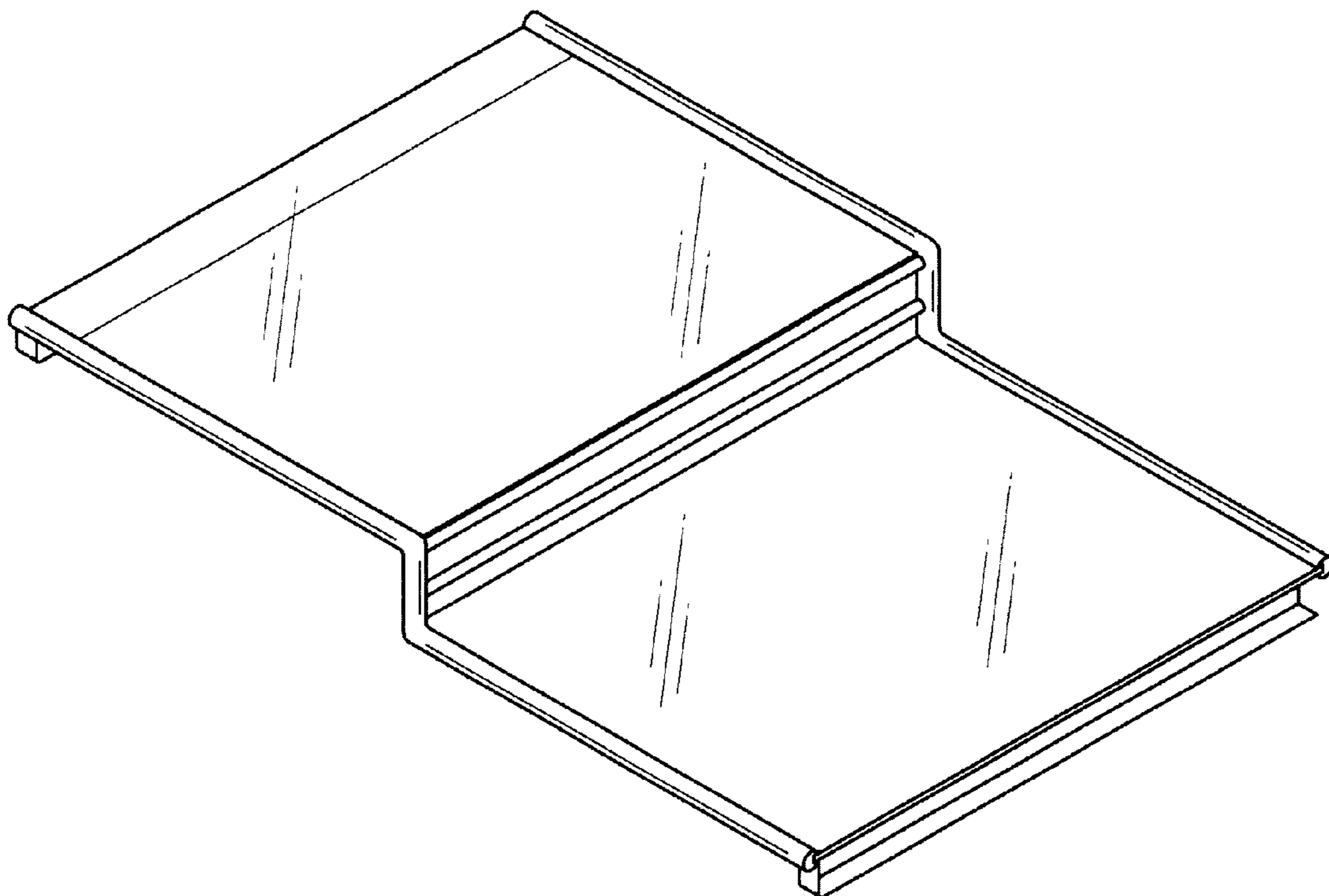


FIG. 2

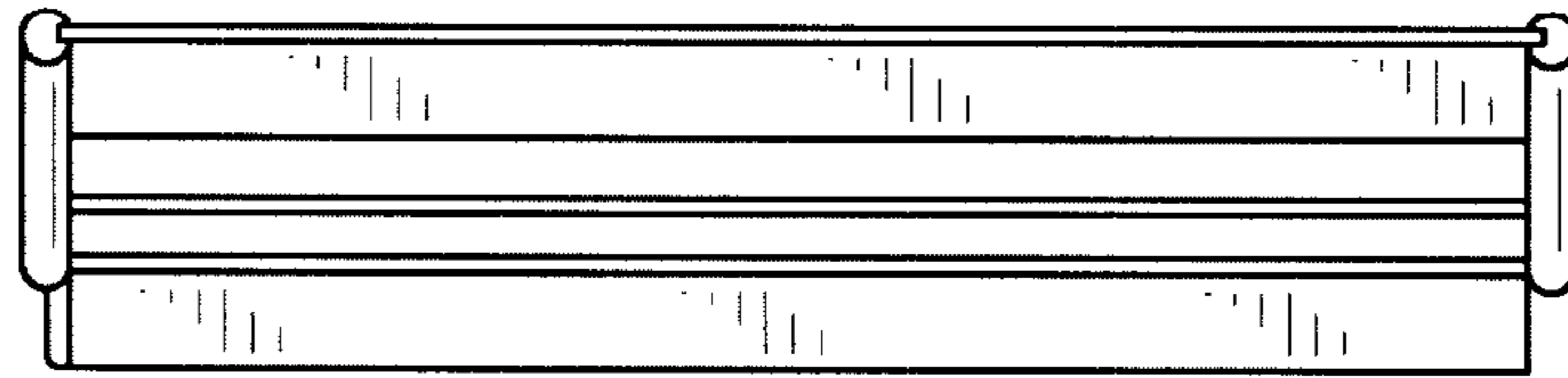


FIG. 3

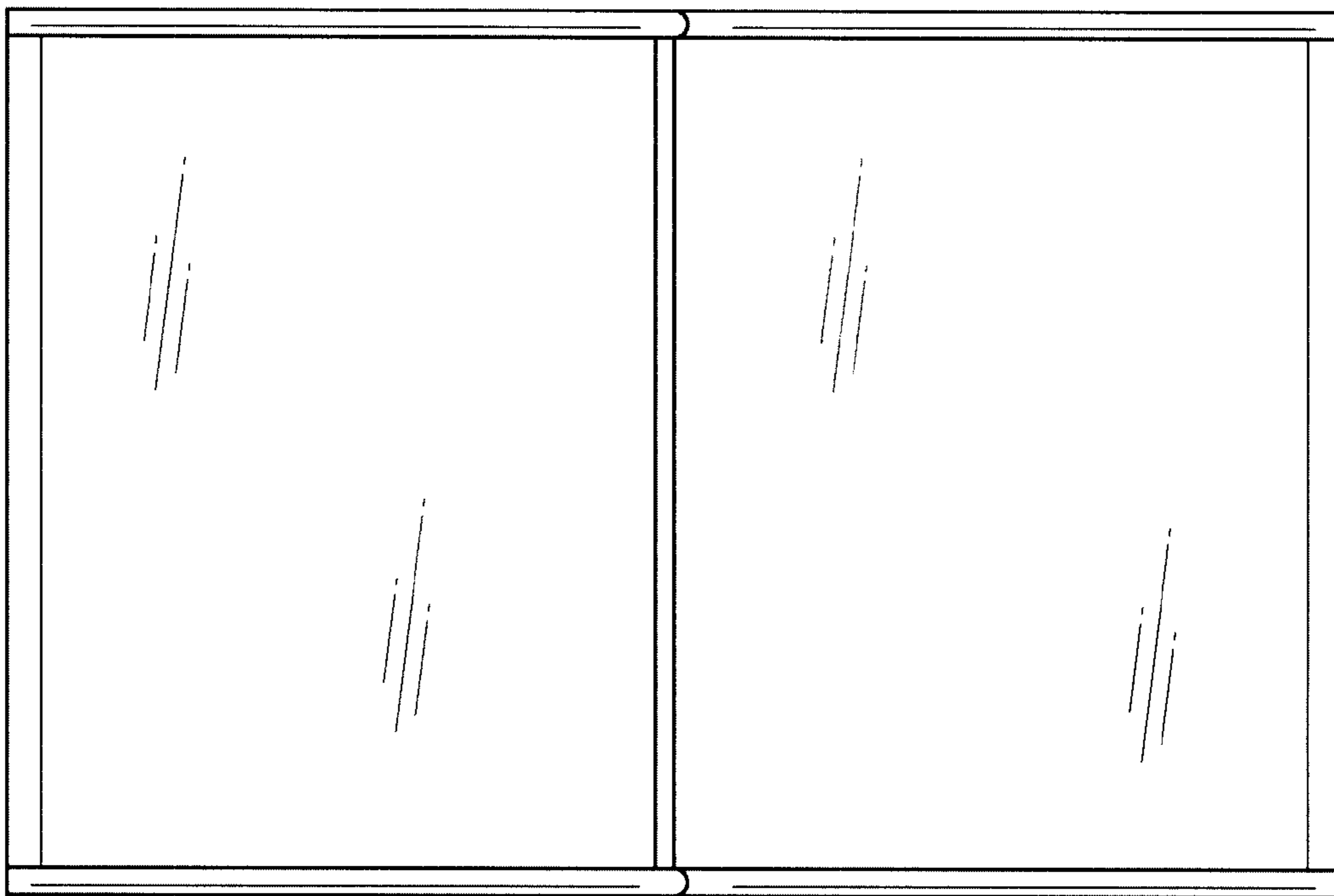


FIG. 4

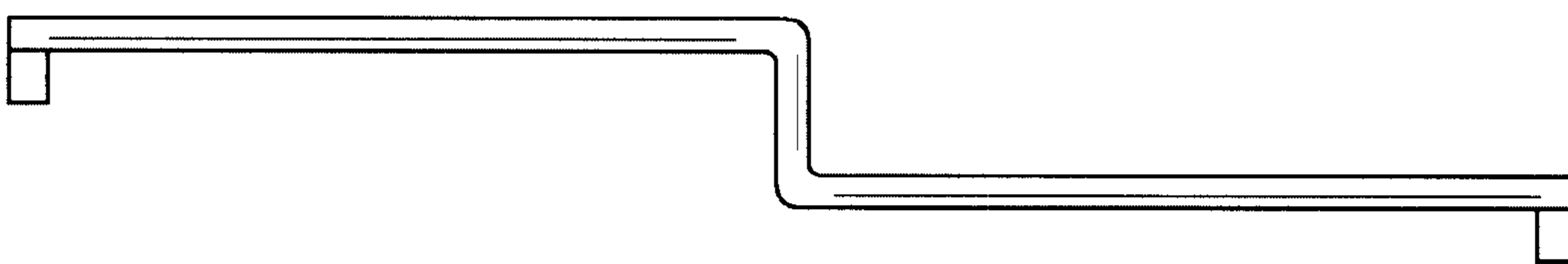


FIG. 5