



US00D512730S

(12) **United States Design Patent**
Orenstein et al.

(10) **Patent No.:** **US D512,730 S**

(45) **Date of Patent:** **** Dec. 13, 2005**

(54) **REFRIGERANT EVACUATION DEVICE**

D449,842 S * 10/2001 Borre et al. D15/79
D500,508 S * 1/2005 Chiu D15/79

(75) Inventors: **Gabriel Orenstein**, Miami, FL (US);
Charles Raymond Shambaugh, Jr.,
Coral Gables, FL (US)

* cited by examiner

Primary Examiner—Nanda Bondade

Assistant Examiner—Shanda C. Hill

(73) Assignee: **Advanced Test Products, Inc.**,
Miramar, FL (US)

(74) *Attorney, Agent, or Firm*—Baker & Hostetler LLP

(**) Term: **14 Years**

(57) **CLAIM**

The ornamental design for a refrigerant evacuation device,
as shown and described.

(21) Appl. No.: **29/217,528**

(22) Filed: **Nov. 19, 2004**

DESCRIPTION

(51) **LOC (6) Cl.** **15-07**

(52) **U.S. Cl.** **D15/79**

(58) **Field of Search** D15/79, 80, 82,
D15/89, 90; 62/246–255, 337, 457, 440–449,
3.6; 312/116, 401; 220/592.01, 592.02;
D23/332, 335

FIG. 1 is a perspective view of a refrigerant evacuation device showing our new design;

FIG. 2 is a front view thereof;

FIG. 3 is a rear view thereof;

FIG. 4 is a right side view thereof;

FIG. 5 is a left side view thereof;

FIG. 6 is a top view thereof; and,

FIG. 7 is a bottom view thereof.

The broken lines shown in the drawing disclosure is for illustrative purposes only and forms no part of the claimed design.

(56) **References Cited**

U.S. PATENT DOCUMENTS

D344,527 S * 2/1994 Drago et al. D15/79

D445,116 S * 7/2001 Evans et al. D15/79

D445,117 S * 7/2001 Heber et al. D15/79

1 Claim, 7 Drawing Sheets

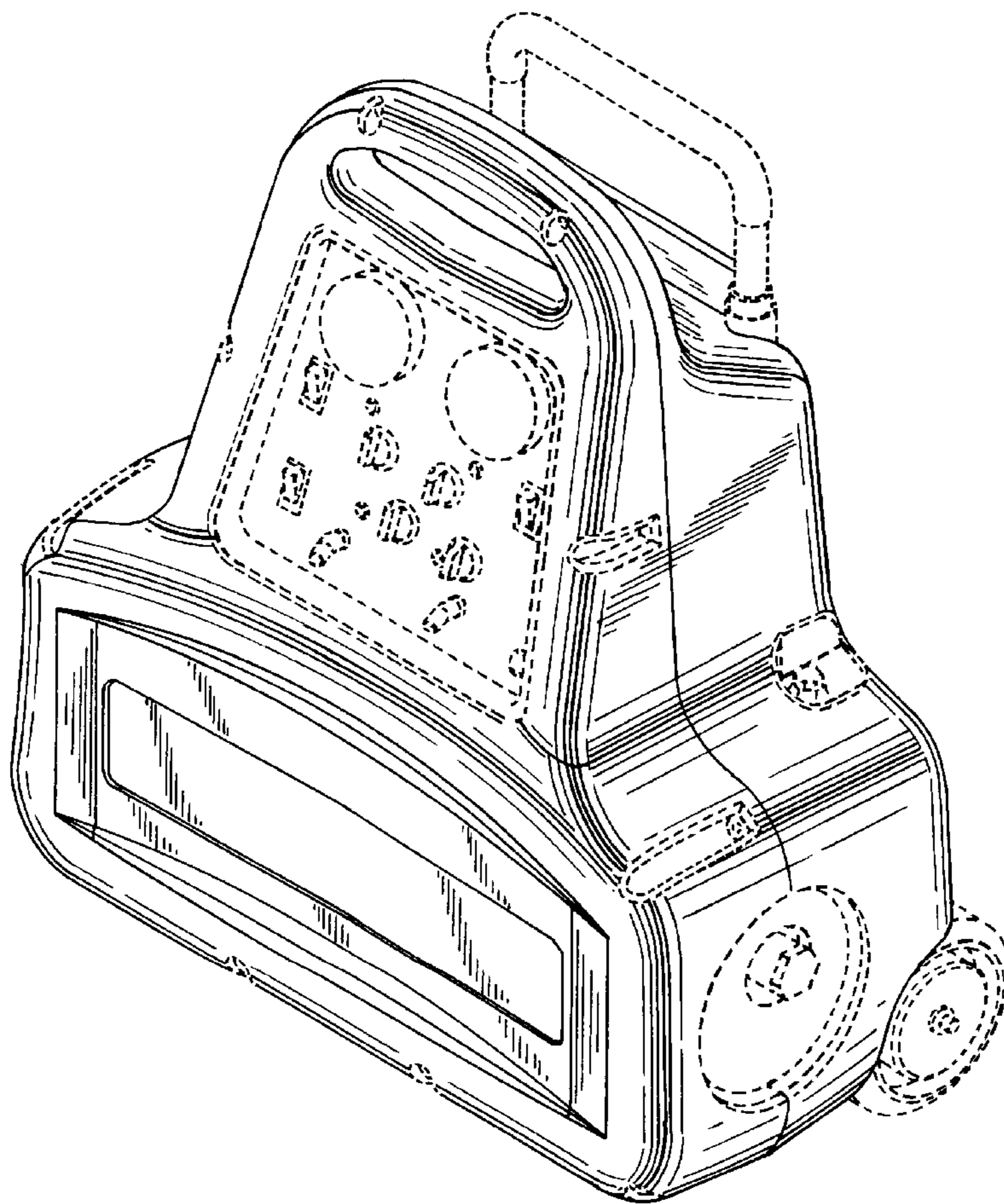


FIG. 1

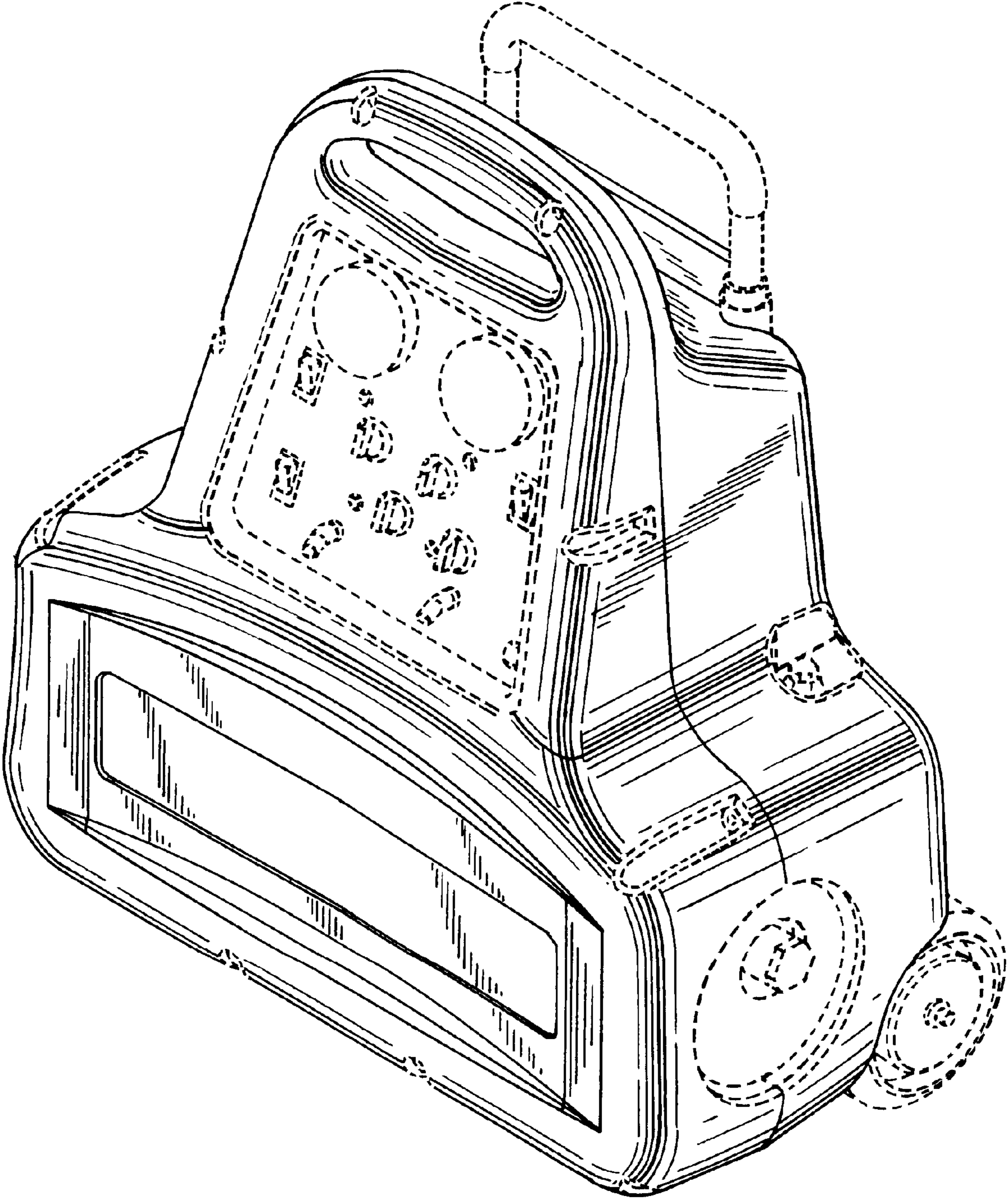


FIG. 2

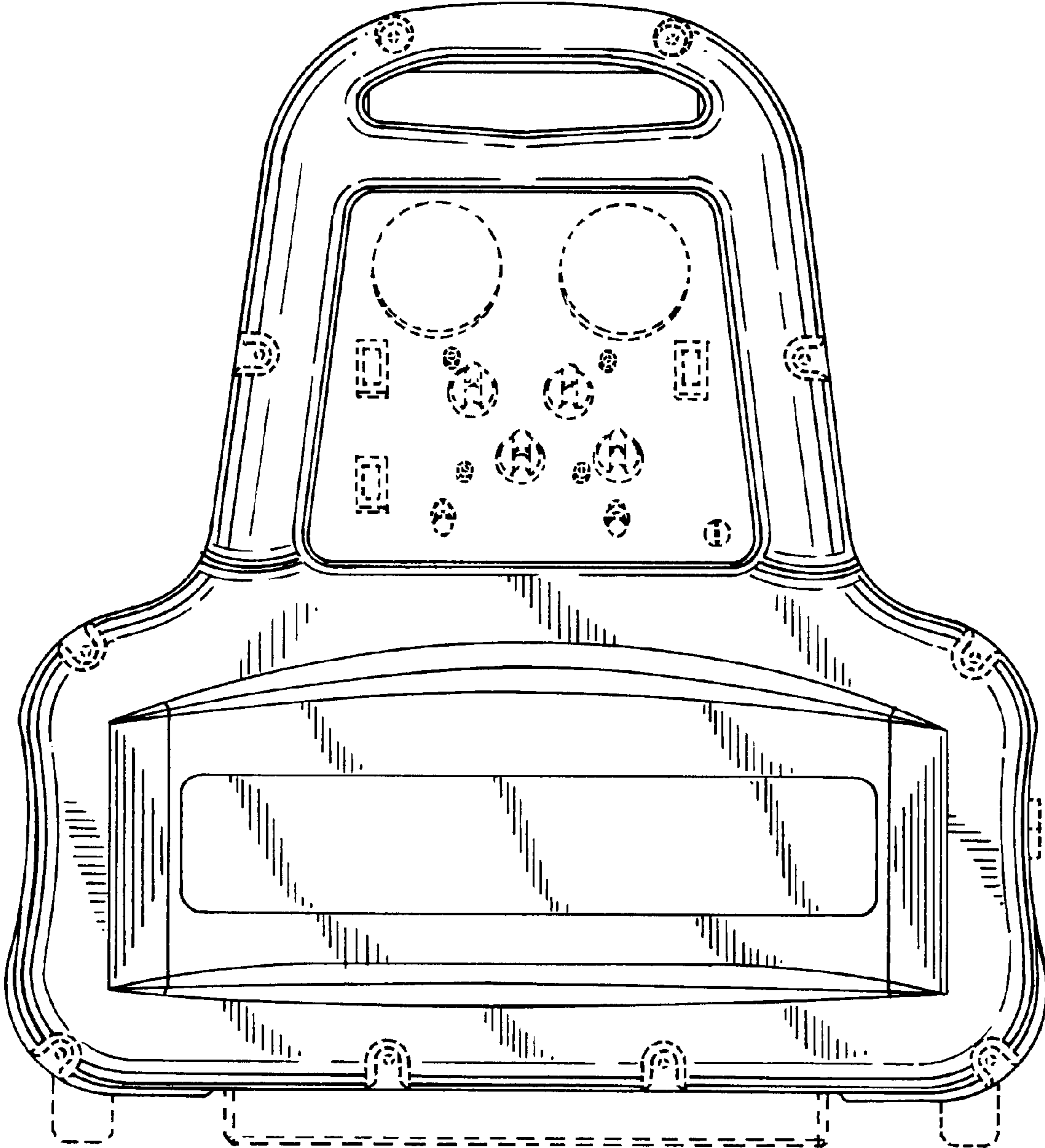


FIG. 3

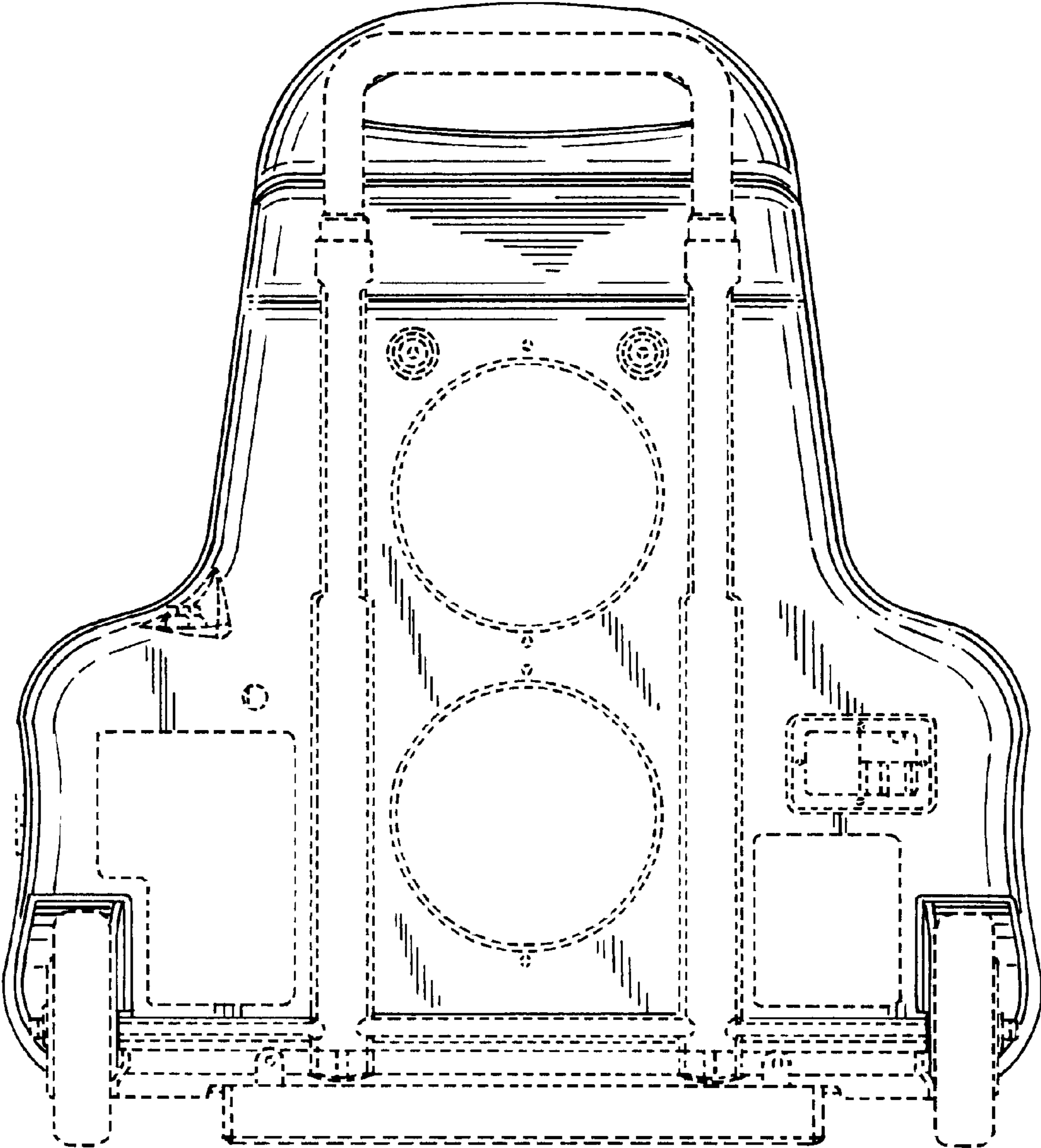


FIG. 4

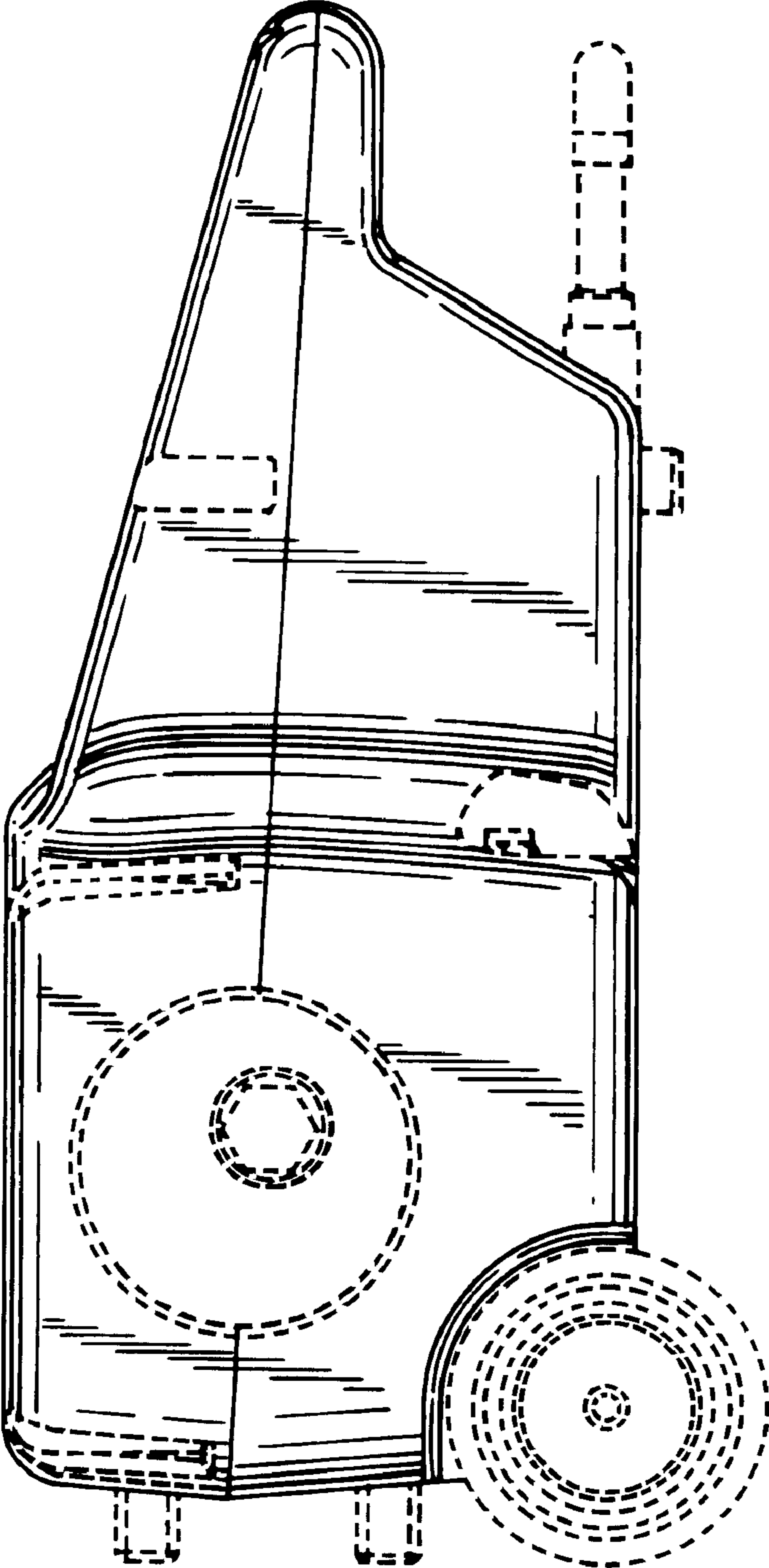


FIG. 5

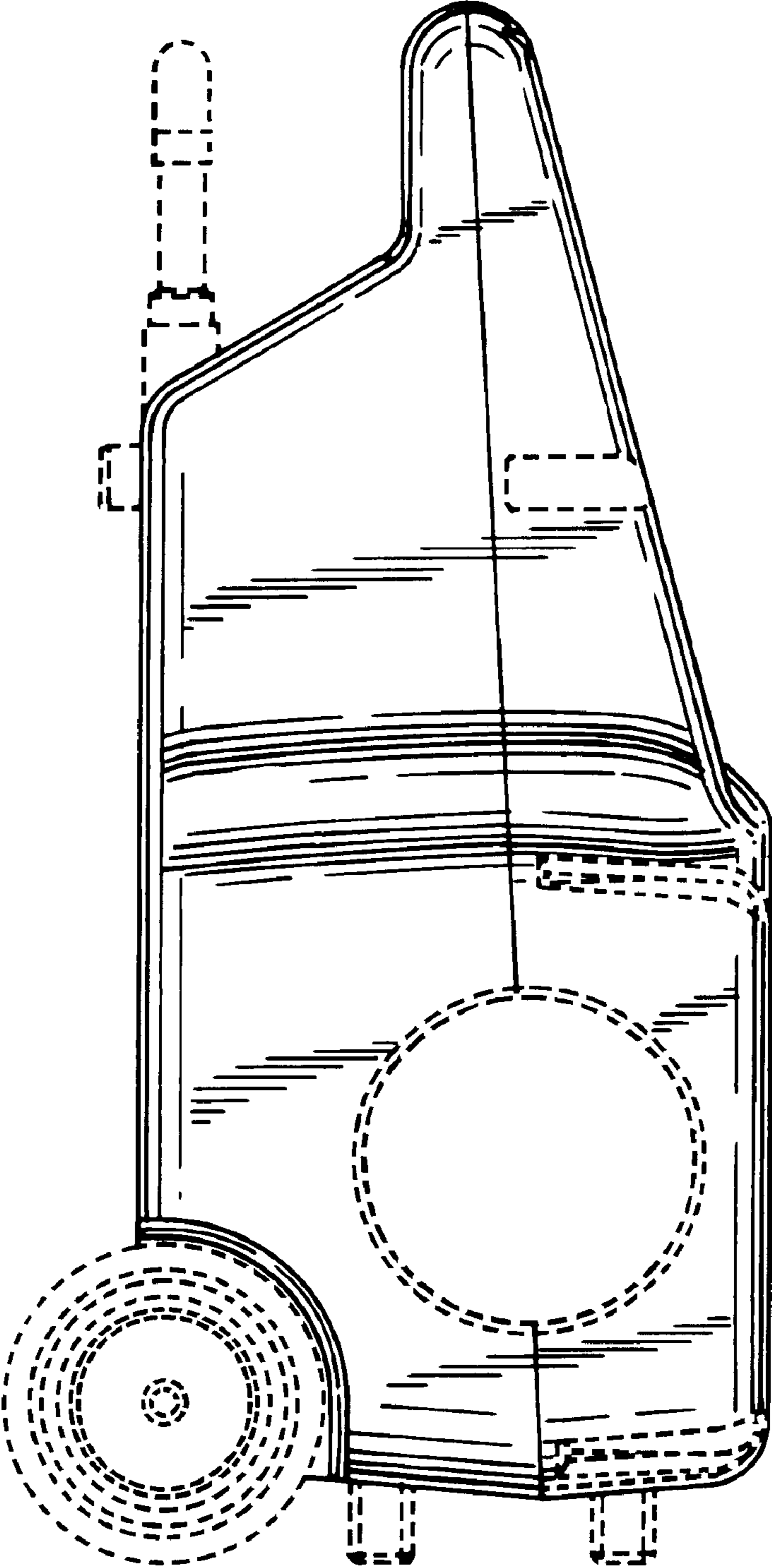


FIG. 6

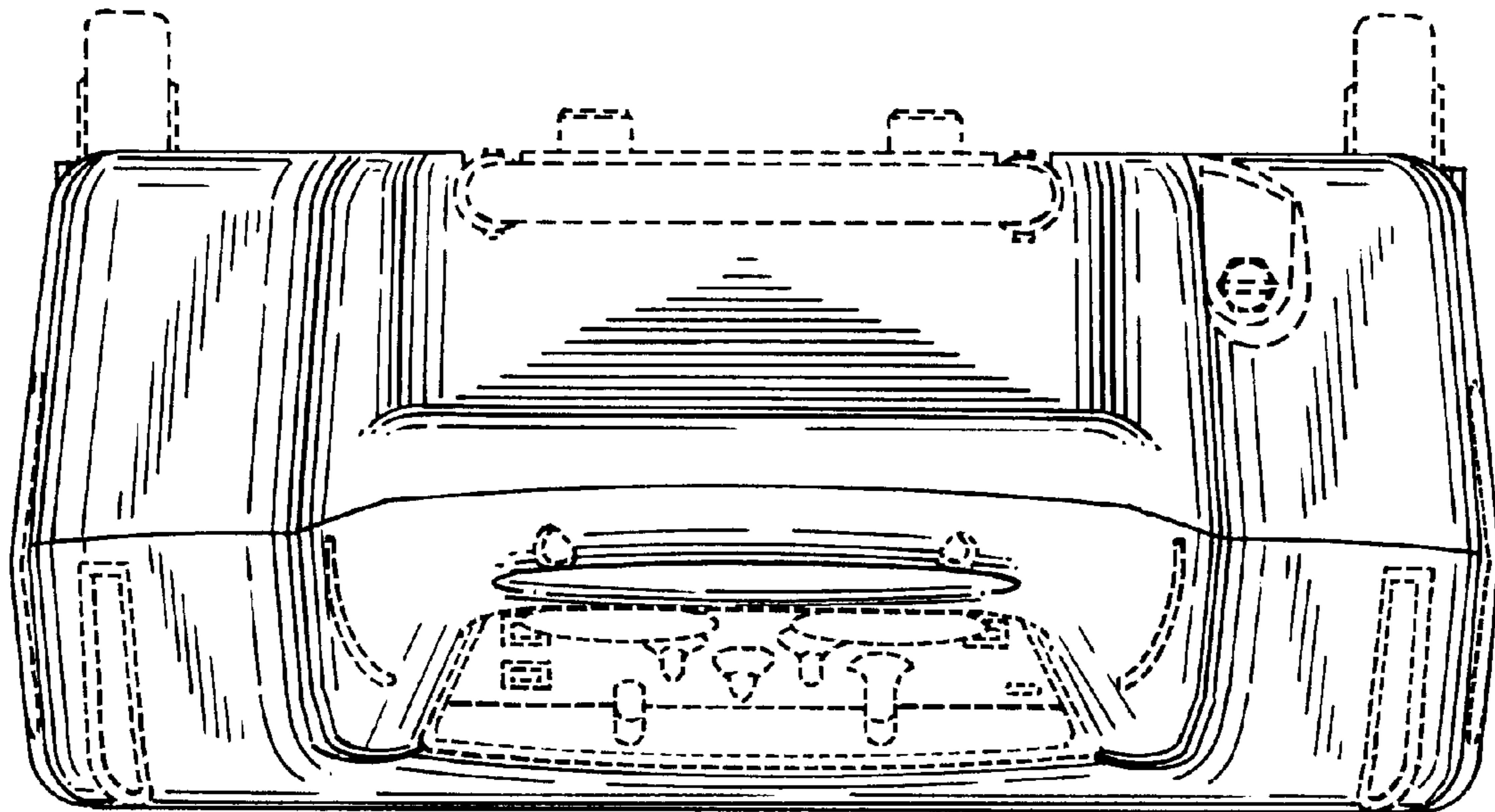


FIG. 7

