



US00D512728S

(12) **United States Design Patent**
Di Rienzo

(10) **Patent No.: US D512,728 S**

(45) **Date of Patent: ** Dec. 13, 2005**

(54) **STORAGE ENCLOSURE FOR A
LAWNMOWER**

(76) **Inventor: Frank Di Rienzo**, 20865 S. Titus Cir.,
Queen Creek, AZ (US) 85242

(**) **Term: 14 Years**

(21) **Appl. No.: 29/214,519**

(22) **Filed: Oct. 4, 2004**

(51) **LOC (6) Cl. 15-03**

(52) **U.S. Cl. D15/17**

(58) **Field of Search** D15/10, 14-17,
D15/28, 31, 33; 150/154, 157, 166; 56/12.8,
13.4, 13.7, 16.7, 17.4, 17.5, 202, 255, 320.1,
320.2; 312/100; 52/79.1, 125.2

(56) **References Cited**

U.S. PATENT DOCUMENTS

3,087,585	A	*	4/1963	Ronnsater et al.	52/125.2
4,178,977	A	*	12/1979	Sur et al.	56/320.1
D260,149	S	*	8/1981	Harris	D15/17
4,673,227	A	*	6/1987	Anderson	312/100
4,876,832	A	*	10/1989	Wasserman	52/79.1

4,932,194	A	*	6/1990	Allen	56/320.2
5,274,988	A	*	1/1994	Bruce	56/17.4
D395,659	S	*	6/1998	Moiseve	D15/17
6,263,648	B1	*	7/2001	Carlson	56/1
D466,528	S	*	12/2002	Grundy	D15/17

* cited by examiner

Primary Examiner—Stella Reid

Assistant Examiner—Mark A. Goodwin

(74) *Attorney, Agent, or Firm*—Gregory J. Nelson

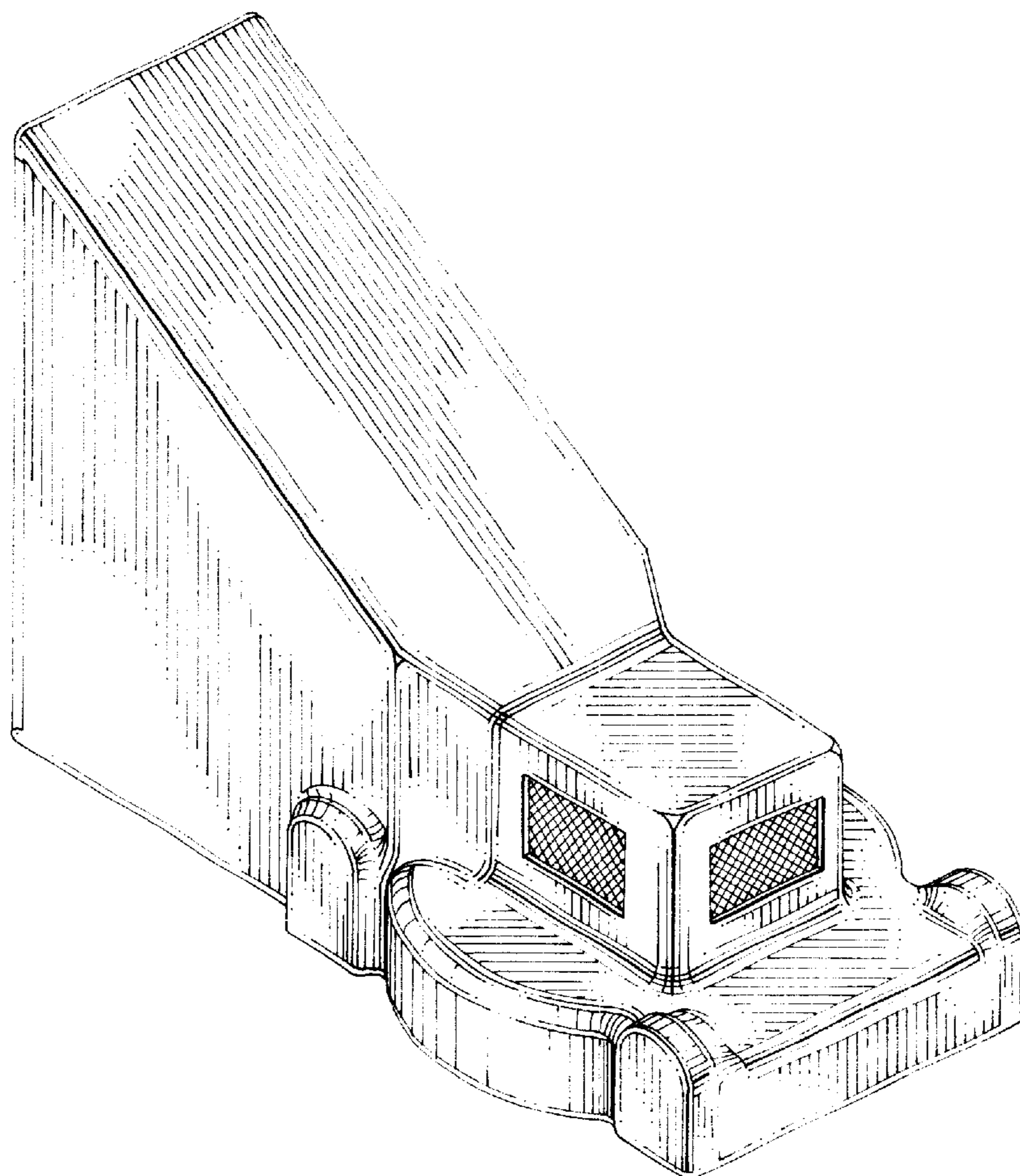
(57) **CLAIM**

The ornamental design for a storage enclosure for a lawnmower, as shown and described.

DESCRIPTION

FIG. 1 is a perspective view of a storage enclosure for a lawnmower showing our new design; FIG. 2 is a front elevational view thereof; FIG. 3 is a rear elevational view thereof; FIG. 4 is a top plan view thereof; FIG. 5 is a bottom plan view thereof; and, FIG. 6 is a right side elevational view thereof, the left side being a mirror image.

1 Claim, 2 Drawing Sheets



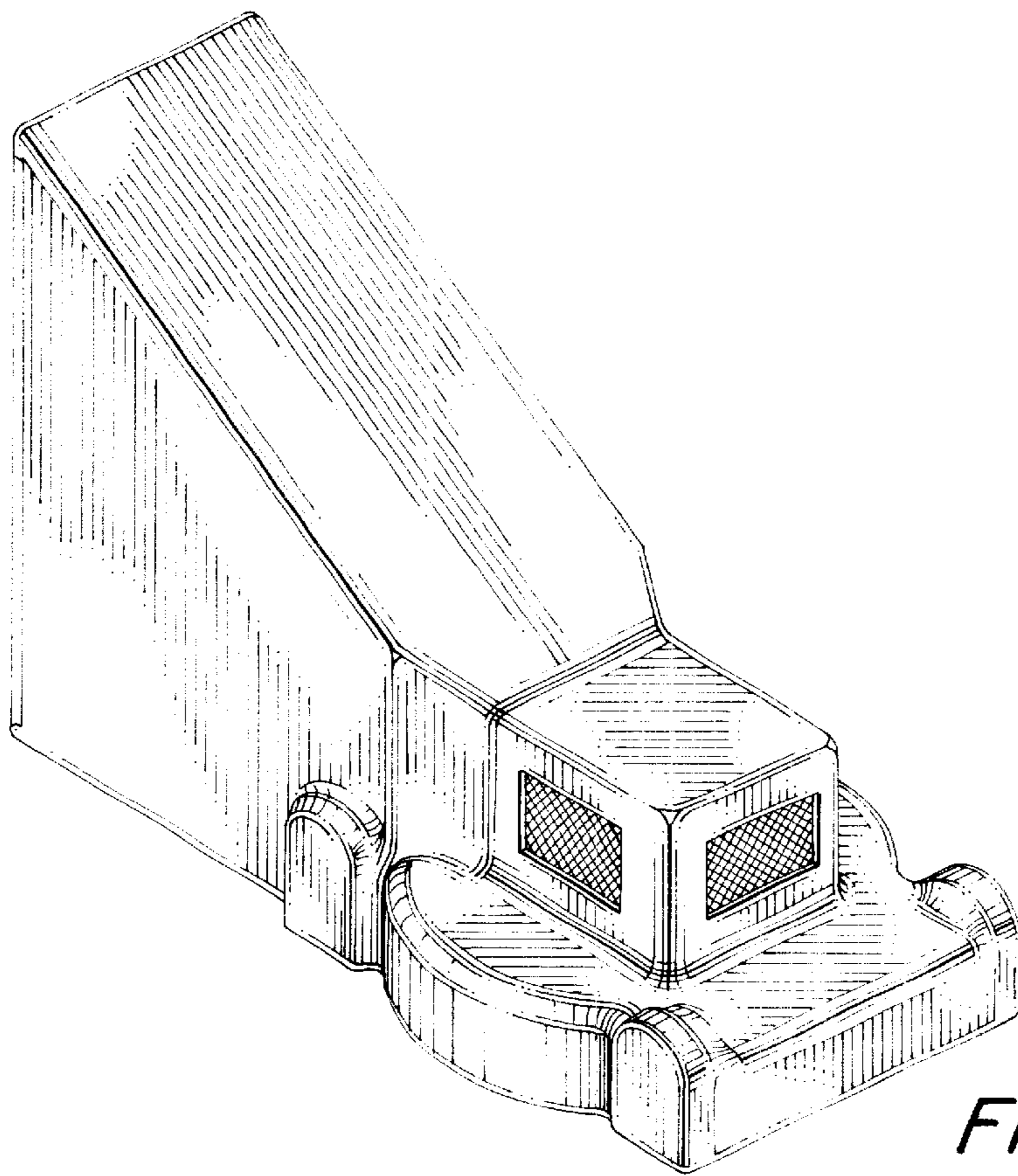


Fig. 1

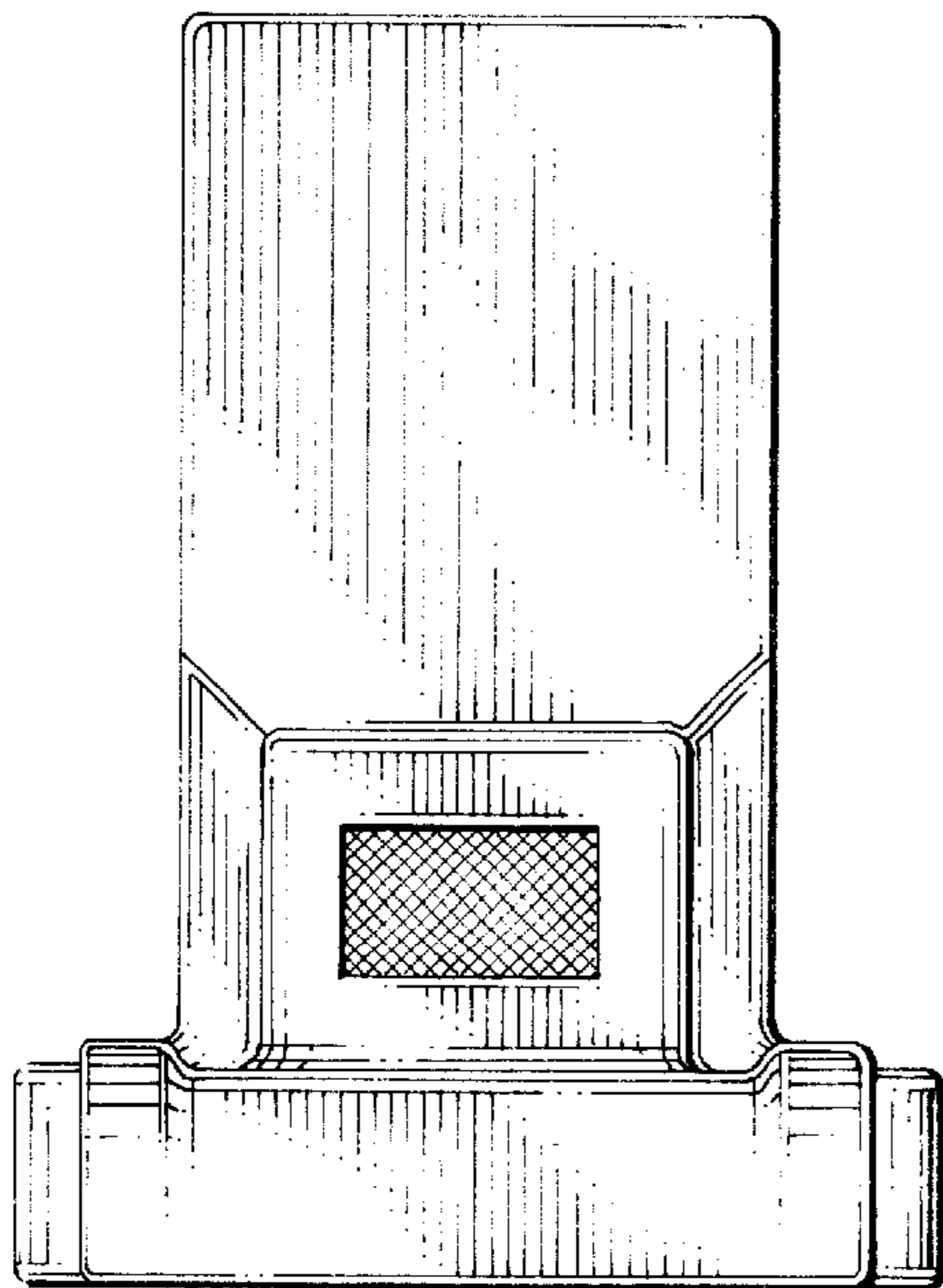


Fig. 2

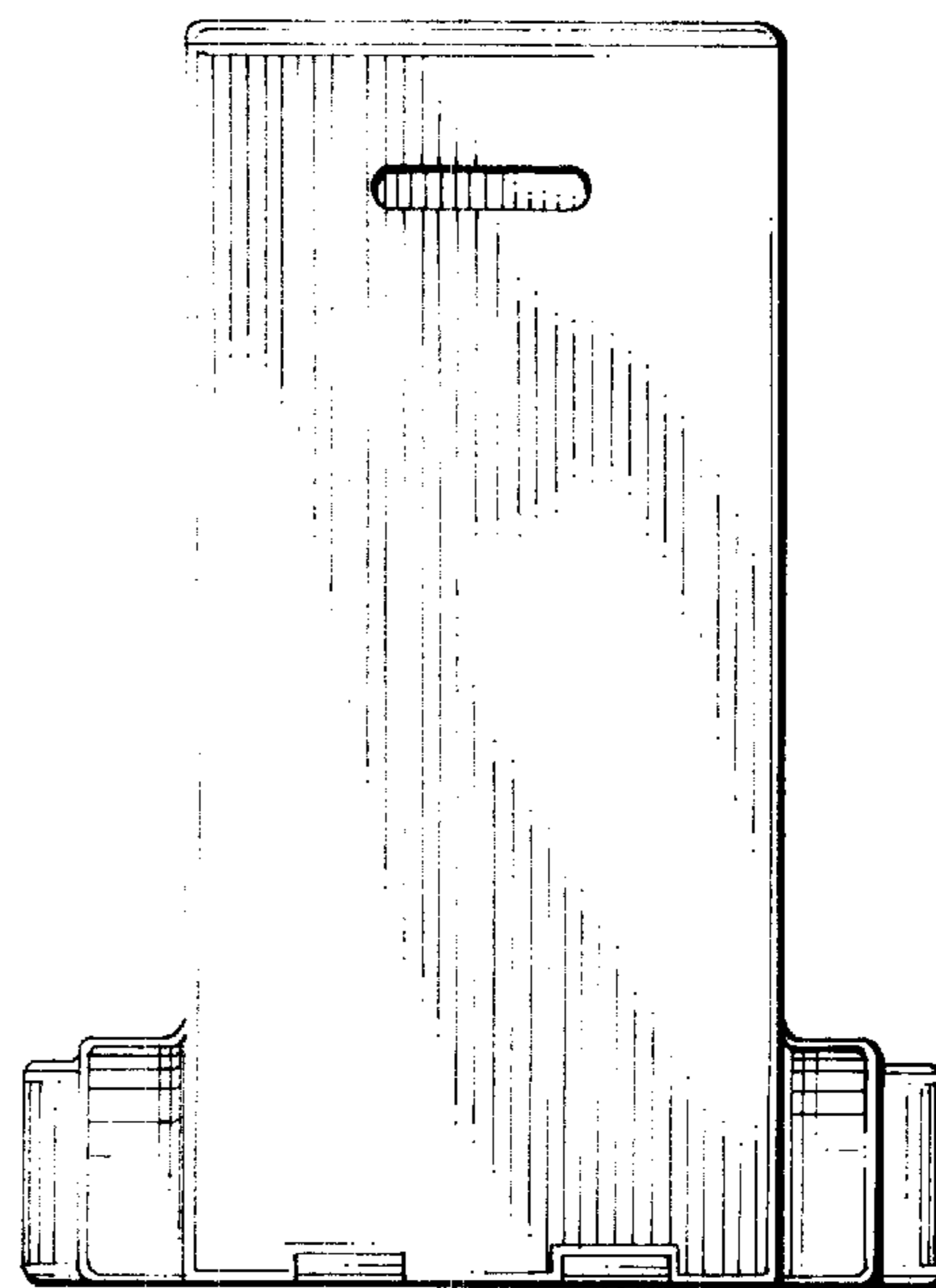


Fig. 3

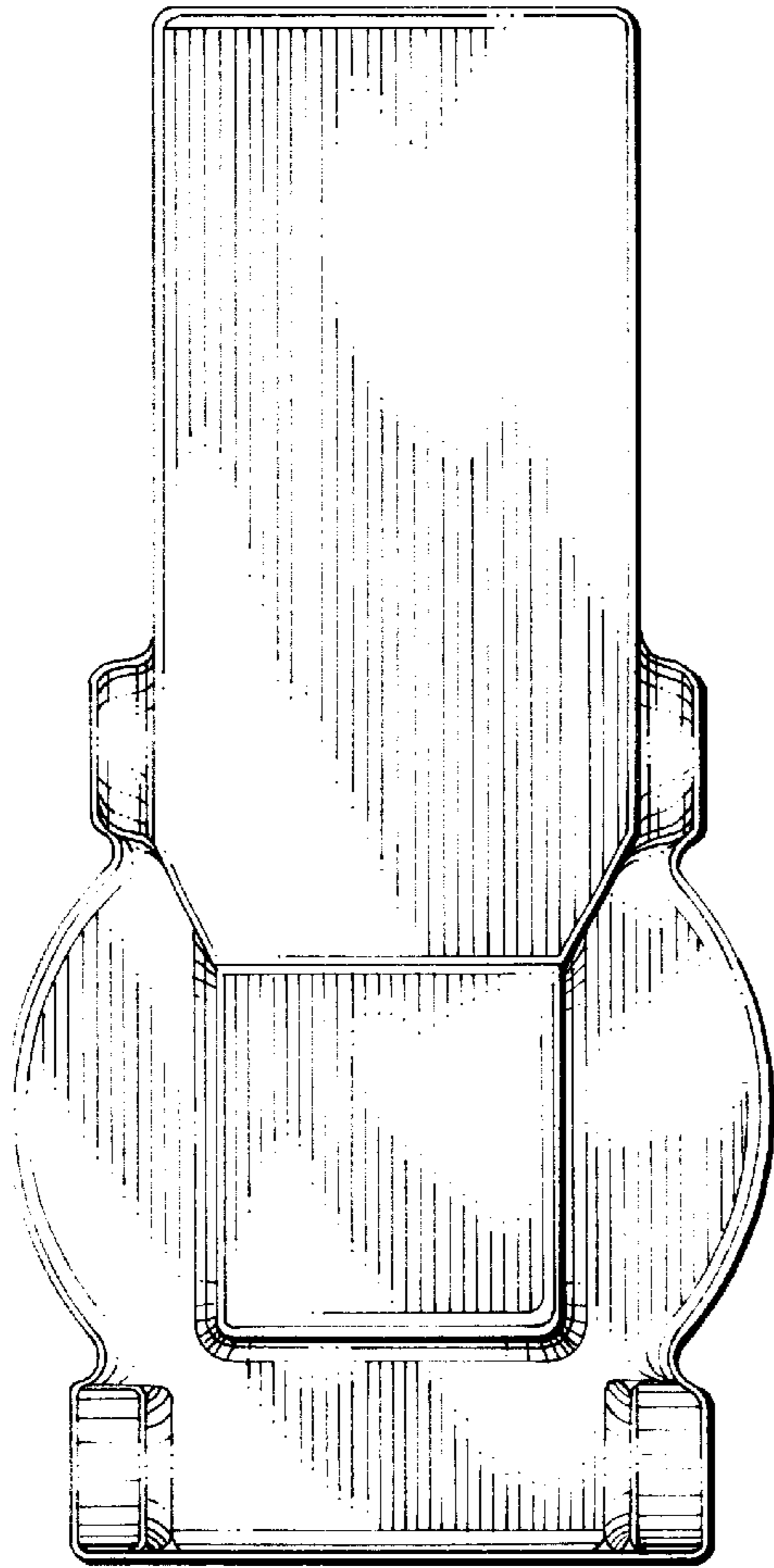


Fig. 4

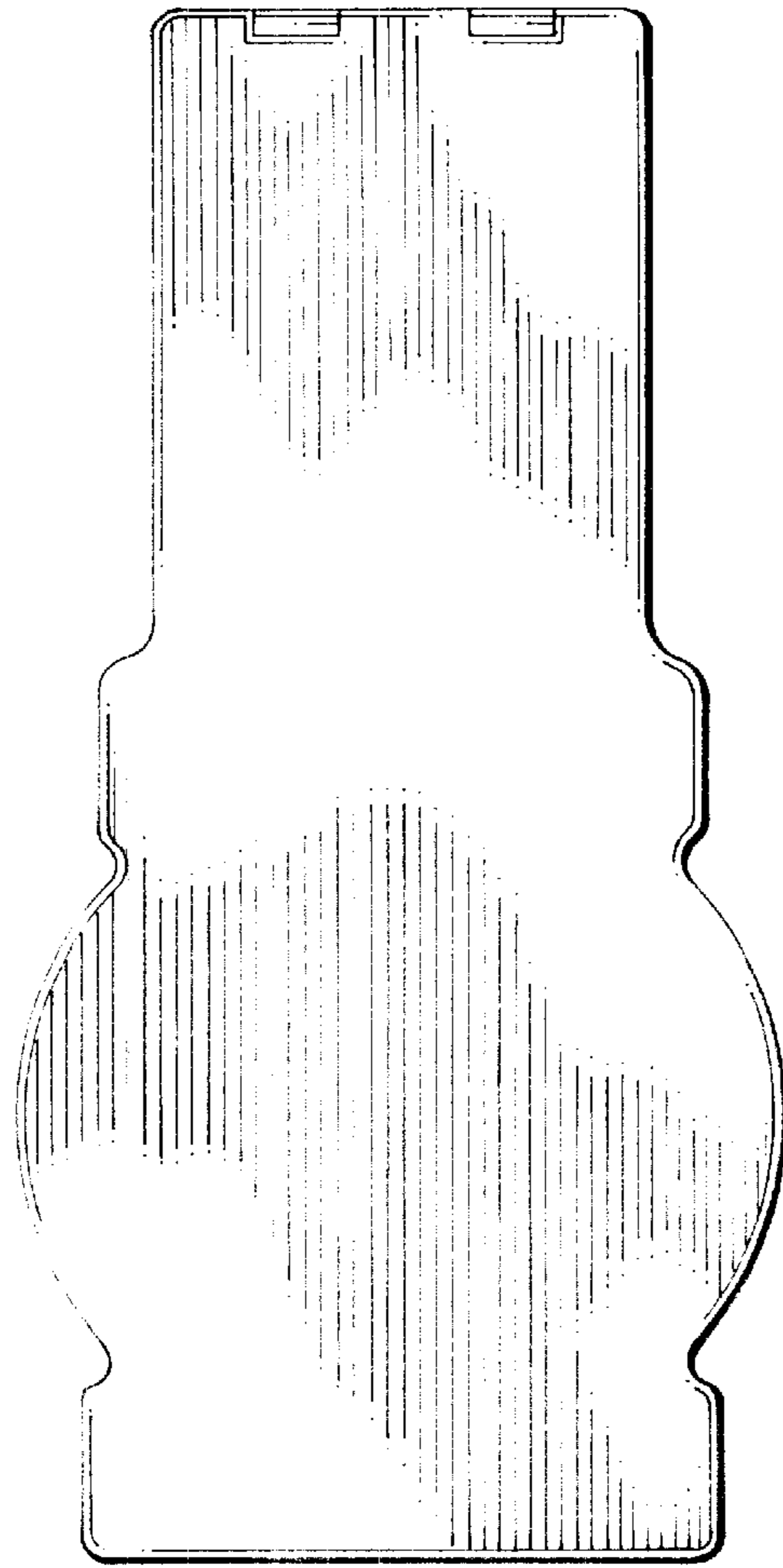


Fig. 5

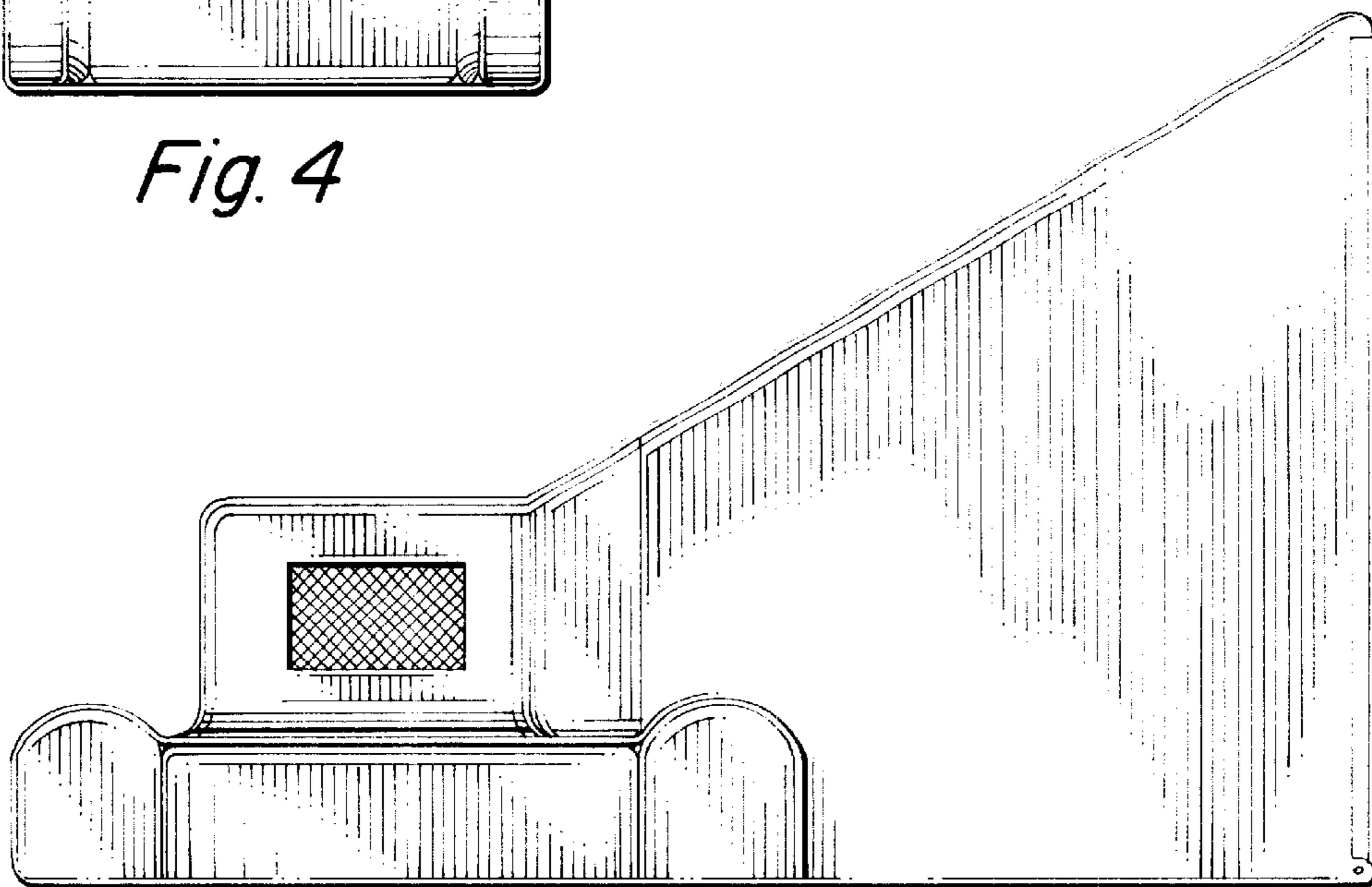


Fig. 6