



US00D512727S

(12) **United States Design Patent**  
**Hussaini et al.**

(10) **Patent No.:** **US D512,727 S**  
(45) **Date of Patent:** **\*\* Dec. 13, 2005**

(54) **COMBINED AIR COMPRESSOR AND LIGHT**

D499,744 S \* 12/2004 Orschell et al. .... D15/7

(75) Inventors: **Saied Hussaini**, Miami, FL (US); **Marc Iacovelli**, Miami, FL (US)

\* cited by examiner

*Primary Examiner*—R. Seifert

(73) Assignee: **Rally Manufacturing, Inc.**, Miami, FL (US)

(74) *Attorney, Agent, or Firm*—Liniak, Berenato & White

(\*\*) Term: **14 Years**

(57) **CLAIM**

The ornamental design for a combined air compressor and light, as shown and described.

(21) Appl. No.: **29/209,772**

**DESCRIPTION**

(22) Filed: **Jul. 21, 2004**

(51) **LOC (6) Cl.** ..... **15-02**

(52) **U.S. Cl.** ..... **D15/9**

(58) **Field of Search** ..... D15/7-9; D23/231,  
D23/232; 417/410.4, 359, 415, 410.3, 234,  
229, 321, 265, 405

FIG. 1 is a front, top and left perspective view of a combined air compressor and light according to the present invention. FIG. 2 is a front view of a combined air compressor and light of FIG. 1.

FIG. 3 is a rear view of a combined air compressor and light of FIG. 1.

FIG. 4 is a left side view of a combined air compressor and light of FIG. 1.

FIG. 5 is a right view of a combined air compressor and light of FIG. 1.

FIG. 6 is a top view of a combined air compressor and light of FIG. 1; and,

FIG. 7 is a bottom view of a combined air compressor and light of FIG. 1.

(56) **References Cited**

**U.S. PATENT DOCUMENTS**

D294,396 S	*	2/1988	Steere et al.	.....	D26/38
D296,104 S	*	6/1988	Hung	.....	D15/9
D340,726 S	*	10/1993	Wang	.....	D15/7
D375,505 S	*	11/1996	Wong	.....	D15/9
D407,412 S	*	3/1999	Wang	.....	D15/9
D407,413 S	*	3/1999	Wang	.....	D15/9
D434,423 S	*	11/2000	Wang	.....	D15/9

**1 Claim, 7 Drawing Sheets**

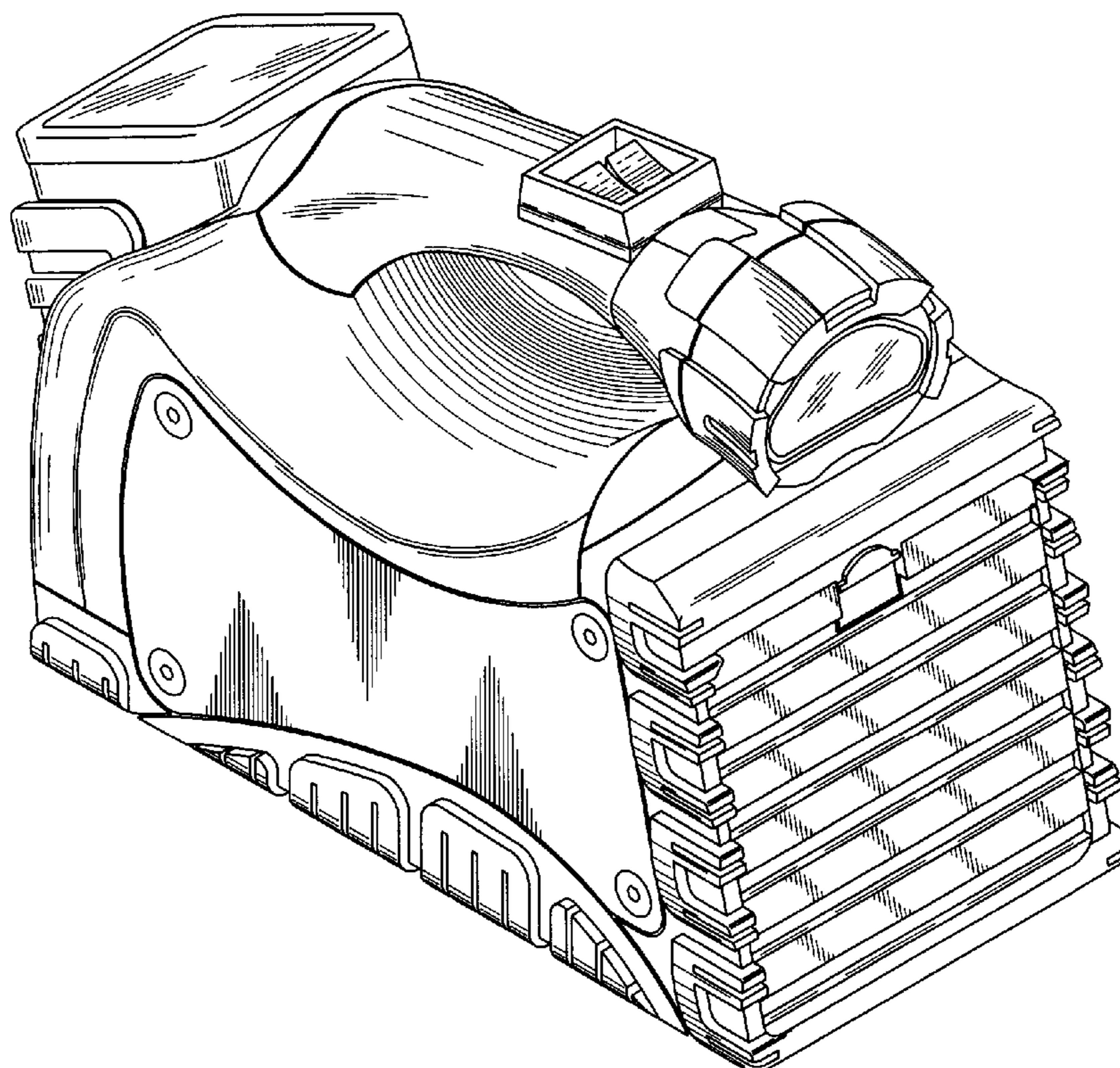


Fig. 1

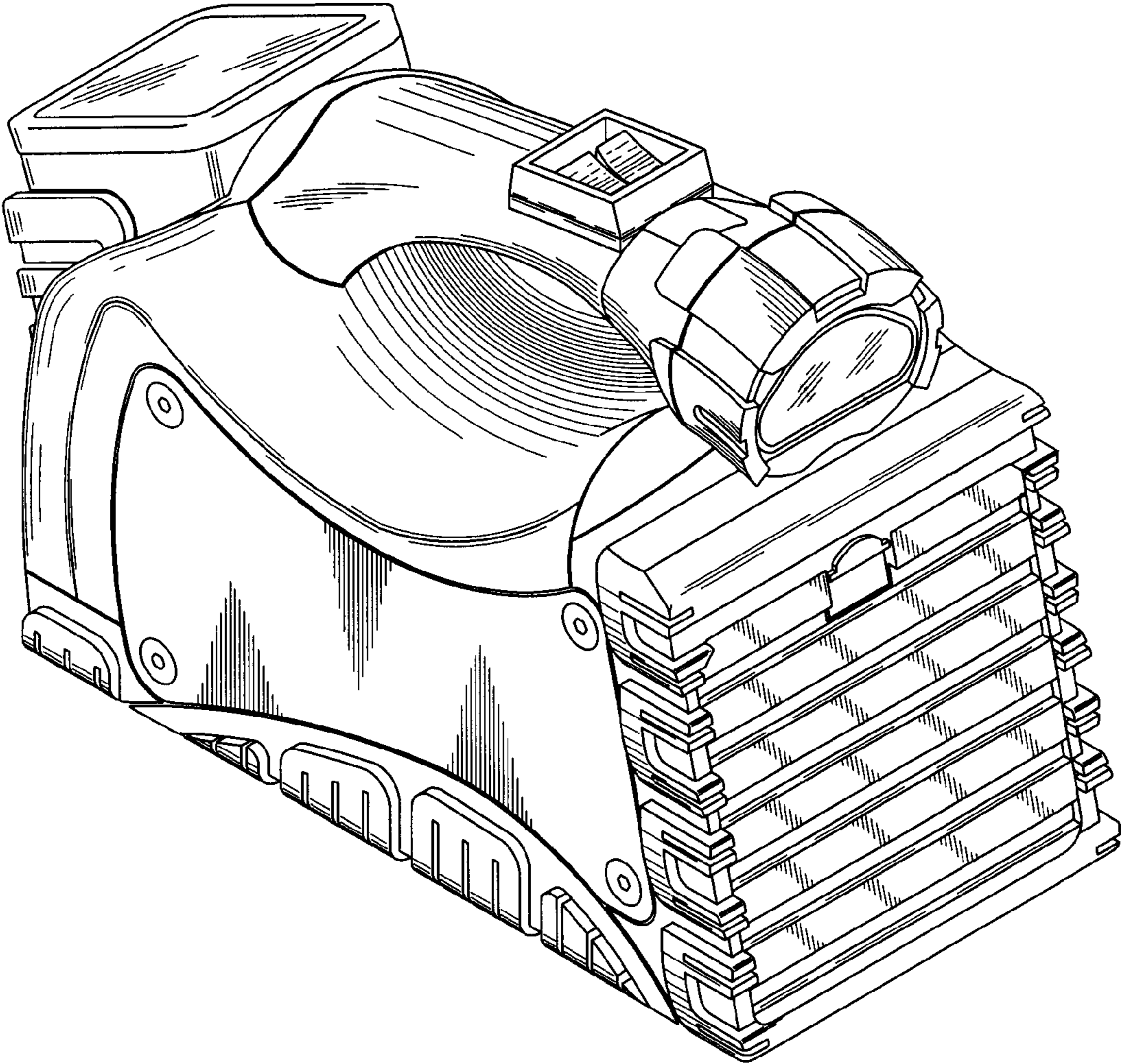


Fig. 2

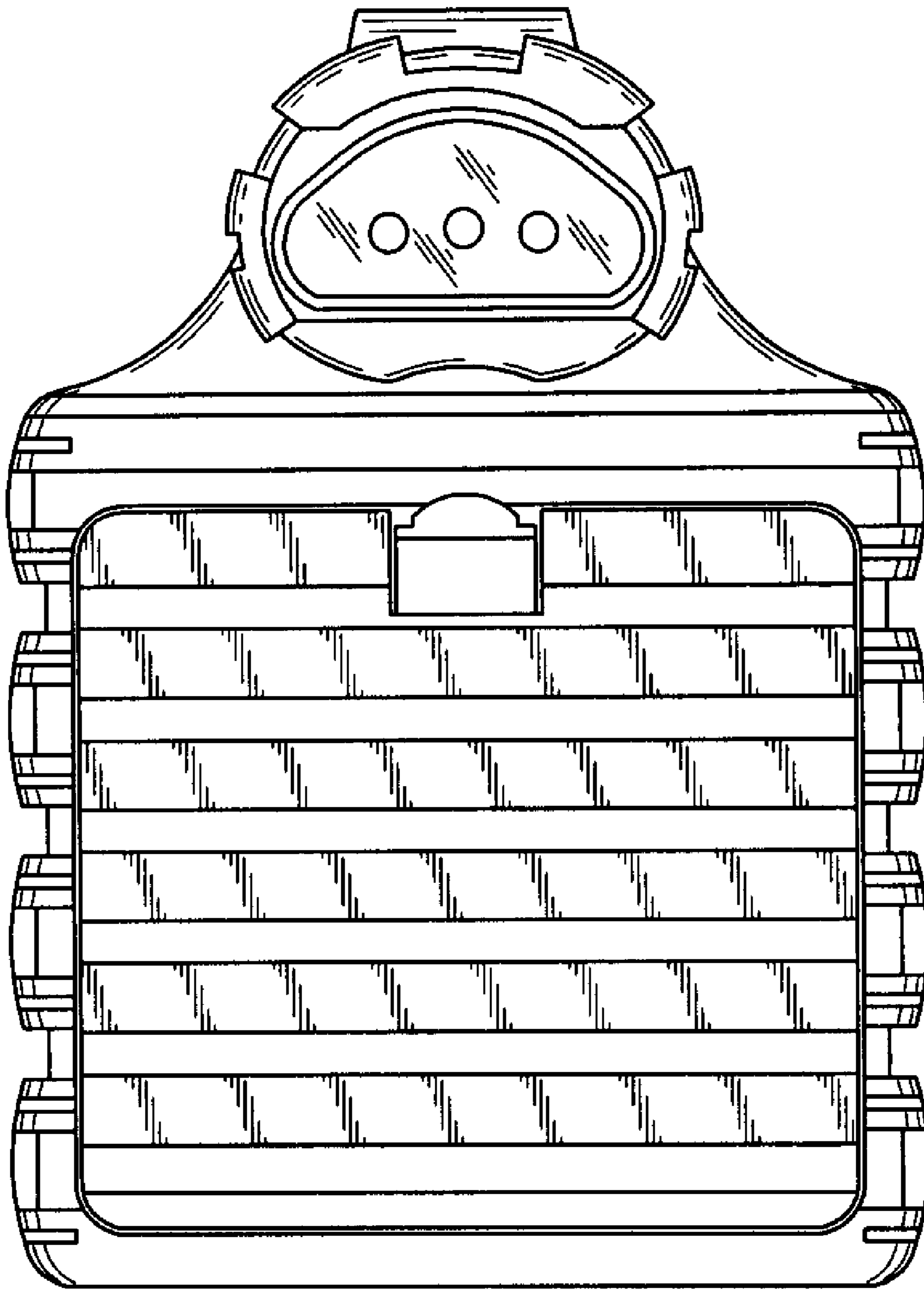




Fig. 3

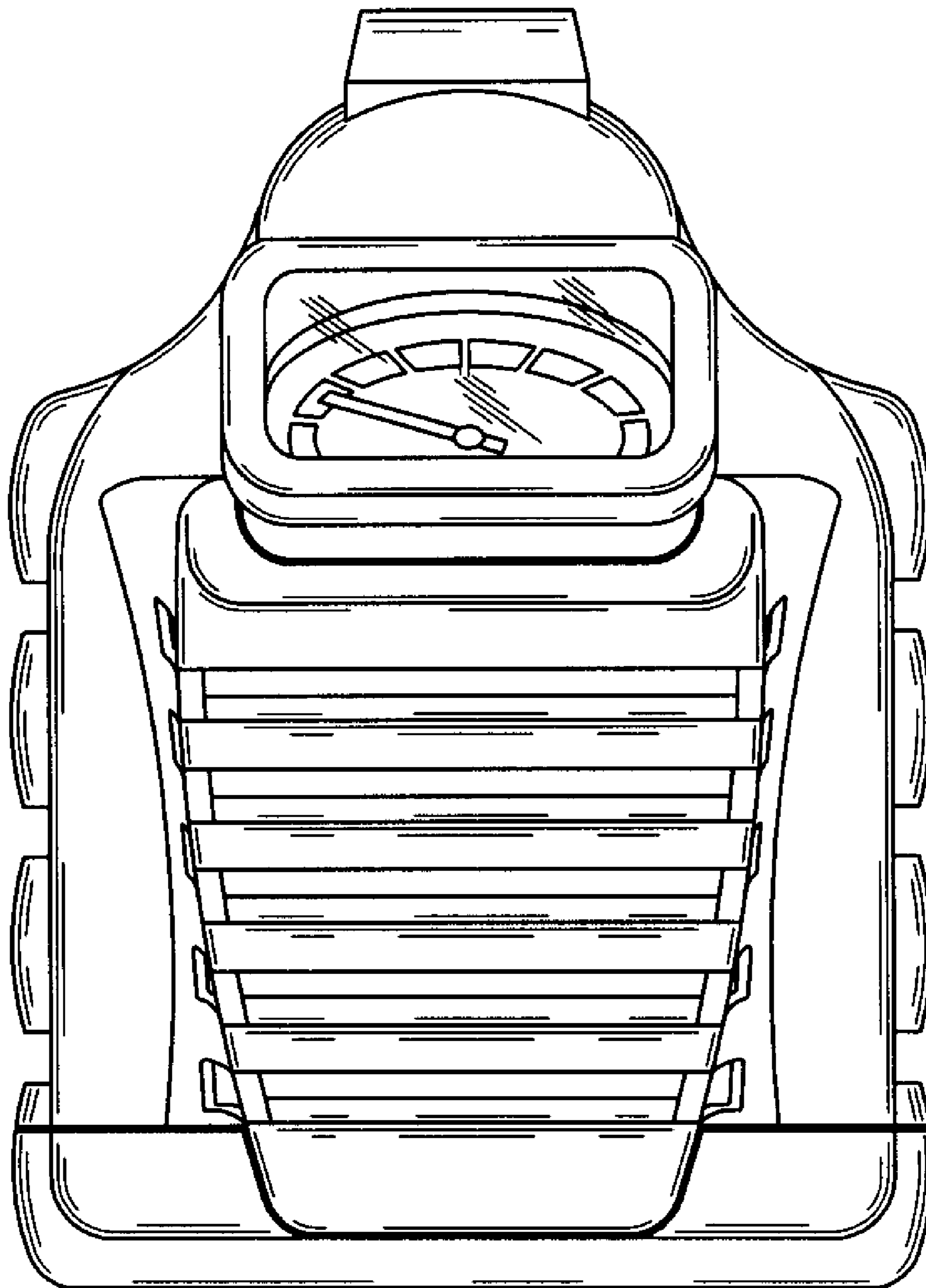


Fig. 4

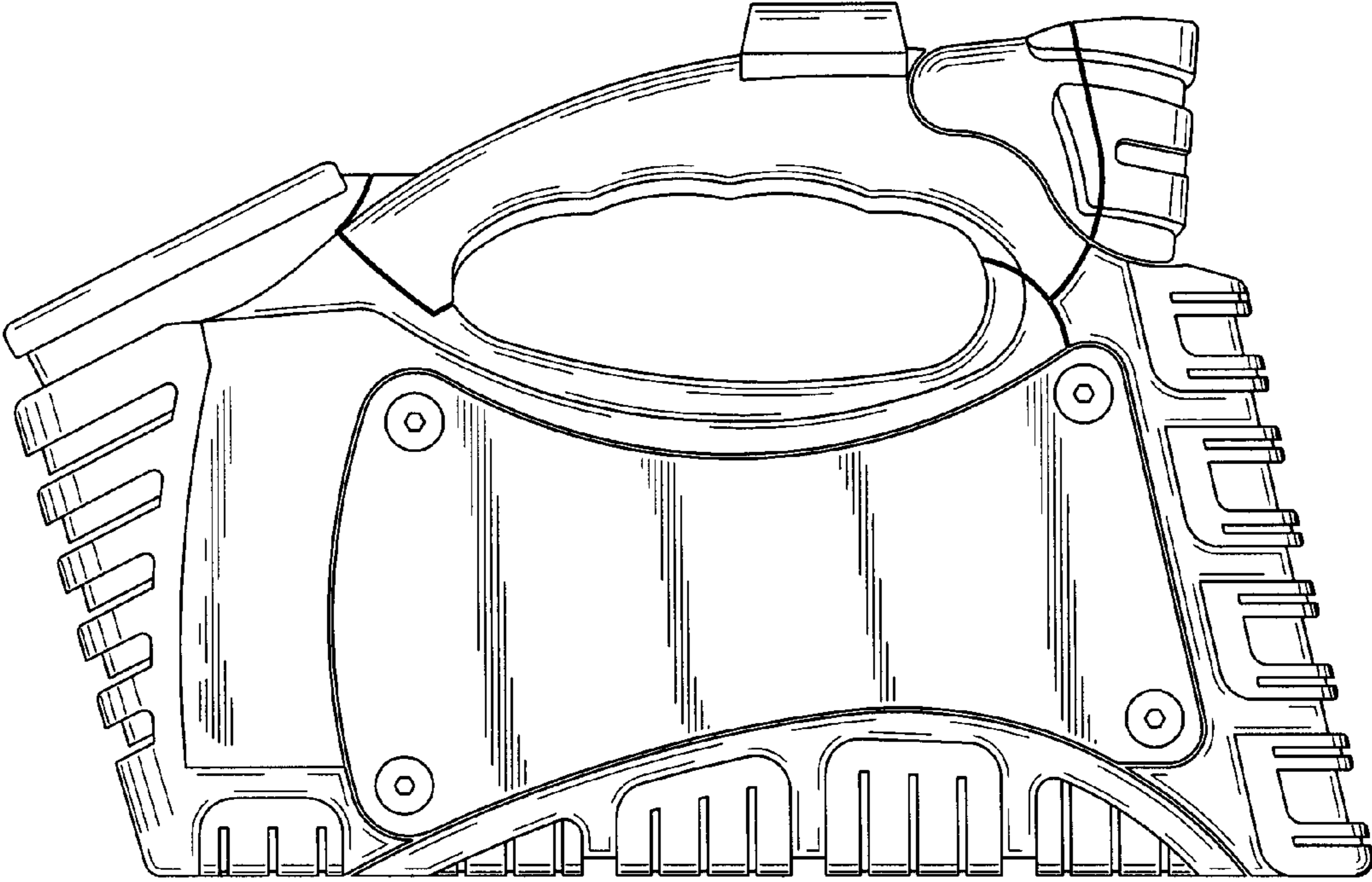


Fig. 5

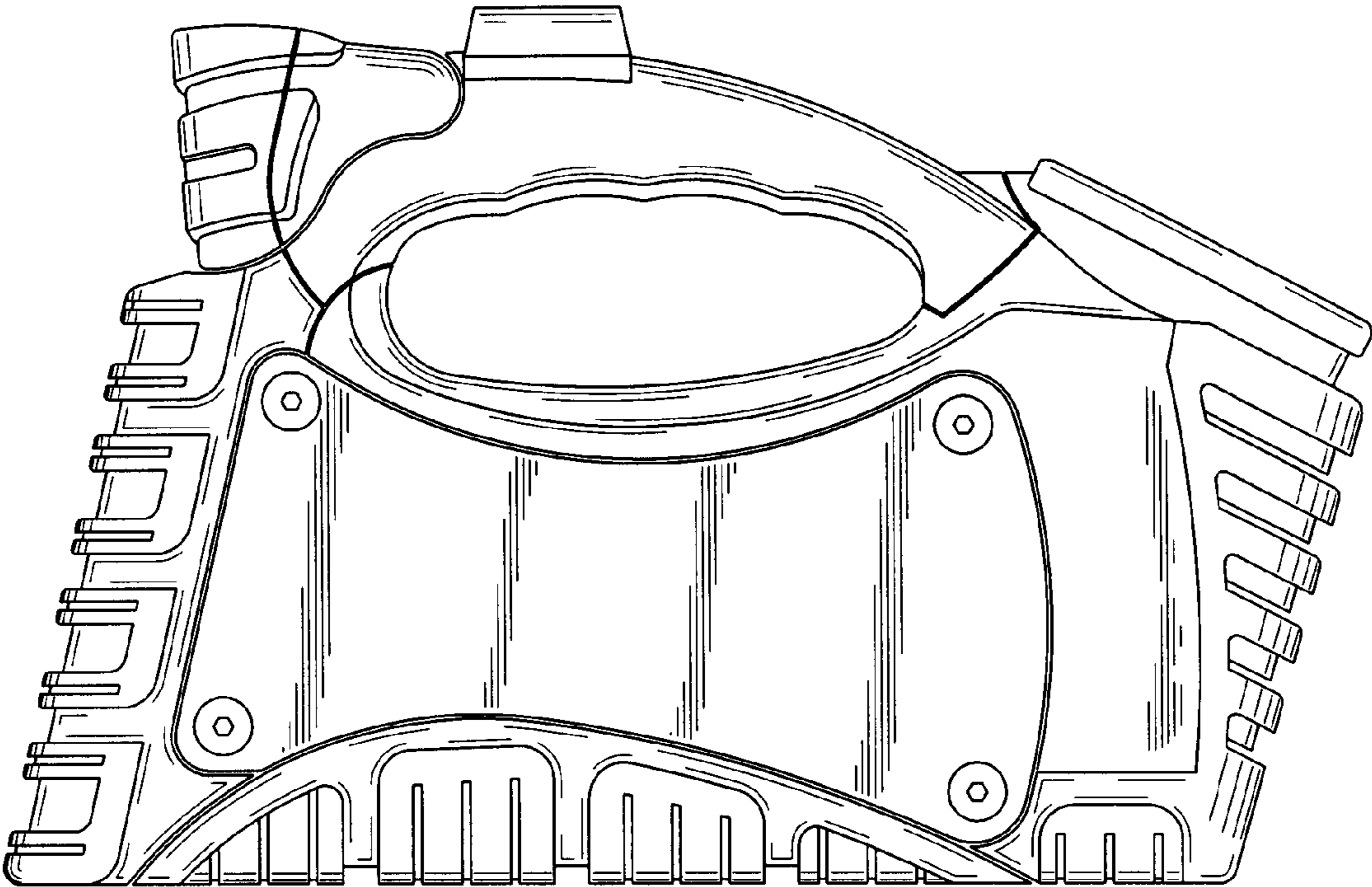


Fig. 6

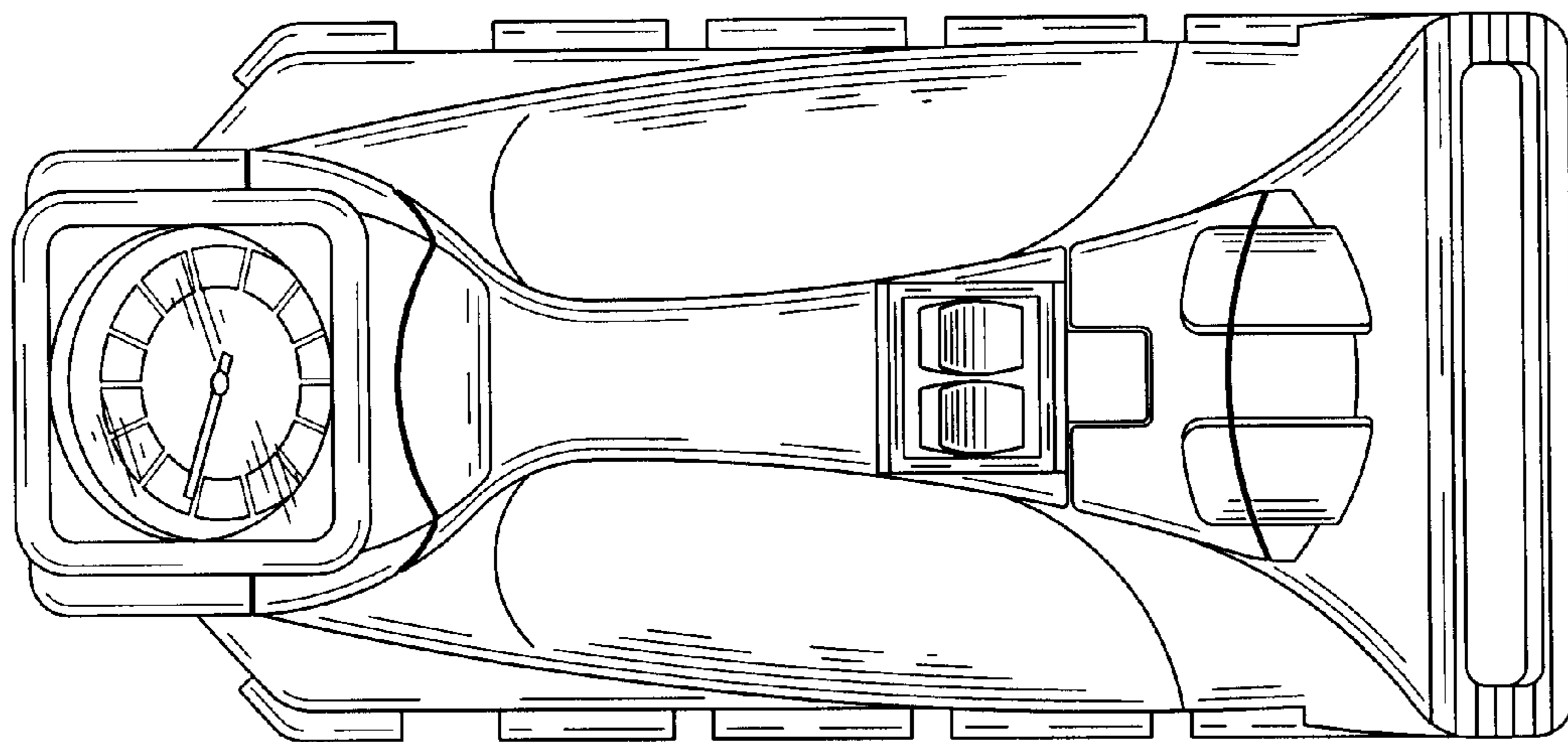


Fig. 7

