



US00D512717S

(12) **United States Design Patent**
Taniho et al.

(10) **Patent No.:** **US D512,717 S**
(45) **Date of Patent:** **** Dec. 13, 2005**

(54) **IMAGE SCANNER FOR A COMPUTER**

D411,834 S * 7/1999 Liu D14/425

(75) Inventors: **Kiichi Taniho**, Kahoku (JP); **Takeshi Chujou**, Kahoku (JP); **Shinichi Ohta**, Komatsu (JP)

* cited by examiner

Primary Examiner—Alan P. Douglas
Assistant Examiner—Susan Moon Lee

(73) Assignee: **Pfu Limited**, Ishikawa (JP)

(74) *Attorney, Agent, or Firm*—Staas & Halsey LLP

(**) Term: **14 Years**

(57) **CLAIM**

(21) Appl. No.: **29/211,970**

The ornamental design for an image scanner for a computer, as shown and described.

(22) Filed: **Aug. 25, 2004**

DESCRIPTION

(30) **Foreign Application Priority Data**

Feb. 26, 2004 (JP) 2004-005585

FIG. 1 is a front perspective view of an image scanner for a computer showing our new design;
FIG. 2 is a front view thereof;
FIG. 3 is a rear view thereof;
FIG. 4 is a left side elevational view thereof;
FIG. 5 is a top plan view thereof;
FIG. 6 is a bottom plan view thereof;
FIG. 7 is a front perspective view thereof with the cover open; and,
FIG. 8 is a front perspective view thereof with the cover removed.

(51) **LOC (6) Cl.** **14-02**

(52) **U.S. Cl.** **D14/425**

(58) **Field of Search** D14/420, 422,
D14/424–25, 464, 453; D18/36–39; 235/470;
355/72, 75, 40; 358/474, 486, 488, 494,
497

The broken line in the drawings is for illustrative purpose only and forms no part of the claimed design.

(56) **References Cited**

U.S. PATENT DOCUMENTS

D380,742 S * 7/1997 van de Loo D14/425

D388,773 S * 1/1998 Chang et al. D14/425

1 Claim, 5 Drawing Sheets

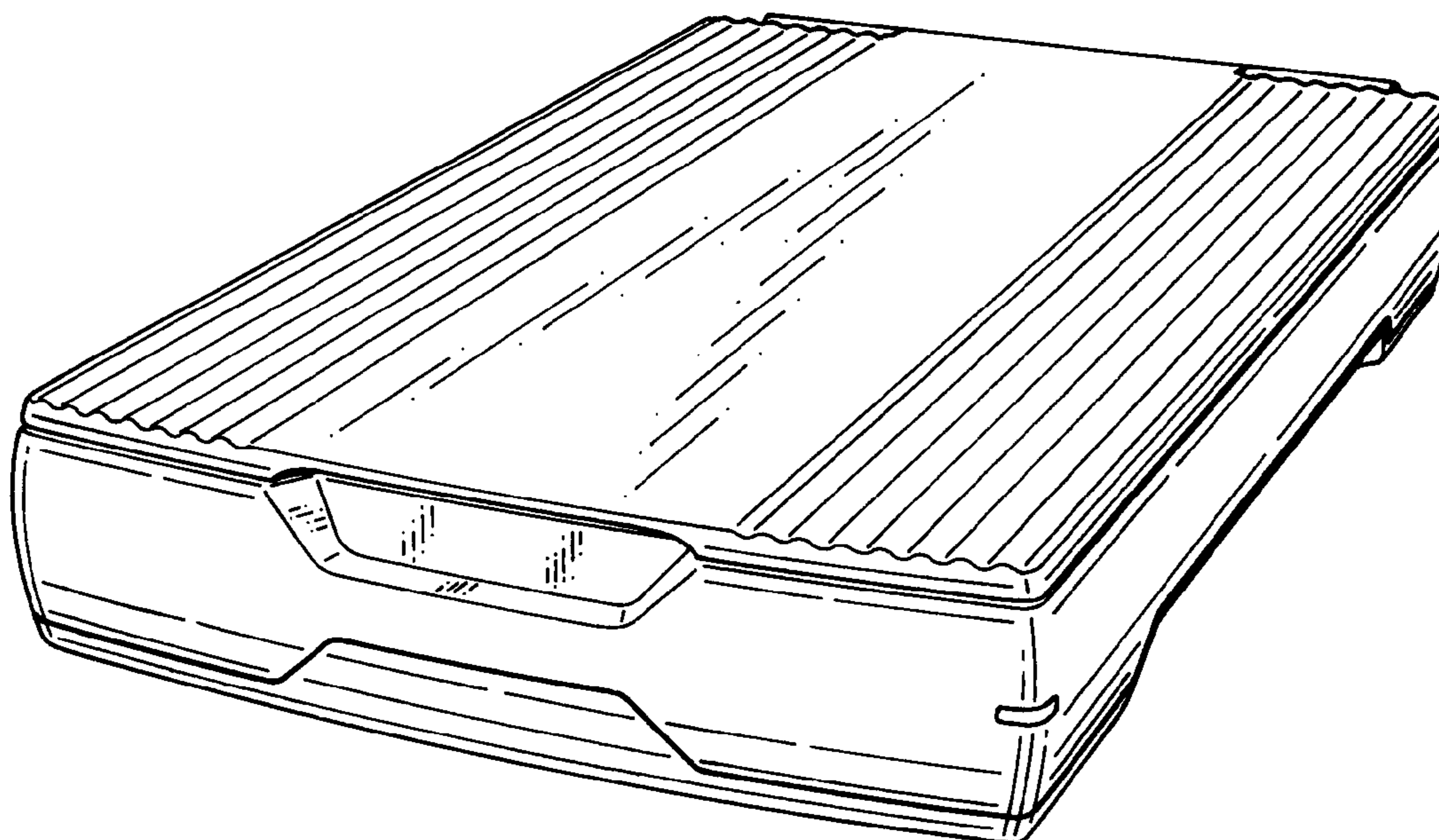


Fig. 1

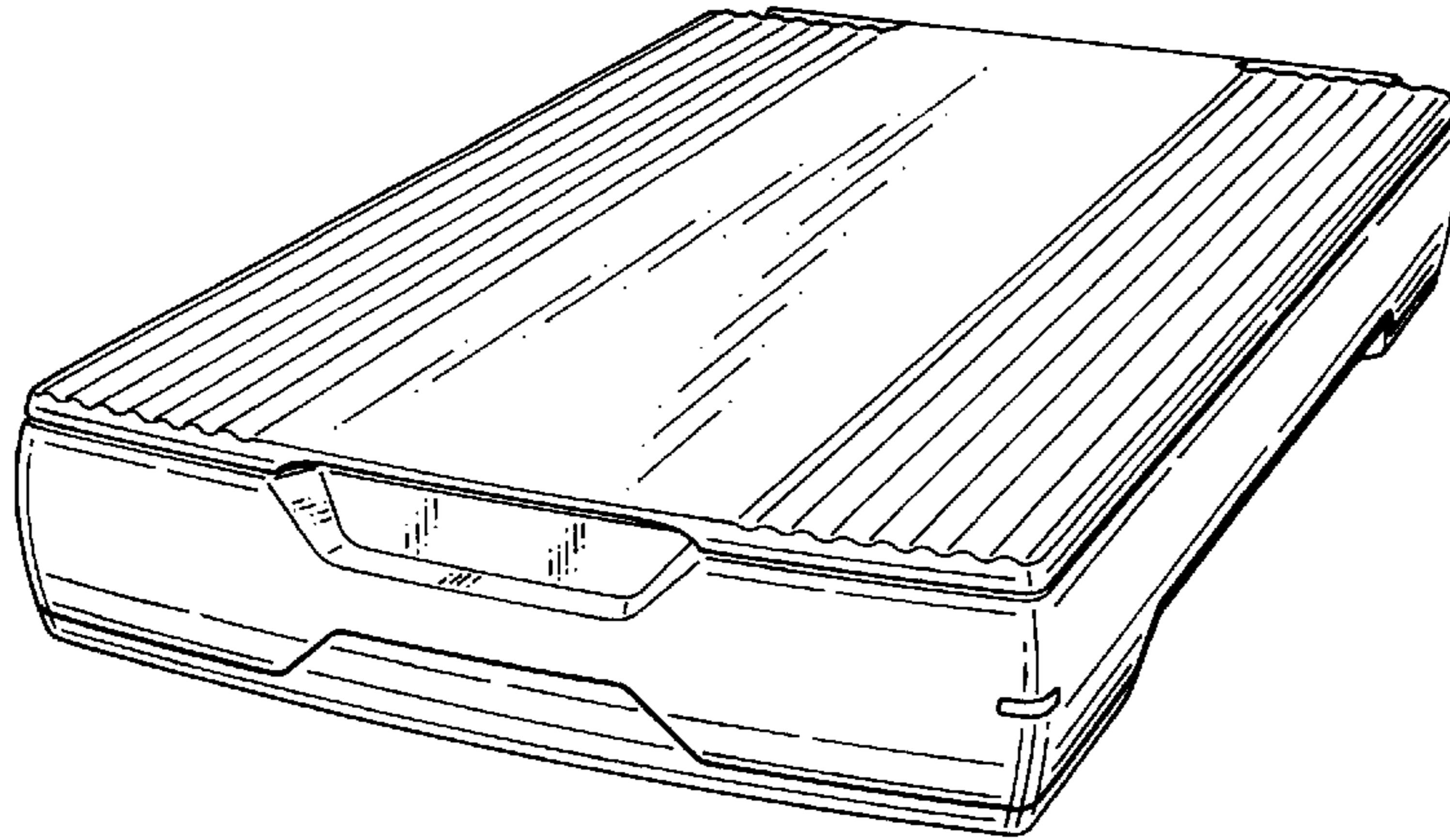


Fig. 2

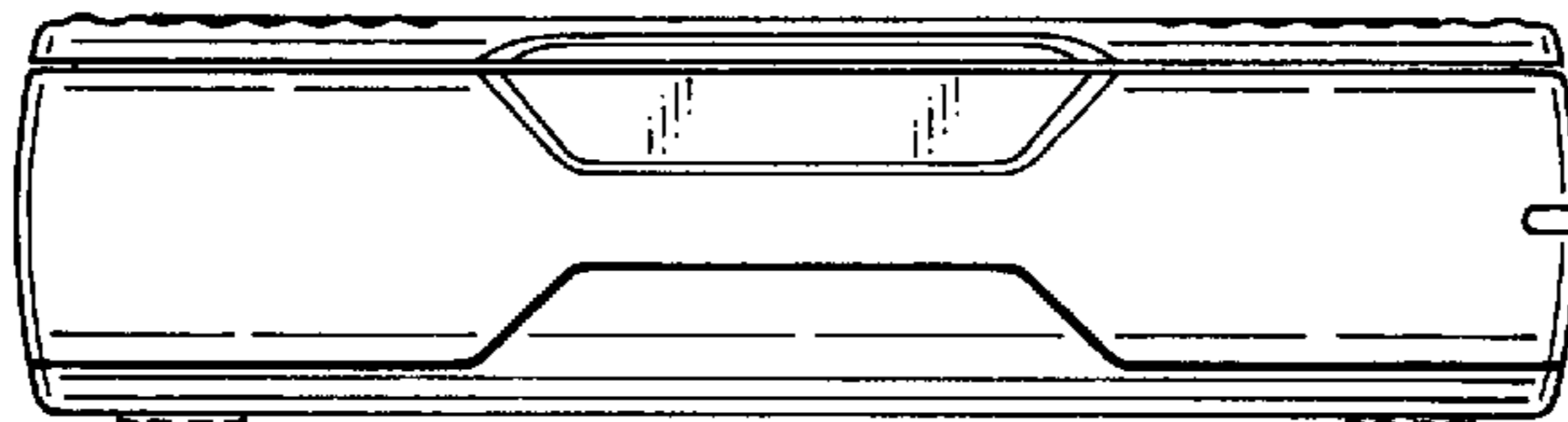


Fig. 3

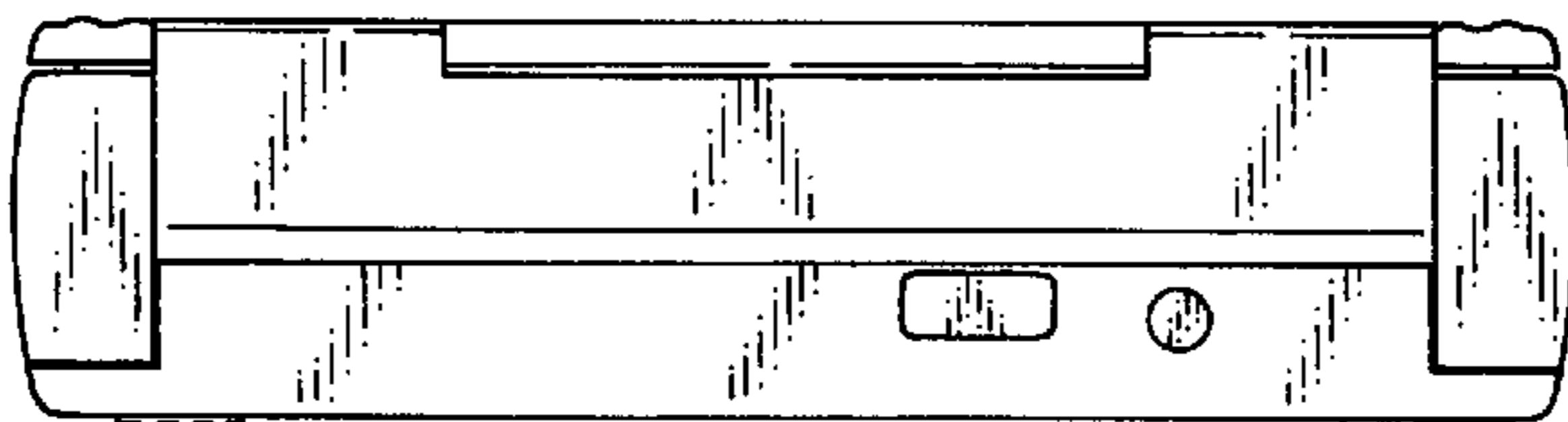


Fig. 4

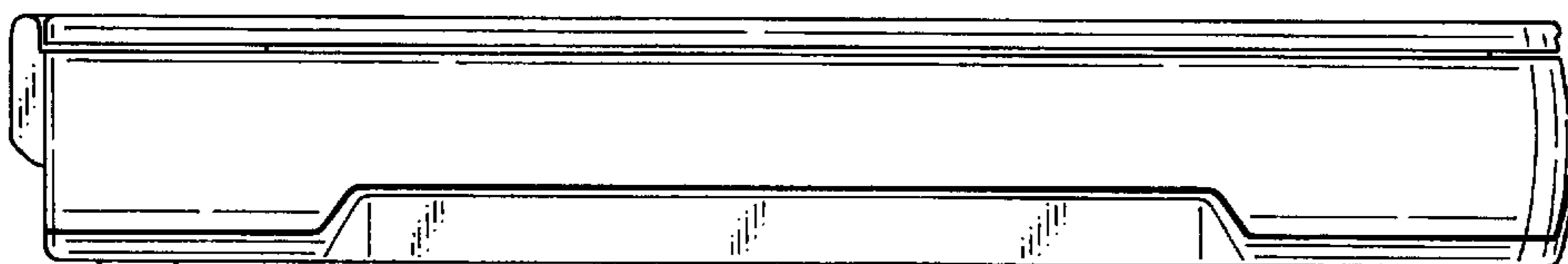


Fig. 5

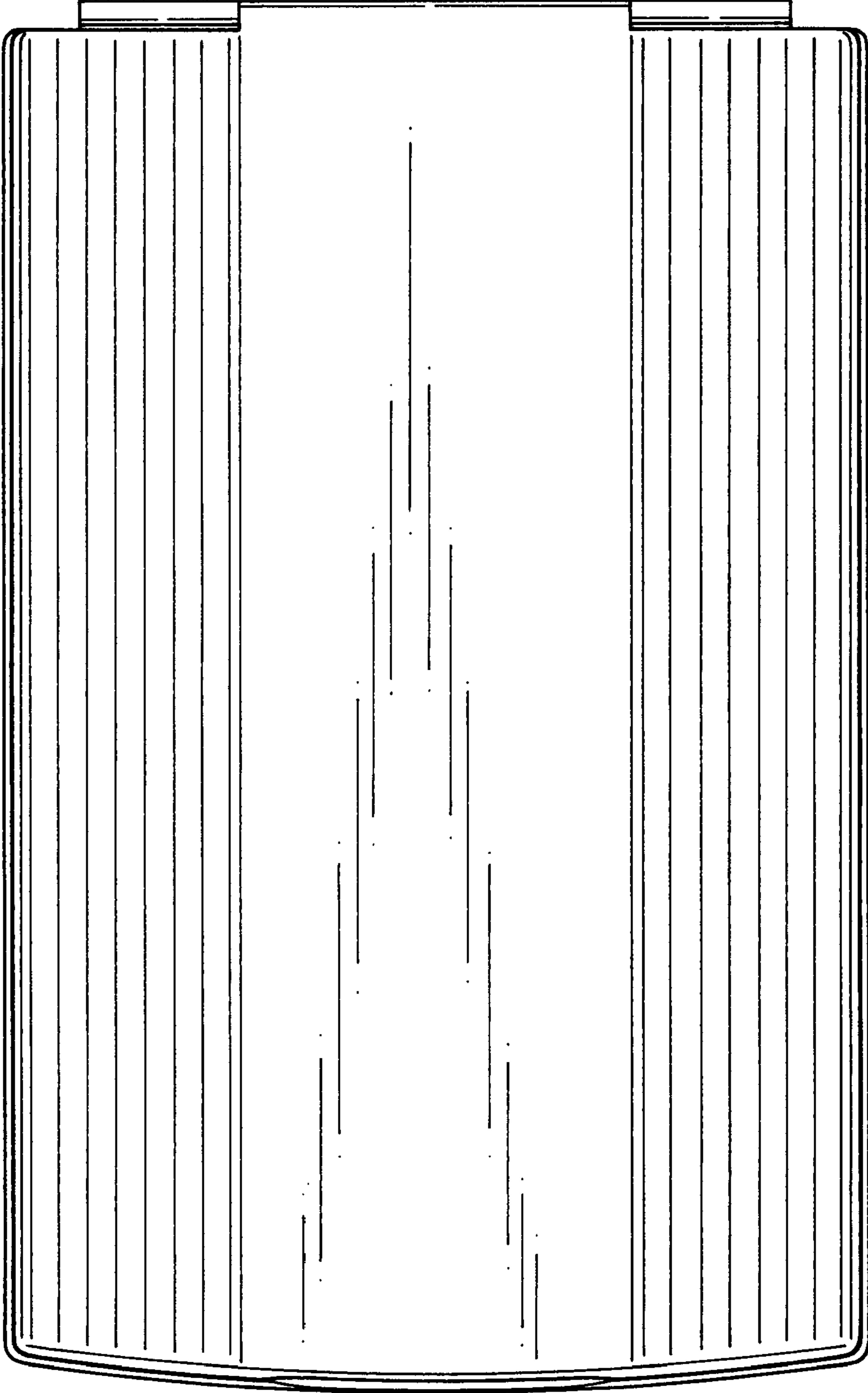


Fig.6

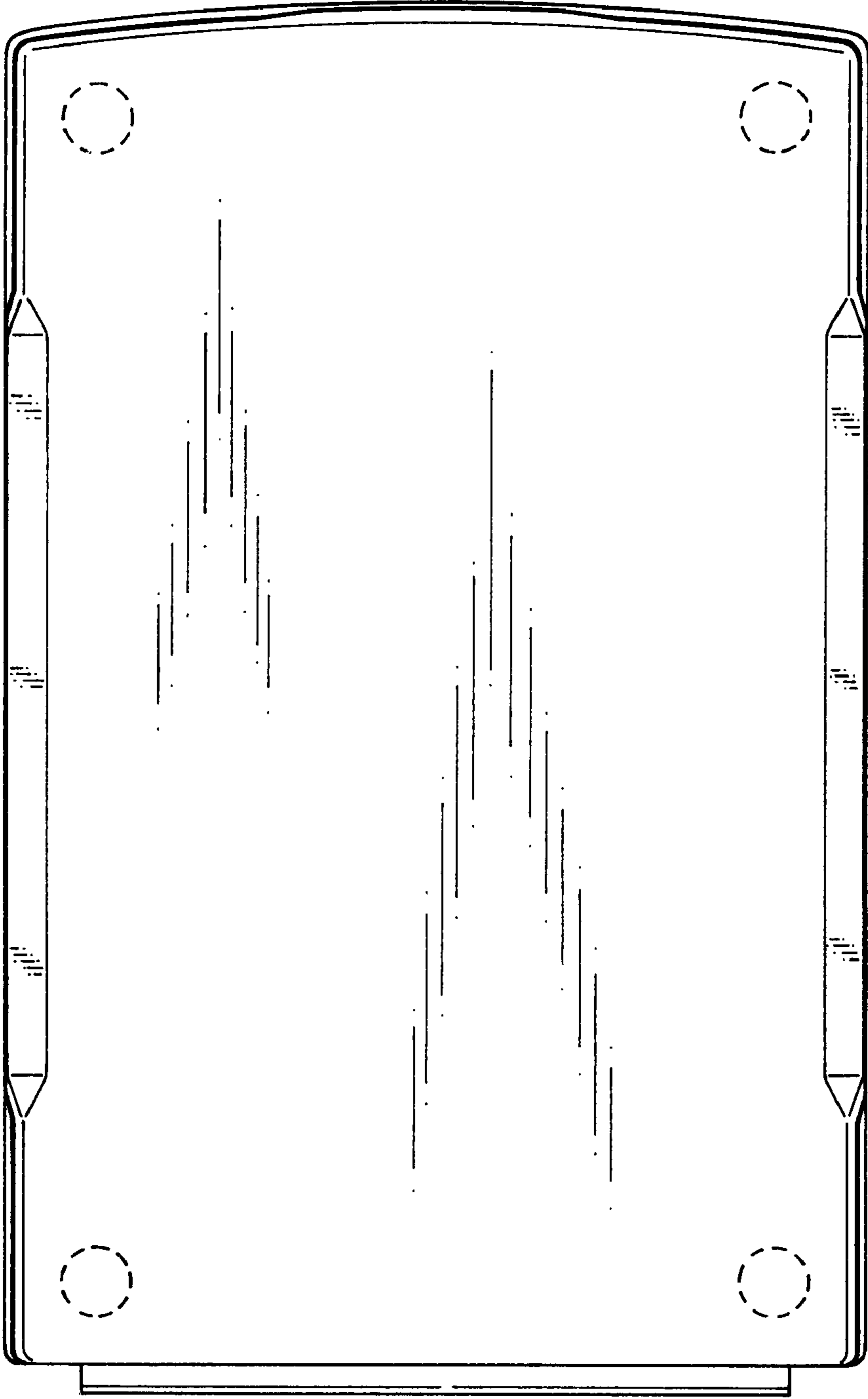


Fig.7

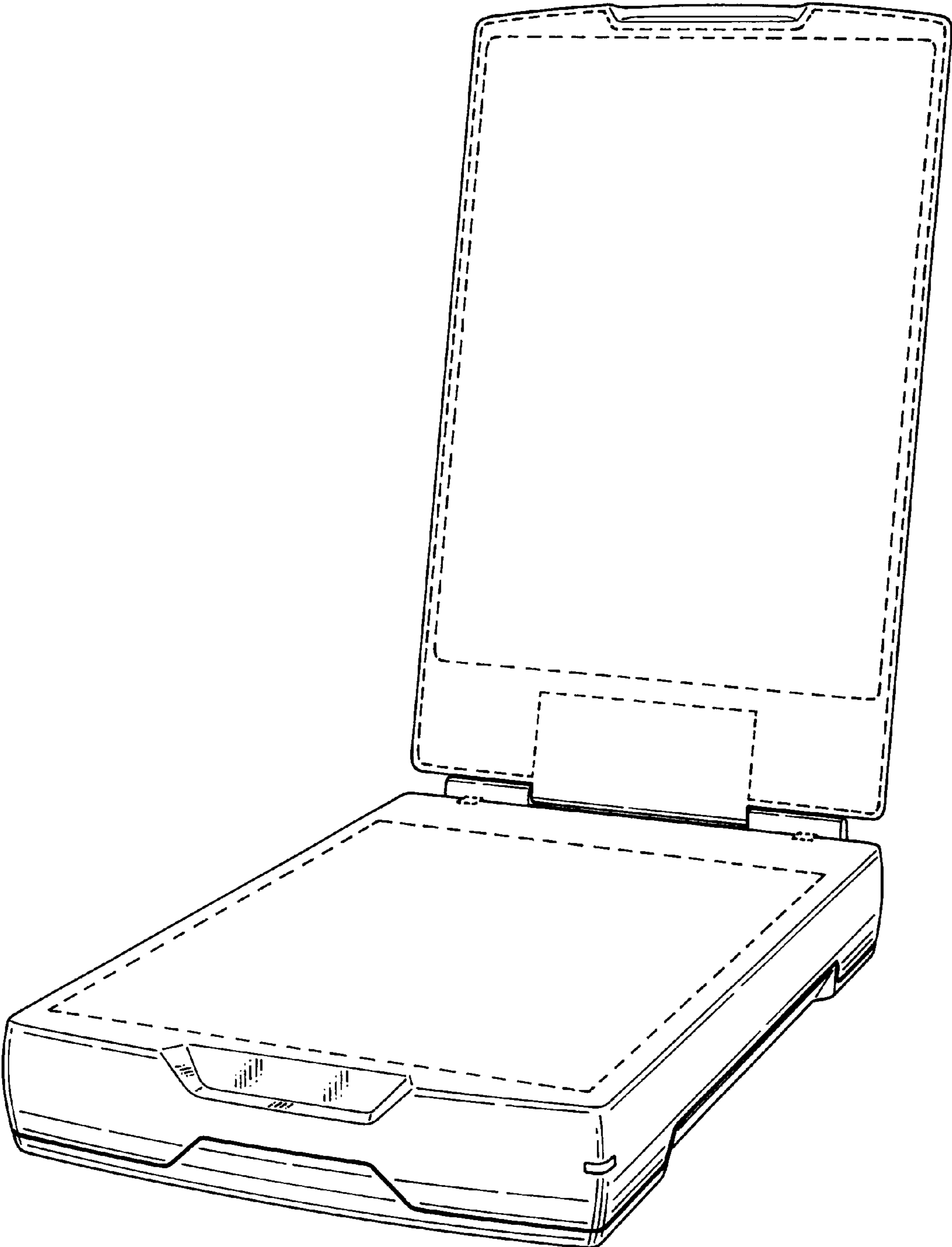


Fig.8

