

US00D512712S

(12) **United States Design Patent**
Brown et al.

(10) **Patent No.: US D512,712 S**
(45) **Date of Patent: ** Dec. 13, 2005**

(54) **DESKSPOOL**

D487,261 S * 3/2004 Cors et al. D14/240
D490,802 S * 6/2004 Beck et al. D14/240

(75) Inventors: **Gordon Brown**, Pinner (GB); **Mark Taylor**, St. Albans (GB); **Stanley Chung**, Kowloon (HK)

* cited by examiner

Primary Examiner—Charles A. Rademaker

(73) Assignee: **Teleadapt Limited**, London (GB)

(74) *Attorney, Agent, or Firm*—Dickinson Wright, PLLC

(**) Term: **14 Years**

(57) **CLAIM**

(21) Appl. No.: **29/209,015**

The ornamental design for a deskspool, as shown and described.

(22) Filed: **Jul. 12, 2004**

DESCRIPTION

(51) **LOC (6) Cl.** **14-03**

FIG. 1 is a front perspective view of a powerspool, according to a design of the present invention.

(52) **U.S. Cl.** **D14/240**

FIG. 2 is a front view of the powerspool of FIG. 1.

(58) **Field of Search** D14/240, 243,

FIG. 3 is a rear view of the powerspool of FIG. 1.

D14/2, 142, 409, 358, 432, 256; D13/144;

FIG. 4 is a right side view of the powerspool of FIG. 1.

455/569, 570; 379/422, 424, 426, 427;

FIG. 5 is a left side view of the powerspool of FIG. 1.

D10/106; 73/43

FIG. 6 is a top view of the powerspool of FIG. 1.

(56) **References Cited**

FIG. 7 is a bottom view of the powerspool of FIG. 1; and,

U.S. PATENT DOCUMENTS

FIG. 8 is another front perspective view thereof with broken lines used to indicate an alternate environment.

D353,380 S * 12/1994 Baum et al. D14/240

The broken line showing of portions of the powerspool is for illustrative purposes only and forms no part of the claimed design.

D382,274 S * 8/1997 Lo et al. D14/256

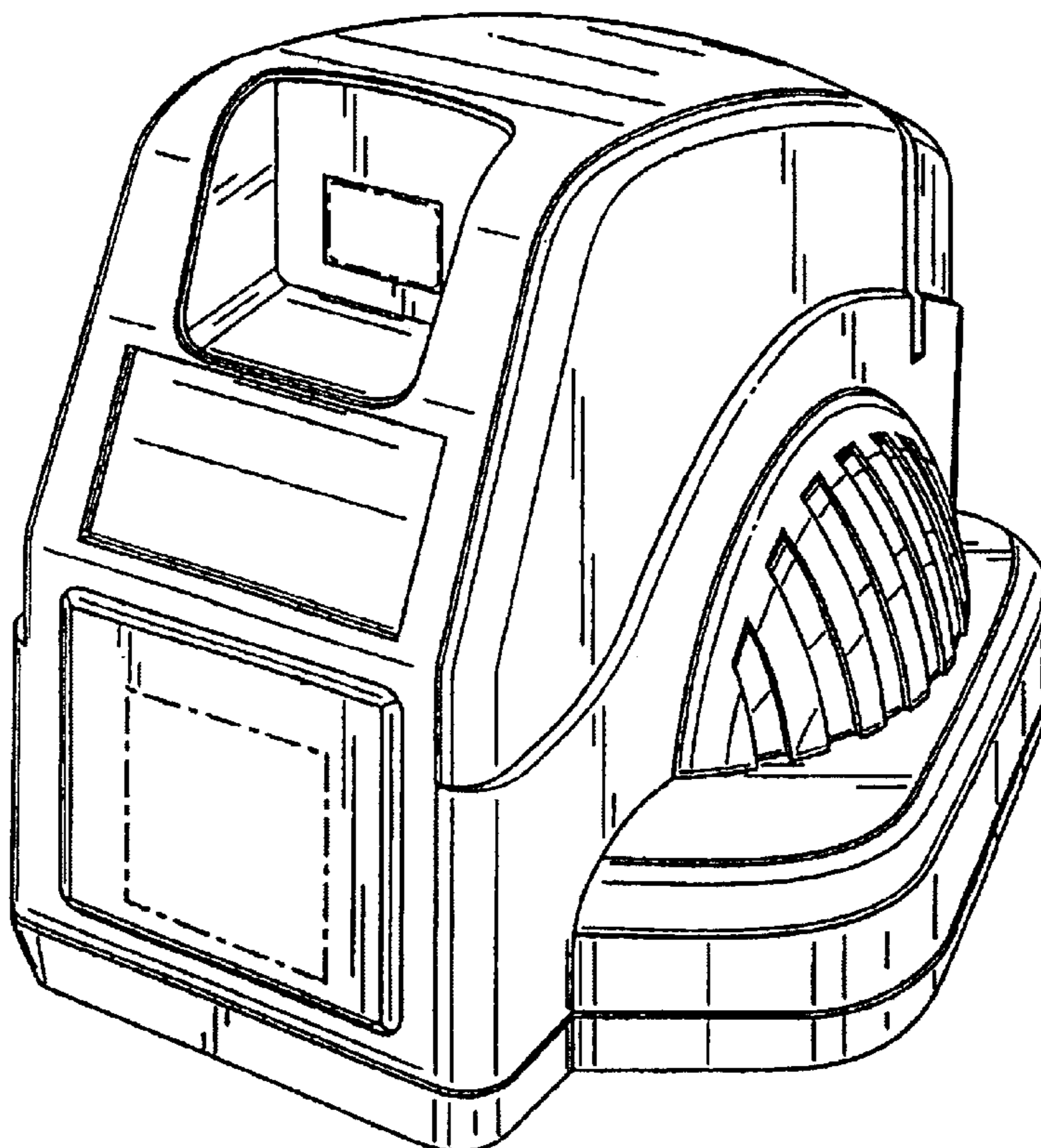
D425,071 S * 5/2000 Boswell D14/240

D448,365 S * 9/2001 Kerestegian et al. D14/240

D471,900 S * 3/2003 Saunders et al. D14/240

D478,069 S * 8/2003 Beck et al. D14/240

1 Claim, 8 Drawing Sheets



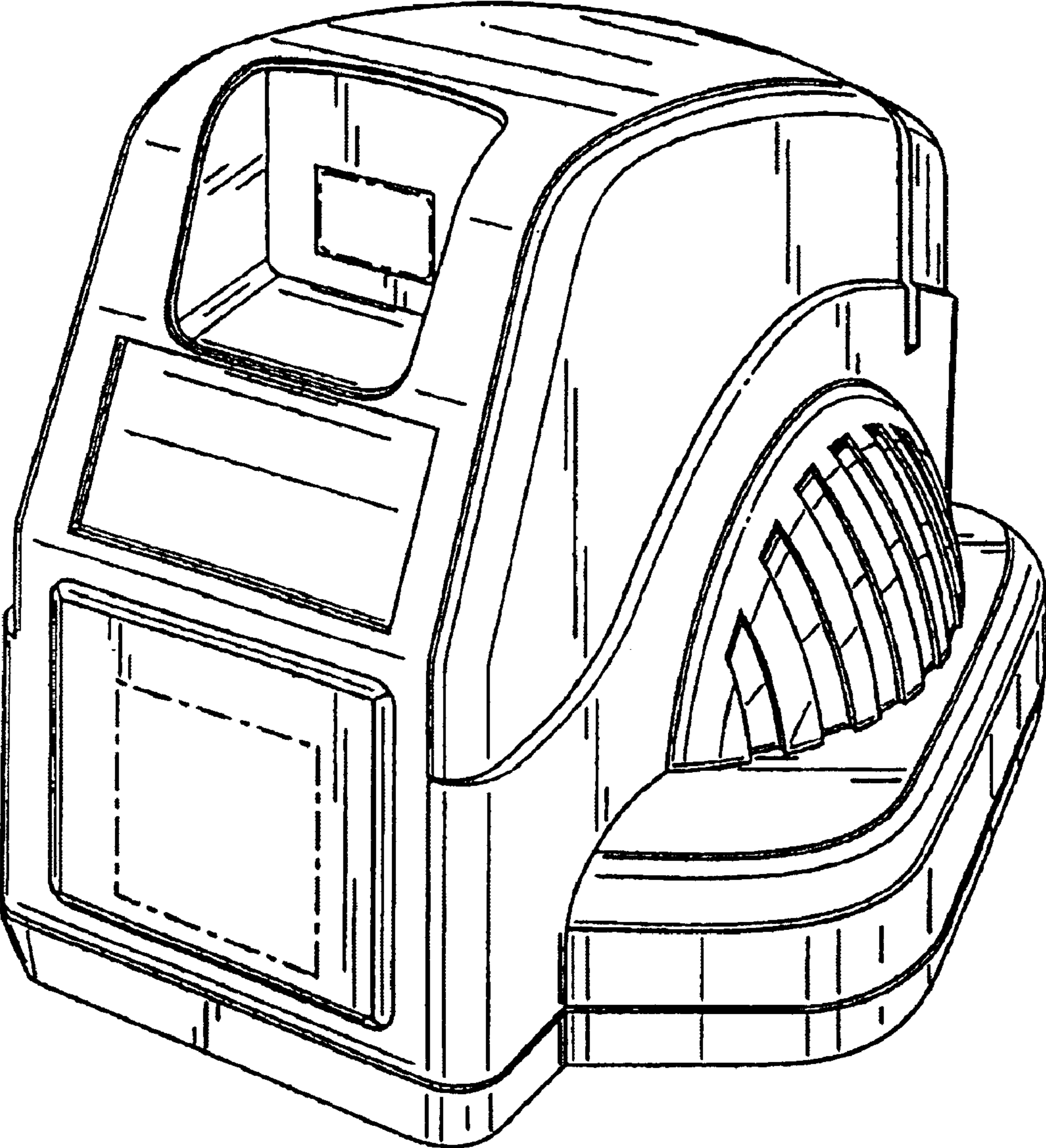


FIG. 1

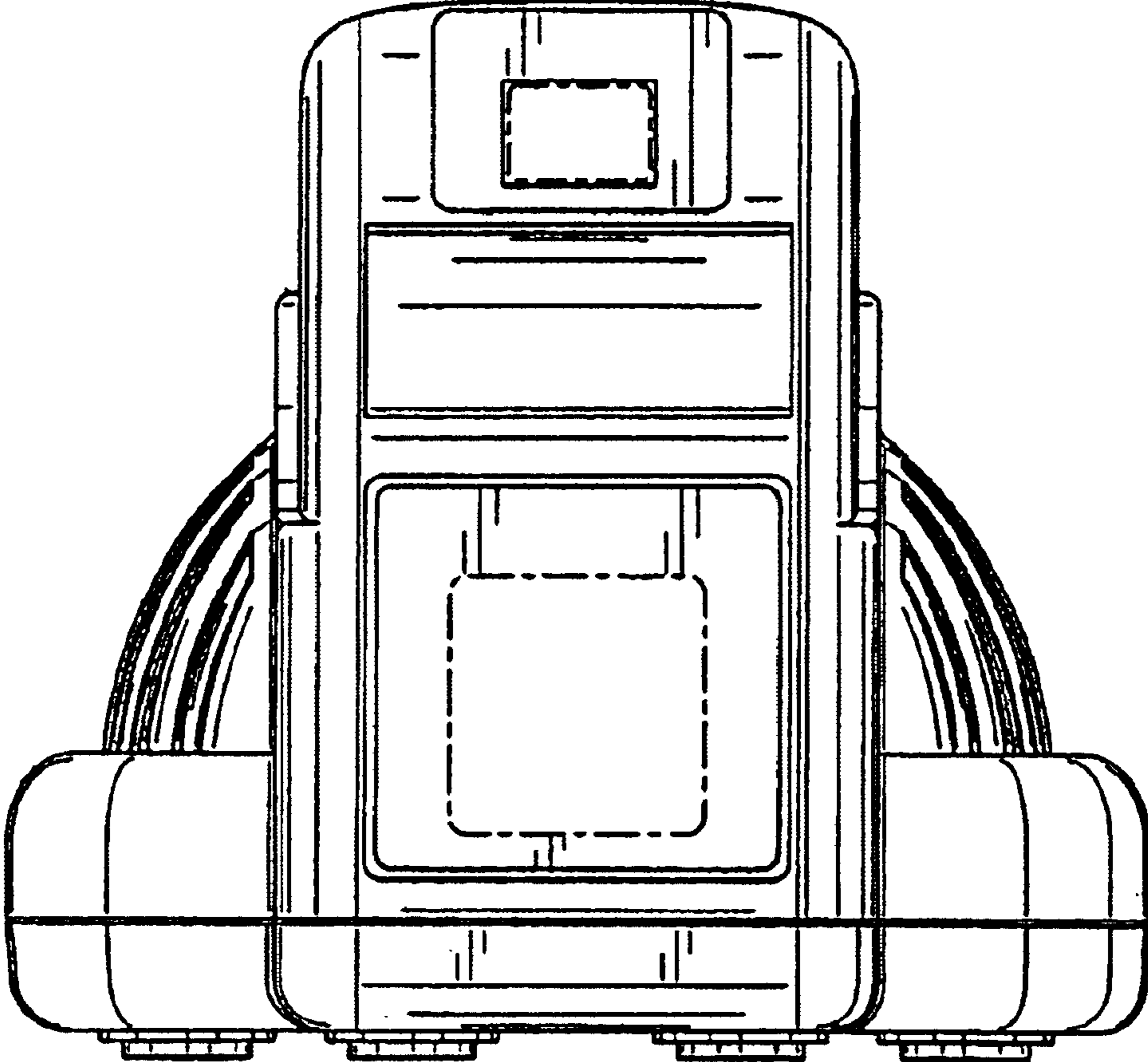


FIG. 2

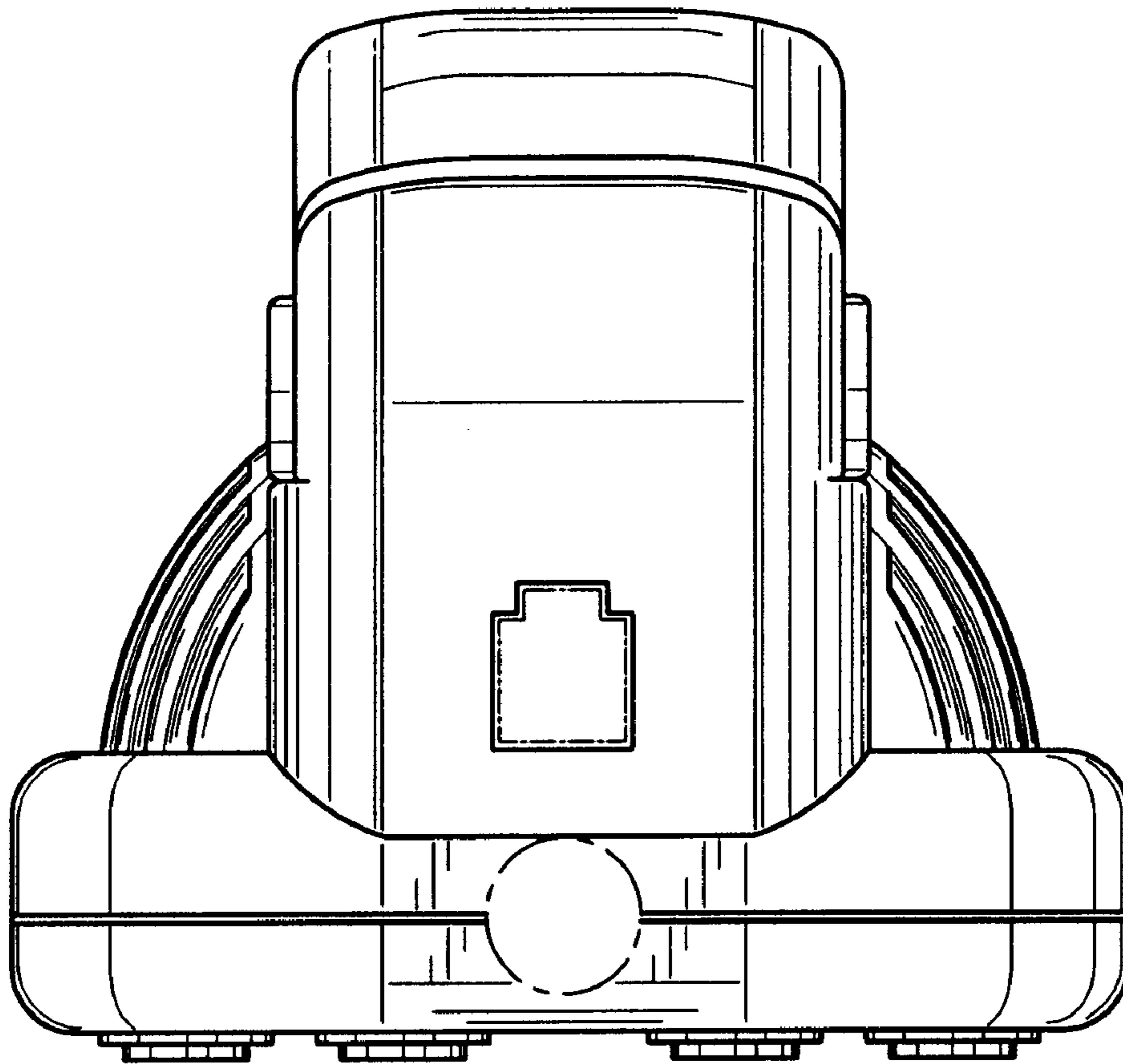


FIG. 3

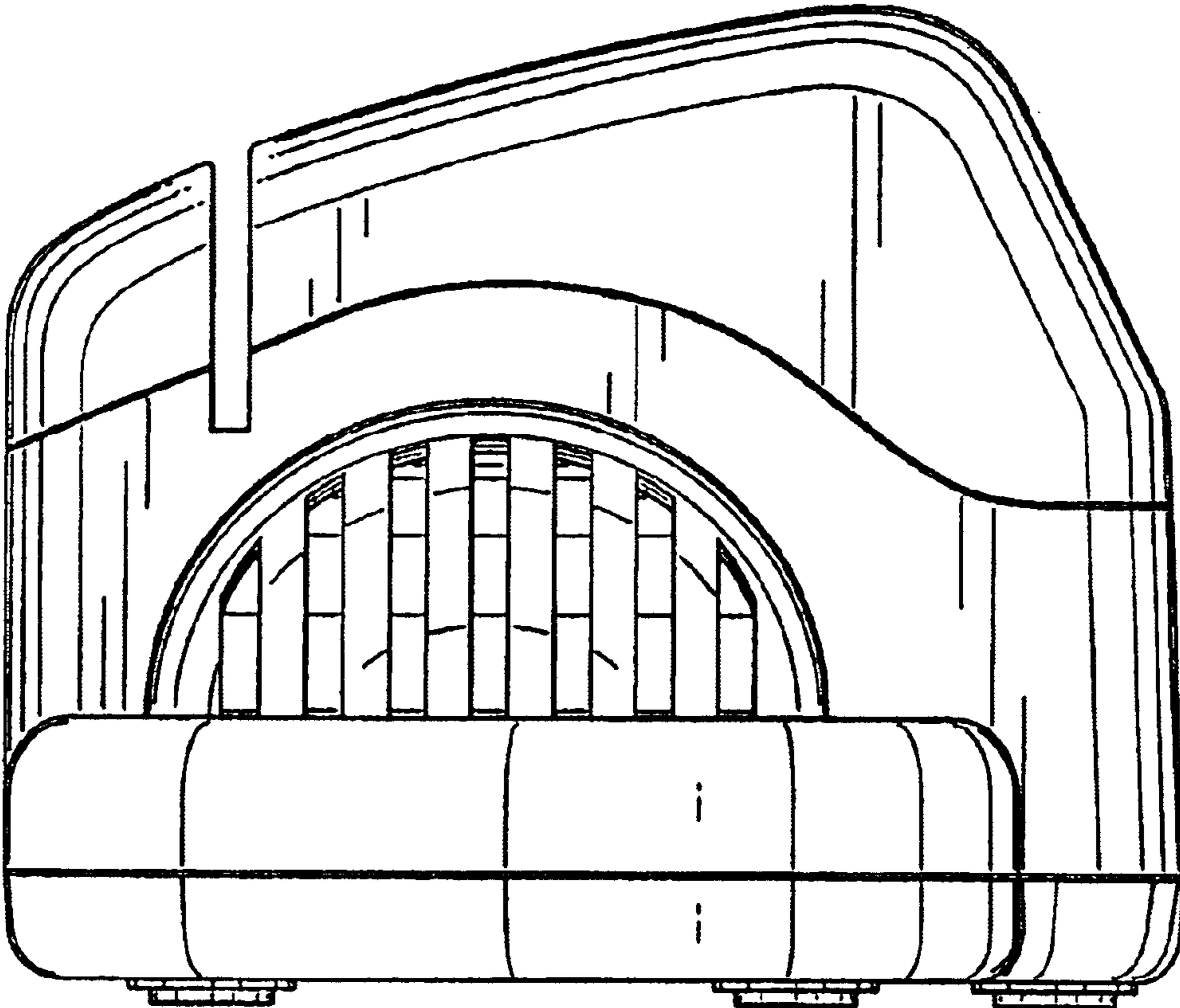


FIG. 4

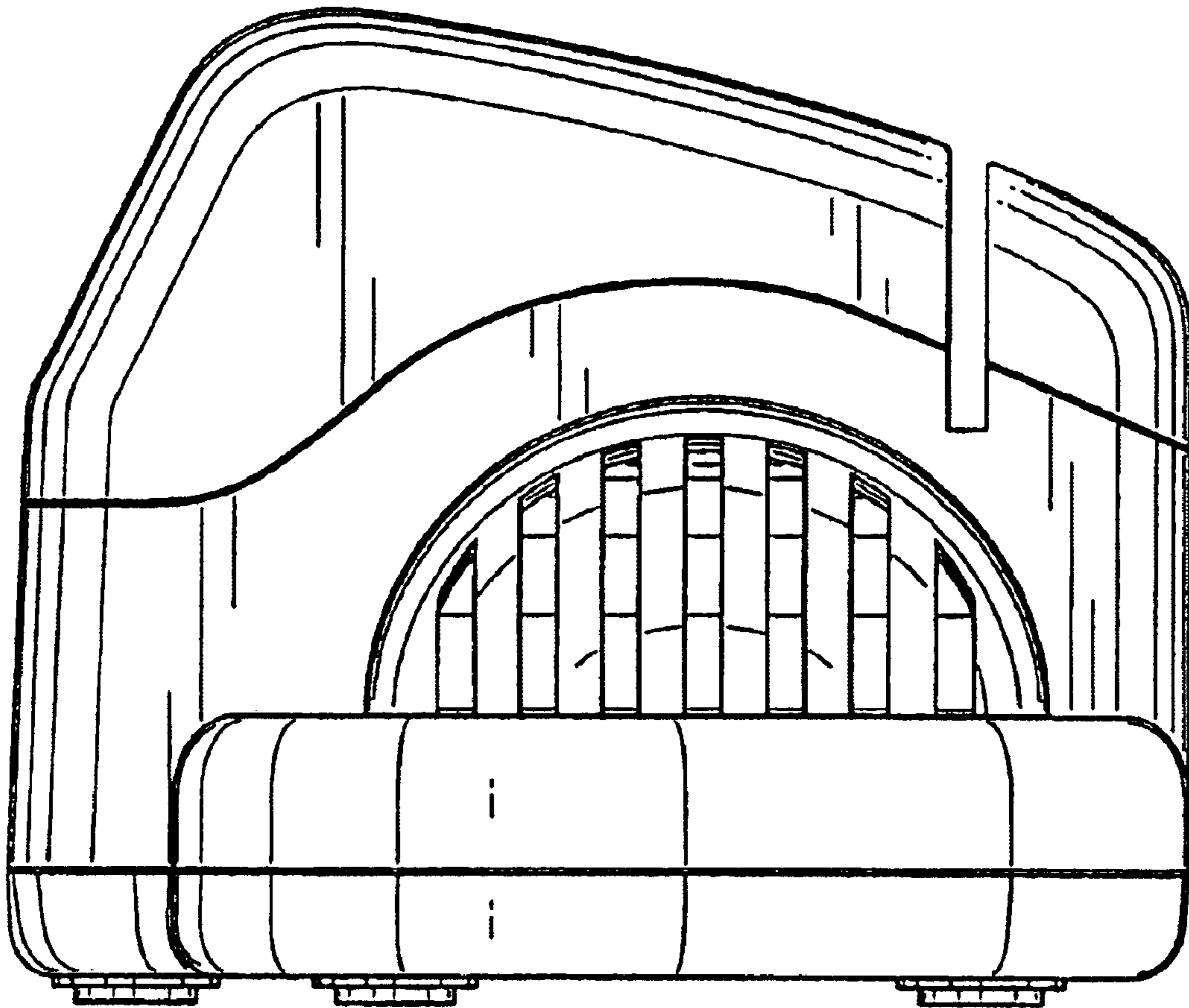


FIG. 5

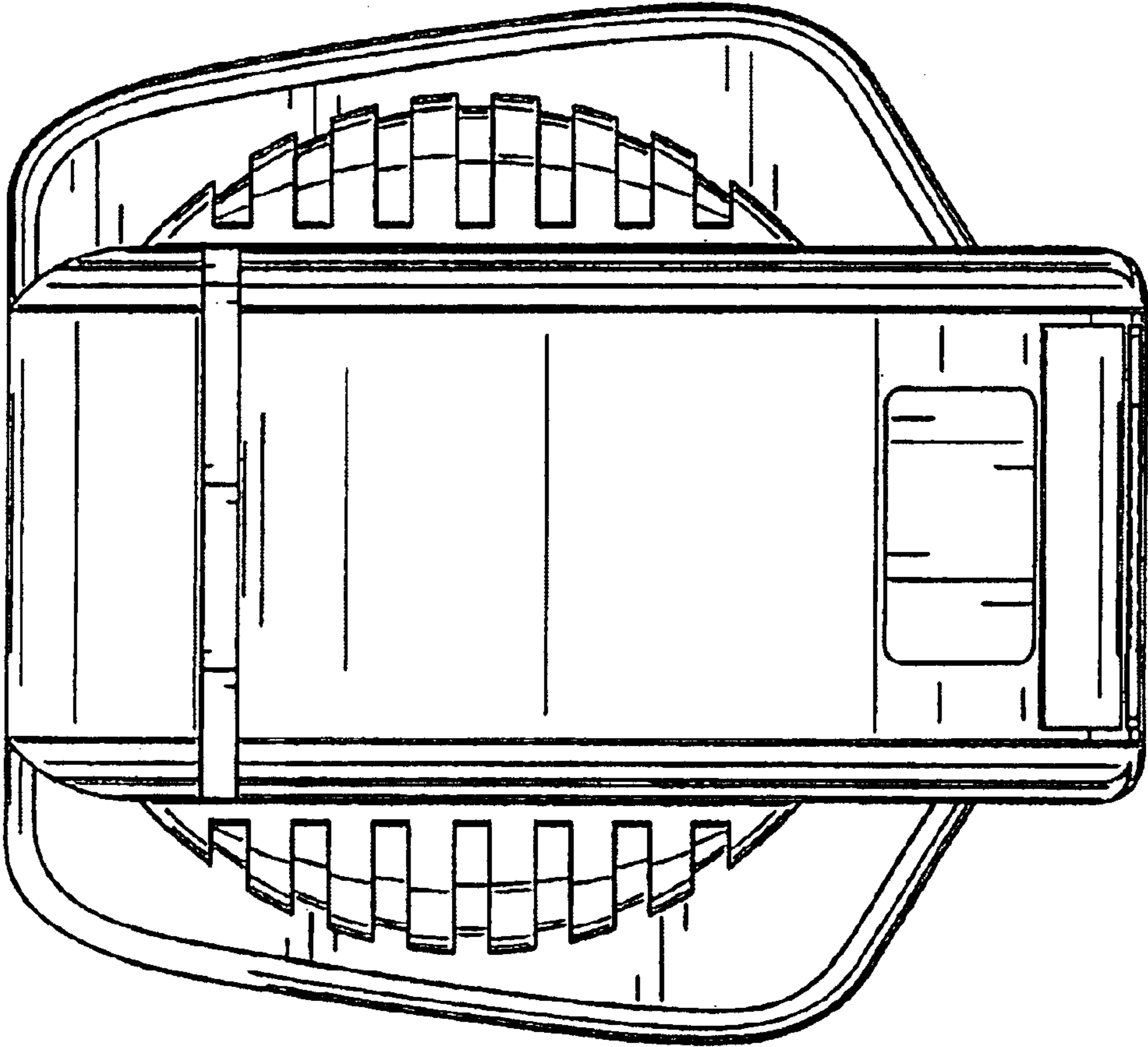


FIG. 6

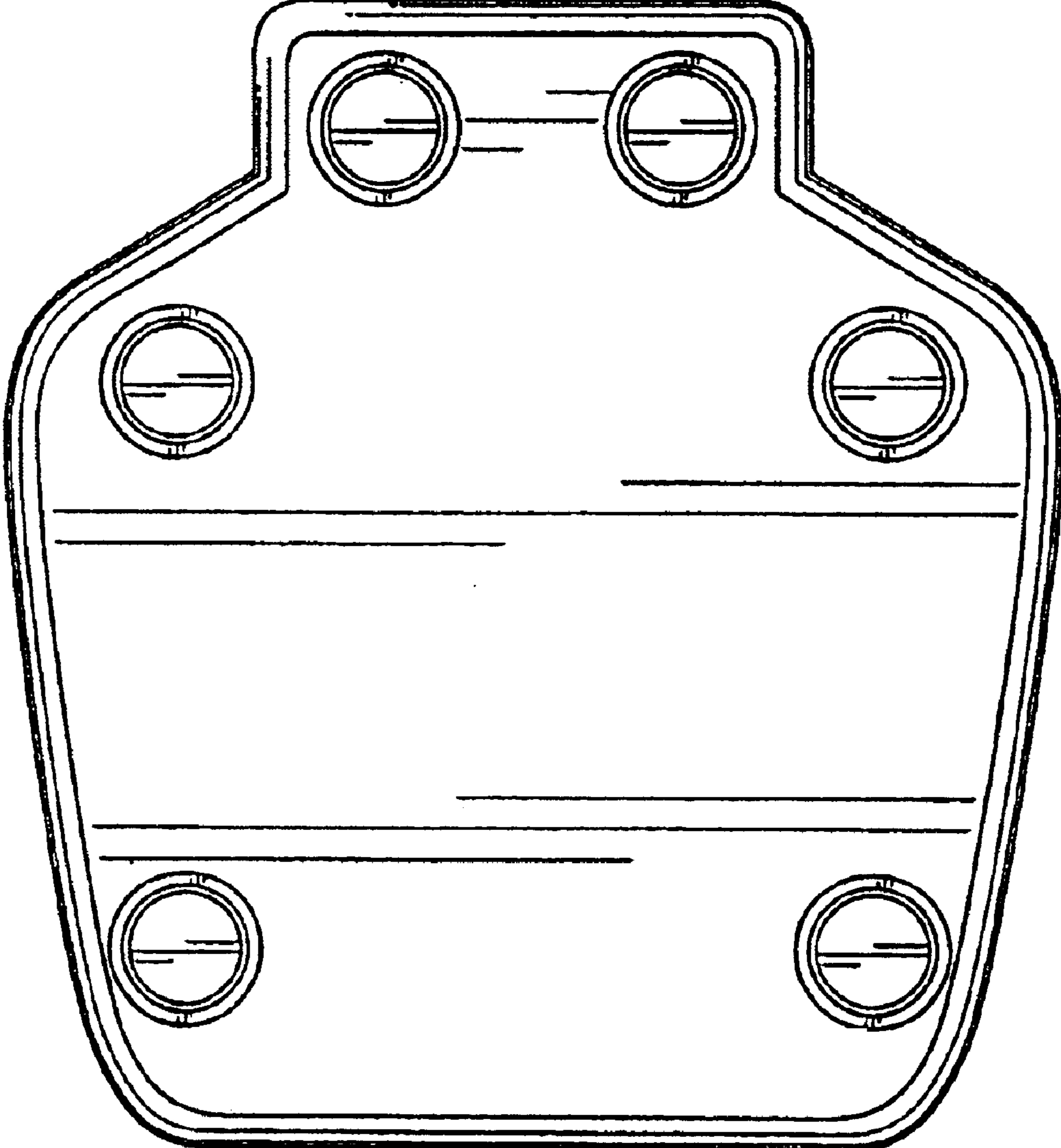


FIG. 7

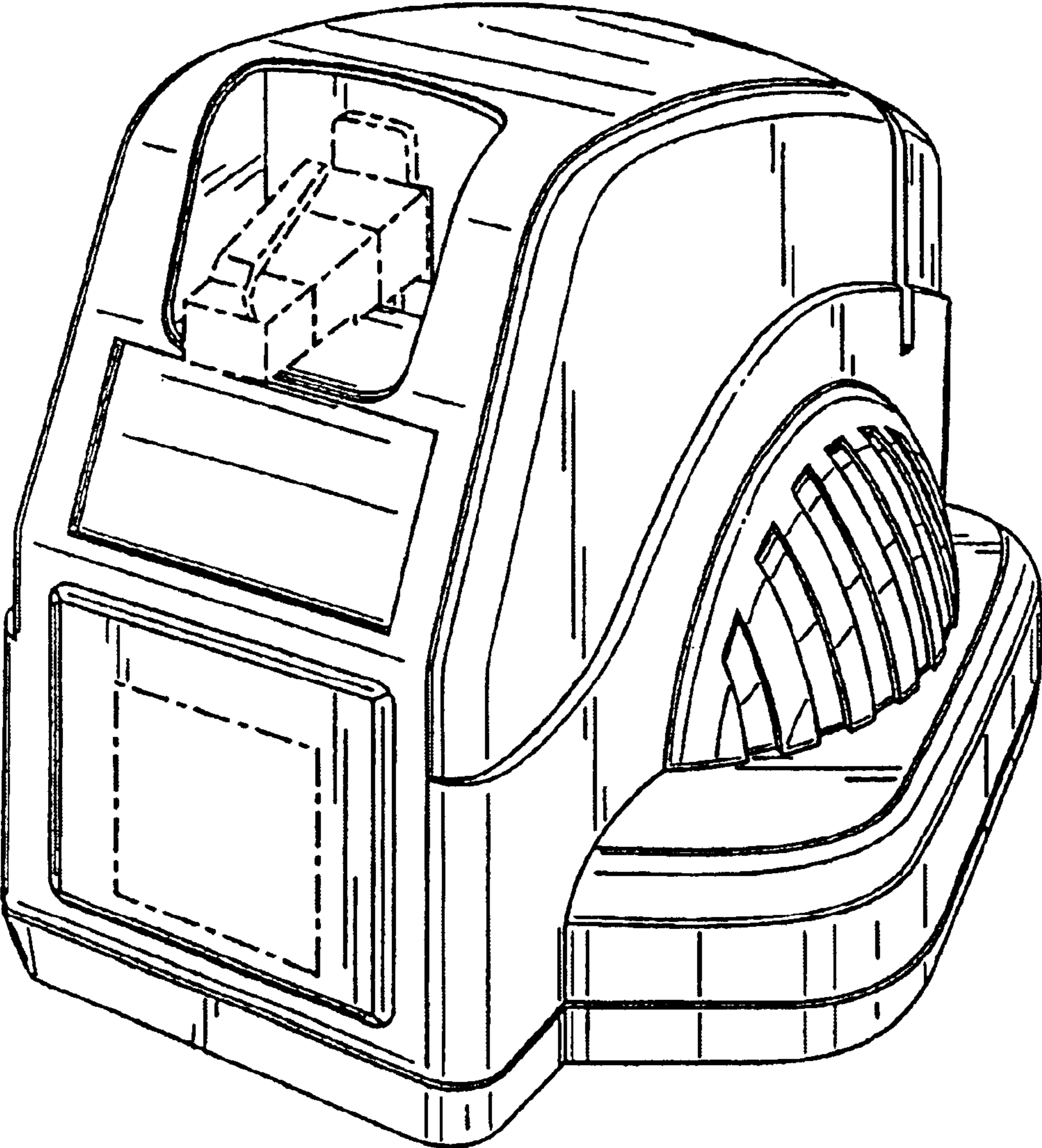


FIG. 8

UNITED STATES PATENT AND TRADEMARK OFFICE
CERTIFICATE OF CORRECTION

PATENT NO. : Des. 512,712 S
DATED : December 13, 2005
INVENTOR(S) : Brown et al.

Page 1 of 1

It is certified that error appears in the above-identified patent and that said Letters Patent is hereby corrected as shown below:

Title page,

Item [54], Title, change "DESKSPOOL", to read -- **POWERSPOOL** --.

Signed and Sealed this

Thirty-first Day of January, 2006

A handwritten signature in black ink on a dotted background. The signature reads "Jon W. Dudas" in a cursive style.

JON W. DUDAS

Director of the United States Patent and Trademark Office