



US00D512709S

(12) **United States Design Patent** (10) **Patent No.:** **US D512,709 S**
Hemer (45) **Date of Patent:** **** Dec. 13, 2005**

(54) **HEADSET WITH MODULAR FITTINGS FOR SPEAKING AND LISTENING**

(75) Inventor: **Berthold Hemer**, Schaaheim (DE)

(73) Assignee: **Ceotronics Aktiengesellschaft**,
Roedermark-Urberach (DE)

(**) Term: **14 Years**

(21) Appl. No.: **29/191,656**

(22) Filed: **Oct. 10, 2003**

(30) **Foreign Application Priority Data**

Apr. 11, 2003 (DE) 4 03 02 939

(51) **LOC (6) Cl.** **14-01**

(52) **U.S. Cl.** **D14/206**

(58) **Field of Search** D14/142, 188,
D14/192, 205, 206, 217-218, 225-229,
223; 181/129, 130; 379/430, 433; 381/381;
D24/174

(56) **References Cited**

U.S. PATENT DOCUMENTS

4,571,746 A	*	2/1986	Gorike	2/209
D287,765 S	*	1/1987	Topholm	D24/174
D394,062 S	*	5/1998	Chun	D14/192
D444,140 S	*	6/2001	Ishibashi	D14/192
D465,477 S	*	11/2002	Beraut et al.	D14/218
D468,722 S	*	1/2003	Schmidt et al.	D14/205
D468,723 S	*	1/2003	Pham et al.	D14/205
D472,889 S	*	4/2003	Tanaka et al.	D14/206
D481,709 S	*	11/2003	Solderits	D14/228

* cited by examiner

Primary Examiner—Paula A. Greene

(74) *Attorney, Agent, or Firm*—Koda & Androlia

(57) **CLAIM**

The ornamental design for a headset with modular fittings for speaking and listening, as shown and described.

DESCRIPTION

FIG. 1 is a rear view of a headset with modular fittings for speaking and listening showing my new design;

FIG. 2 is a front view thereof;
 FIG. 3 is a left side view thereof;
 FIG. 4 is a perspective view thereof;
 FIG. 5 is a top view thereof;
 FIG. 6 is a right side view thereof;
 FIG. 7 is a bottom view thereof;
 FIG. 8 is a left side view of a modular earpiece of the headset with modular fittings for speaking and listening of FIG. 1 shown separately for purposes of illustration;
 FIG. 9 is a perspective view thereof;
 FIG. 10 is a top view thereof;
 FIG. 11 is a right side view thereof;
 FIG. 12 is a front view thereof;
 FIG. 13 is a bottom view thereof;
 FIG. 14 is a left side view of the modular earpiece of the headset with modular fittings for speaking and listening of FIG. 1 shown separately for purposes of illustration;
 FIG. 15 is a perspective view thereof;
 FIG. 16 is a top view thereof;
 FIG. 17 is a rear view thereof;
 FIG. 18 is a bottom view thereof;
 FIG. 19 is a front view thereof;
 FIG. 20 is a right side view thereof;
 FIG. 21 is a front view of the modular earpiece for the headset with modular fittings for speaking and listening of FIG. 1 shown separately for purposes of illustration;
 FIG. 22 is a right side view thereof;
 FIG. 23 is a rear view thereof;
 FIG. 24 is a left side view thereof;
 FIG. 25 is a bottom view thereof;
 FIG. 26 is a top view thereof;
 FIG. 27 is a front view of the modular push to talk button for the headset with modular fittings for speaking and listening of FIG. 1 shown separately for purposes of illustration;
 FIG. 28 is a perspective view thereof;
 FIG. 29 is a left side view thereof;
 FIG. 30 is a rear view thereof;
 FIG. 31 is a top view thereof;
 FIG. 32 is a bottom view thereof; and,
 FIG. 33 is a right side view thereof.

1 Claim, 10 Drawing Sheets

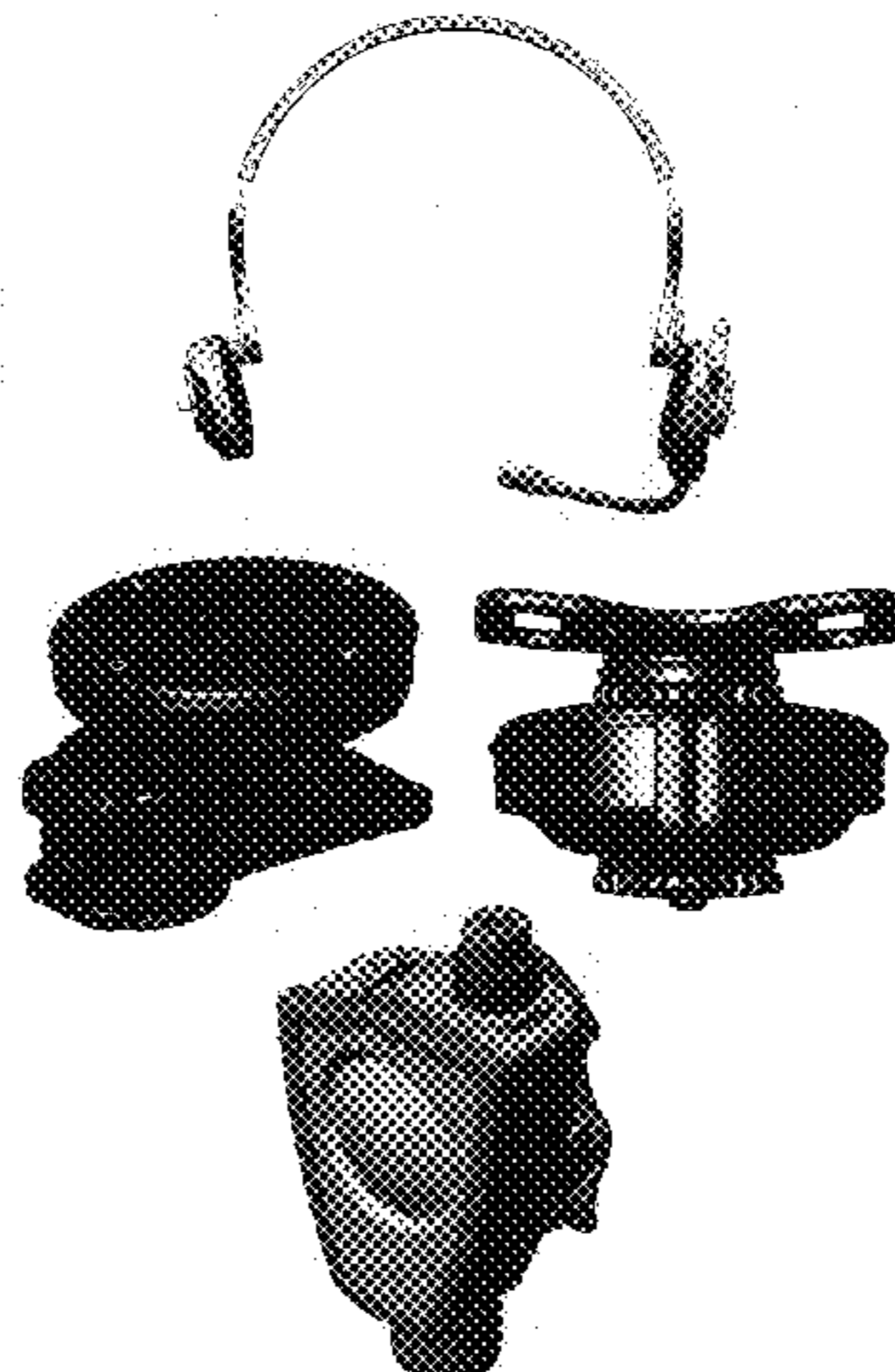




FIG. 1



FIG. 2

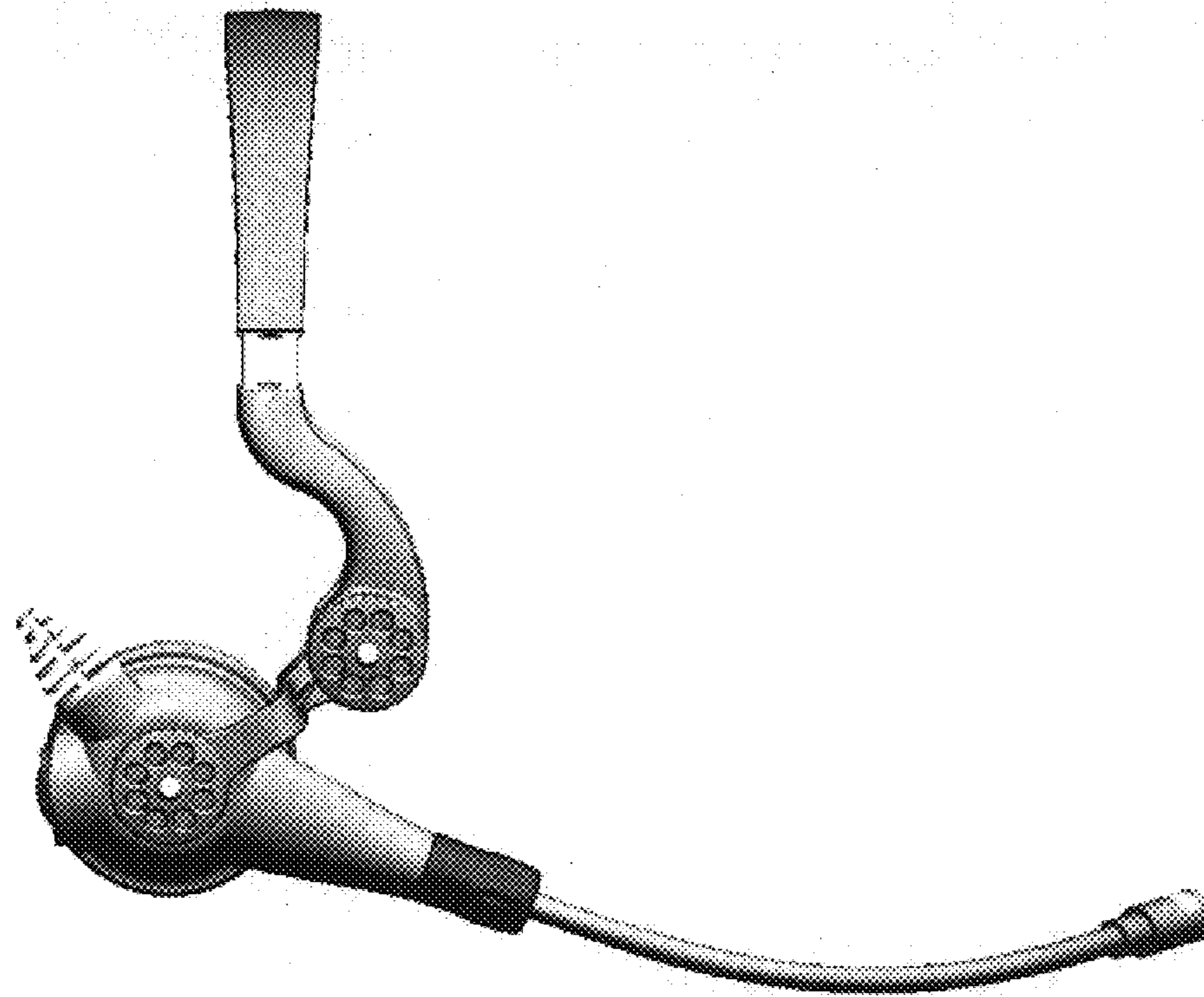


FIG. 3



FIG. 4

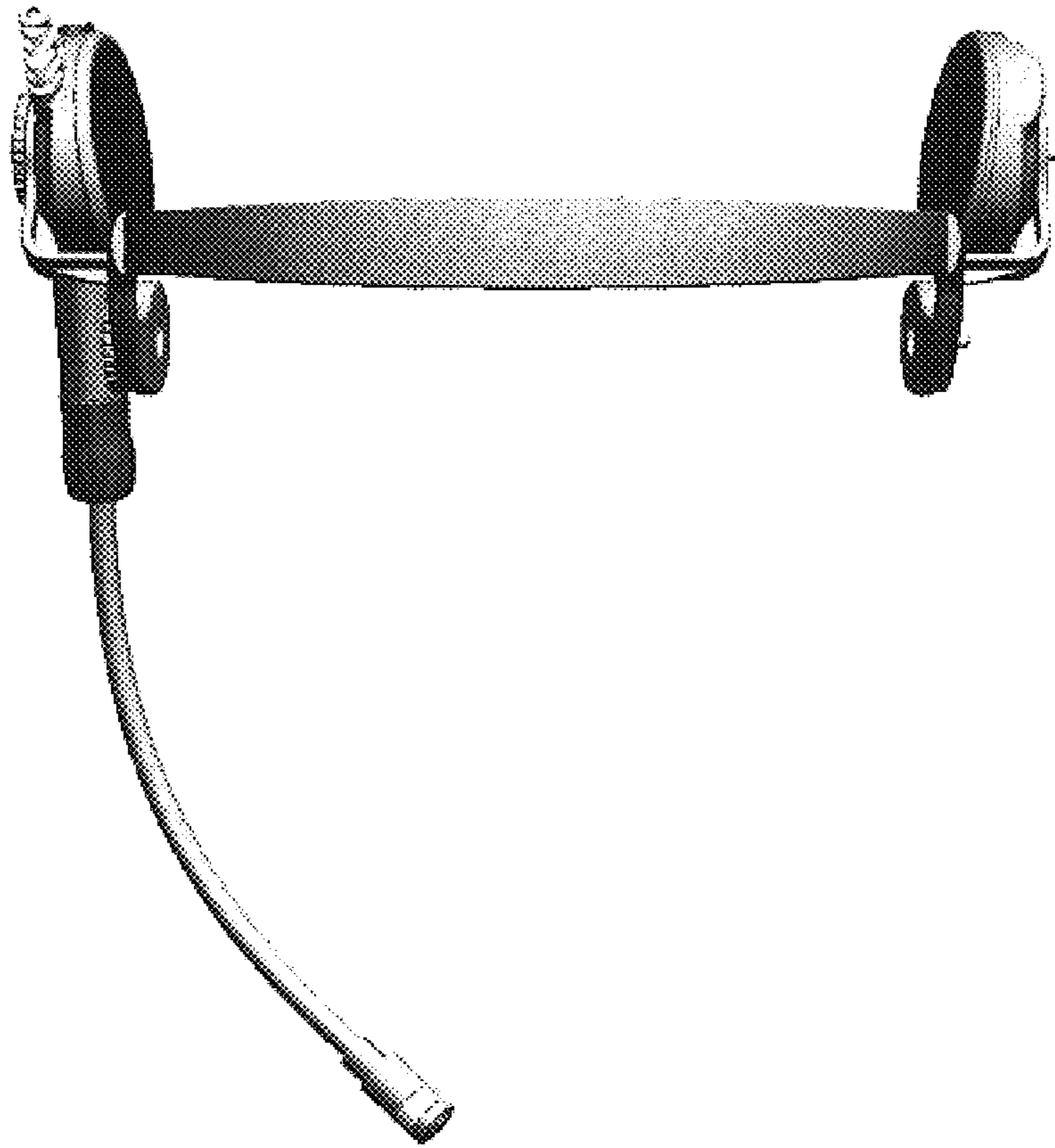


FIG. 5

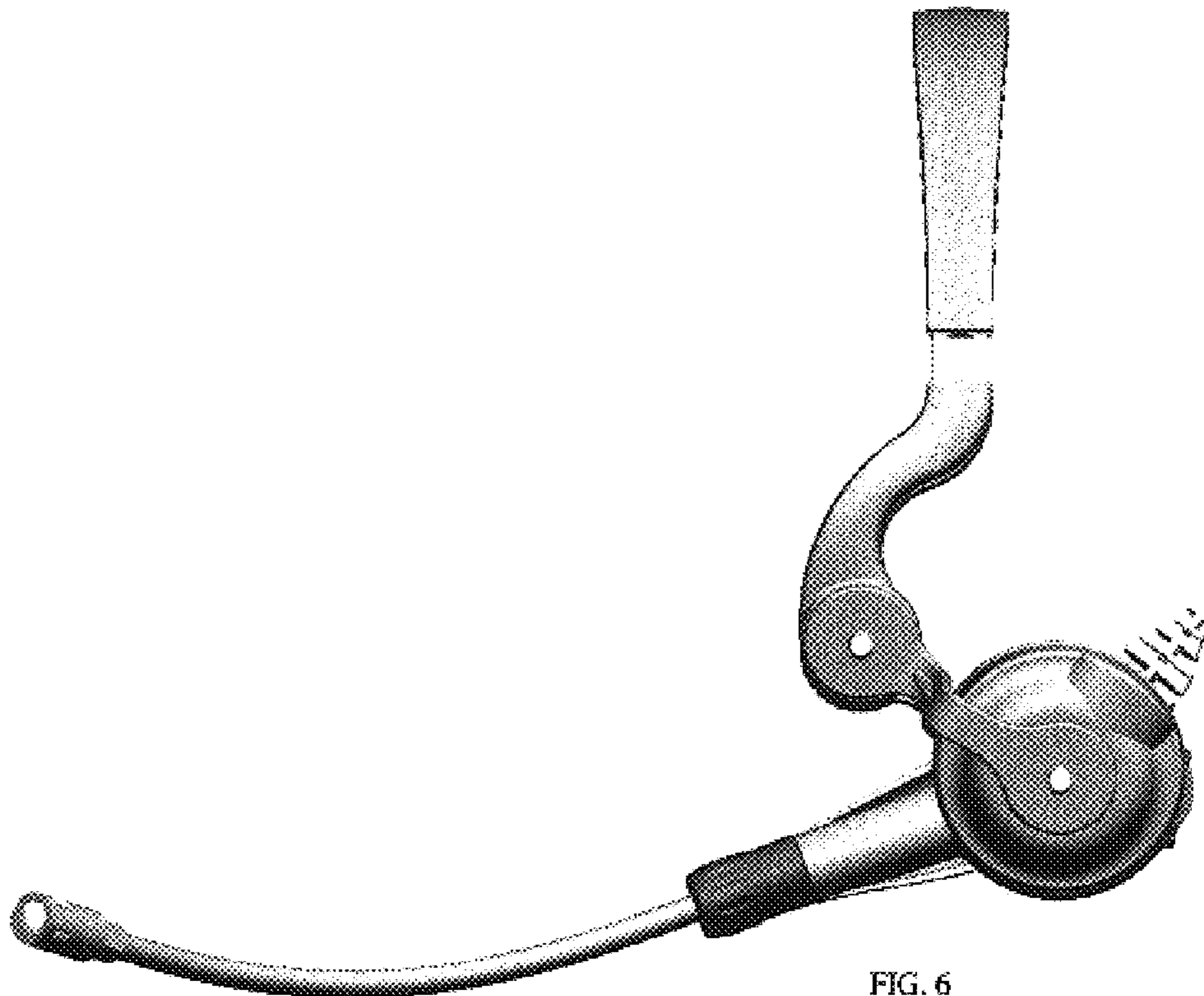


FIG. 6

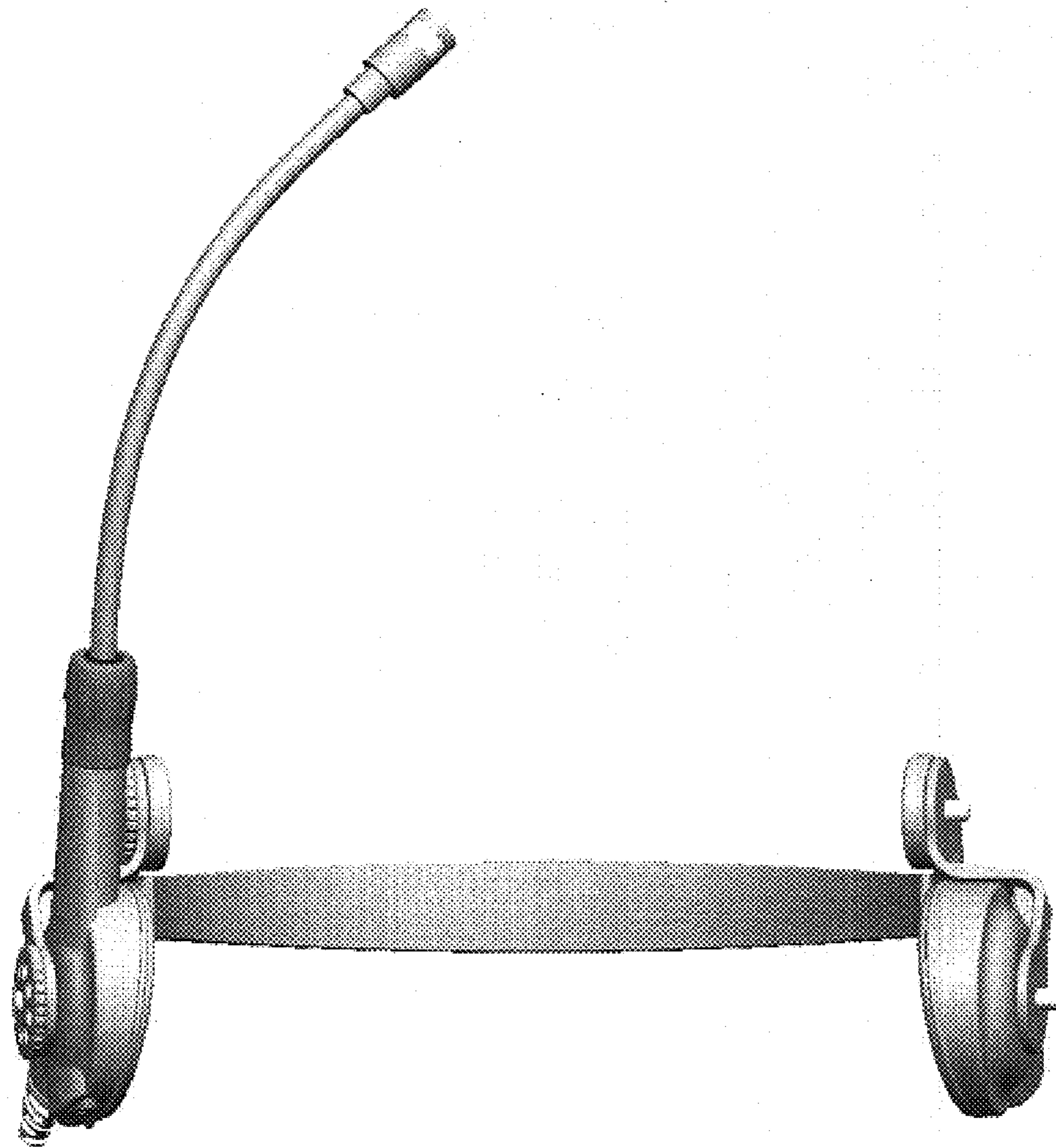


FIG. 7

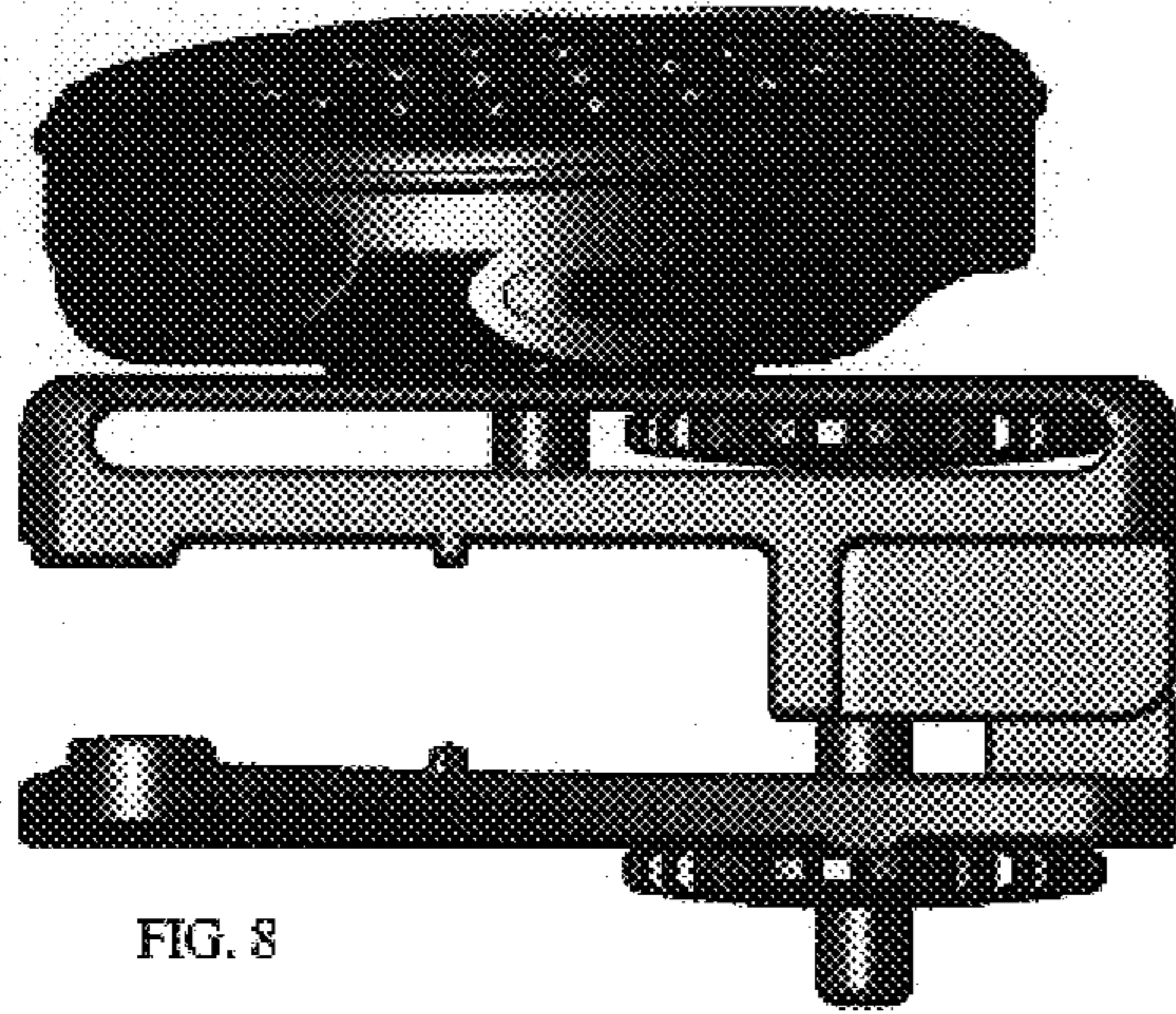


FIG. 8

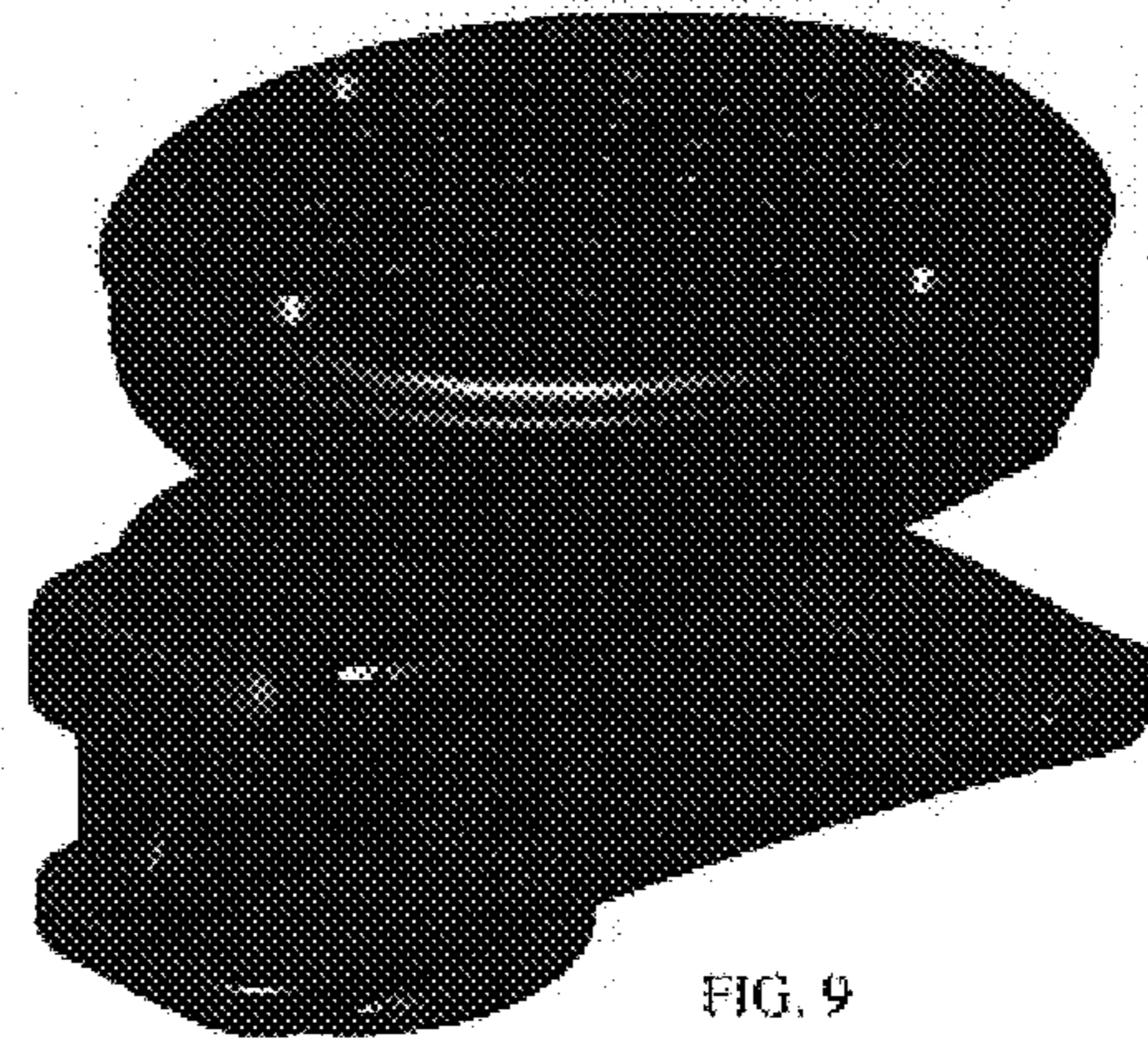


FIG. 9

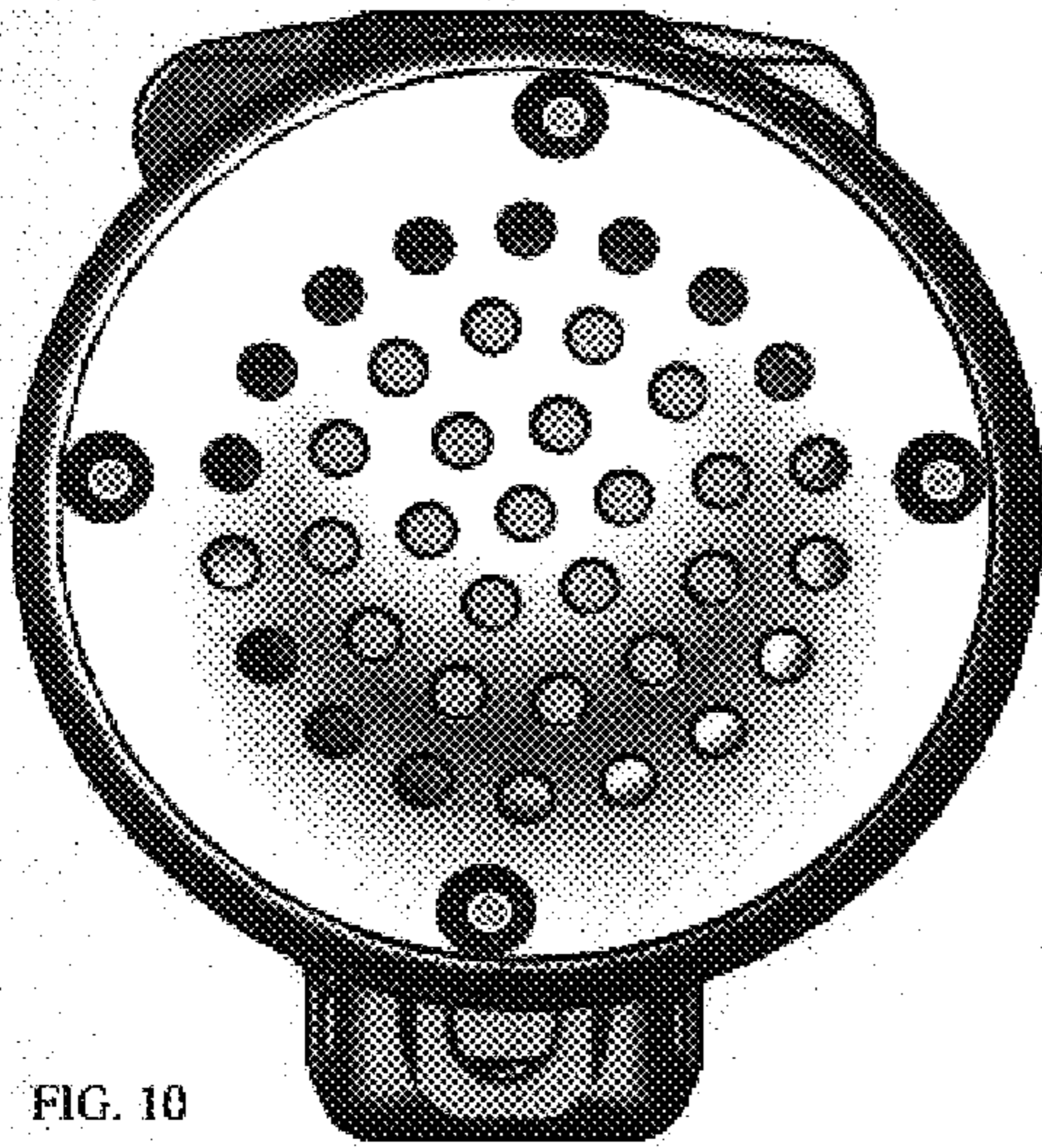


FIG. 10

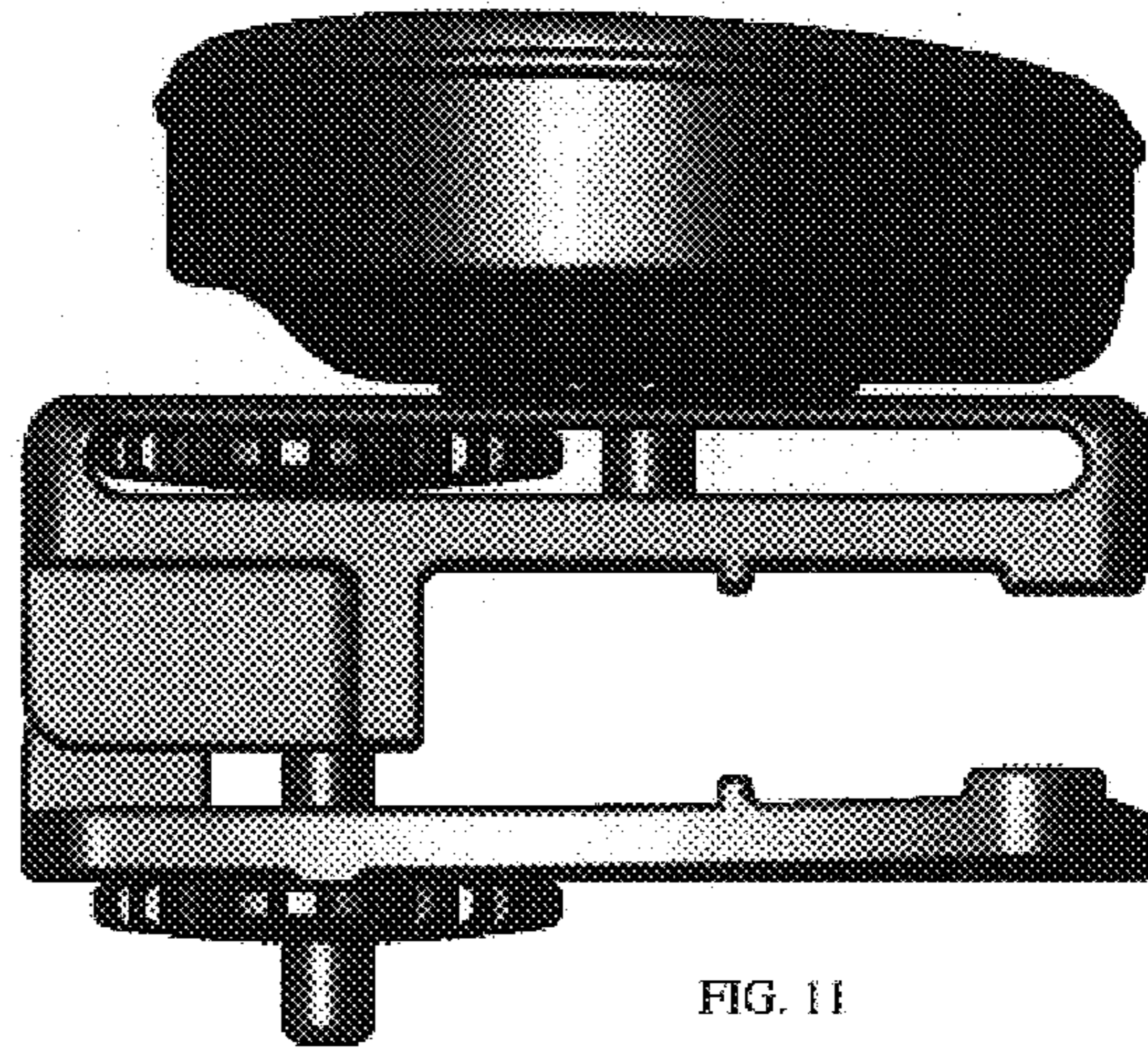


FIG. 11

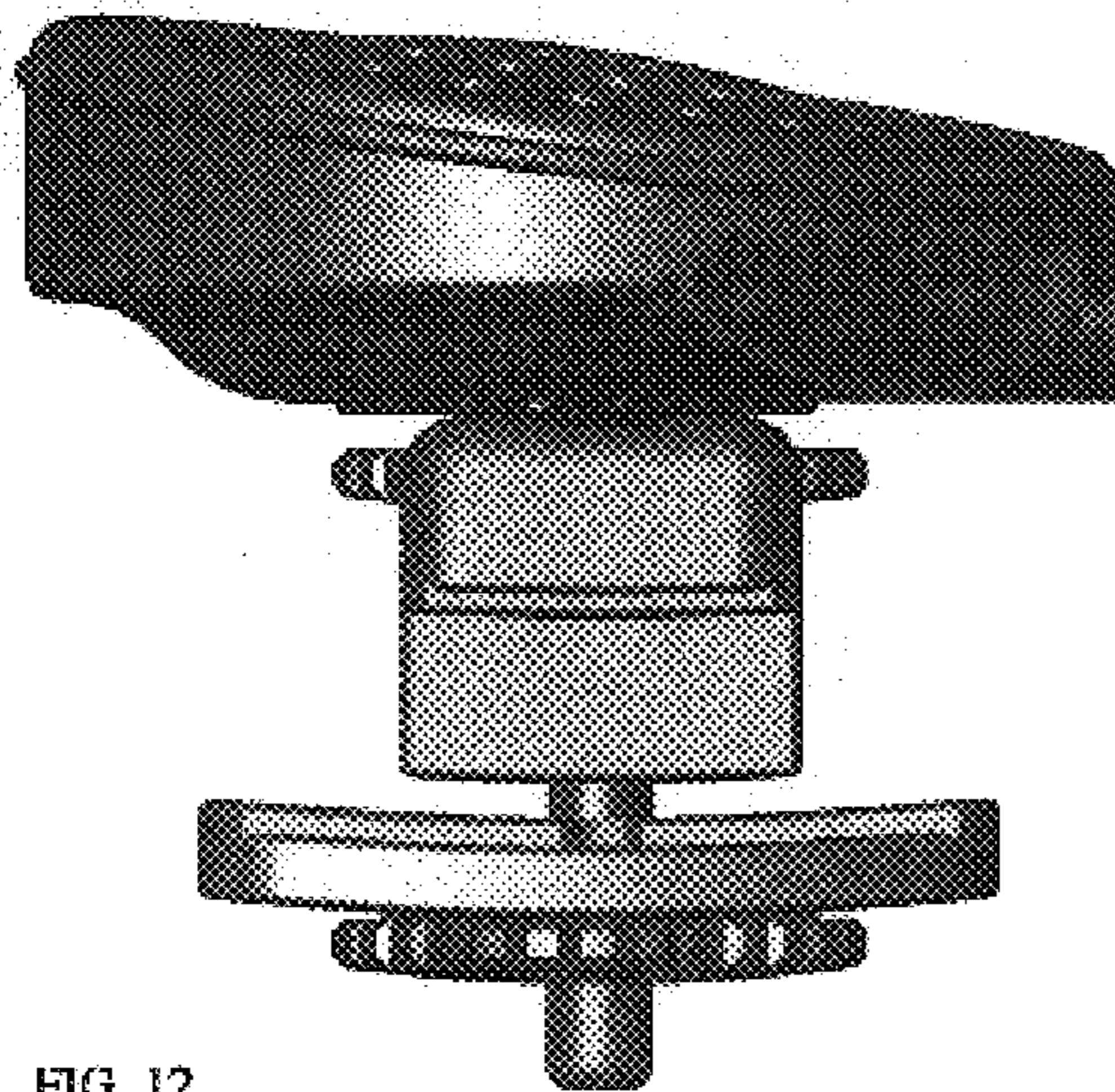


FIG. 12

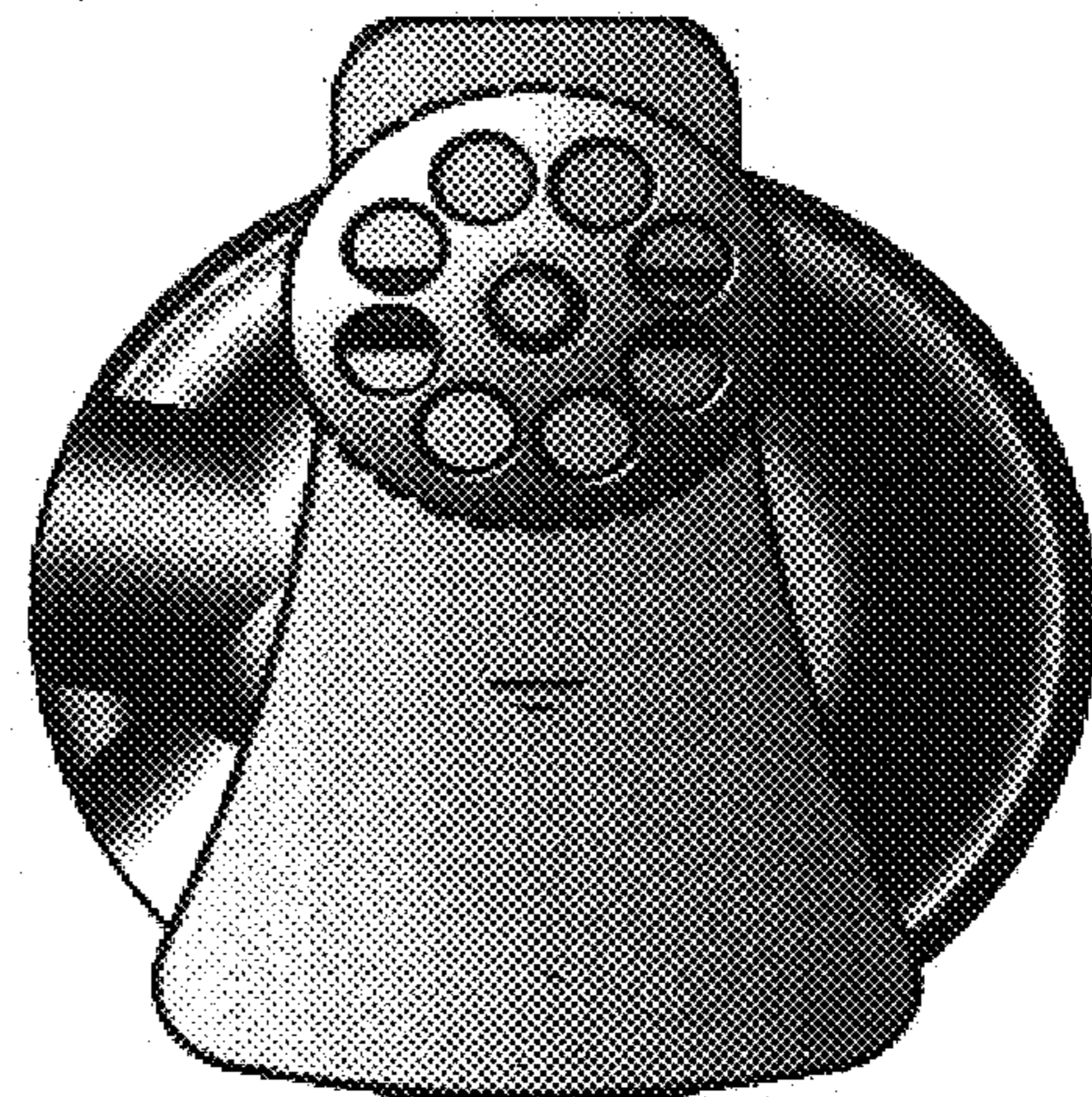


FIG. 13

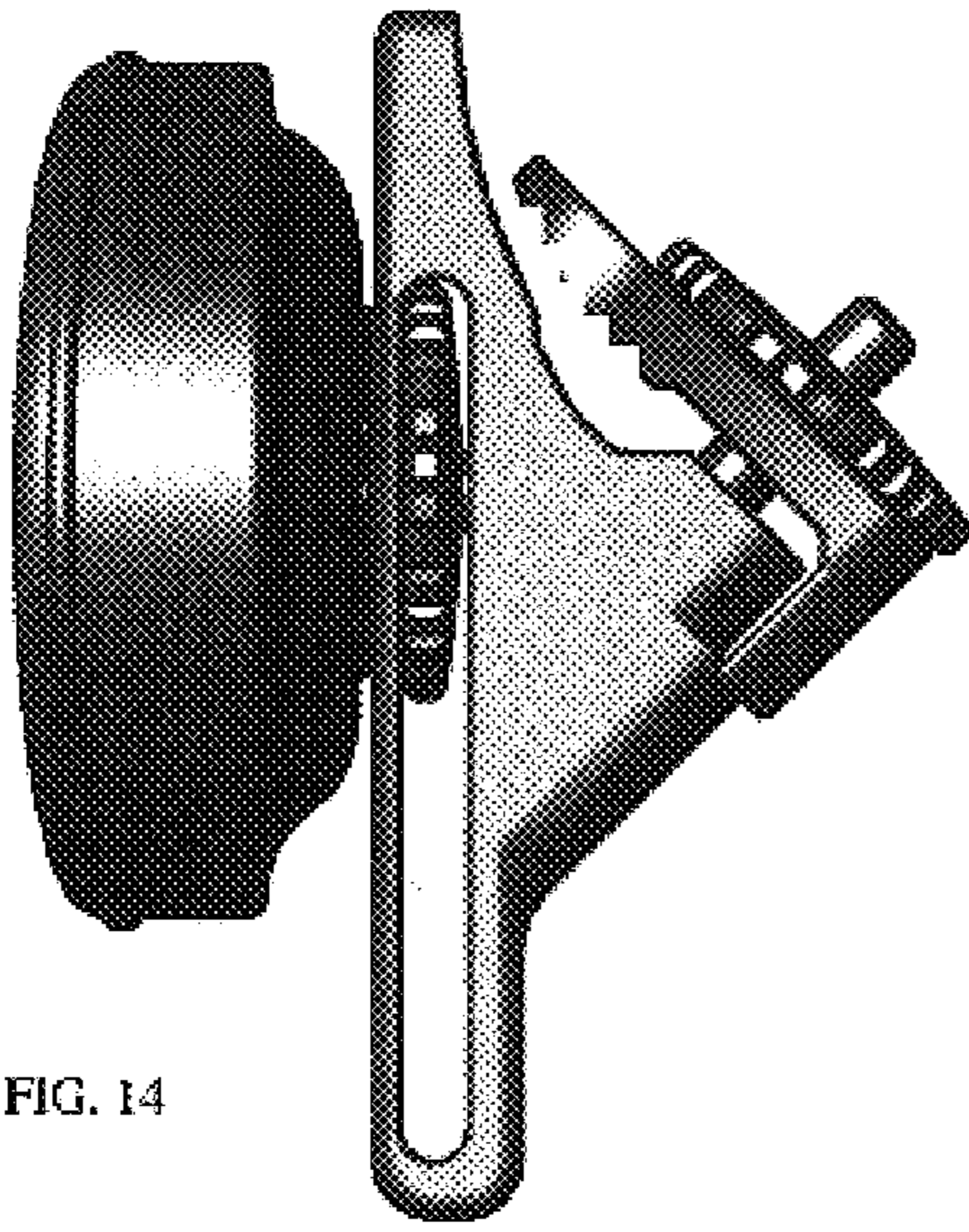


FIG. 14

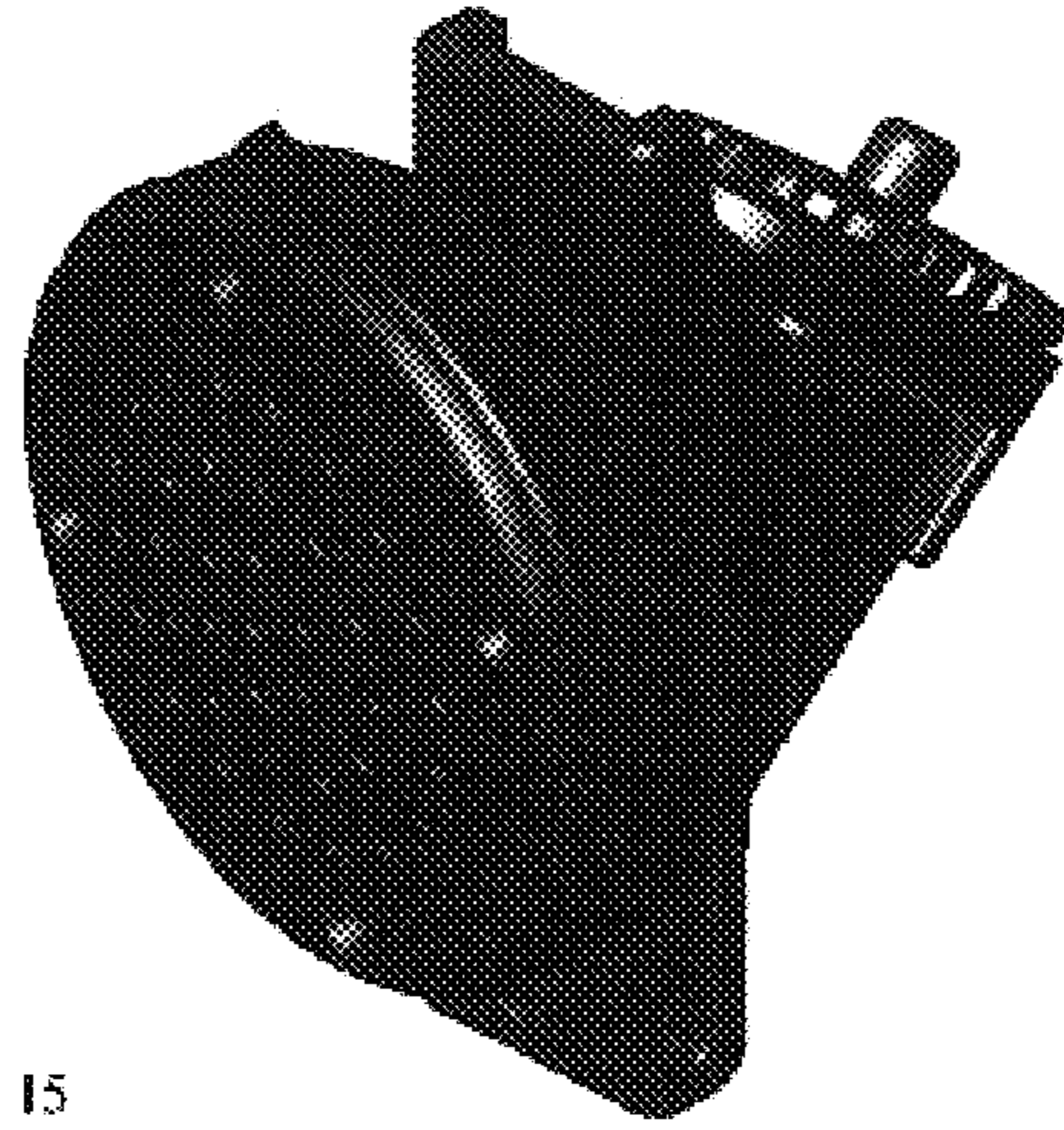


FIG. 15

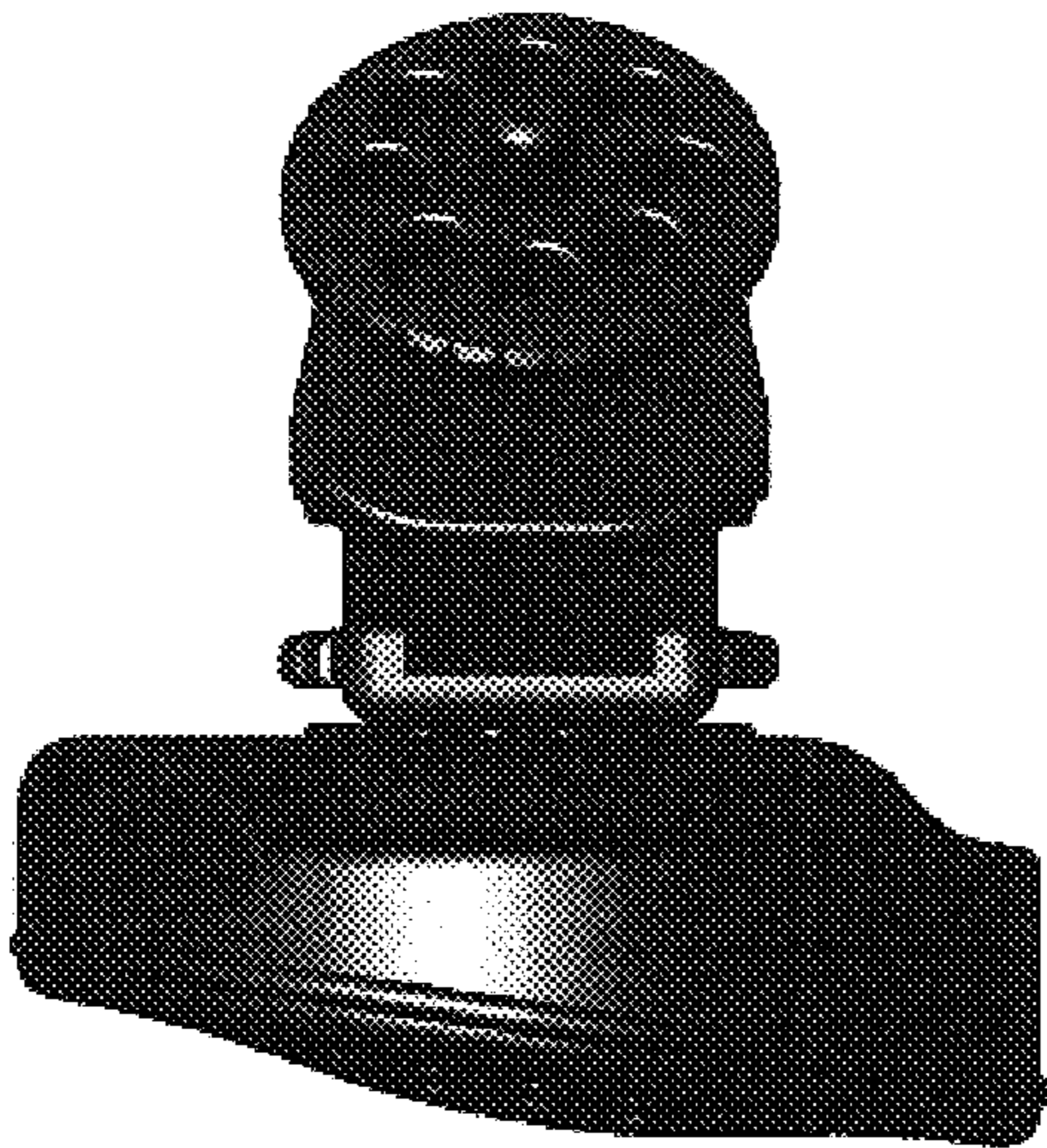


FIG. 16

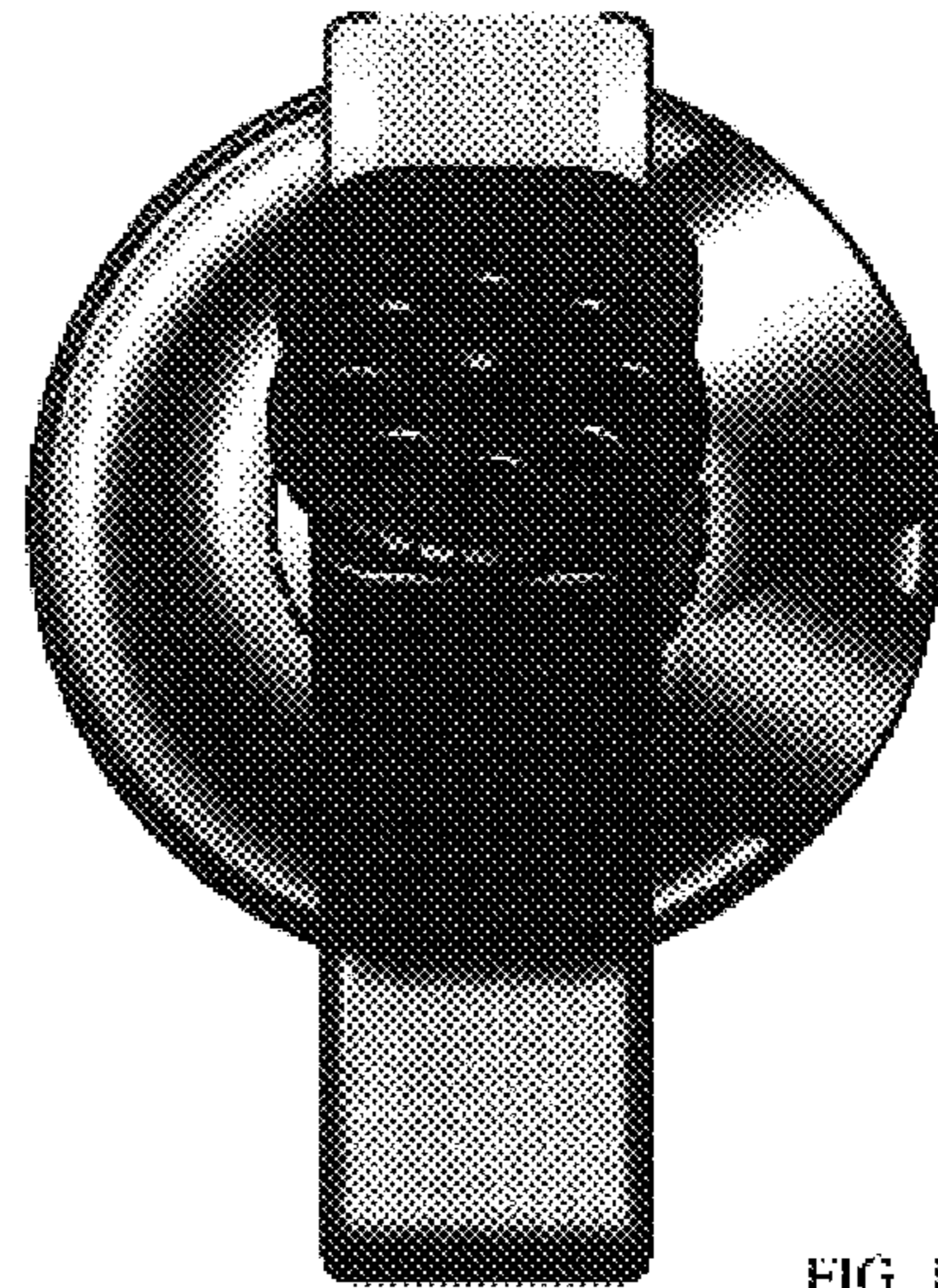


FIG. 17

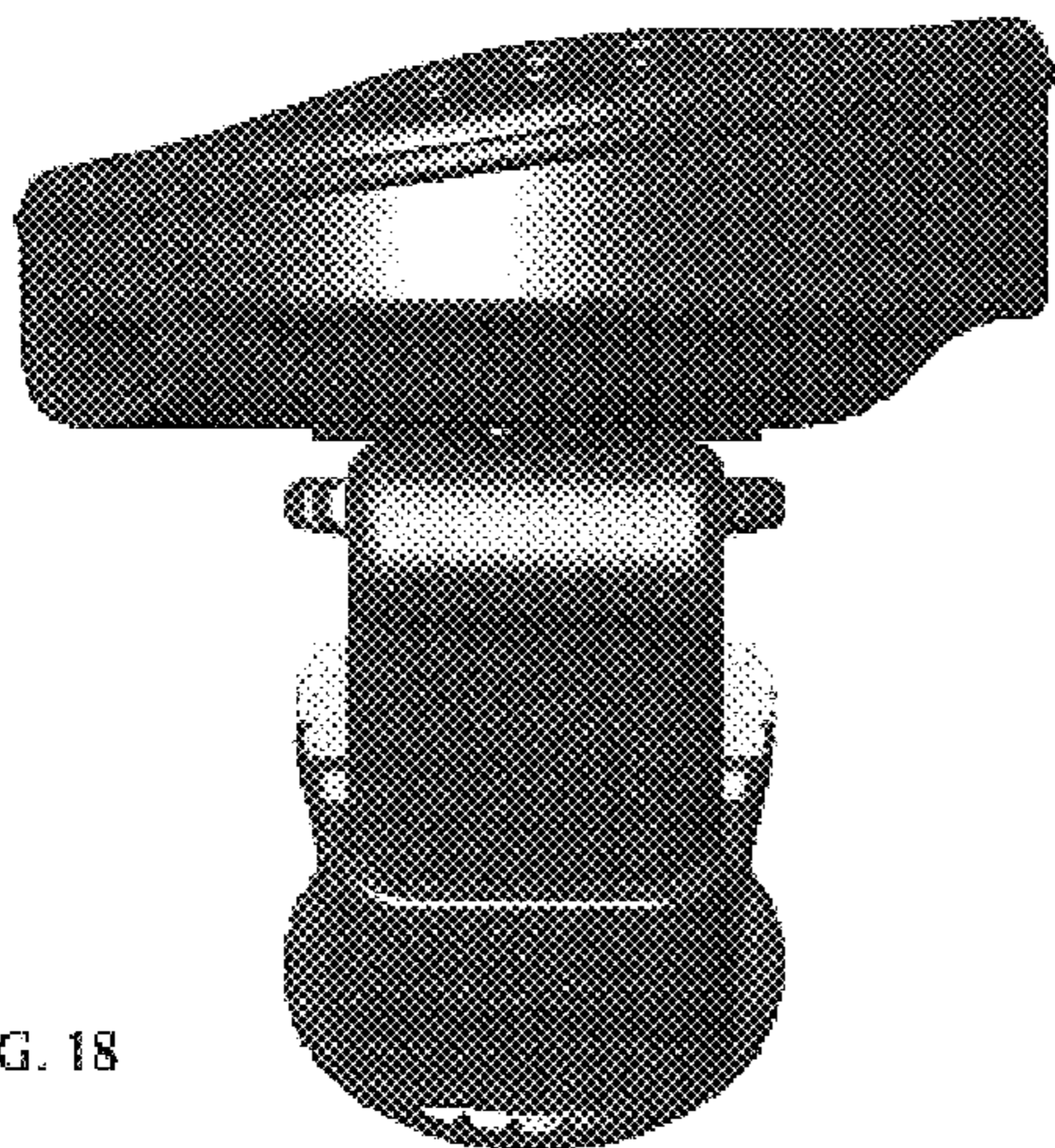


FIG. 18

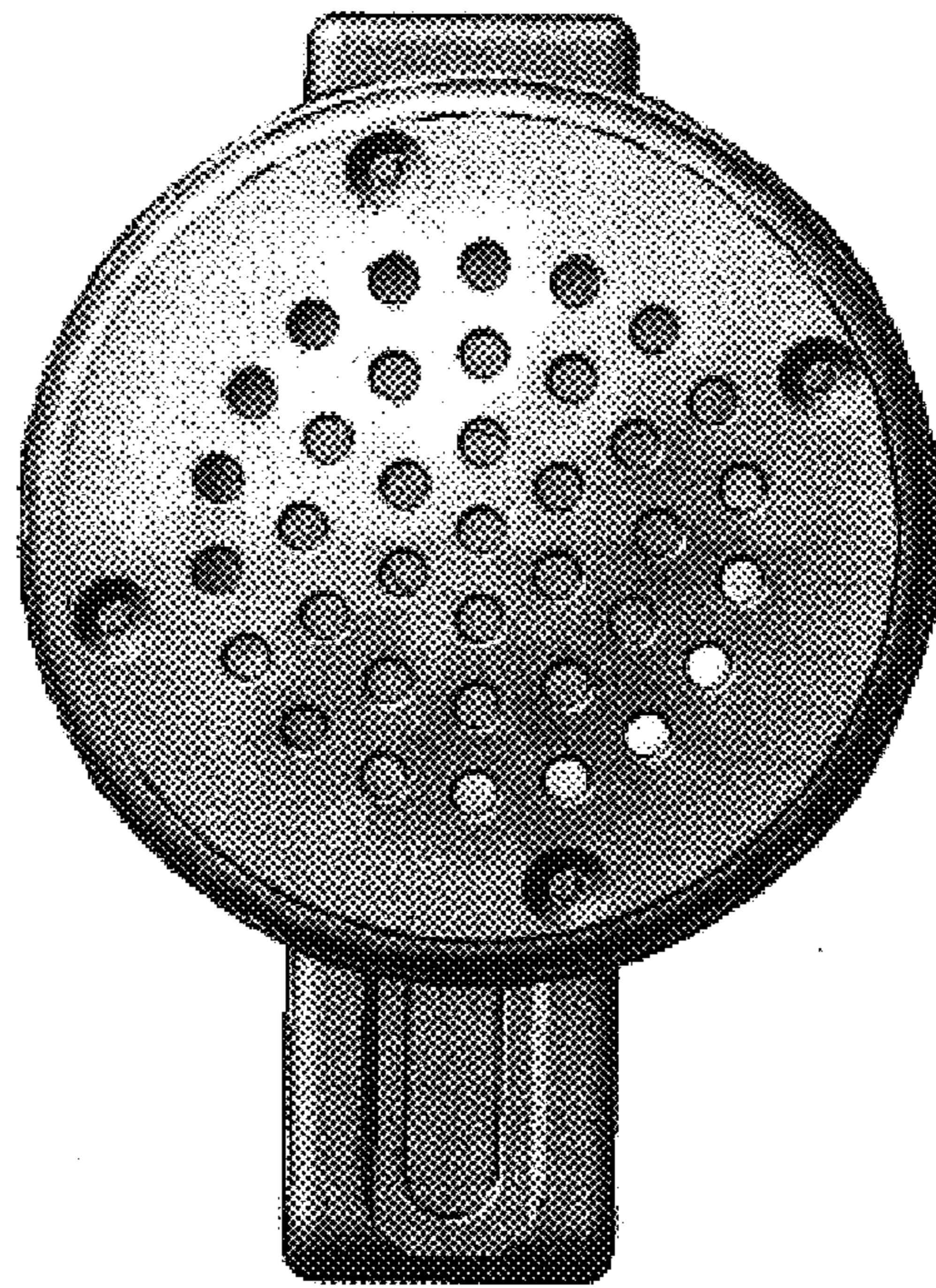


FIG. 19

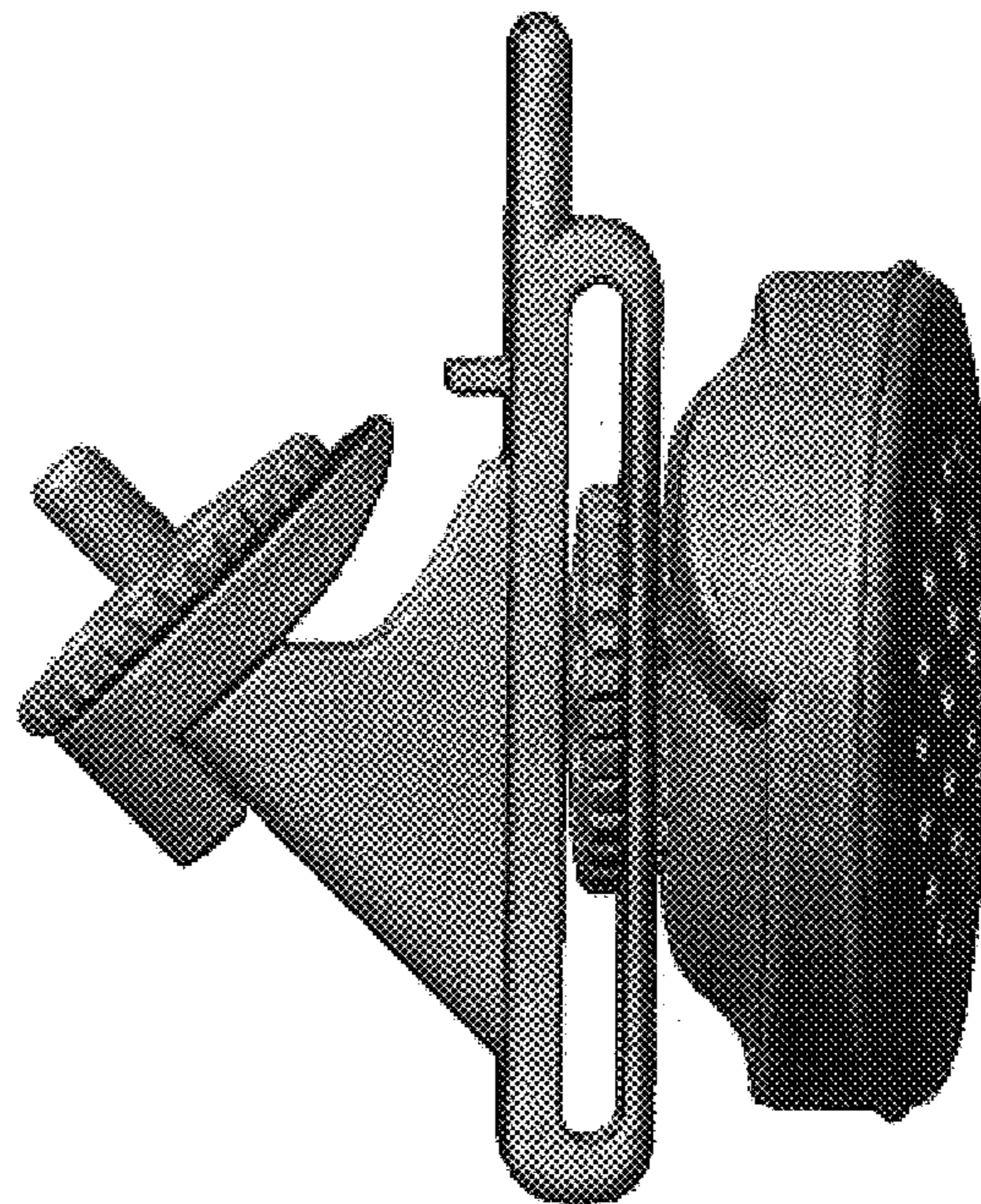


FIG. 20

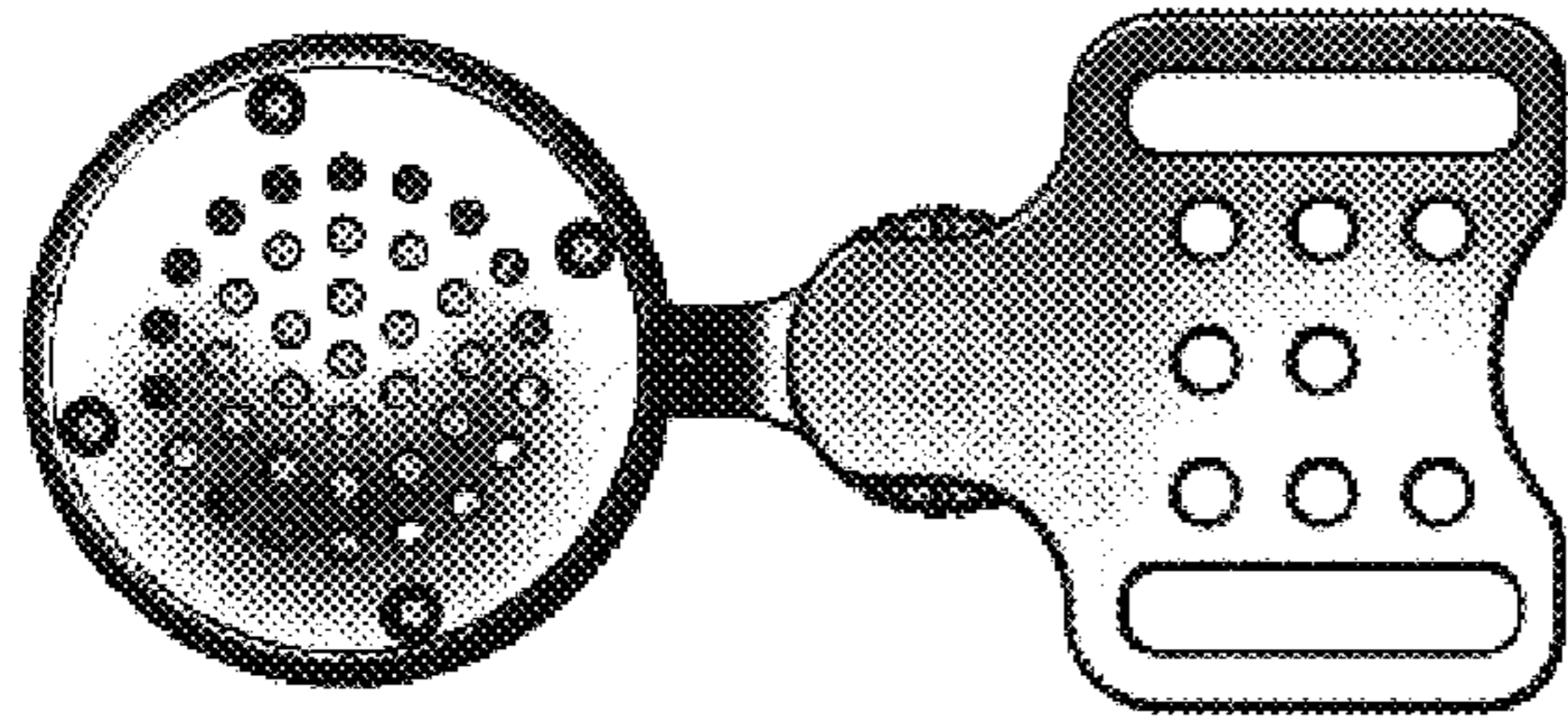


FIG. 21

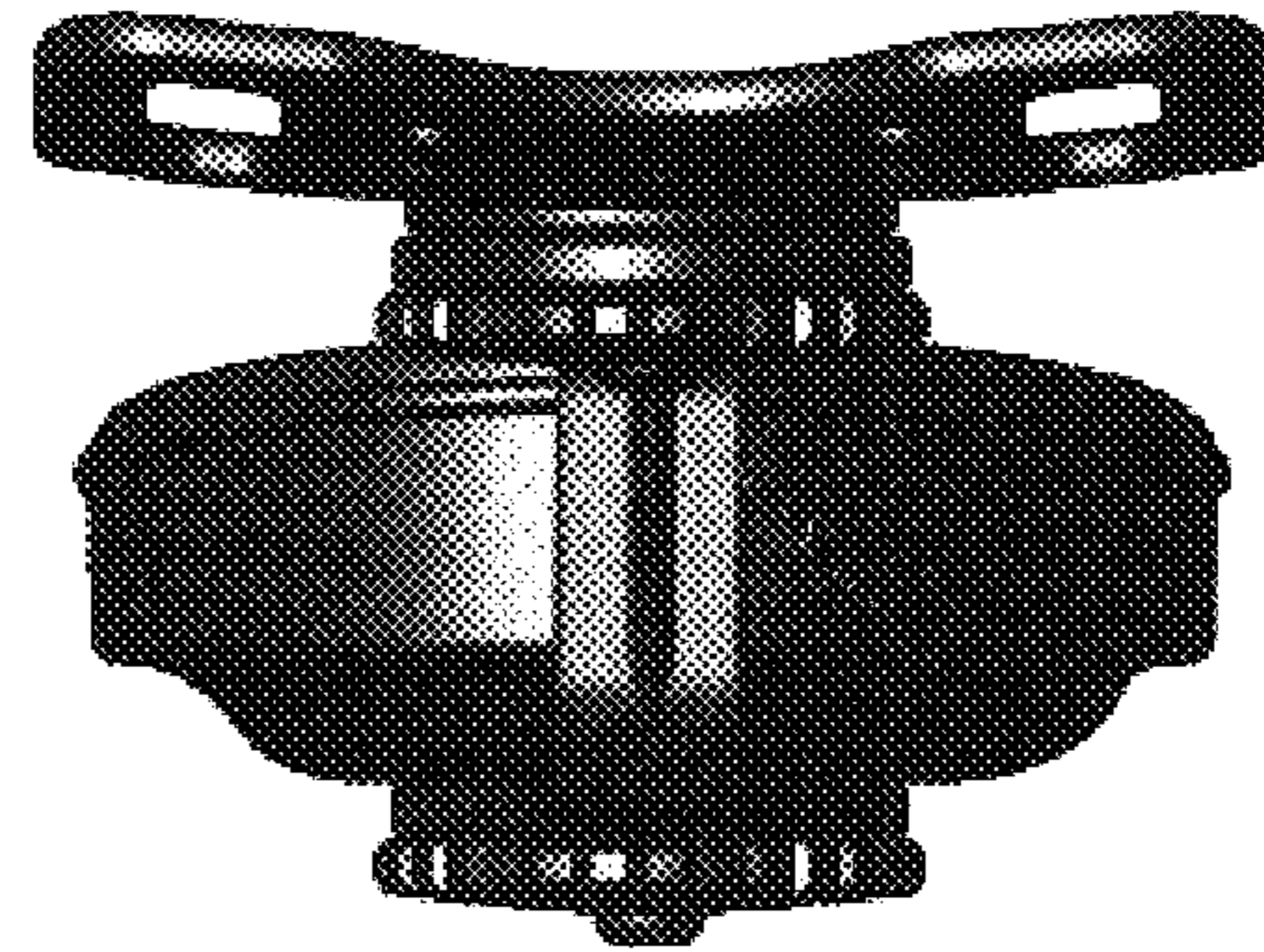


FIG. 22

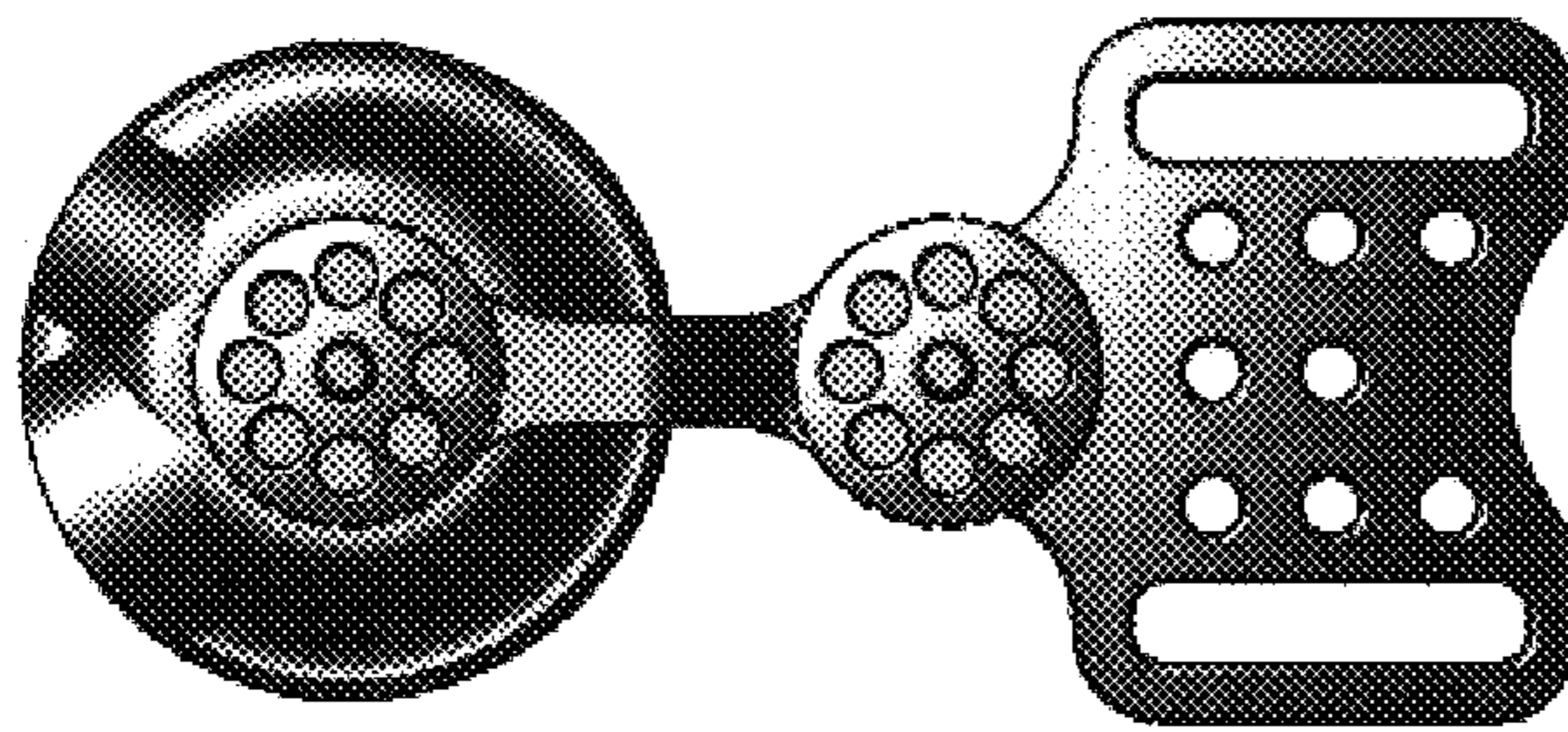


FIG. 23

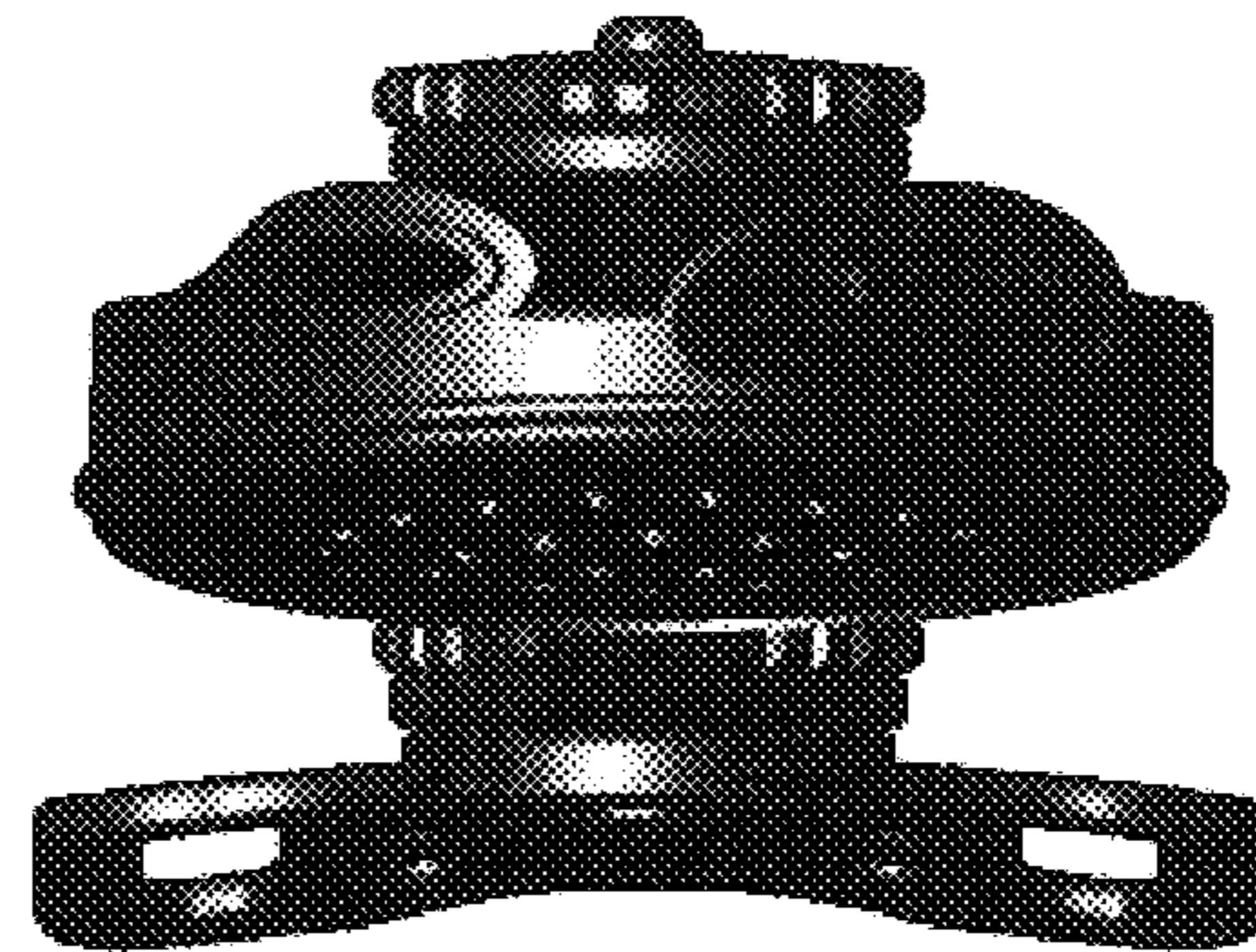


FIG. 24

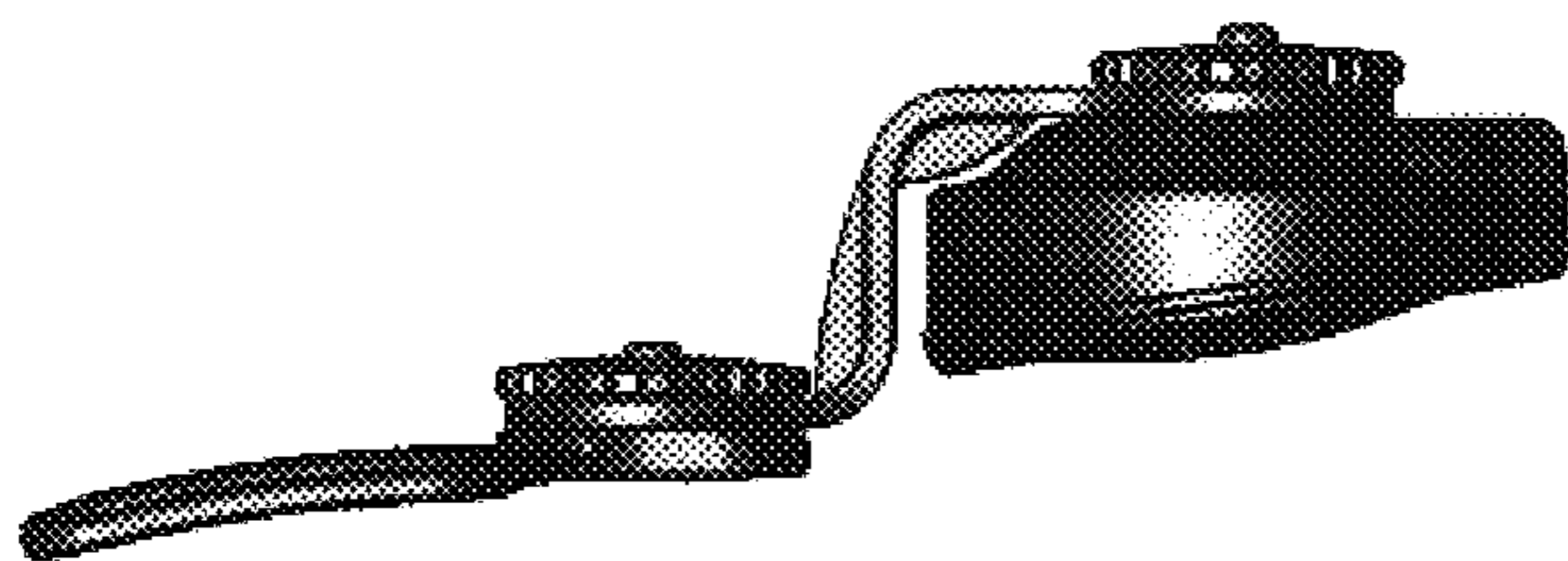


FIG. 25

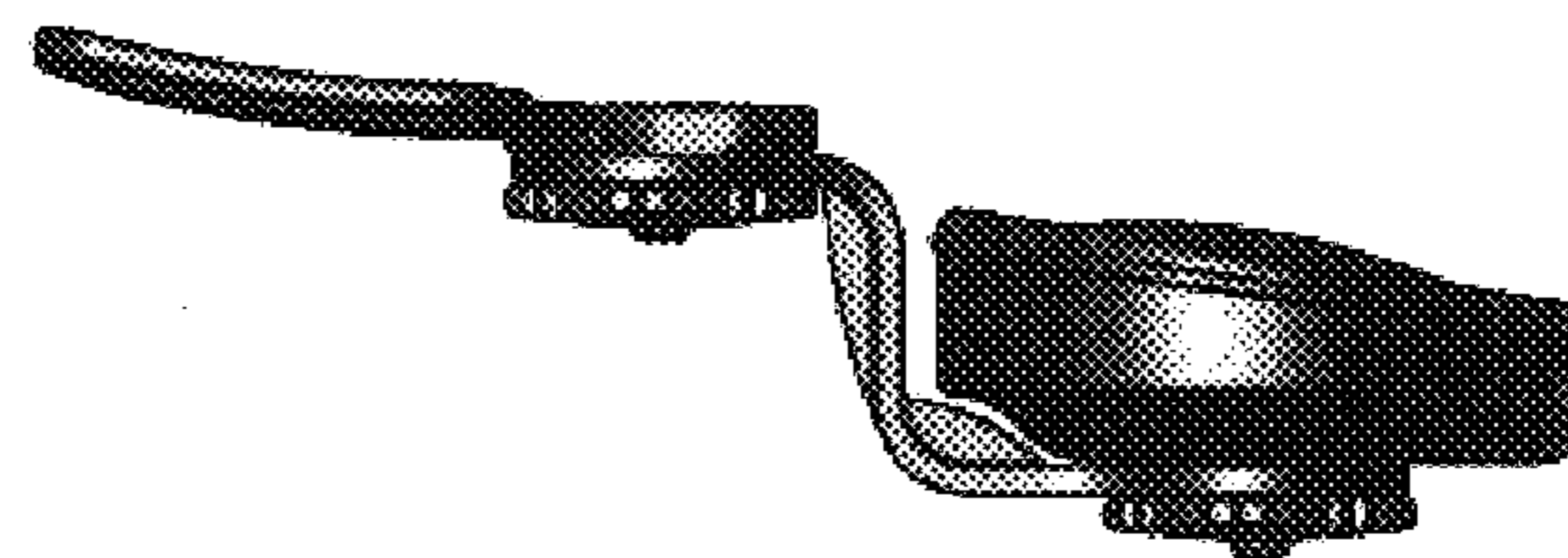


FIG. 26

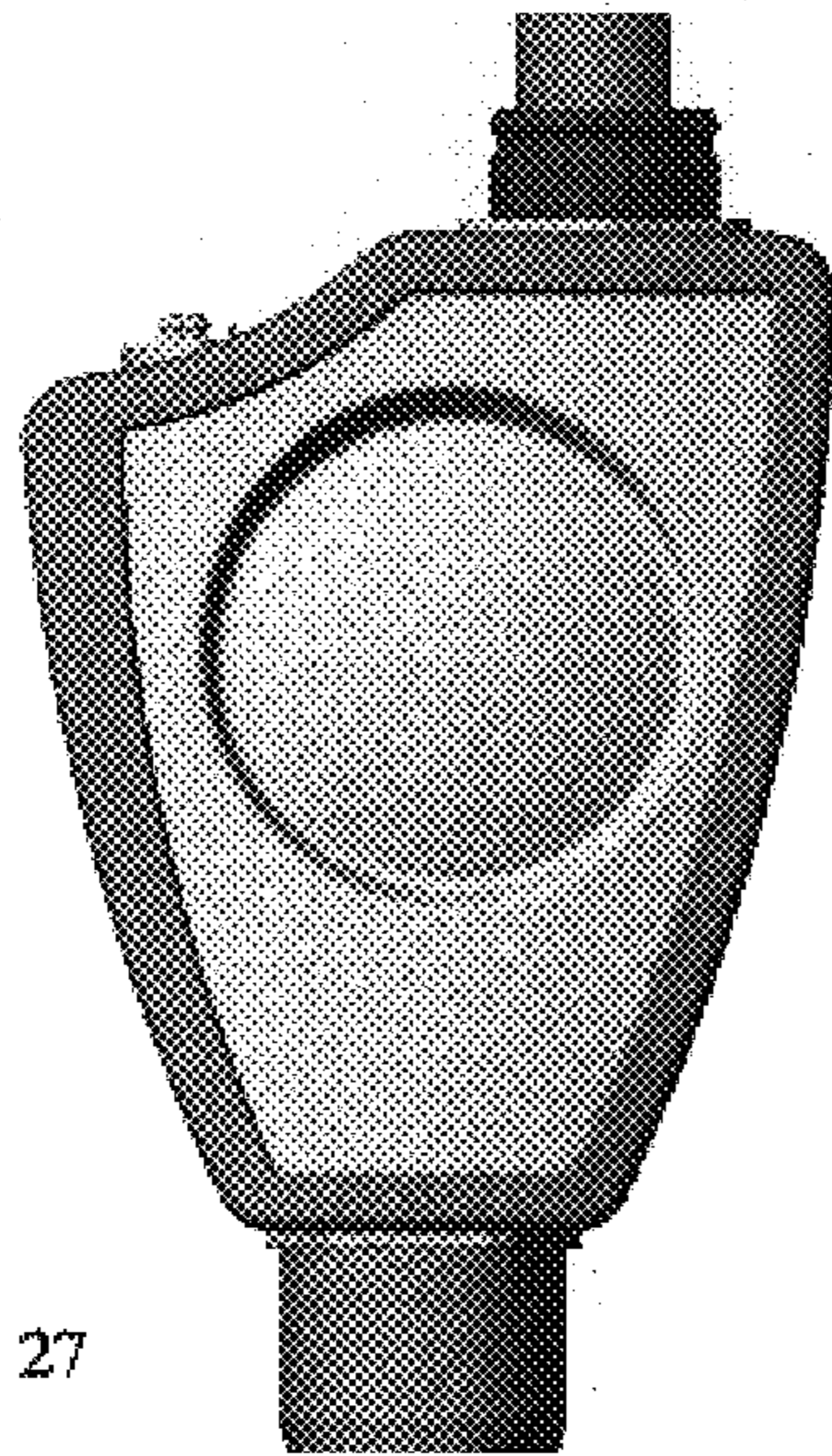


FIG. 27

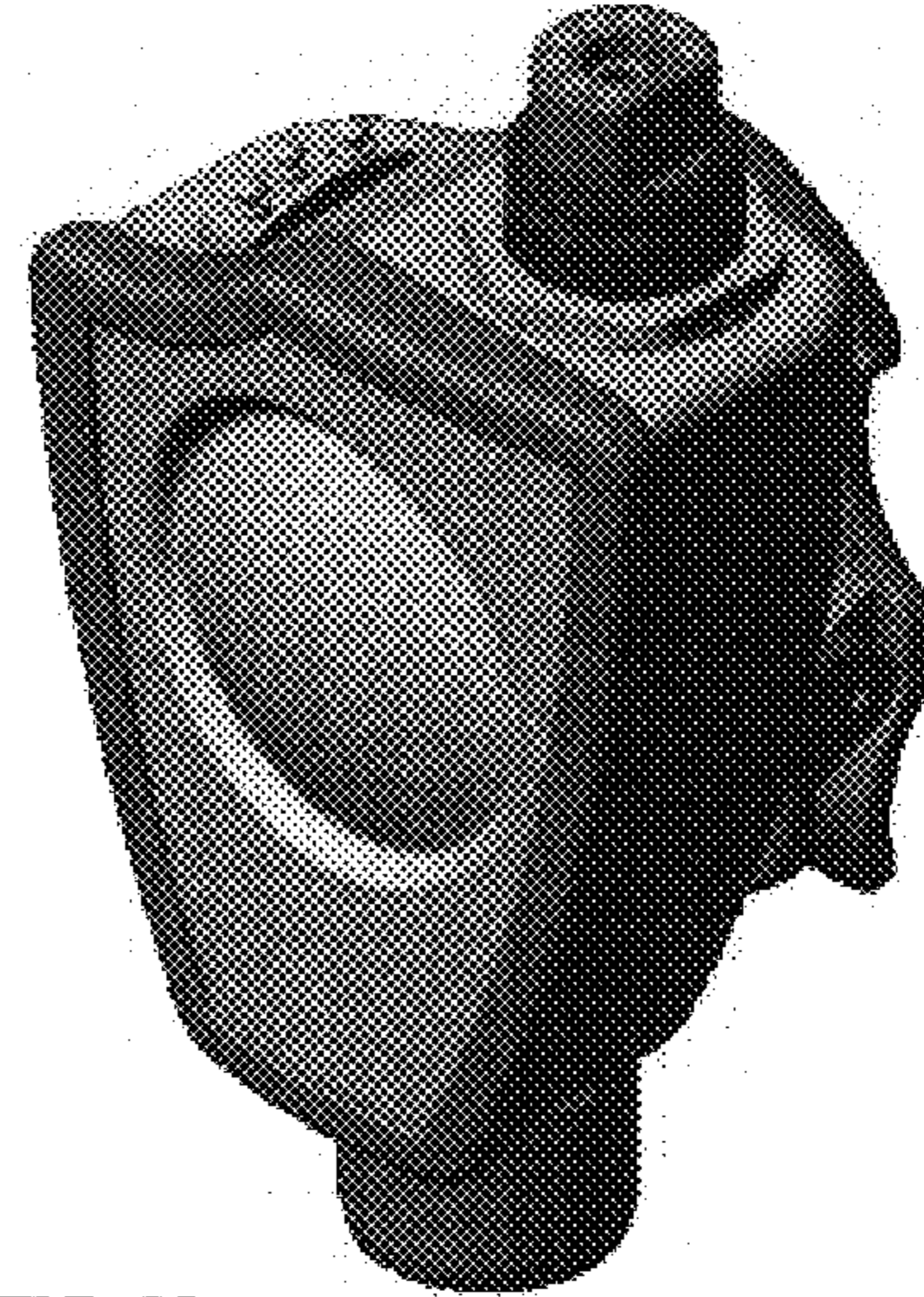


FIG. 28

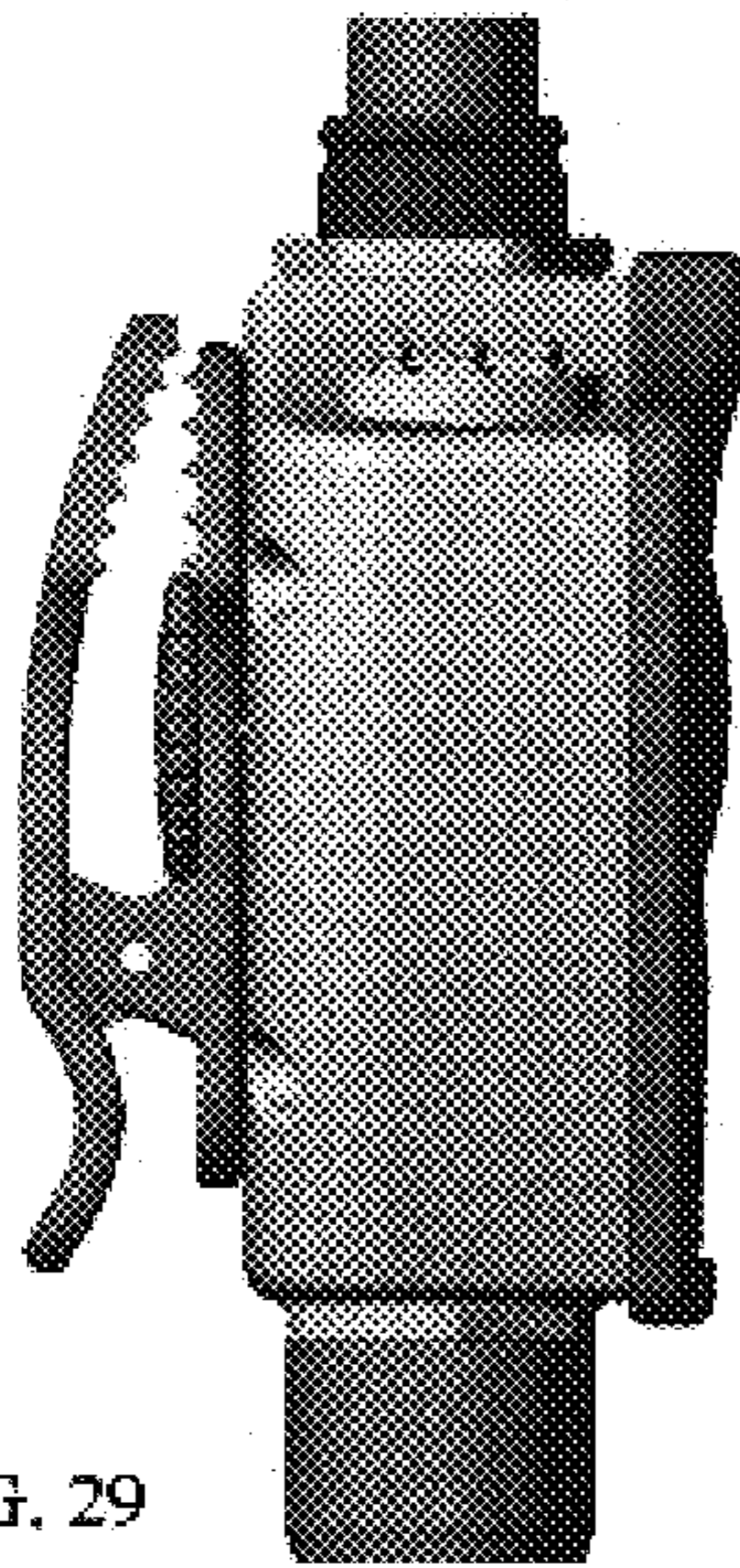


FIG. 29

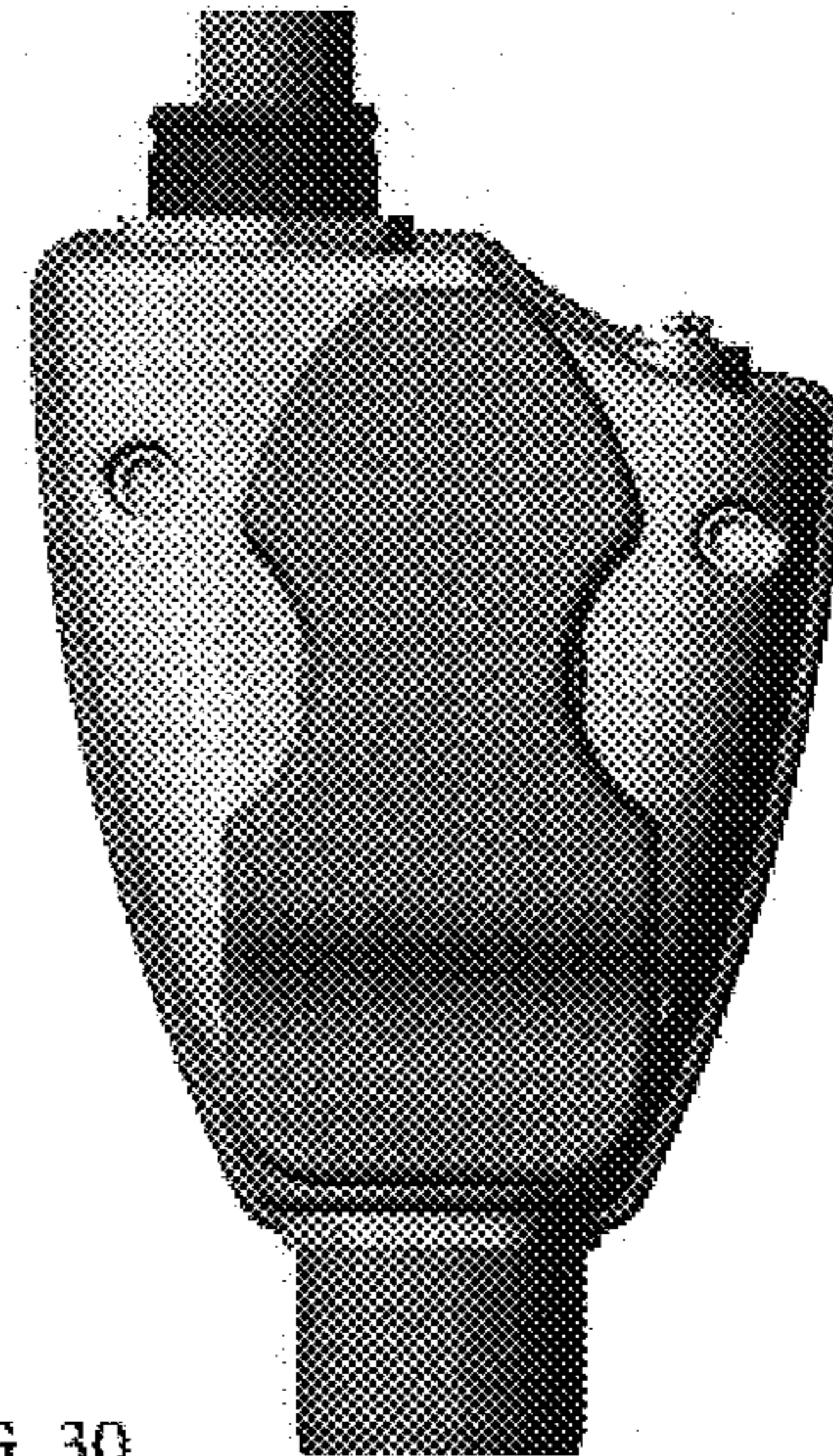


FIG. 30



FIG. 31



FIG. 32

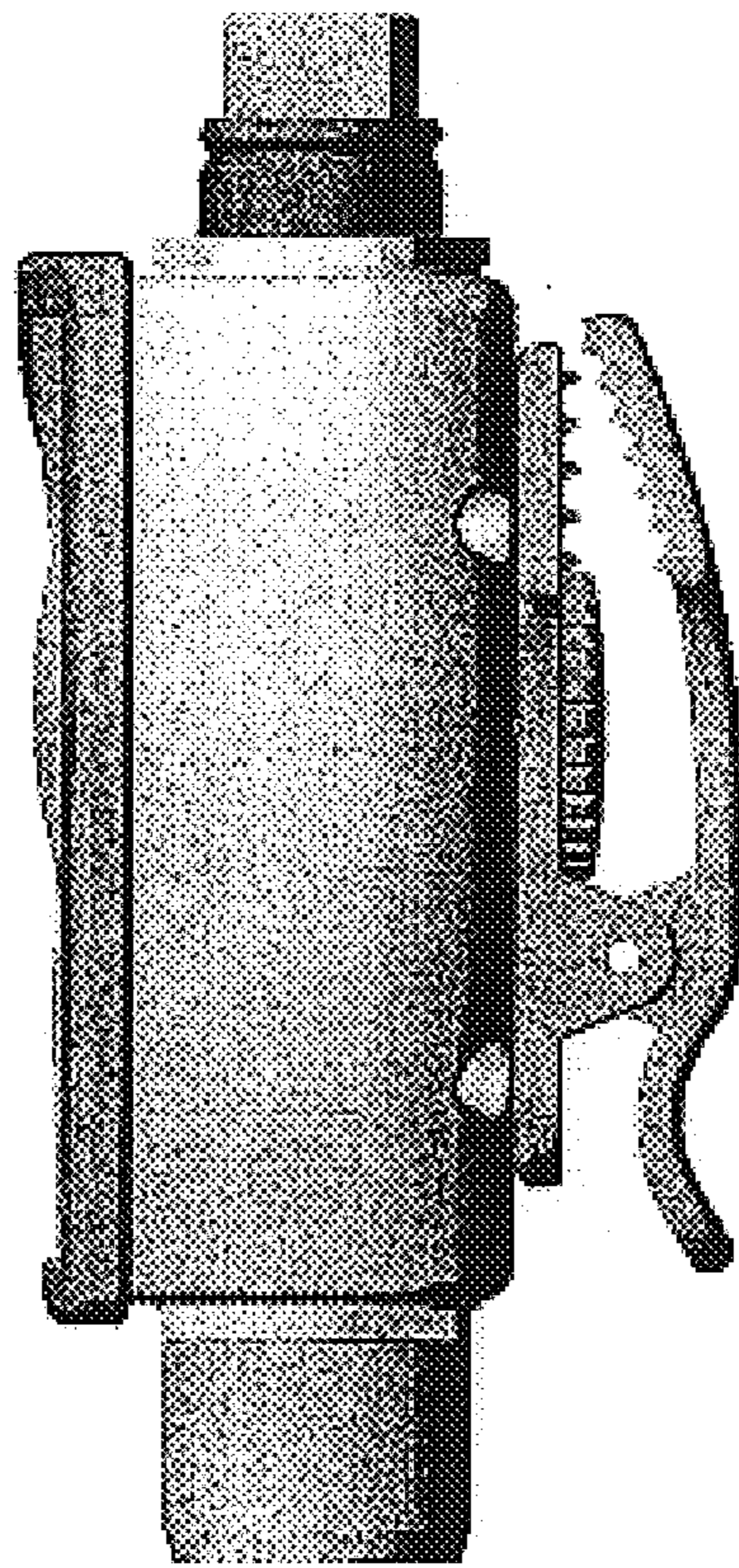


FIG. 33