

US00D512708S

(12) **United States Design Patent** (10) **Patent No.:** **US D512,708 S**
Harris, Jr. et al. (45) **Date of Patent:** **** Dec. 13, 2005**

(54) **HEADPHONES**

(75) Inventors: **Kenneth David Harris, Jr.**, Hollis, NH (US); **Baird M. Little**, Nashua, NH (US); **Stephen R. Lyman**, Hudson, NH (US)

(73) Assignee: **Brookstone Purchasing, Inc.**, Merrimack, NH (US)

(**) Term: **14 Years**

(21) Appl. No.: **29/207,025**

(22) Filed: **Jun. 8, 2004**

(51) **LOC (6) Cl.** **14-01**

(52) **U.S. Cl.** **D14/205**

(58) **Field of Search** D14/192, 205, D14/206, 223; 381/374, 376, 378; 2/209, 410, 417, 418, 419; D29/112; 181/129, 130, 137; 379/430, 431, 433; 24/3.1

(56) **References Cited**

U.S. PATENT DOCUMENTS

D229,833 S	*	1/1974	Becker	D14/205
D255,352 S	*	6/1980	Besacie	D14/205
D328,074 S	*	7/1992	Yamazaki et al.	D14/205
D337,115 S	*	7/1993	Yamazaki et al.	D14/205
D353,817 S	*	12/1994	Wada	D14/205
5,384,857 A	*	1/1995	Nordin et al.	381/378
D385,665 S	*	10/1997	Westerdal	D29/112
D434,191 S	*	11/2000	Emilsson	D29/112

6,449,806 B1	*	9/2002	Engelhard et al.	24/3.1
6,611,963 B2	*	9/2003	Woo et al.	2/209
D497,608 S	*	10/2004	Birgersson	D14/205

* cited by examiner

Primary Examiner—Paula A. Greene

(74) *Attorney, Agent, or Firm*—Nixon Peabody LLP; Tim L. Brackett, Jr.

(57) **CLAIM**

I claim the ornamental design for headphones, as shown and described.

DESCRIPTION

FIG. 1 is a front perspective view of headphones showing our new design;
 FIG. 2 is a front elevational view thereof;
 FIG. 3 is a back elevational view thereof;
 FIG. 4 is a top plan view thereof;
 FIG. 5 is a bottom plan view thereof;
 FIG. 6 is a right-side elevational view thereof;
 FIG. 7 is a left-side elevational view thereof;
 FIG. 8 is a front perspective view of headphones in a closed position showing our new design;
 FIG. 9 is a front elevational view thereof;
 FIG. 10 is a back elevational view thereof;
 FIG. 11 is a top plan view thereof;
 FIG. 12 is a bottom plan view thereof;
 FIG. 13 is a right-side elevational view thereof; and,
 FIG. 14 is a left-side elevational view thereof.

1 Claim, 14 Drawing Sheets

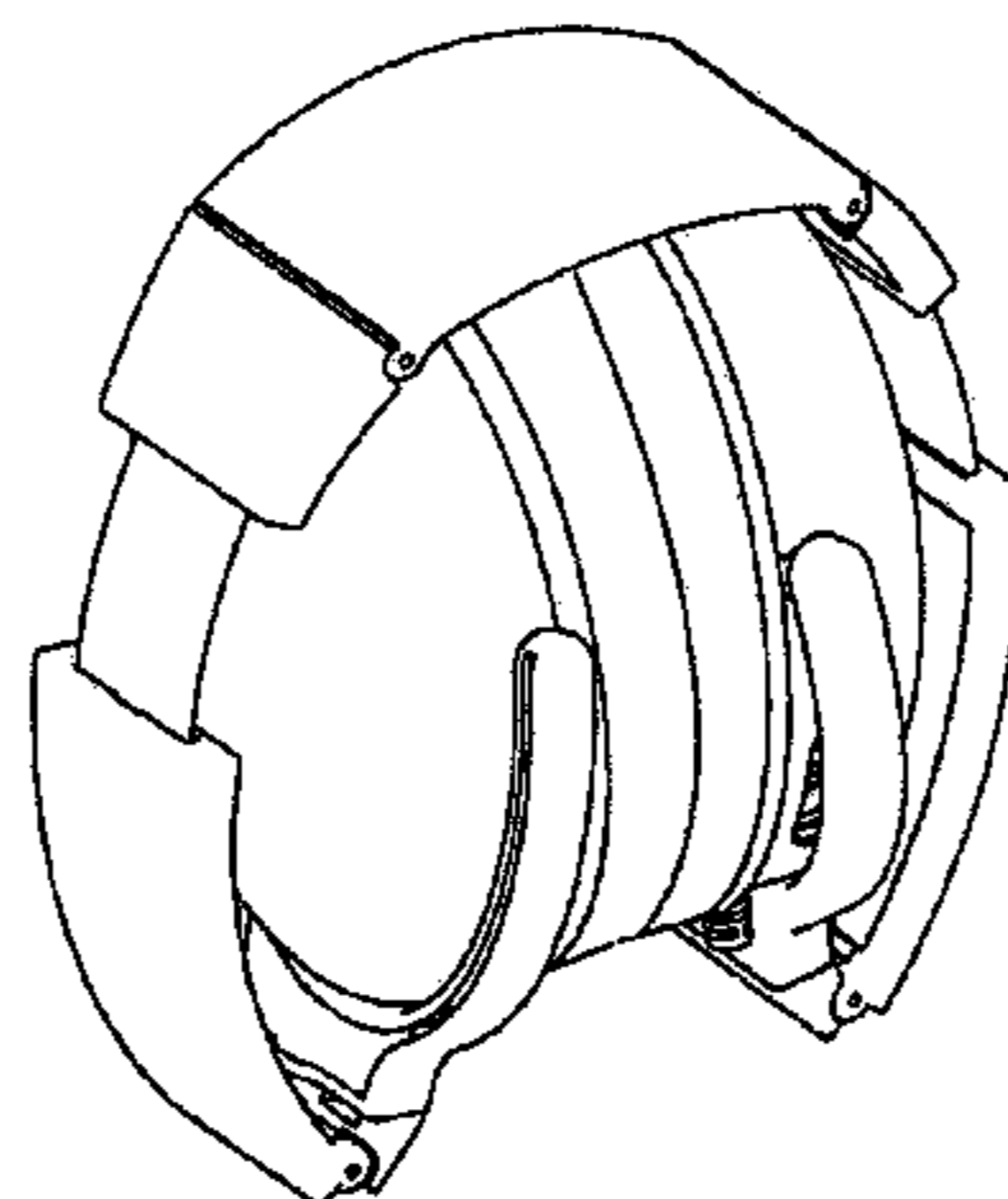
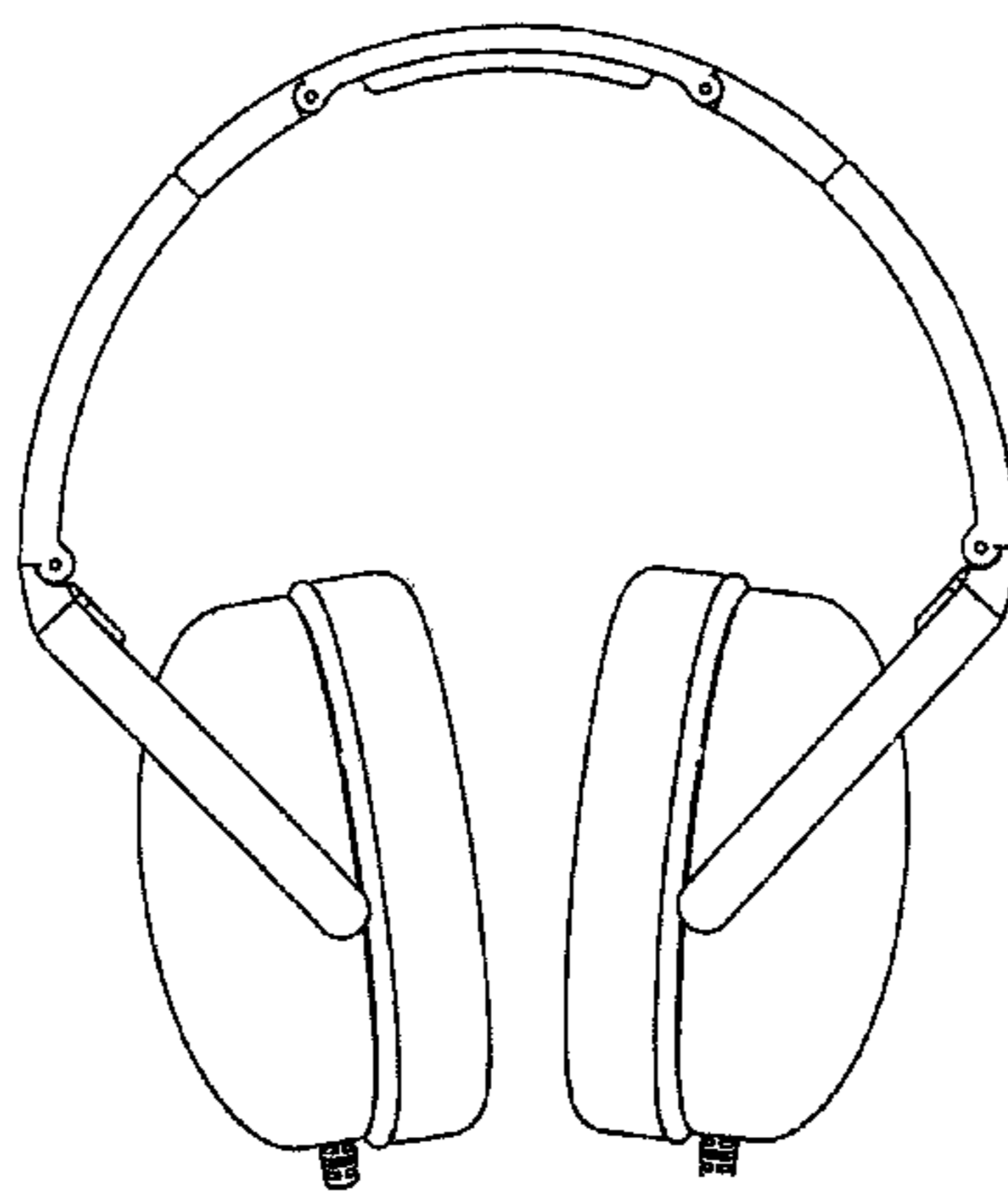


FIG. 1

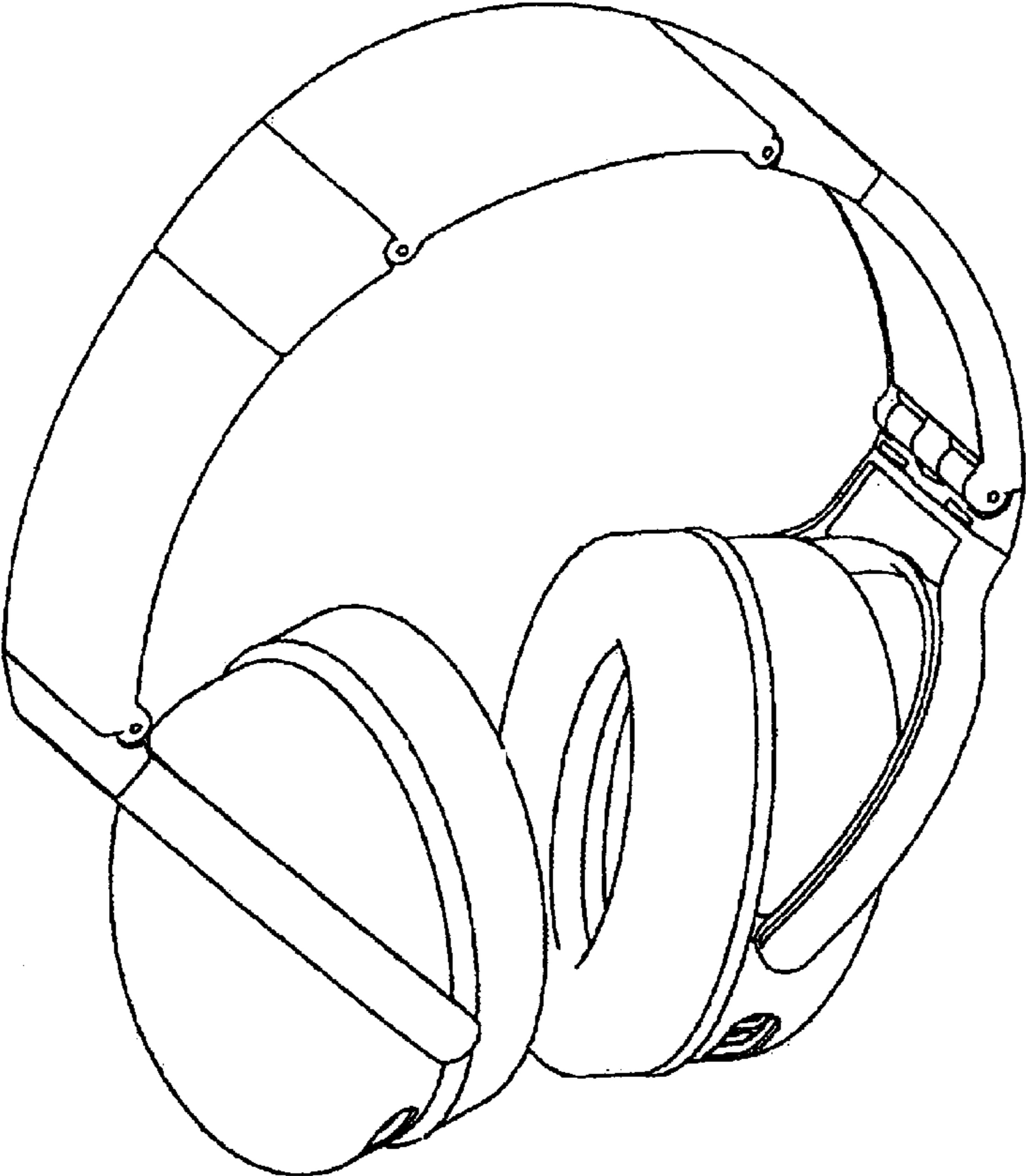


FIG. 2

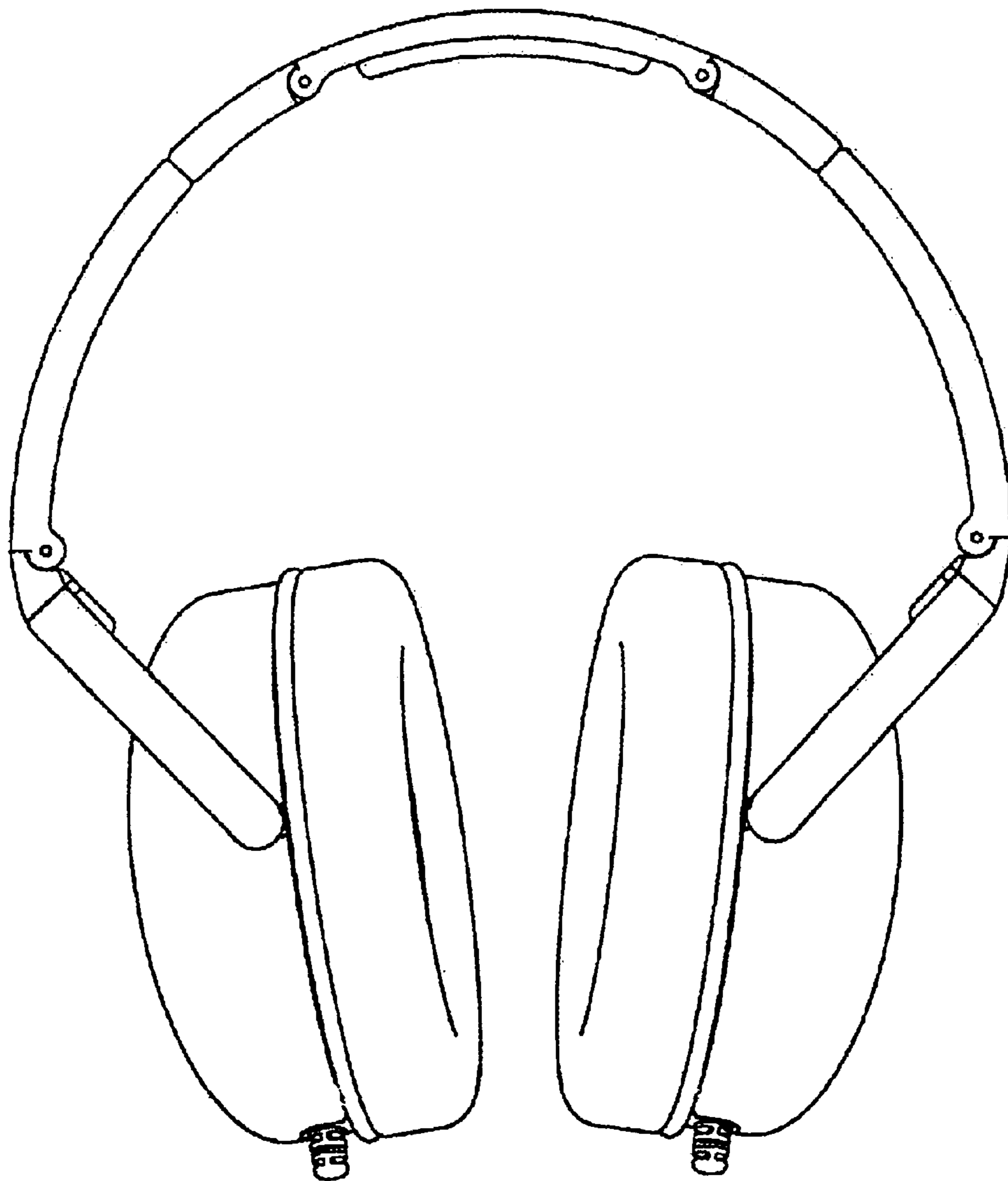


FIG. 3

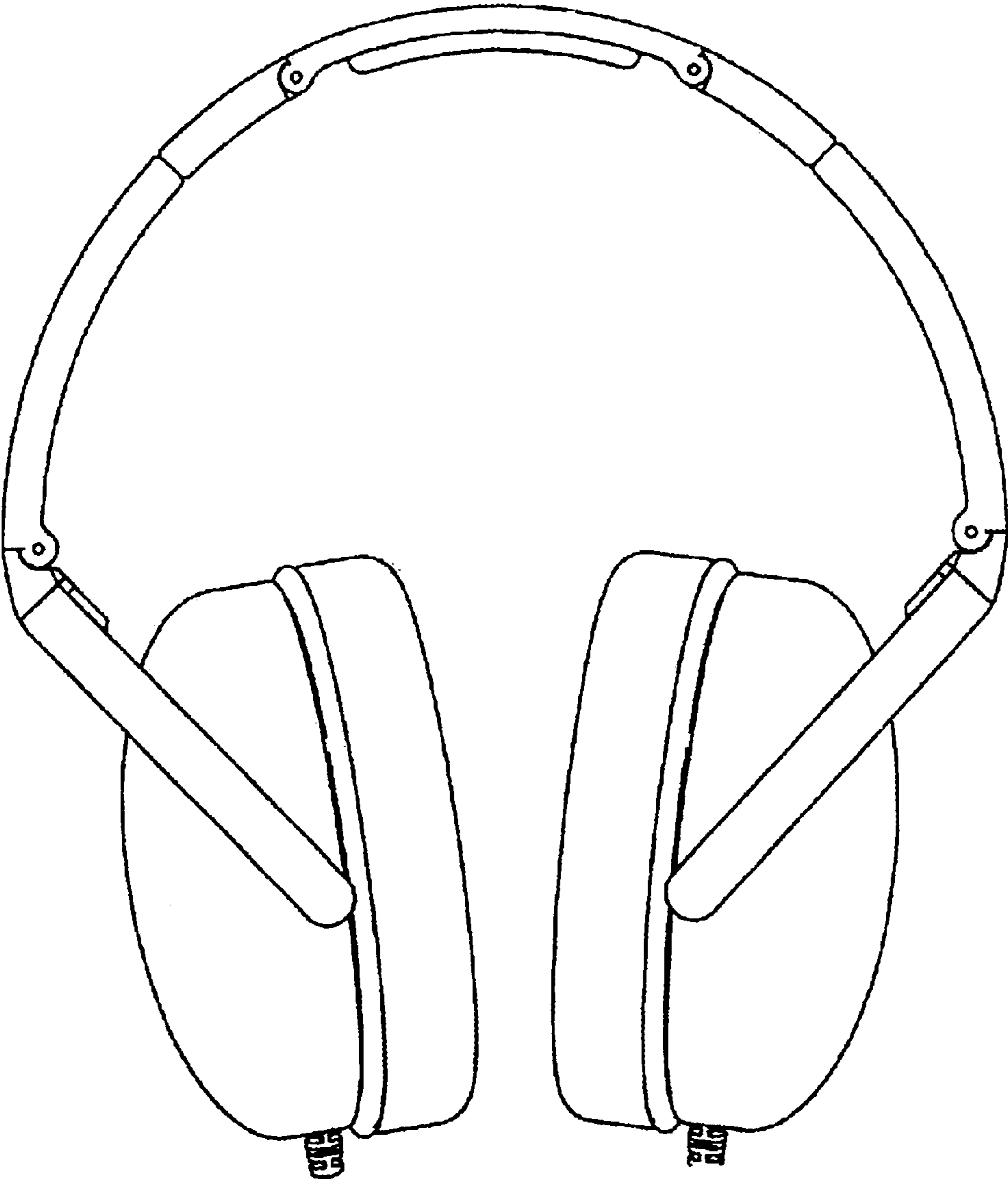


FIG. 4

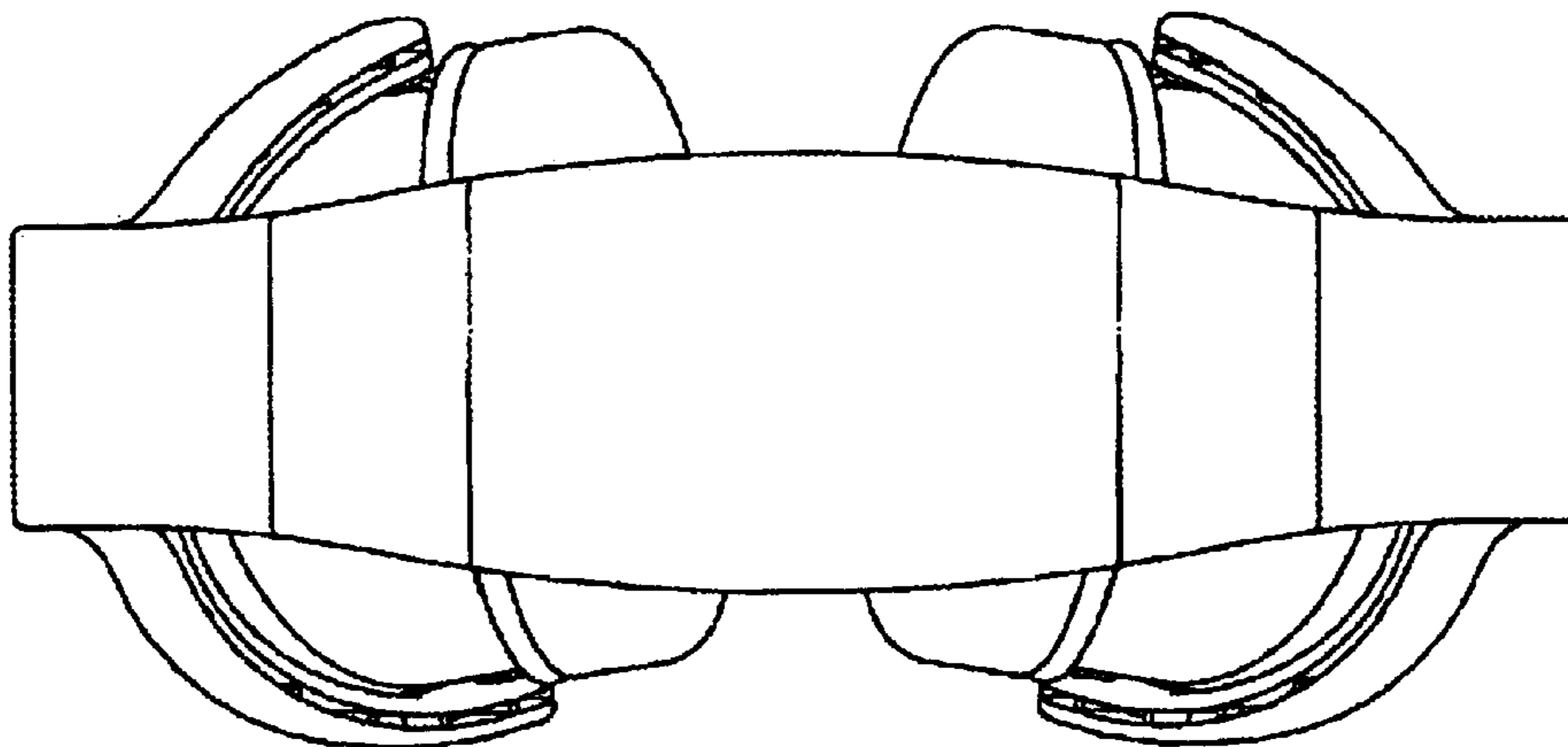


FIG. 5

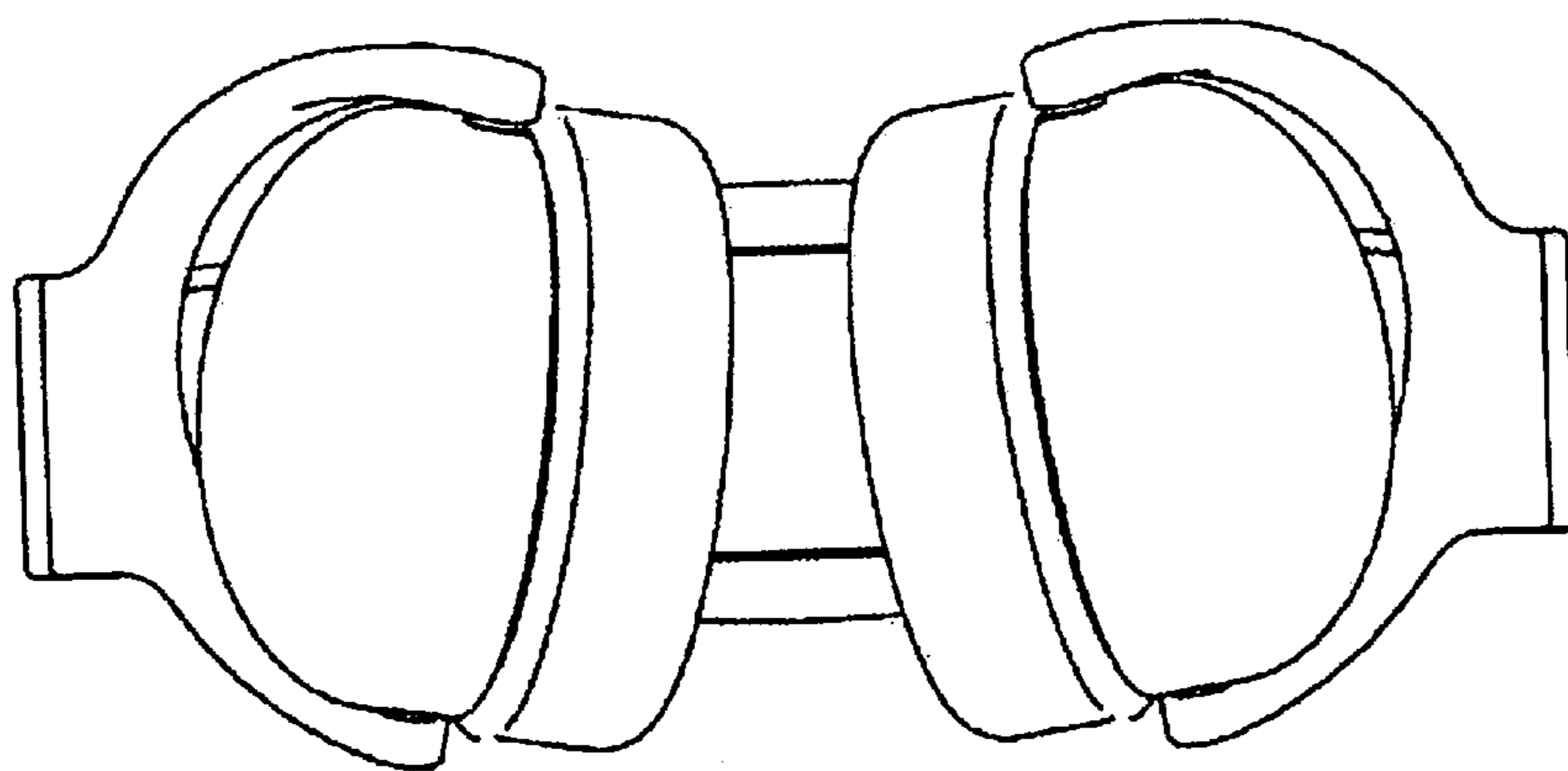


FIG. 6

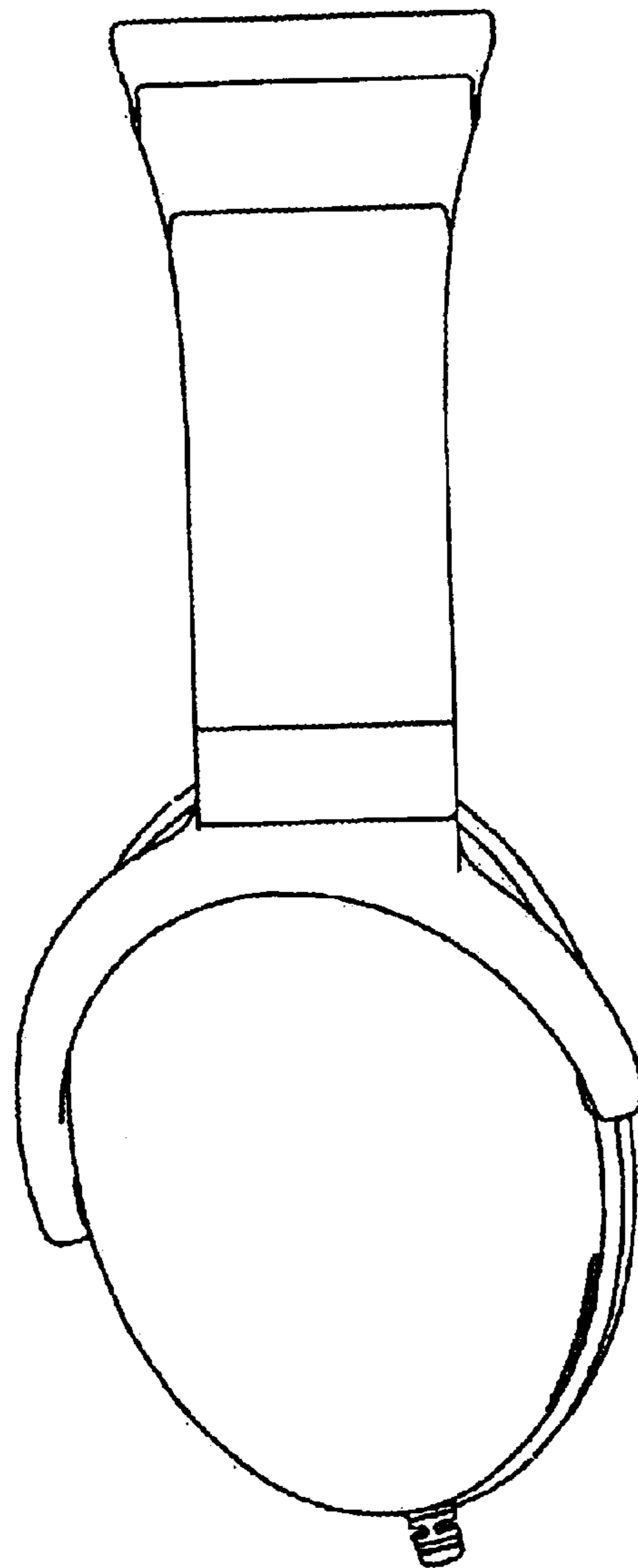


FIG. 7

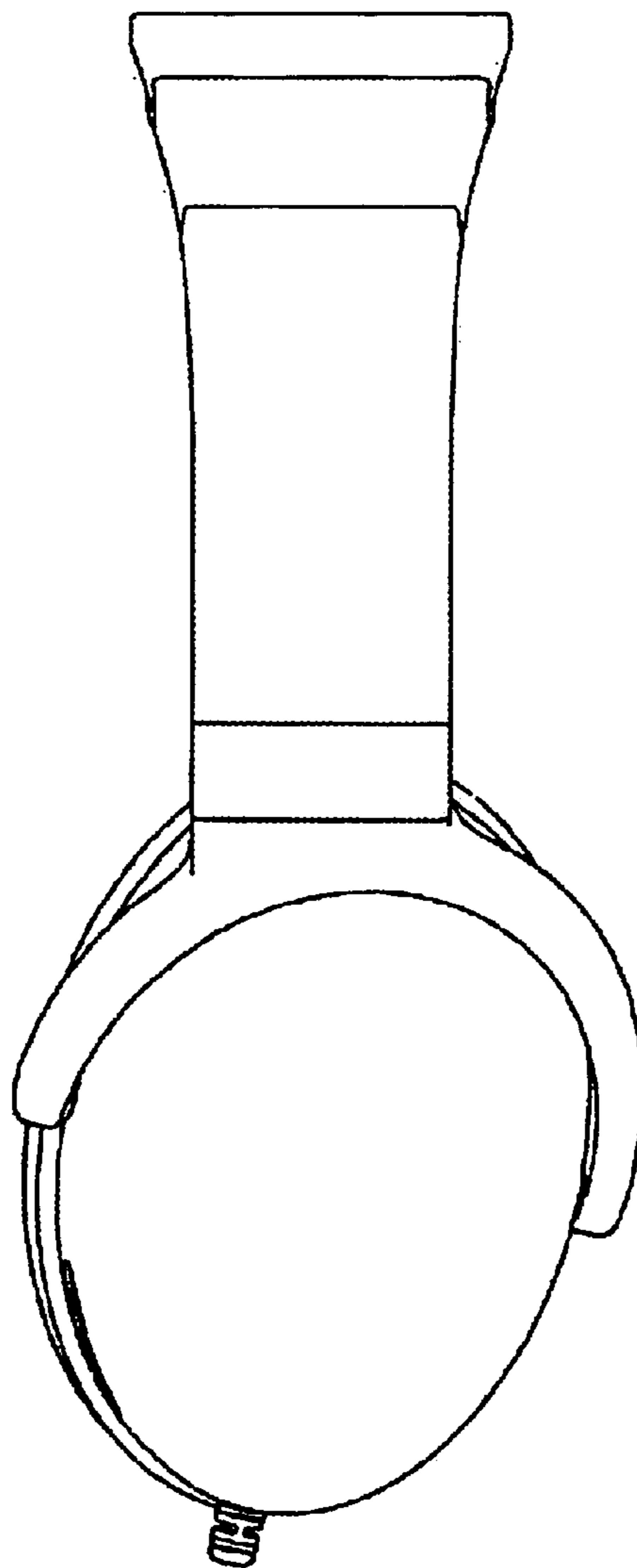


FIG. 8

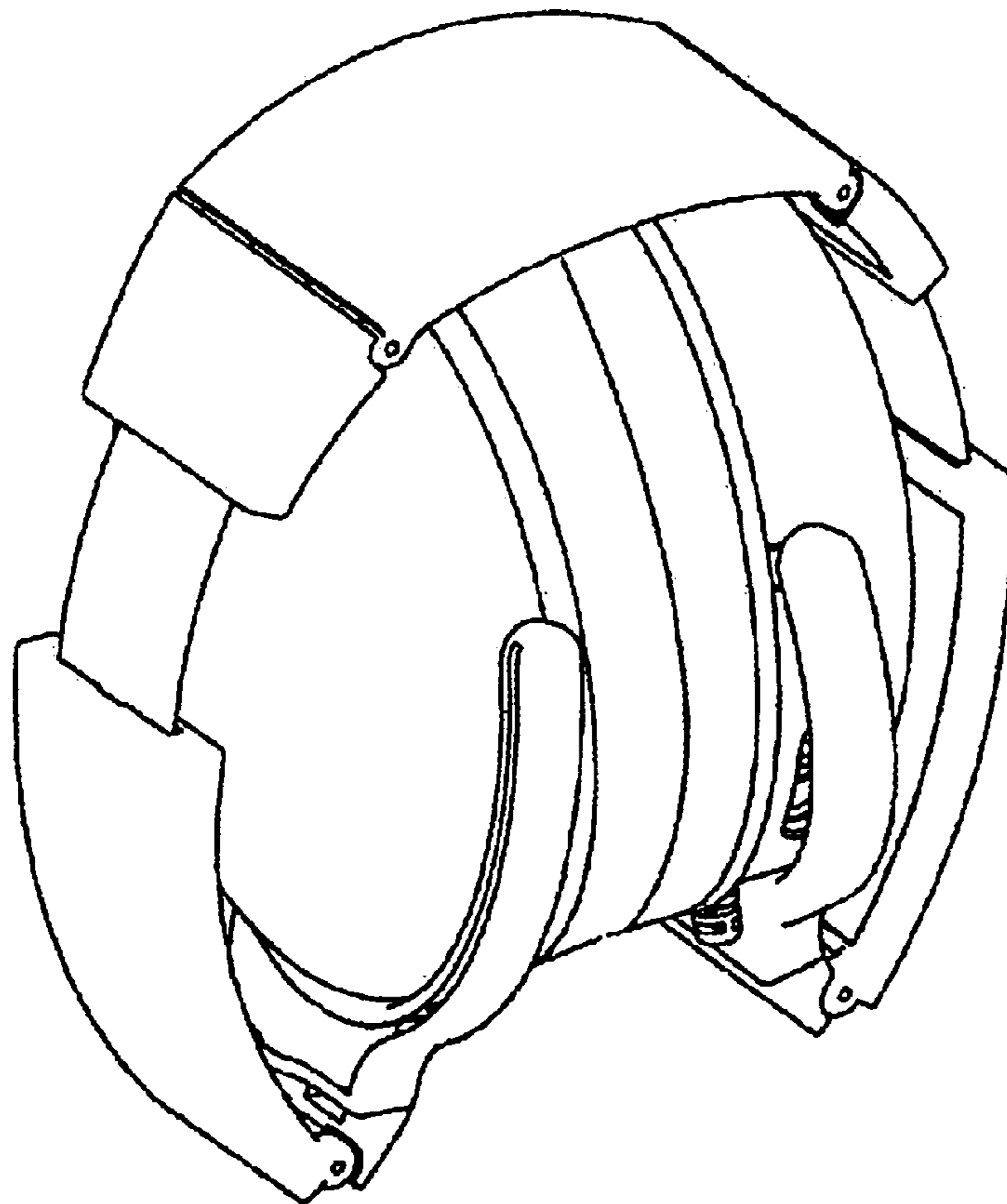


FIG. 9

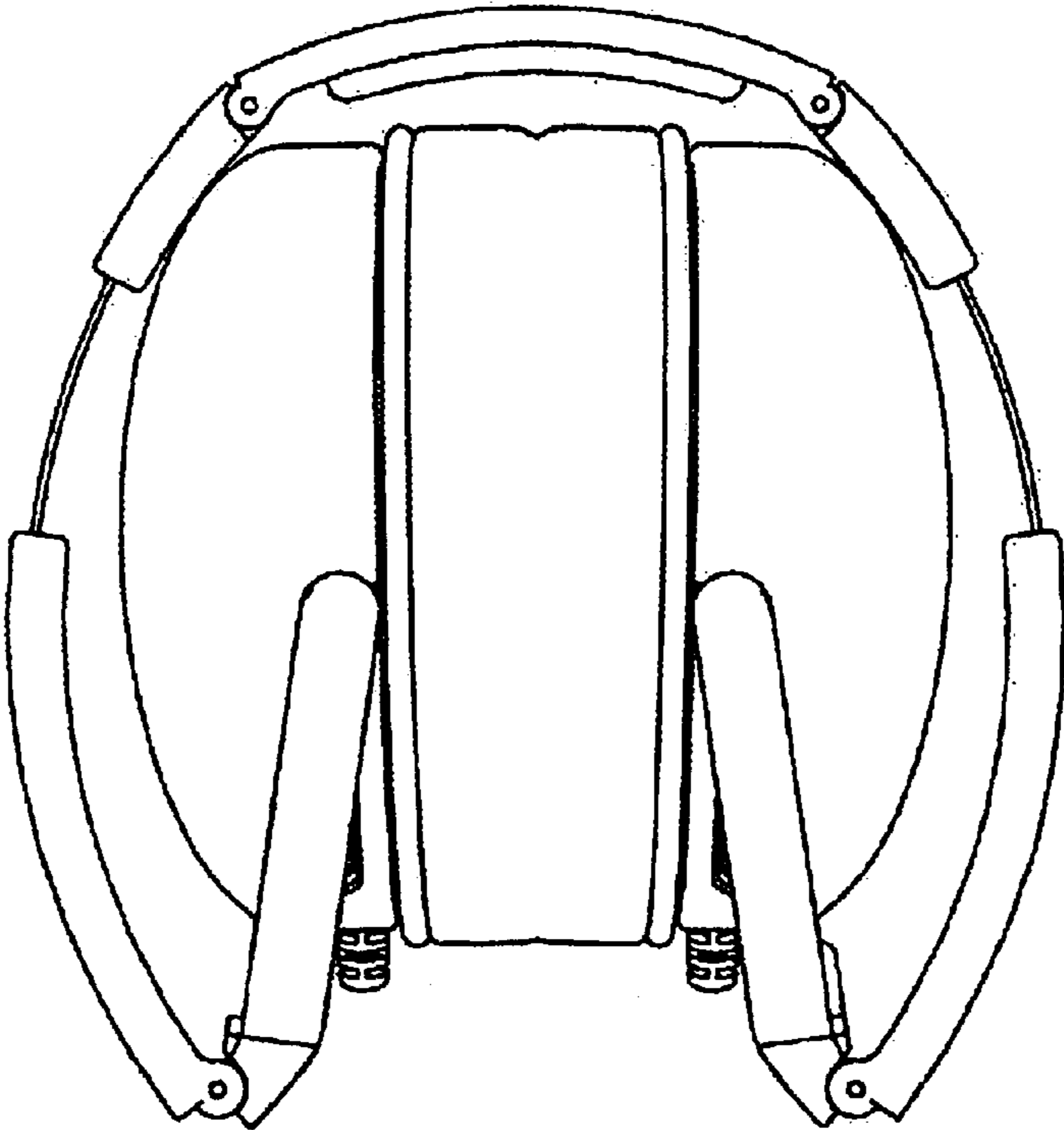


FIG. 10

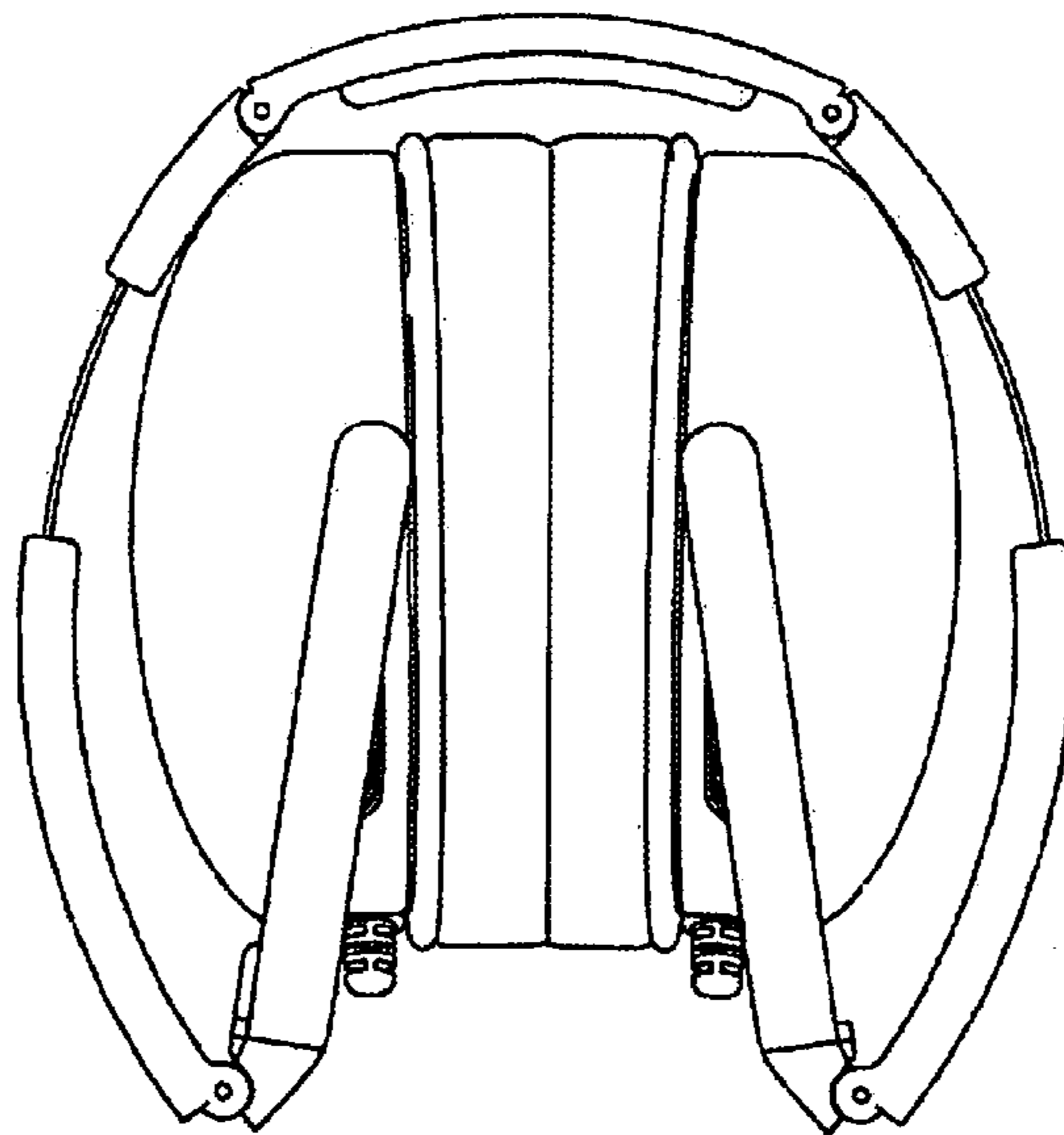


FIG. 11

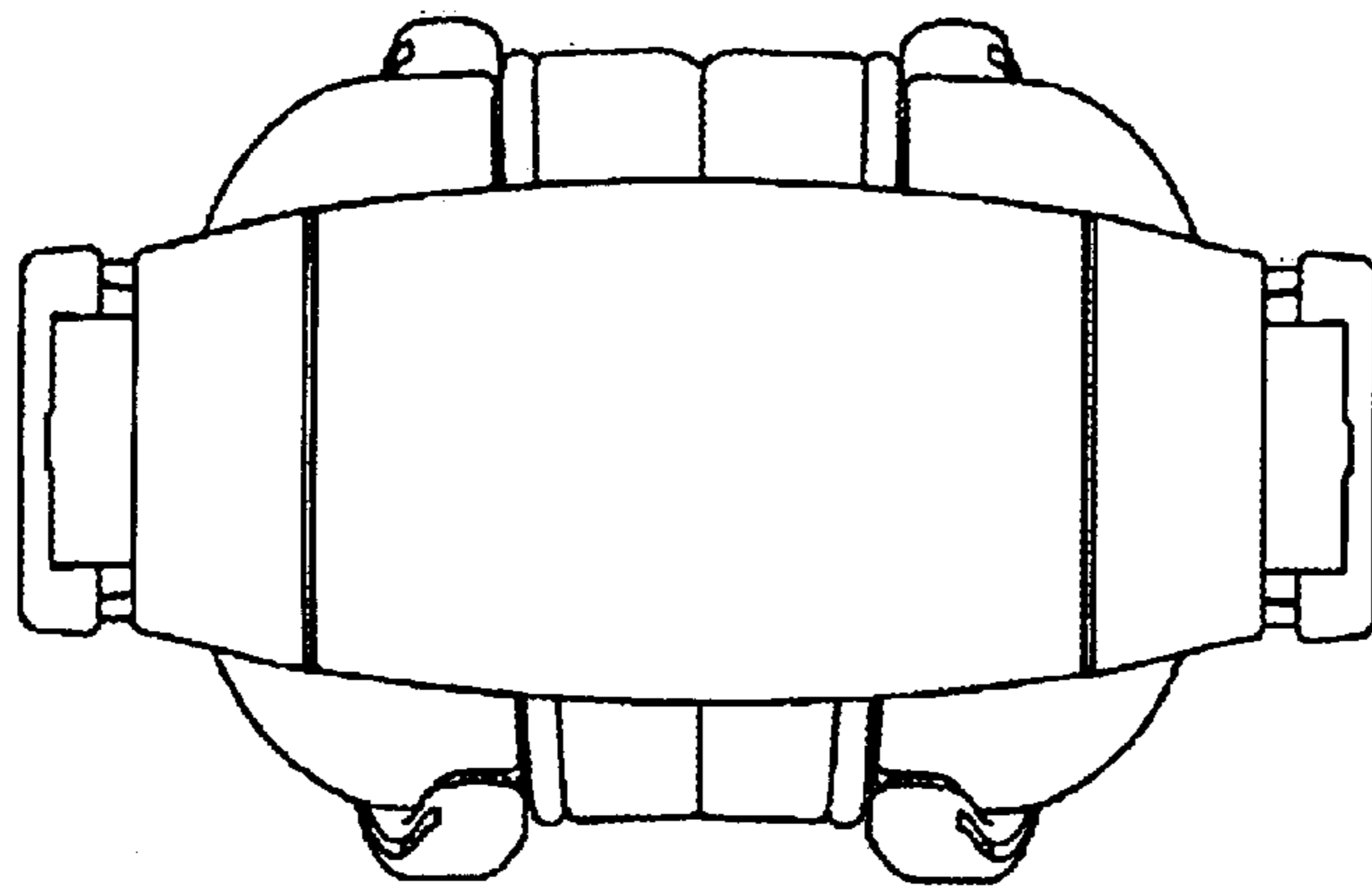


FIG. 12

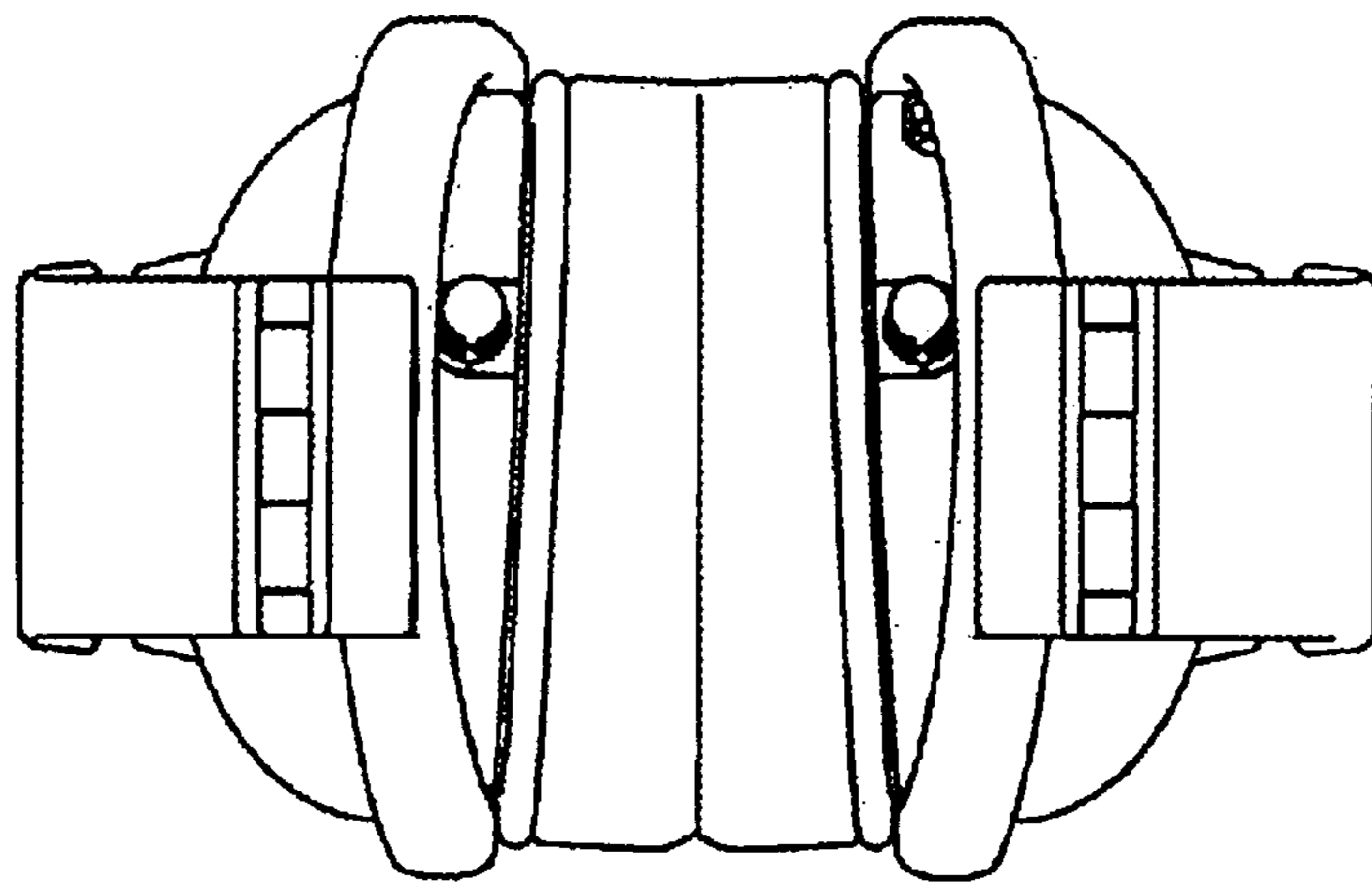


FIG. 13

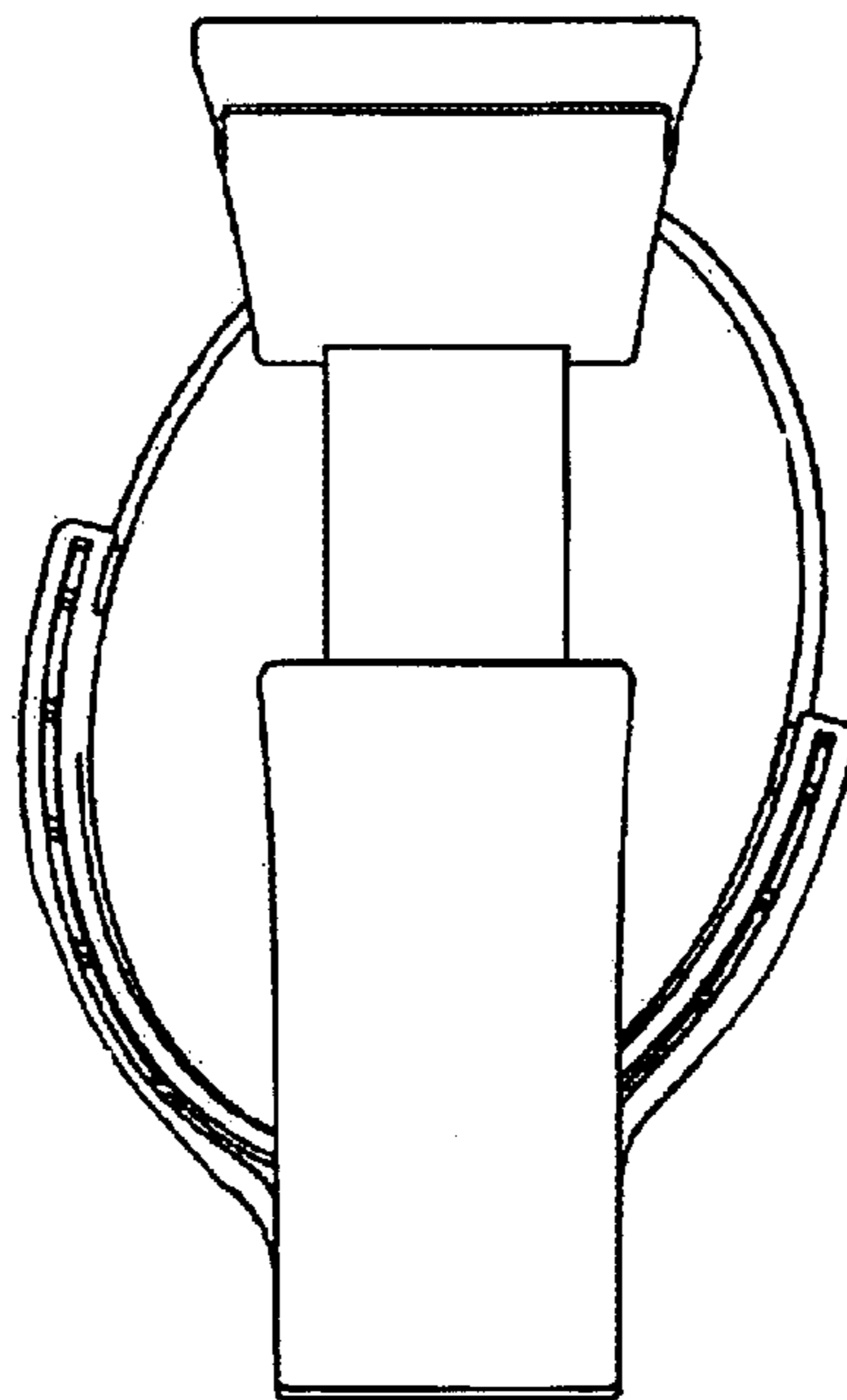


FIG. 14

