



US00D512707S

(12) **United States Design Patent**  
**Chen et al.**

(10) **Patent No.:** **US D512,707 S**  
(45) **Date of Patent:** **\*\* Dec. 13, 2005**

(54) **AMPLIFIER**

(75) Inventors: **Tzu-Fu Chen**, Taoyuan (TW);  
**Ming-Hwa Ching**, Taoyuan (TW)

(73) Assignee: **Enlight Corporation**, Taoyuan (TW)

(\*\*) Term: **14 Years**

(21) Appl. No.: **29/209,564**

(22) Filed: **Jul. 16, 2004**

(51) **LOC (6) Cl.** ..... **14-03**

(52) **U.S. Cl.** ..... **D14/188**

(58) **Field of Search** ..... D14/188, 179,  
D14/192-198, 299, 265; 455/343-351;  
330/1 R, 3, 4, 250; 381/118-120

(56) **References Cited**

**U.S. PATENT DOCUMENTS**

3,091,736 A \* 5/1963 Germain ..... 455/90.3  
3,860,755 A \* 1/1975 Kimbell et al. .... 381/109  
5,285,500 A \* 2/1994 Mantz ..... 381/86  
D416,903 S \* 11/1999 Kizawa ..... D14/188

6,028,945 A \* 2/2000 Gayle ..... 381/120  
D431,033 S \* 9/2000 Takahashi et al. .... D14/188  
D497,152 S \* 10/2004 Yeh ..... D14/188  
D500,488 S \* 1/2005 Uehara et al. .... D14/188

\* cited by examiner

*Primary Examiner*—Prabhakar Deshmukh

(74) *Attorney, Agent, or Firm*—Alan D. Kamrath; Nikolai & Mersereau, P.A.

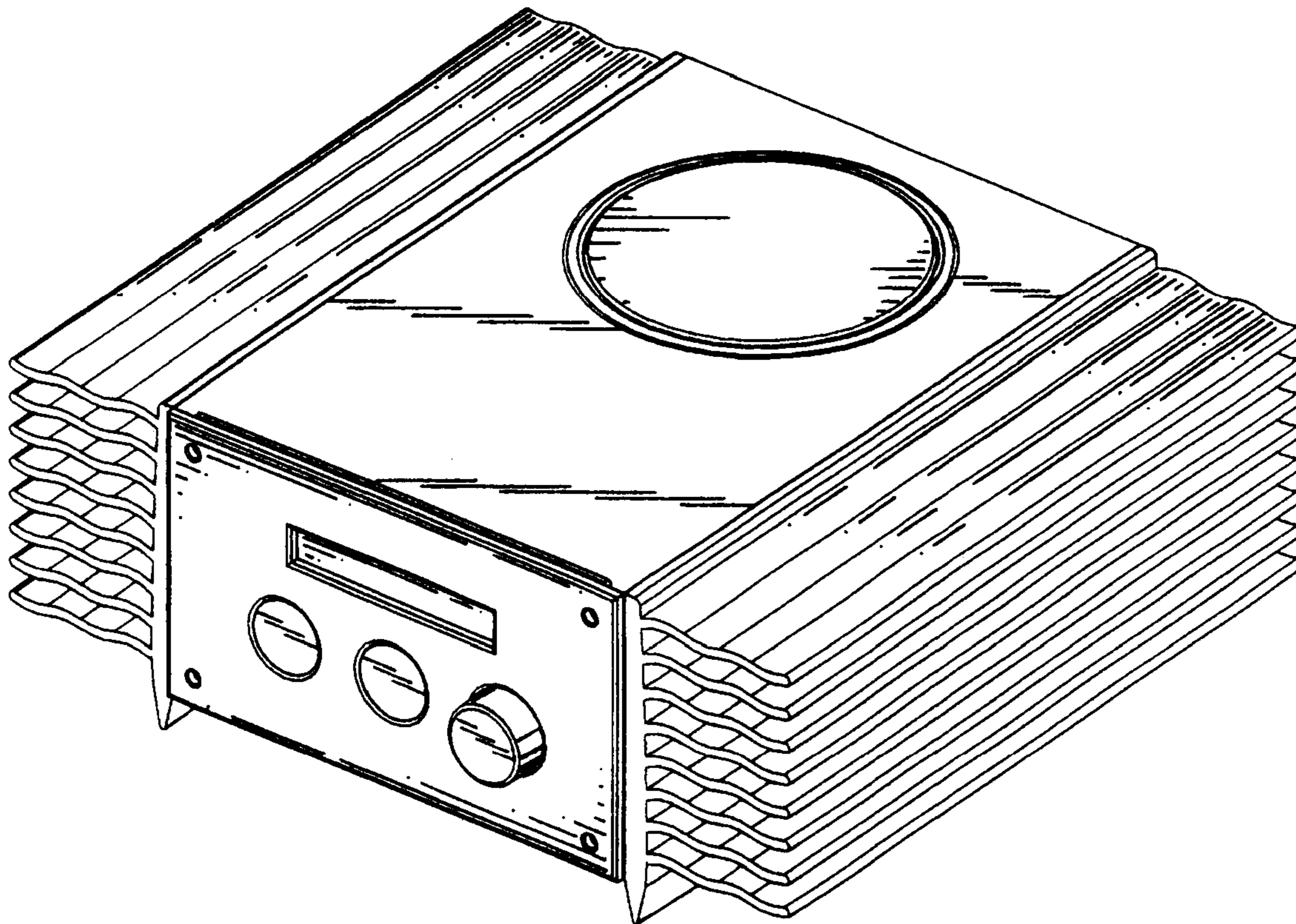
(57) **CLAIM**

The ornamental design for an amplifier, as shown and described.

**DESCRIPTION**

FIG. 1 is a perspective view of a amplifier showing my new design;  
FIG. 2 is a front view thereof;  
FIG. 3 is a rear view thereof;  
FIG. 4 is a left view thereof; the opposite side being a mirror image of the shown;  
FIG. 5 is a top view thereof; and,  
FIG. 6 is a bottom view thereof.

**1 Claim, 3 Drawing Sheets**



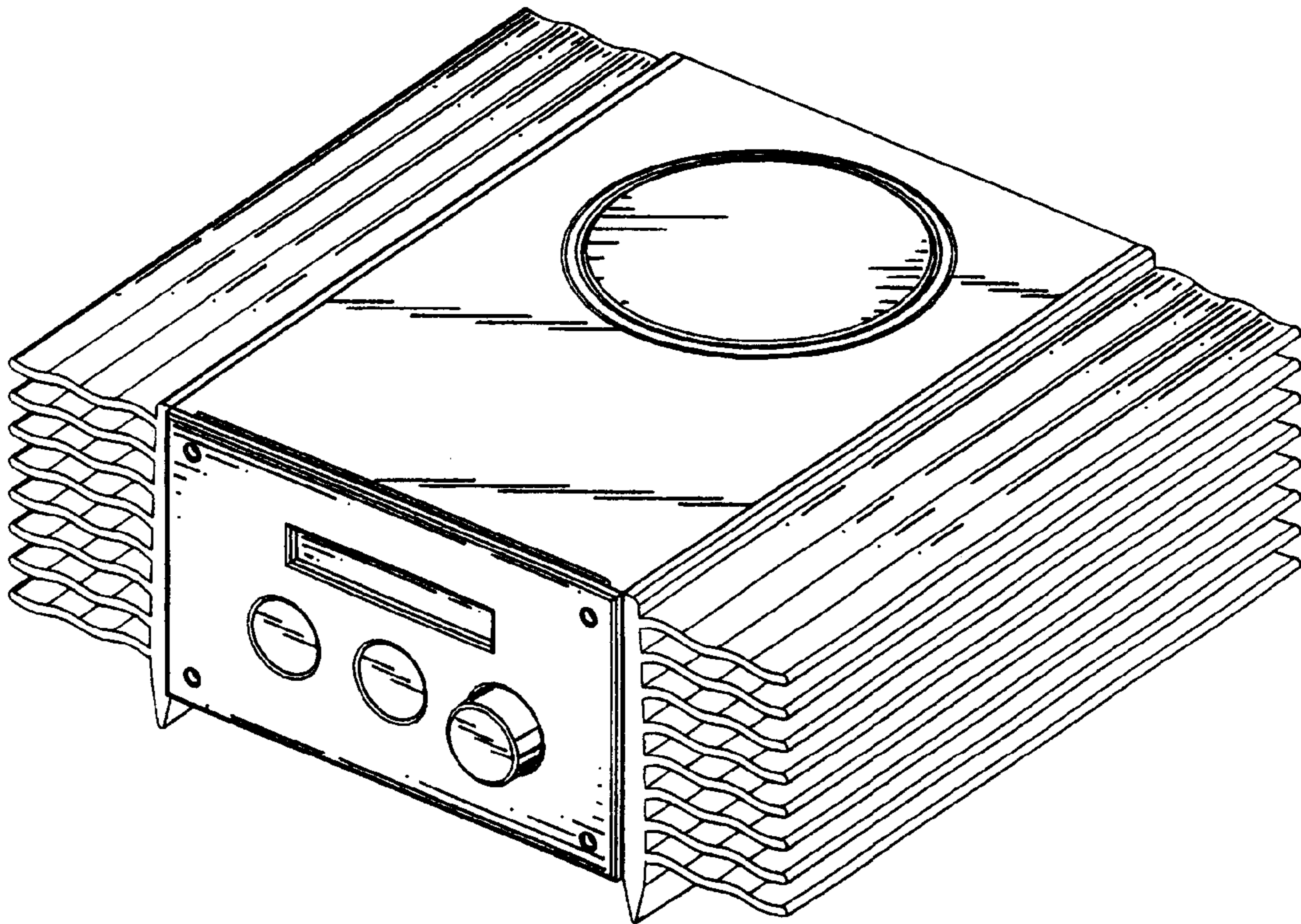


Fig. 1

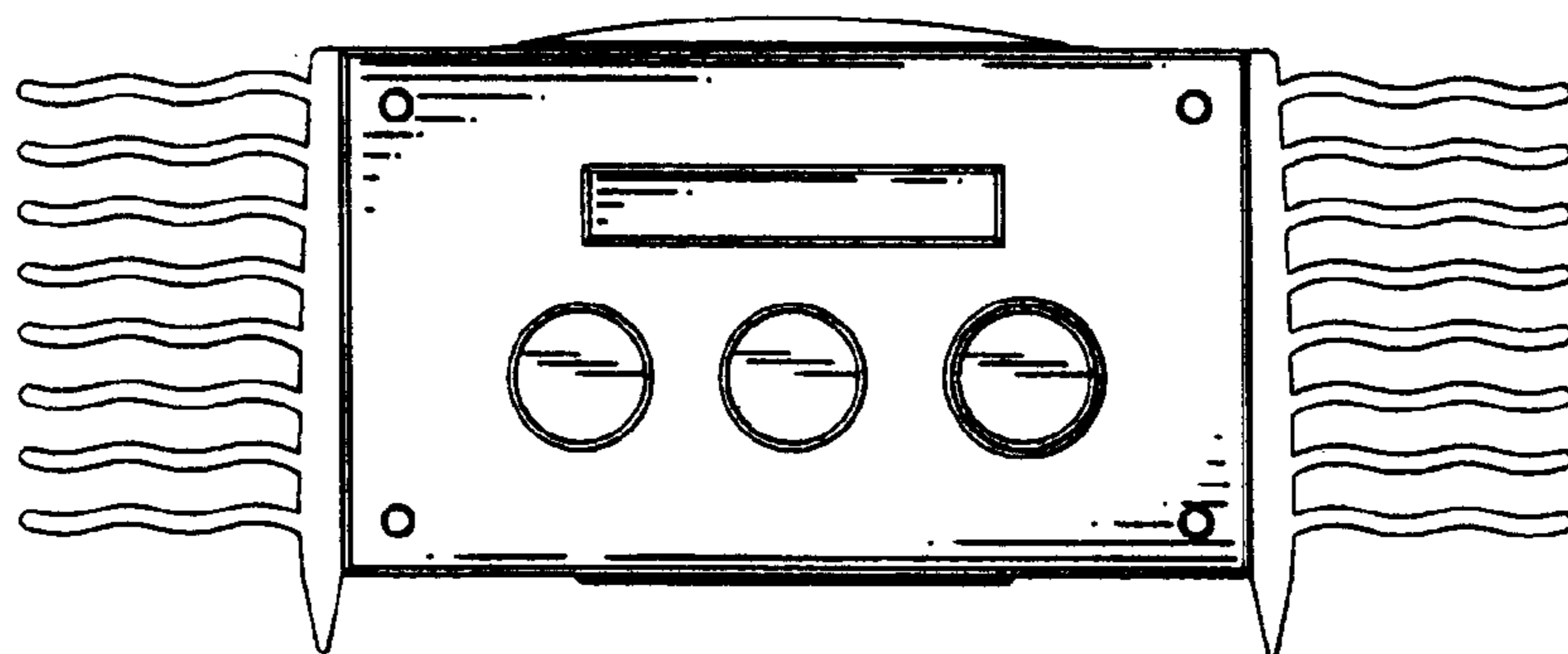


Fig. 2

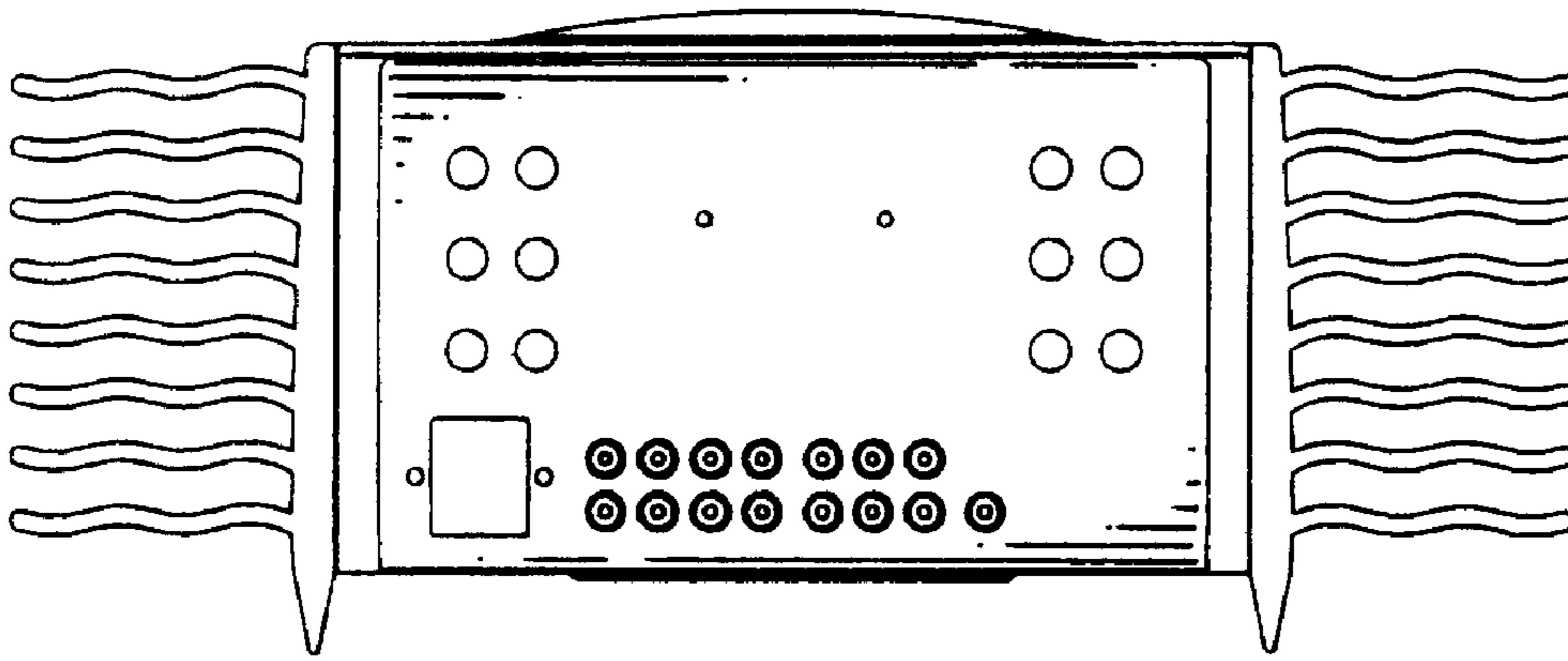


Fig. 3

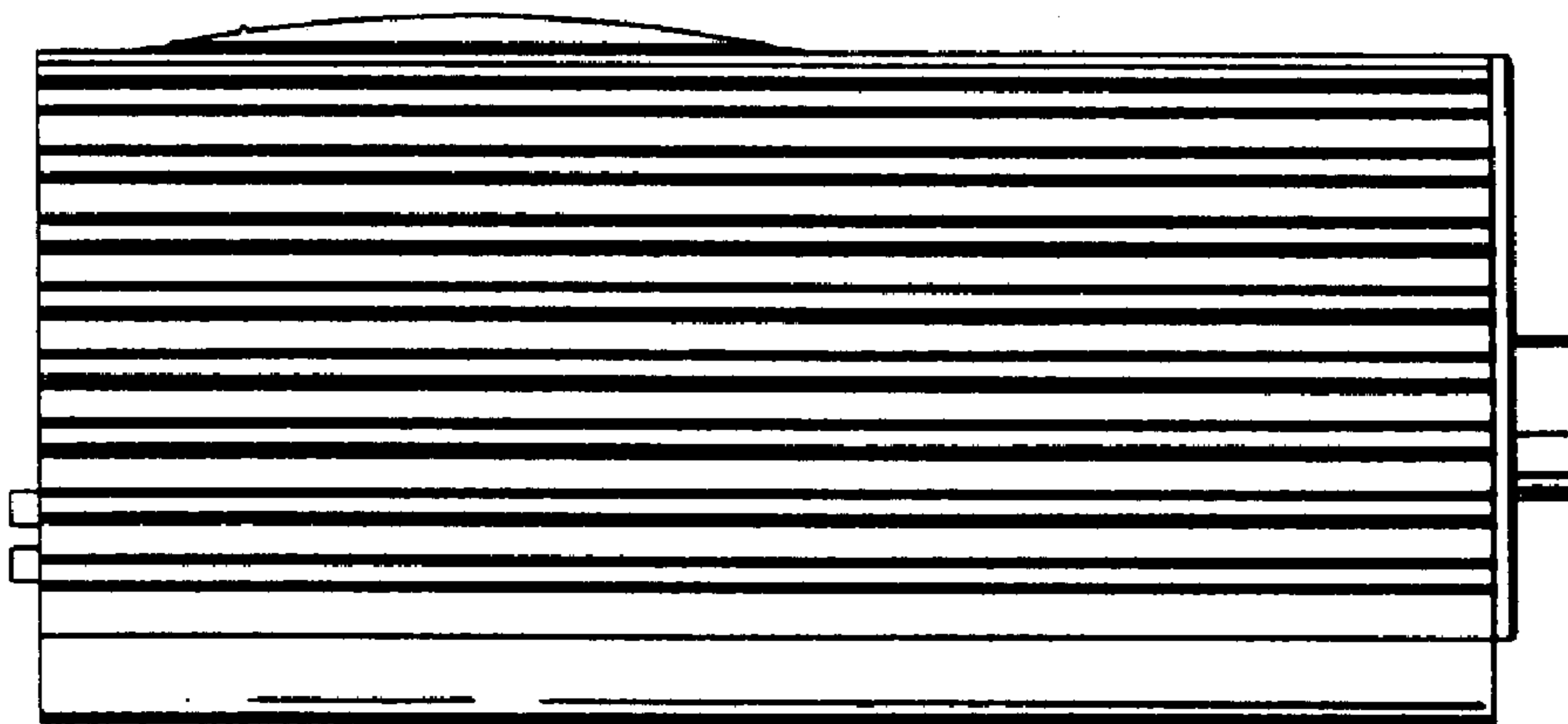


Fig. 4

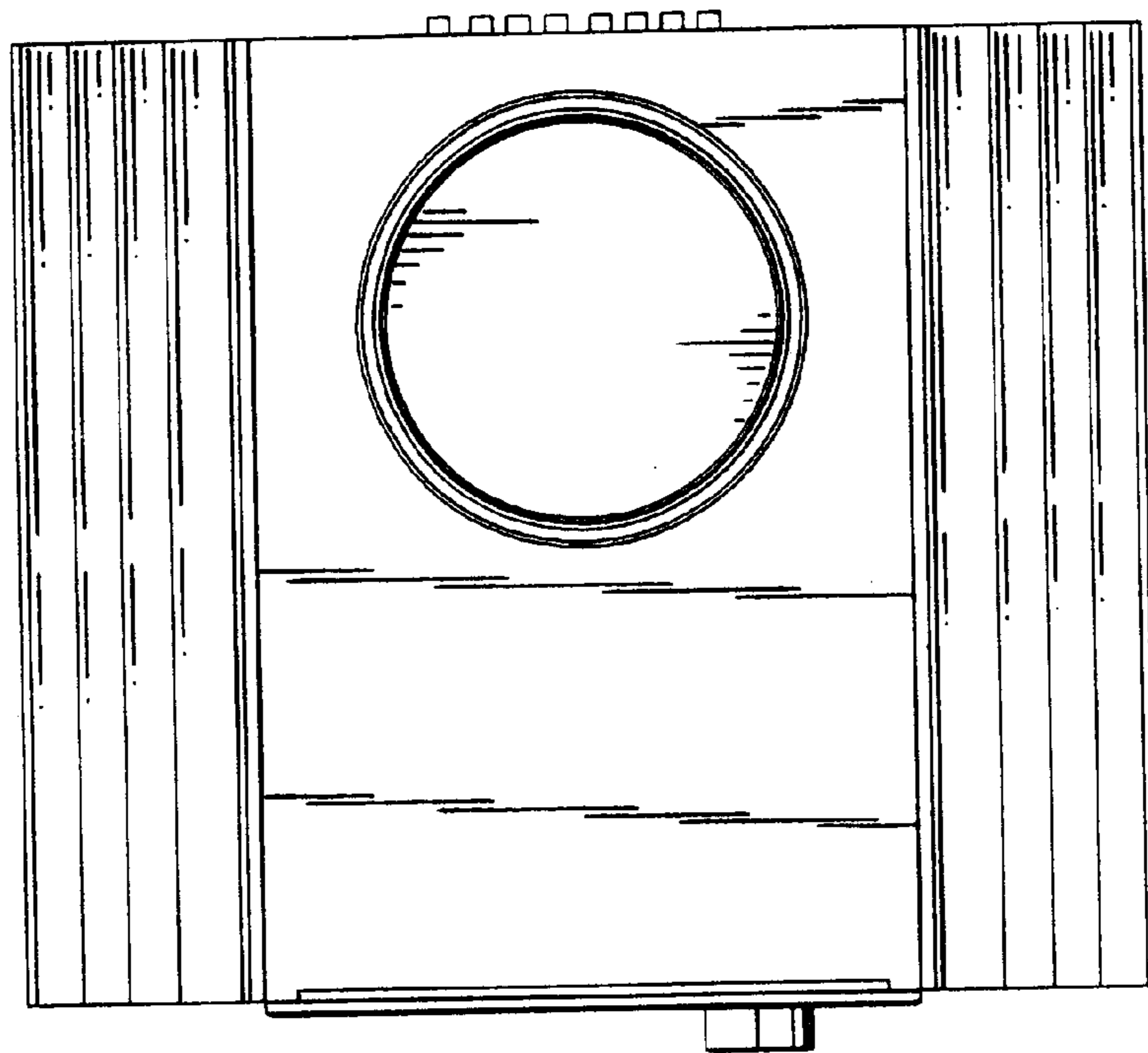


Fig. 5

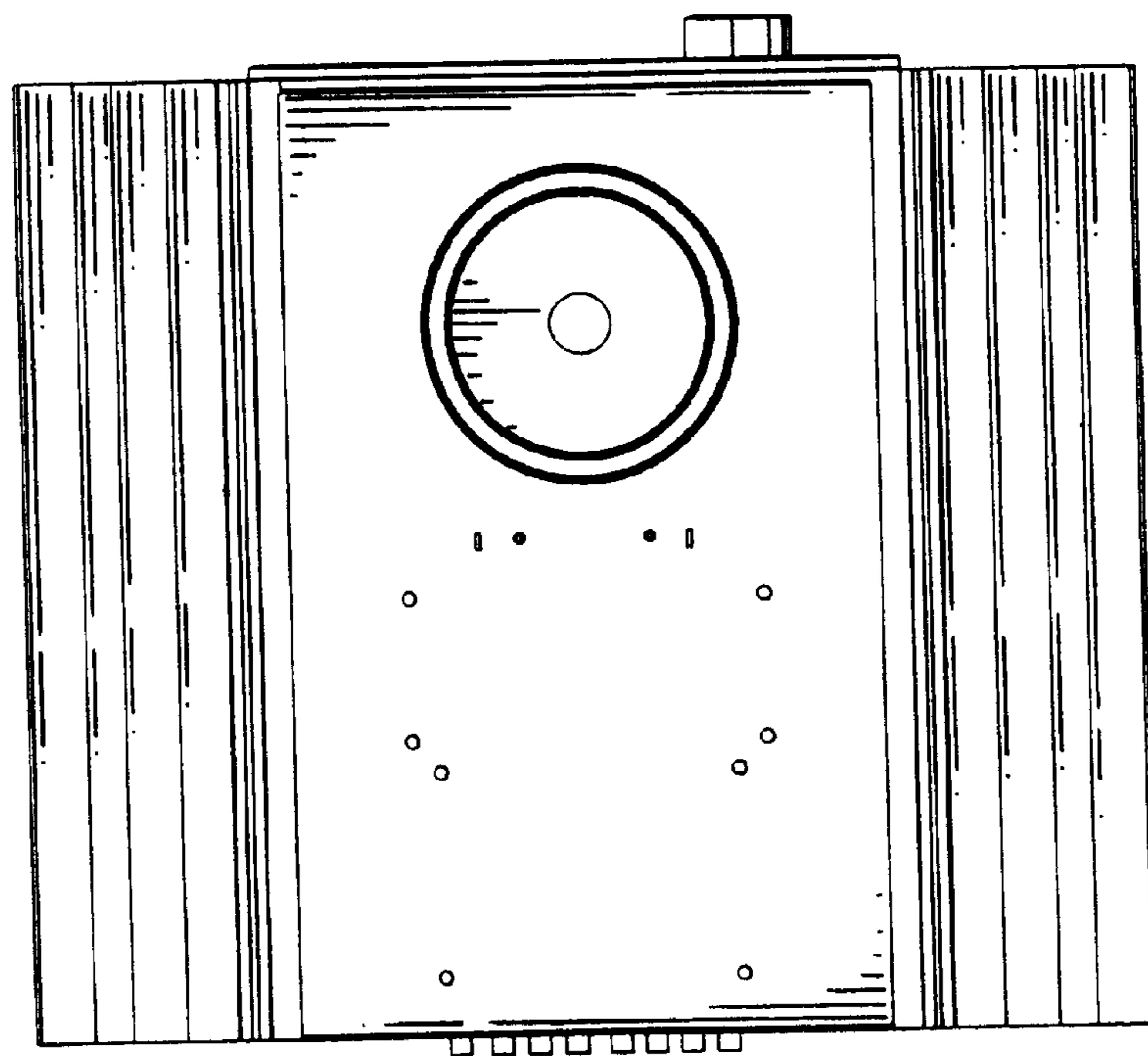


Fig. 6