



US00D512706S

(12) **United States Design Patent** (10) **Patent No.:** **US D512,706 S**
Nakane et al. (45) **Date of Patent:** **** Dec. 13, 2005**

(54) **DIGITAL AUDIO DISC PLAYER EQUIPPED WITH MIXING FUNCTION**

(75) Inventors: **Koji Nakane**, Tokyo (JP); **Shuji Natori**, Tokyo (JP)

(73) Assignee: **Pioneer Corporation**, Tokyo (JP)

(**) Term: **14 Years**

(21) Appl. No.: **29/179,203**

(22) Filed: **Apr. 8, 2003**

(51) **LOC (6) Cl.** **14-01**

(52) **U.S. Cl.** **D14/156; D14/168**

(58) **Field of Search** D14/156, 162, D14/168, 217, 239, 496; 84/625, 660, 697; 369/75.1-75.2, 77.1-77.2; 381/118, 119

(56) **References Cited**

U.S. PATENT DOCUMENTS

D349,290 S	*	8/1994	Christensen et al.	D14/217
D417,450 S	*	12/1999	Kurachi et al.	D14/156
D421,011 S	*	2/2000	Natori	D14/168
D454,552 S		3/2002	Nakane		
D454,855 S	*	3/2002	Nakane	D14/168

OTHER PUBLICATIONS

Pioneer Catalog of The Professional CD Player "CDJ-500S" issued in 1997 [corresponds to JP design Publication No. 1033723 issued Mar. 9, 1999 which was previously submitted].

Catalog of the Pioneer DJ Series "CDJ-100S", p. 5, issued in Jan. 2000 [corresponds to JP design publication No. 1054679 issued Nov. 22, 1999 which was previously submitted].

Catalog of Pioneer DJ Series "EFX-500", p. 1 issues in Nov. 1998 [corresponds to JP design publication No. 1062032 issued on Feb. 28, 2000 which was previously submitted].

* cited by examiner

Primary Examiner—Nanda Bondade

(74) *Attorney, Agent, or Firm*—Sughrue Mion, PLLC

(57) **CLAIM**

The ornamental design for a digital audio disc player equipped with mixing function, as shown and described.

DESCRIPTION

FIG. 1 is a top plan view of a digital audio disc player equipped with mixing function with the power turned off showing our new design;

FIG. 2 is a front elevational view thereof;

FIG. 3 is a bottom plan view thereof;

FIG. 4 is a rear elevational view thereof;

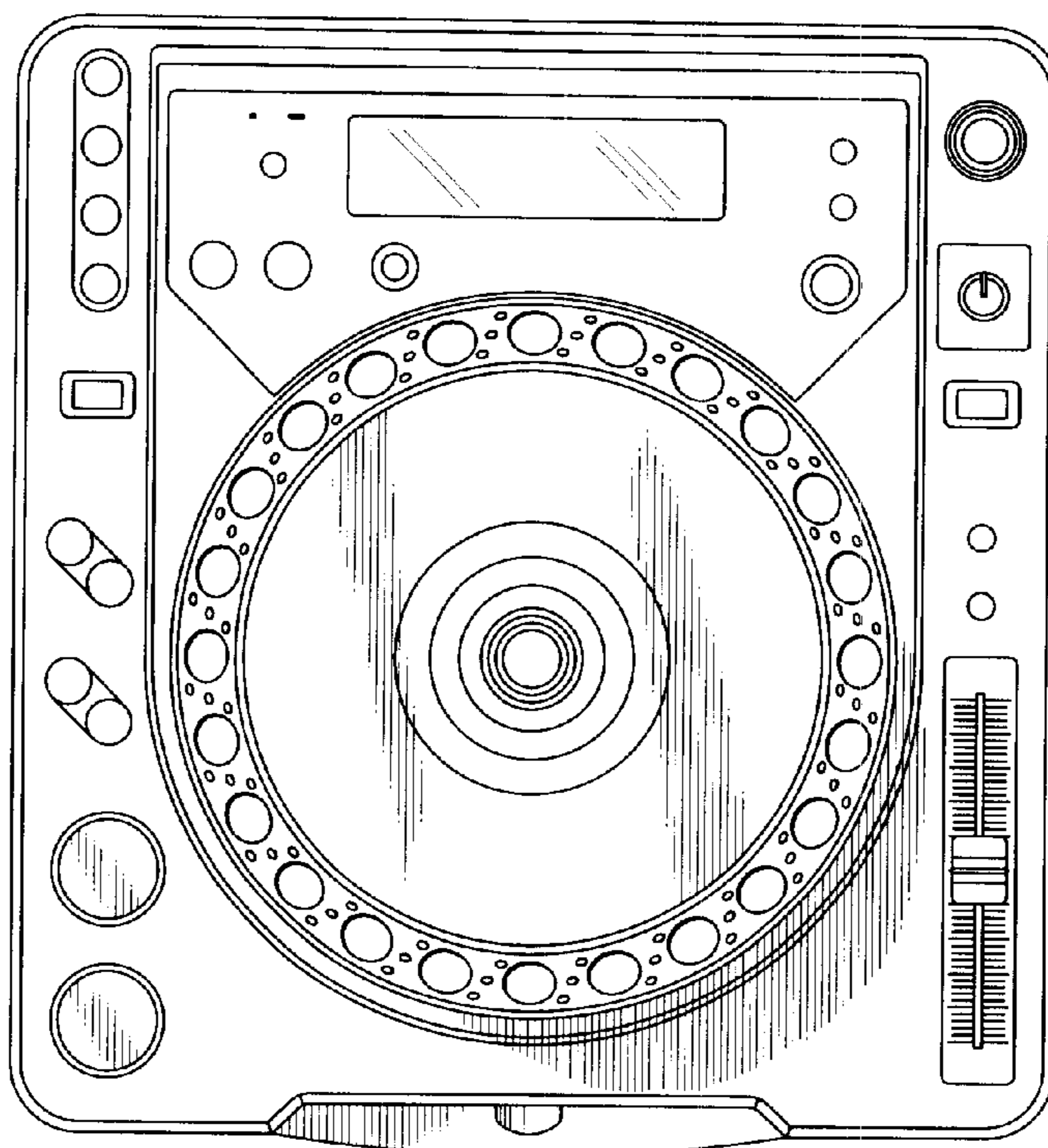
FIG. 5 is a right side elevational view thereof;

FIG. 6 is a left side elevational view thereof;

FIG. 7 is a perspective view of the top front and right side thereof; and,

FIG. 8 is a perspective view similar to FIG. 7 with the power turned on.

1 Claim, 5 Drawing Sheets



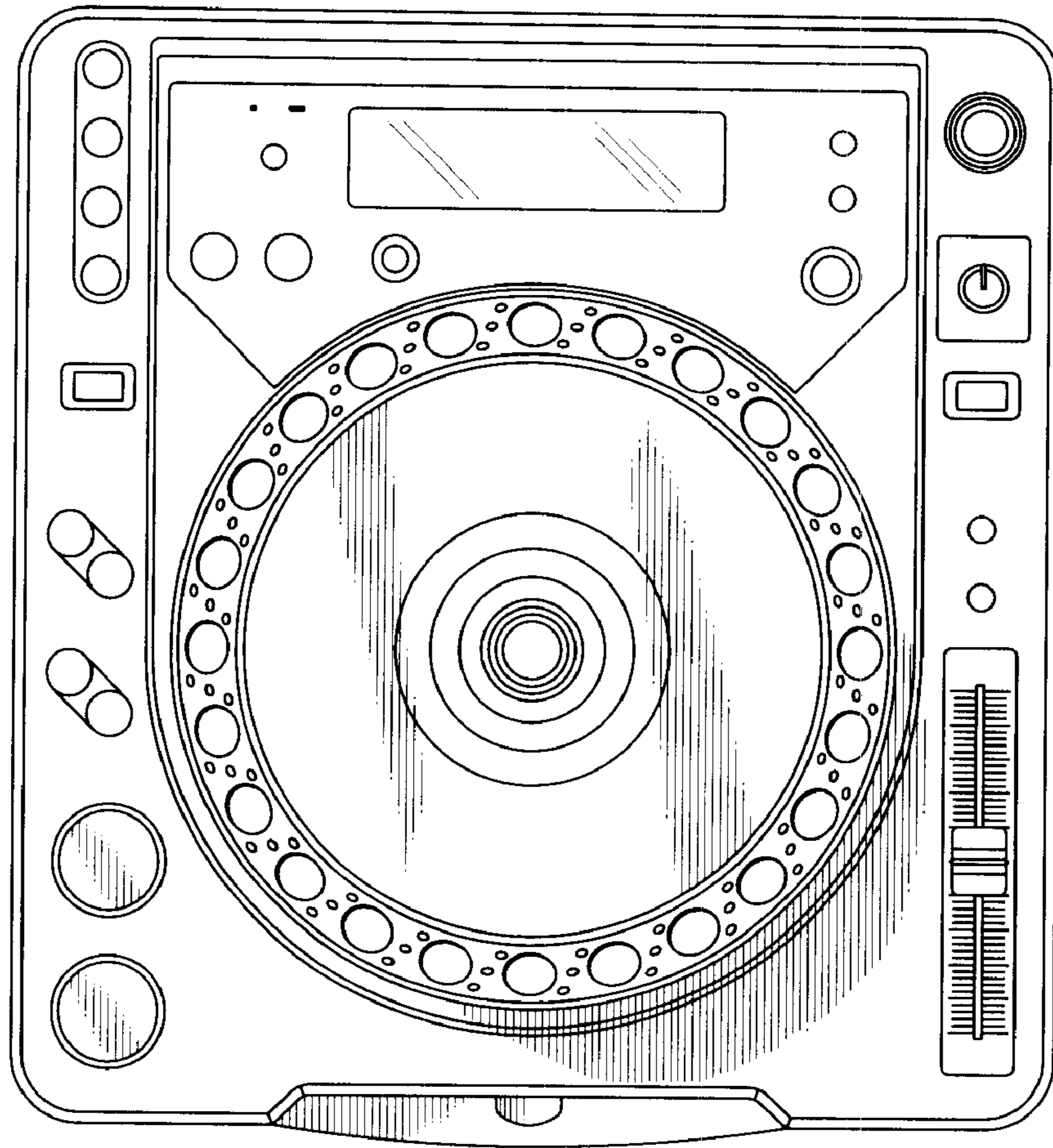


FIG. 1

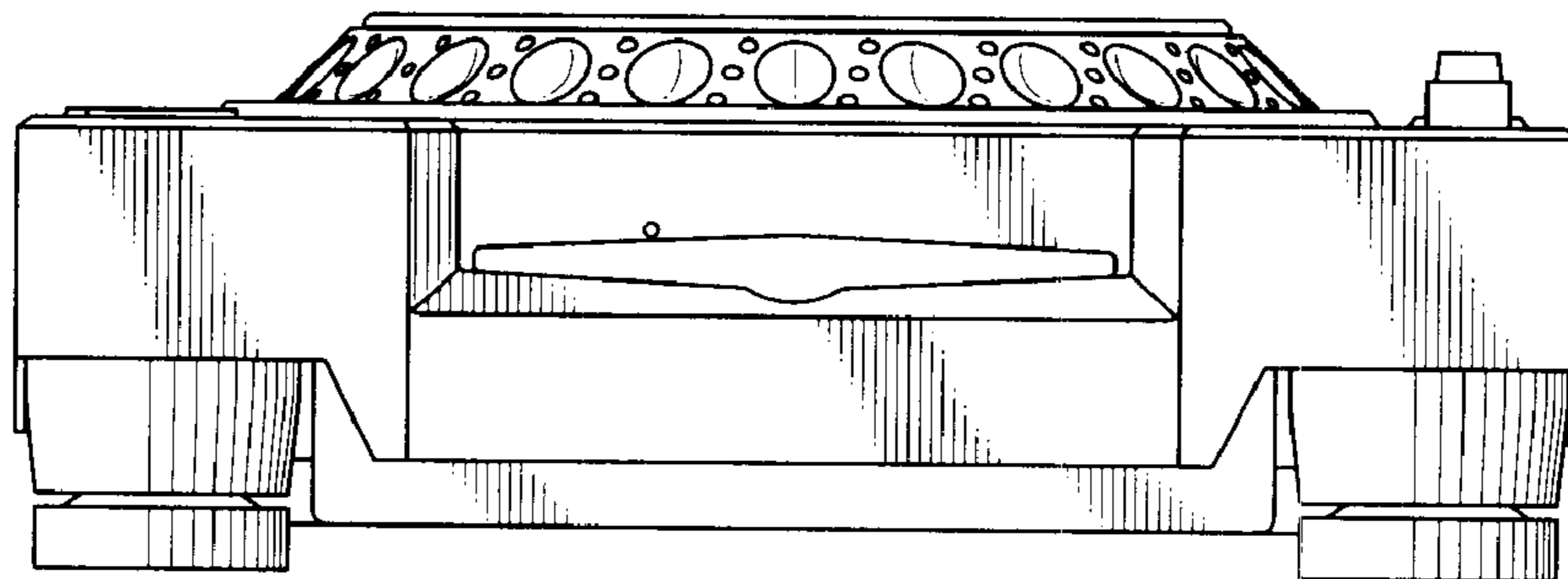


FIG. 2

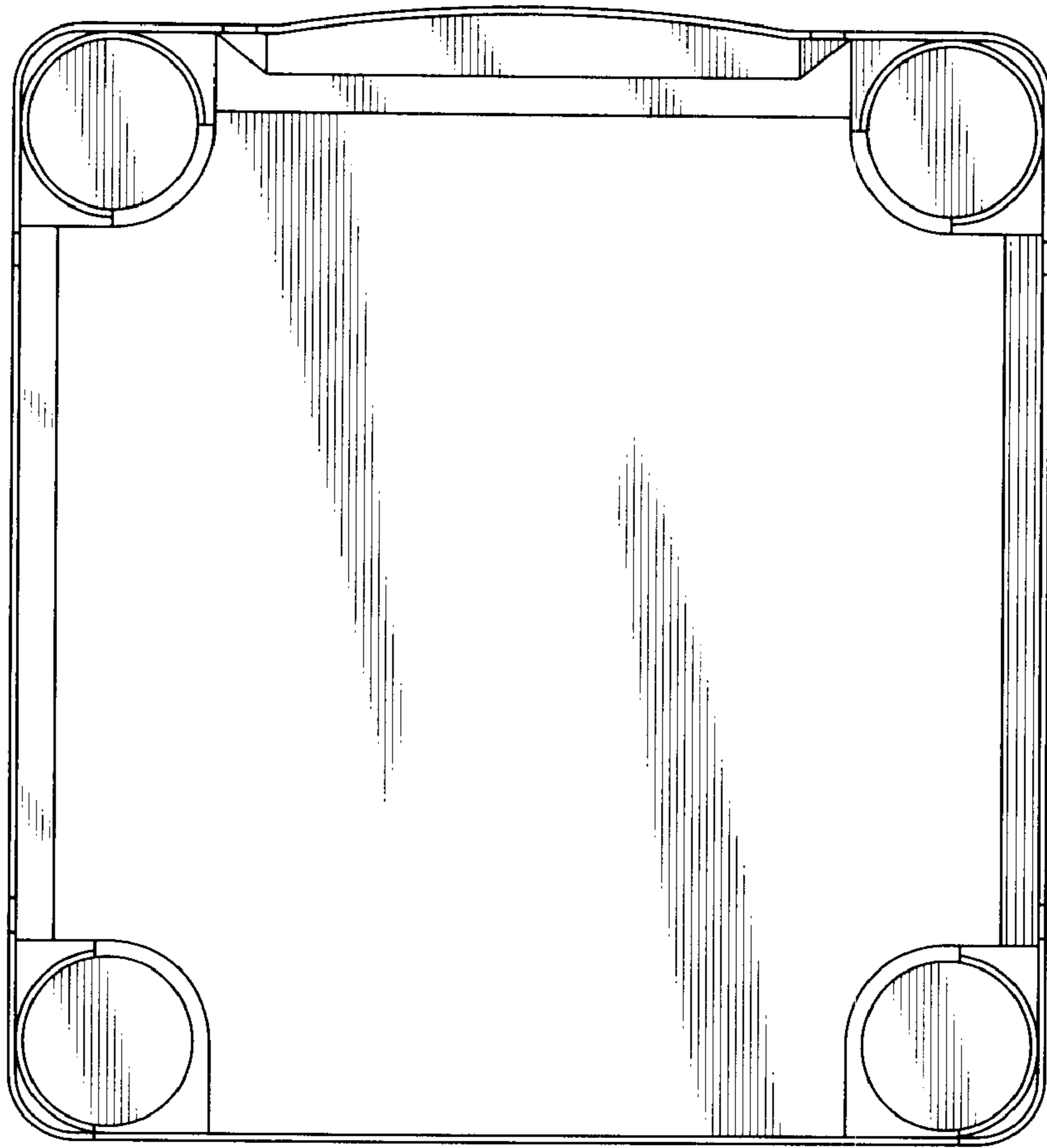


FIG. 3

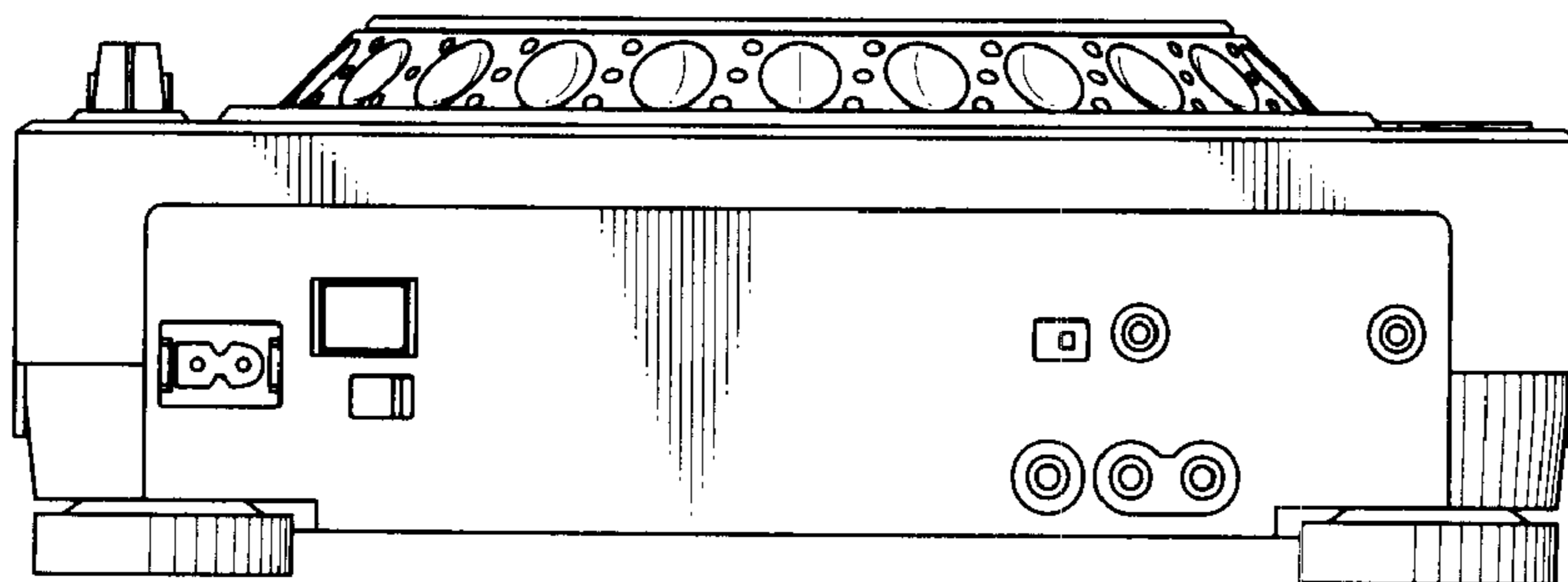


FIG. 4

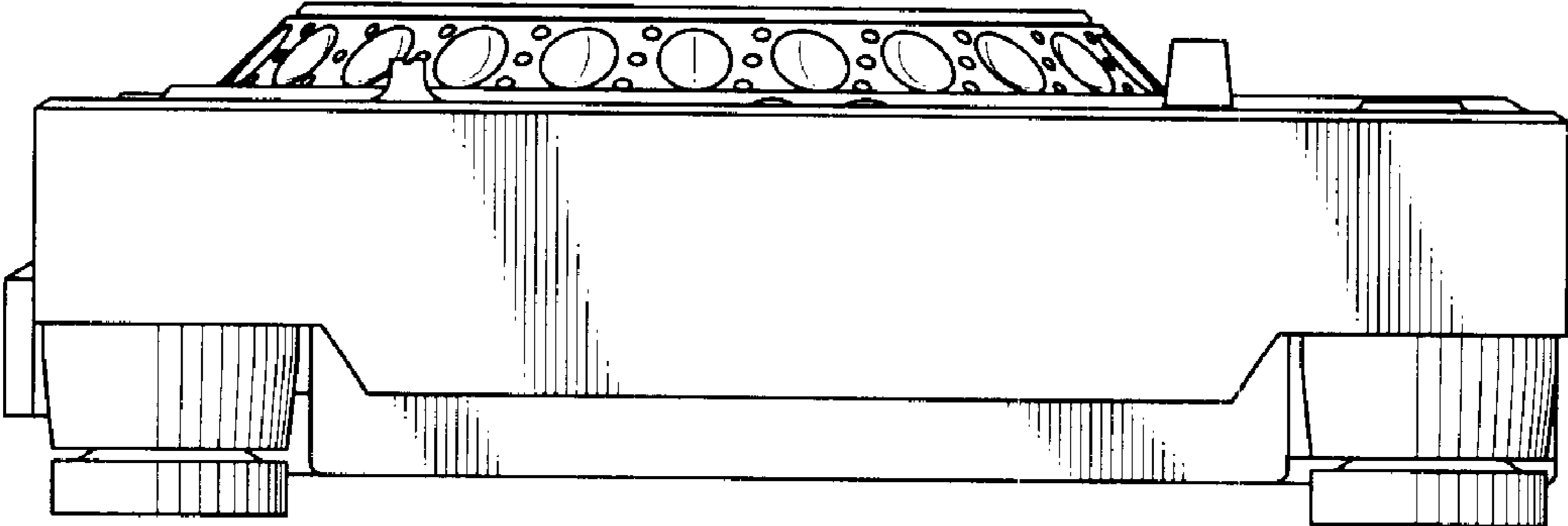


FIG. 5

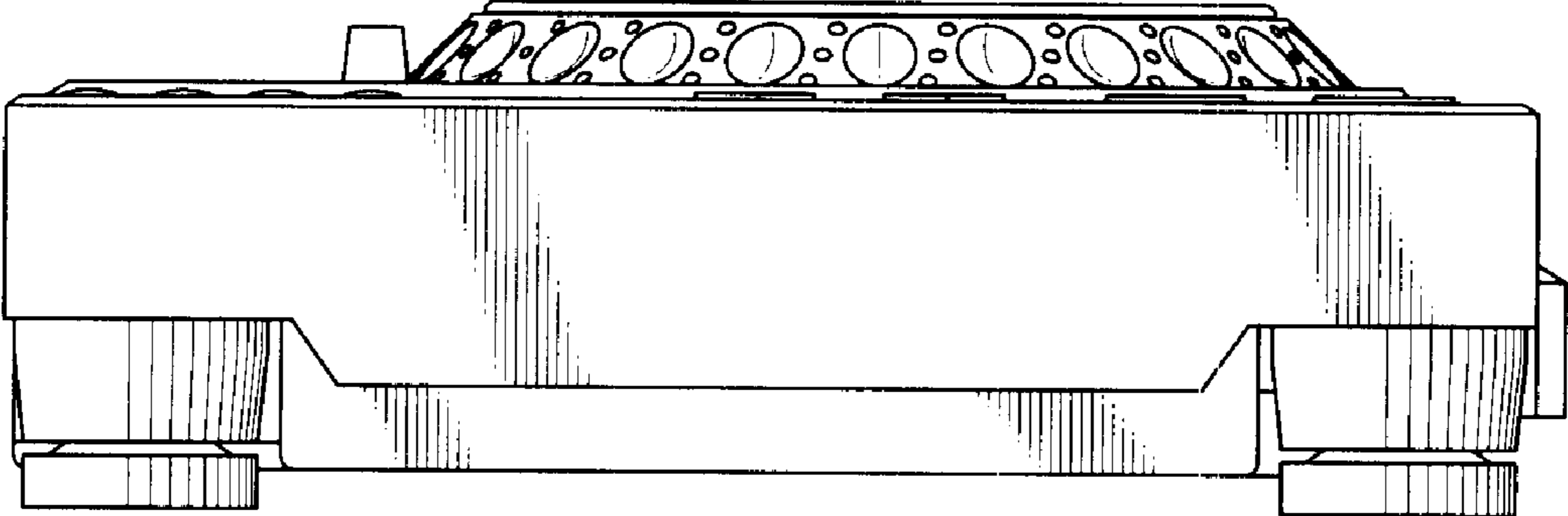


FIG. 6

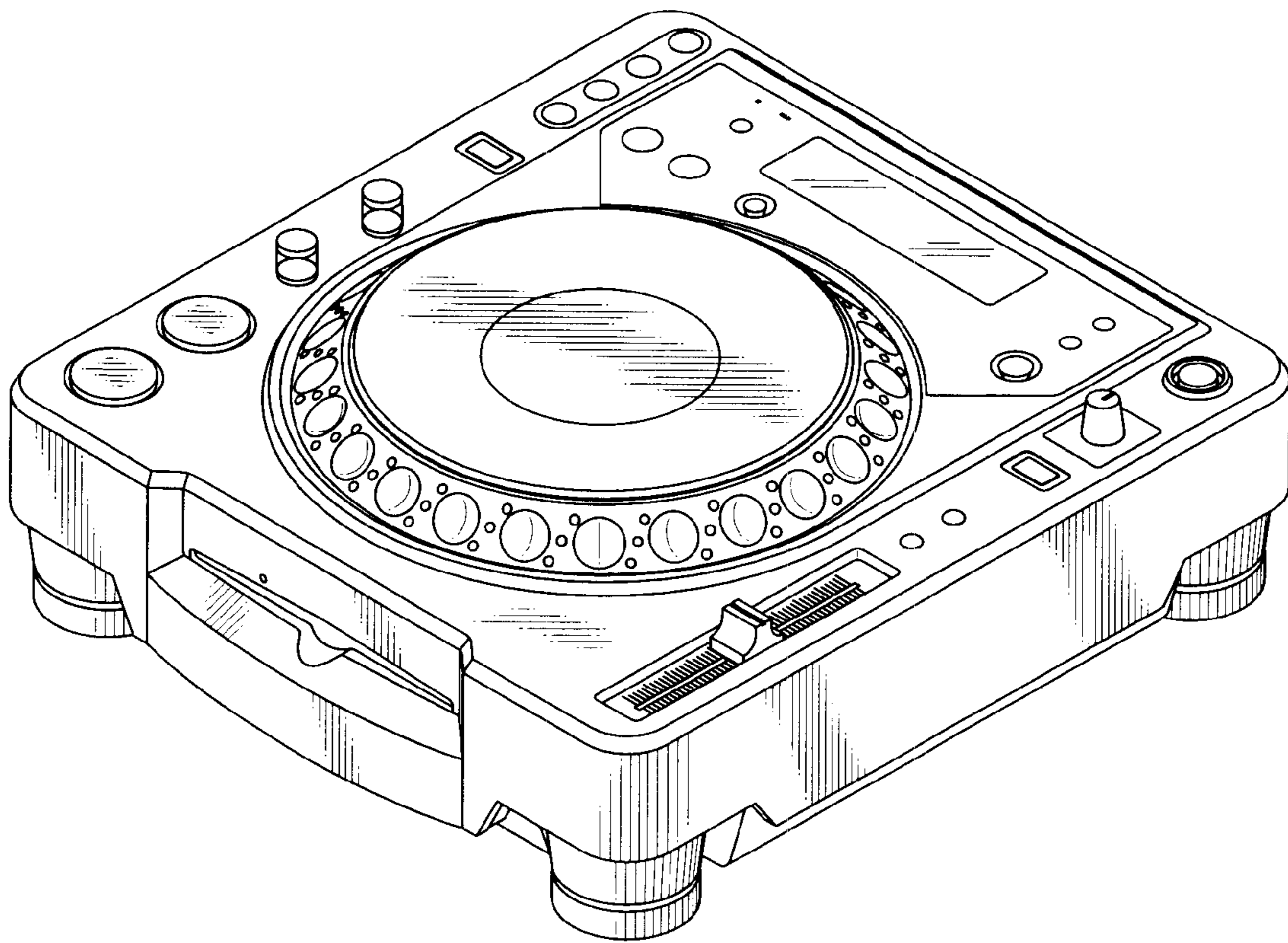


FIG. 7

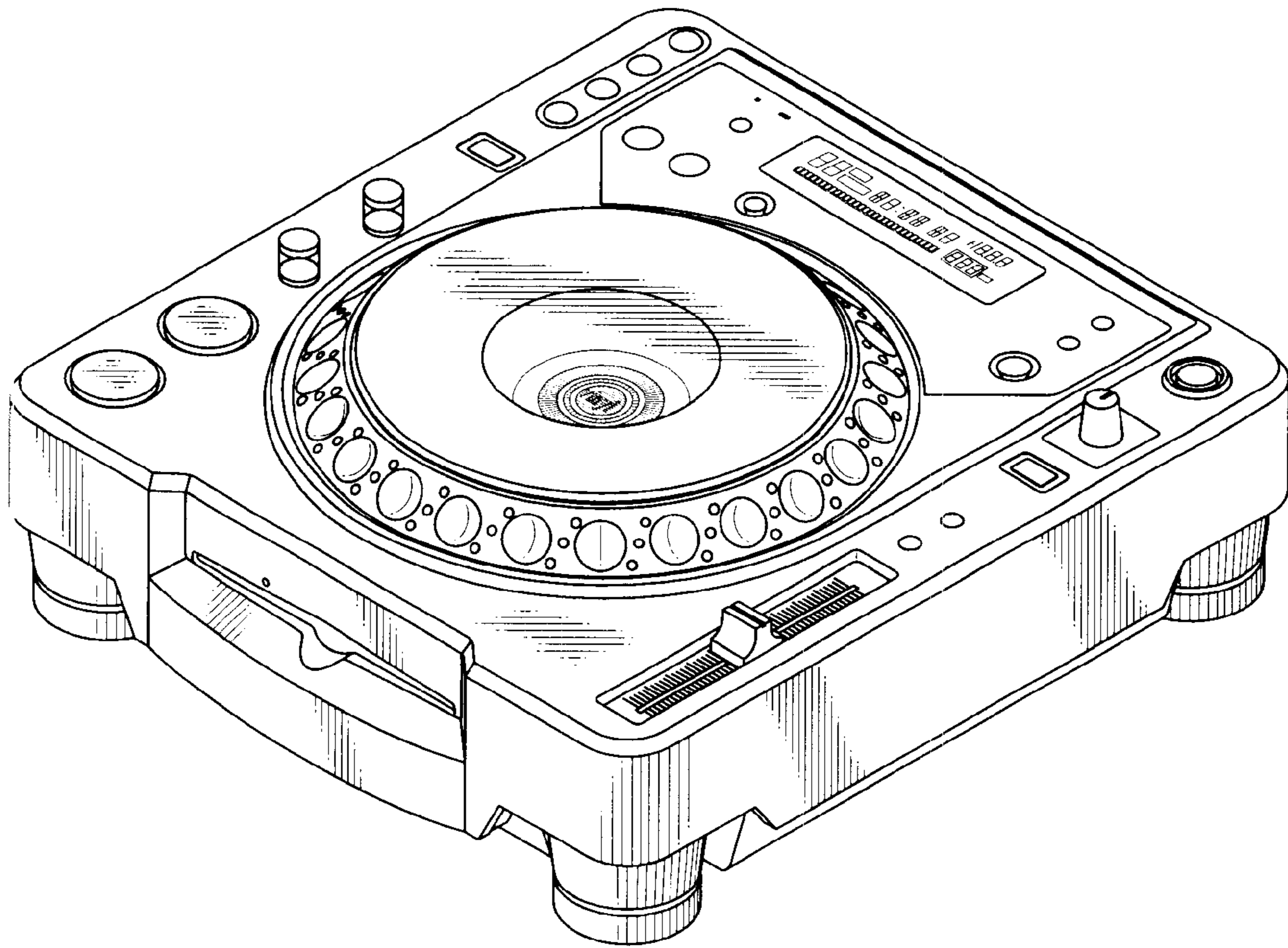


FIG. 8