



US00D512705S

(12) **United States Design Patent**
Bhavnani

(10) **Patent No.:** **US D512,705 S**

(45) **Date of Patent:** **** Dec. 13, 2005**

(54) **TELEPHONE**

(75) **Inventor:** **Dilip Bhavnani**, Beverly Hills, CA (US)

(73) **Assignee:** **Sun Coast Merchandise Corp.**, Commerce, CA (US)

(**) **Term:** **14 Years**

(21) **Appl. No.:** **29/204,368**

(22) **Filed:** **Apr. 27, 2004**

(51) **LOC (6) Cl.** **14-03**

(52) **U.S. Cl.** **D14/151**

(58) **Field of Search** D14/149–151,
D14/147–148, 251–253, 144, 143, 130,
329, 330, 434, 140, 142; 379/419, 428.01–428.04,
440; D13/107, 108; D21/517

(56) **References Cited**

U.S. PATENT DOCUMENTS

D284,003 S	*	5/1986	Tamura	D14/142
D287,850 S	*	1/1987	Marshall	D14/151
D298,239 S	*	10/1988	Hirose et al.	D14/151
D303,386 S	*	9/1989	Iino	D14/142
D306,730 S	*	3/1990	Sugano et al.	D14/151
D307,426 S	*	4/1990	Ohta et al.	D14/142
D308,059 S	*	5/1990	Desbarats	D14/151
D309,138 S	*	7/1990	Azpeitia Ortiz de Arri	D14/151
D319,054 S	*	8/1991	Appleby	D14/151
D319,235 S	*	8/1991	Sato	D14/151
D319,826 S	*	9/1991	Hung	D14/142
D321,872 S	*	11/1991	Ando	D14/151
D322,786 S	*	12/1991	Wu	D14/151

D339,342 S	*	9/1993	Chan	D14/149
D342,252 S	*	12/1993	Akatsu et al.	D14/151
D344,517 S	*	2/1994	Toh et al.	D14/151
D345,557 S	*	3/1994	Akatsu et al.	D14/151
D406,842 S	*	3/1999	Zeitman	D14/151
D418,834 S	*	1/2000	Zeitman	D14/151
D426,535 S	*	6/2000	Zeitman	D14/151
D426,822 S	*	6/2000	Jauregui et al.	D14/151
D449,827 S	*	10/2001	Calle Aleman et al.	D14/151
D471,884 S	*	3/2003	Hinds et al.	D14/151
2004/0234071 A1	*	11/2004	Bae et al.	379/419

* cited by examiner

Primary Examiner—Jeffrey Asch

(74) *Attorney, Agent, or Firm*—Brian Carpenter

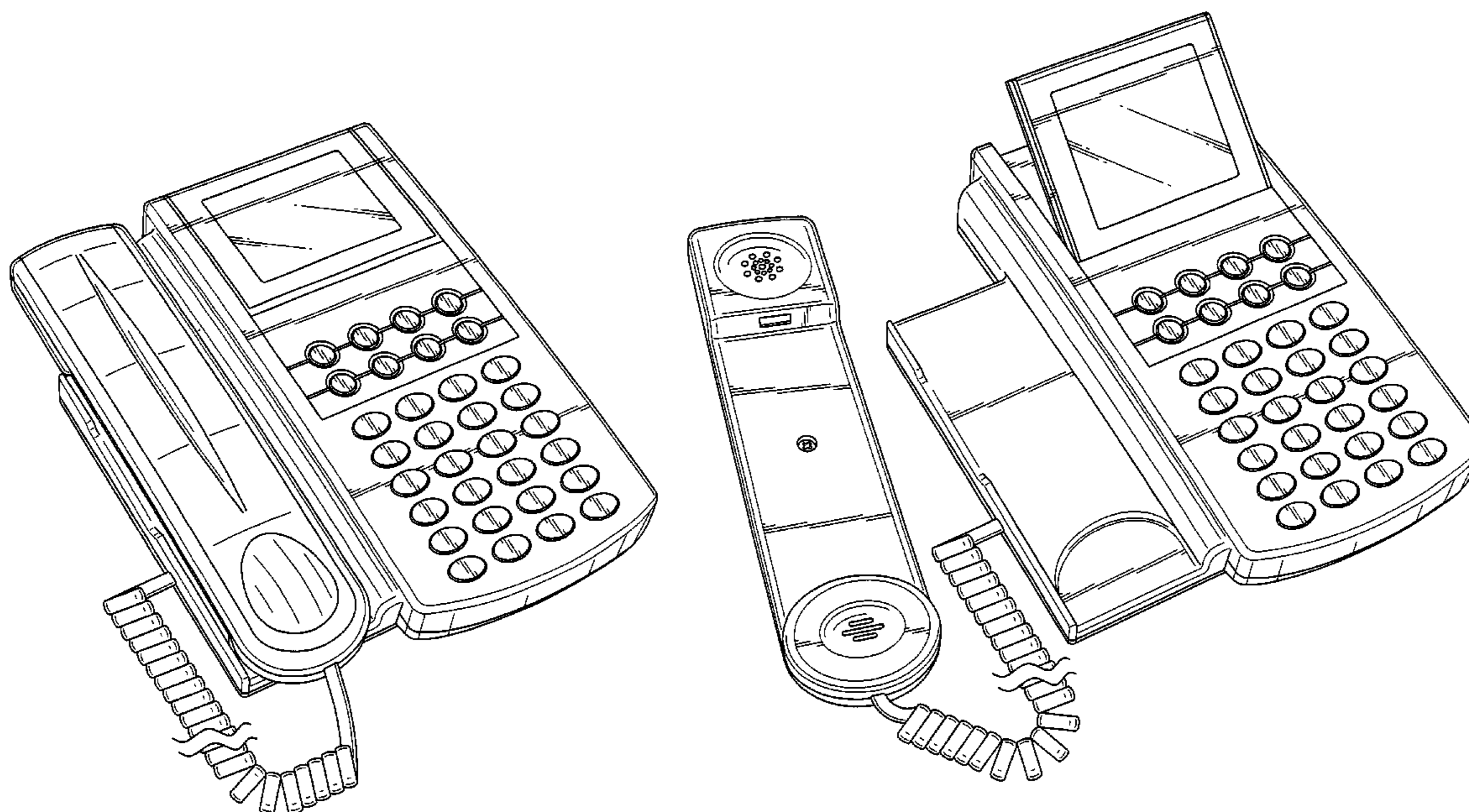
(57) **CLAIM**

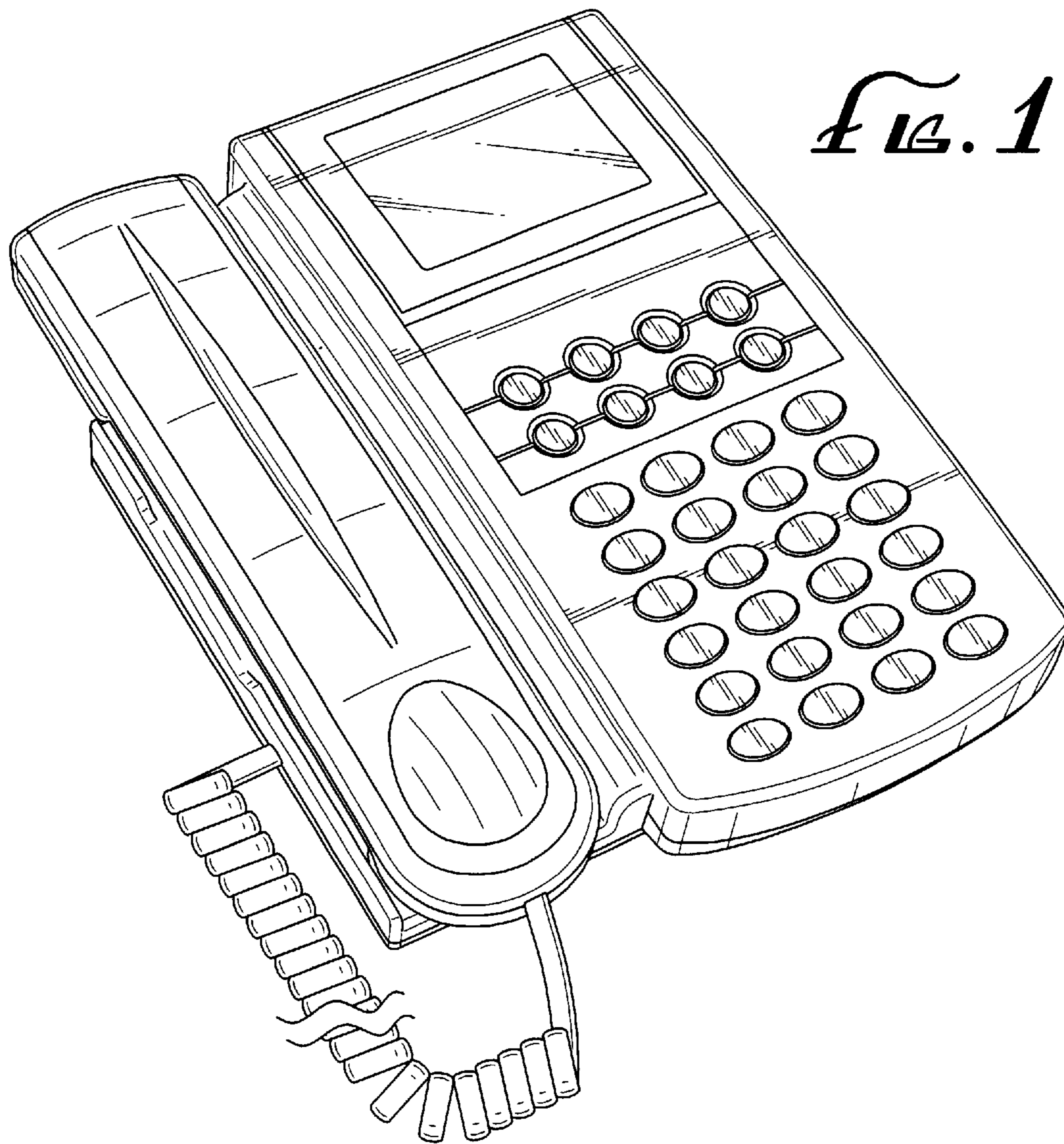
The ornamental design for a telephone, as shown and described.

DESCRIPTION

FIG. 1 is a top left front perspective view of a telephone; FIG. 2 is a front elevation view of the telephone of FIG. 1; FIG. 3 is a top plan view of the telephone of FIG. 1; FIG. 4 is a left side elevation view of the telephone of FIG. 1; FIG. 5 is a right side elevation view of the telephone of FIG. 1; FIG. 6 is a rear view of the telephone of FIG. 1; FIG. 7 is a bottom plan view of the telephone of FIG. 1; FIG. 8 is a right side elevation view of the telephone of FIG. 1 in an alternative position; and, FIG. 9 is a top left front perspective of the telephone of FIG. 1 in an alternative position.

1 Claim, 5 Drawing Sheets





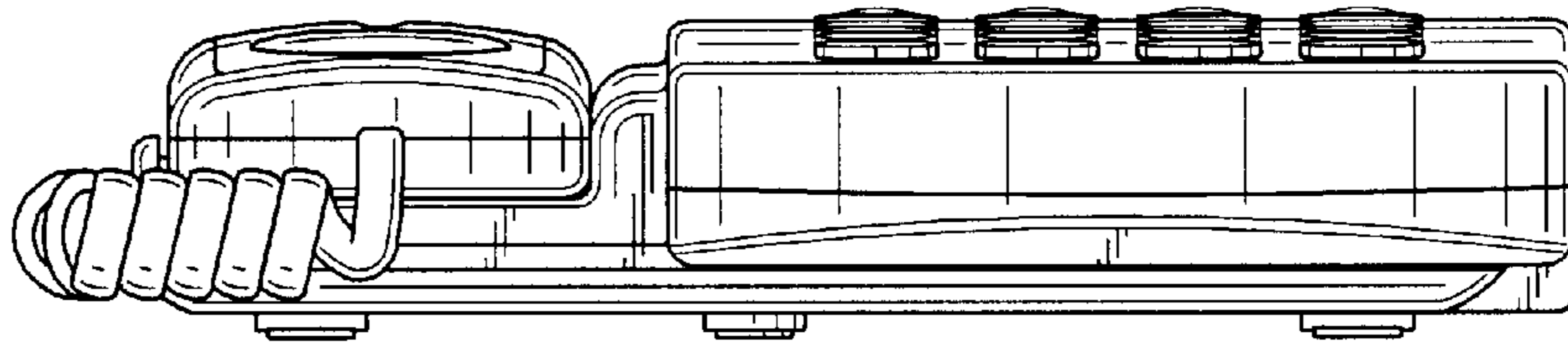


FIG. 2

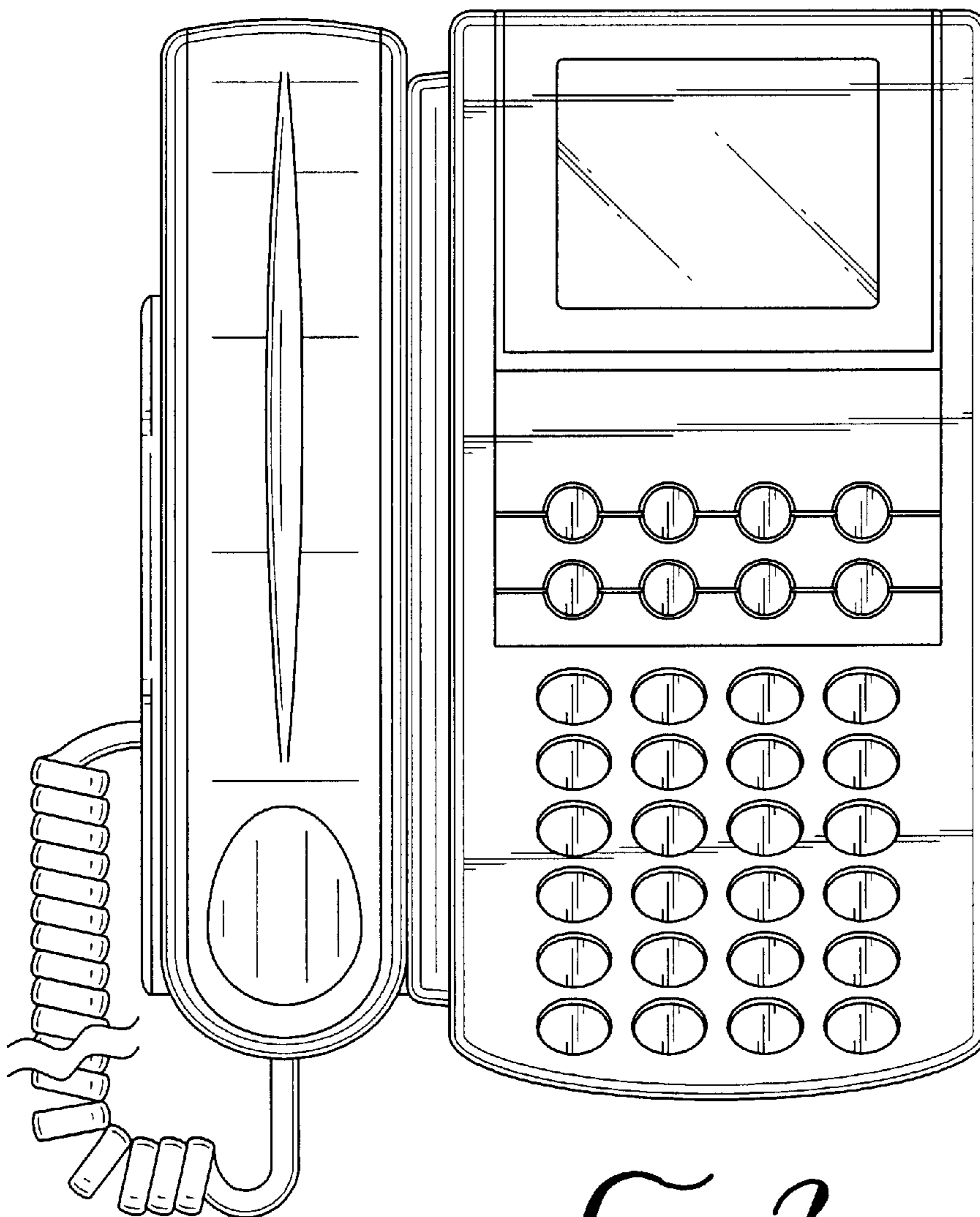


FIG. 3

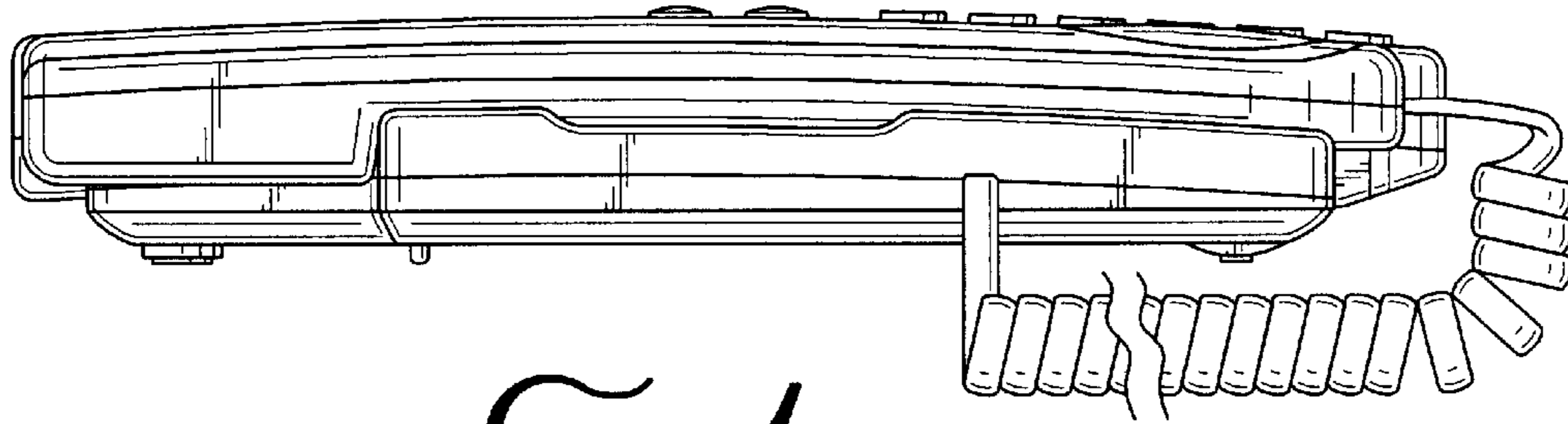


FIG. 4

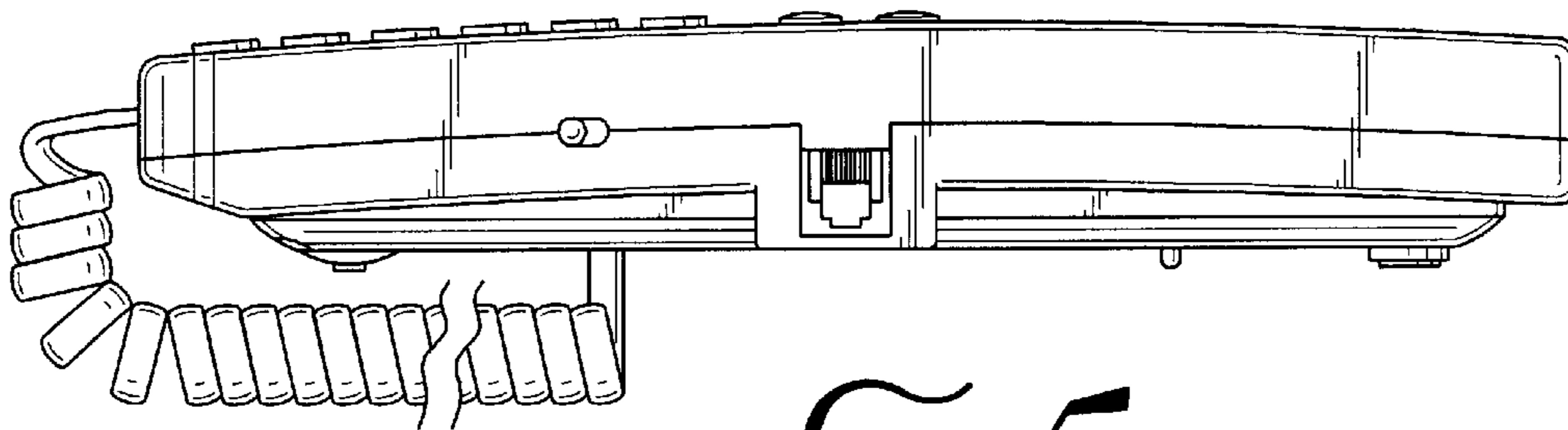


FIG. 5

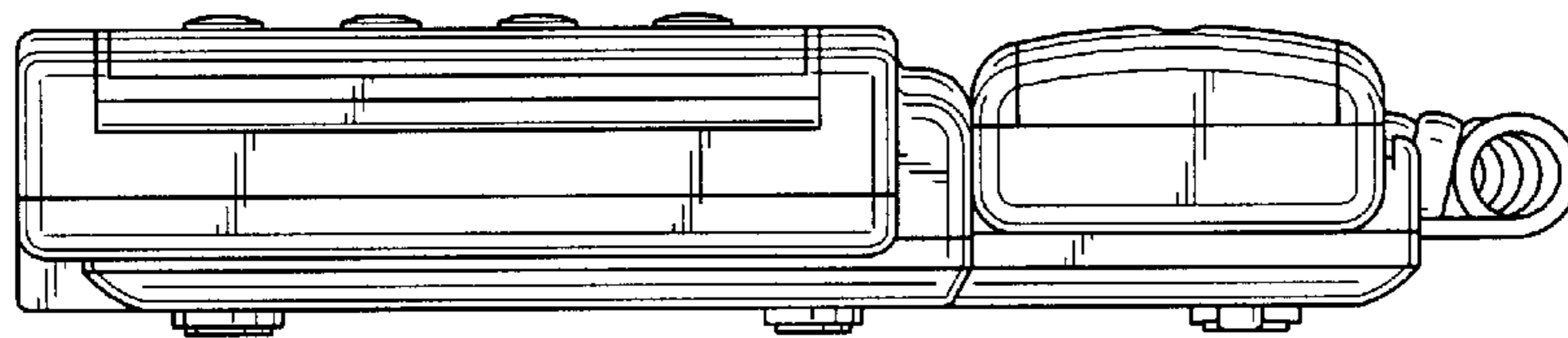


FIG. 6

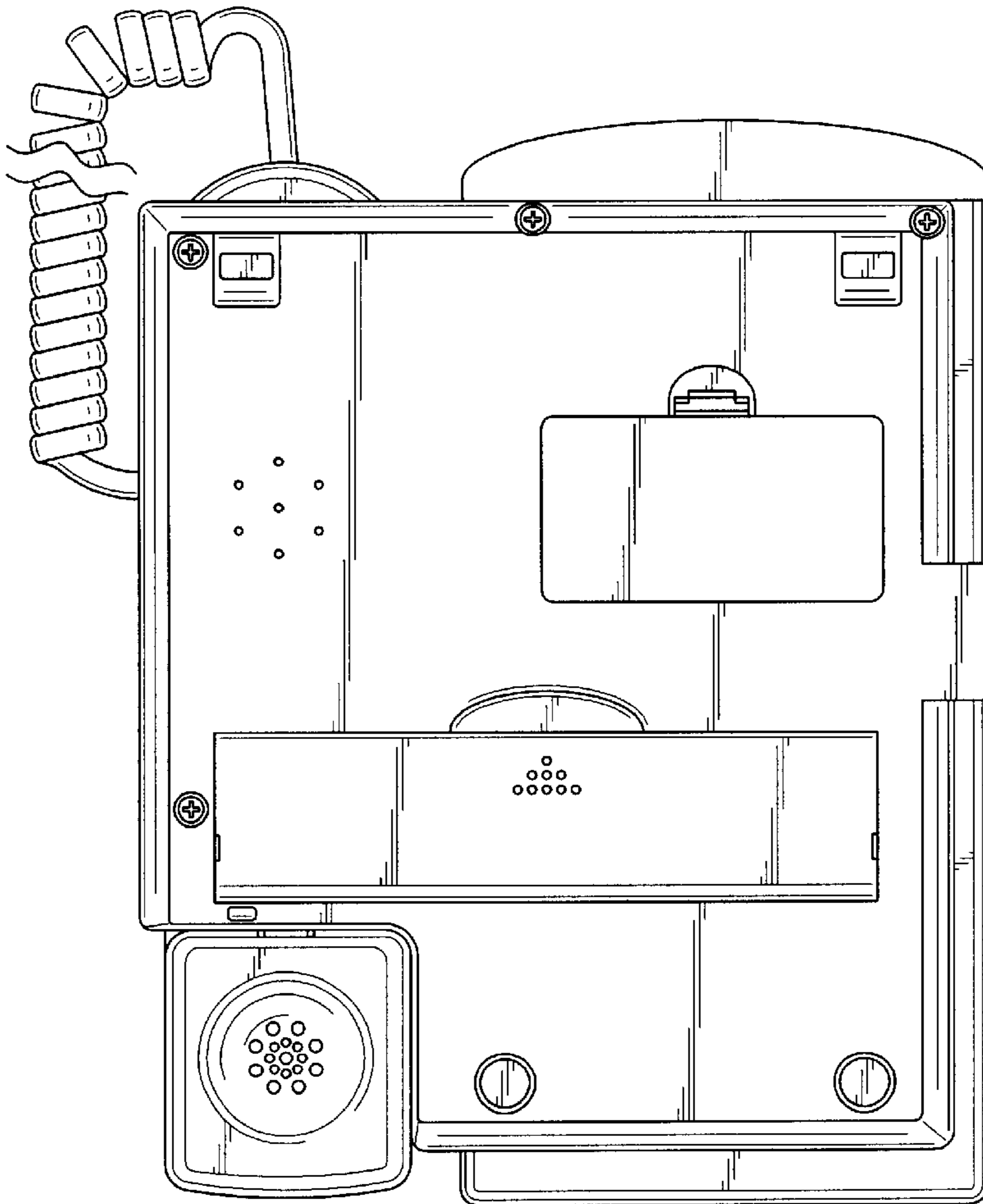


FIG. 7

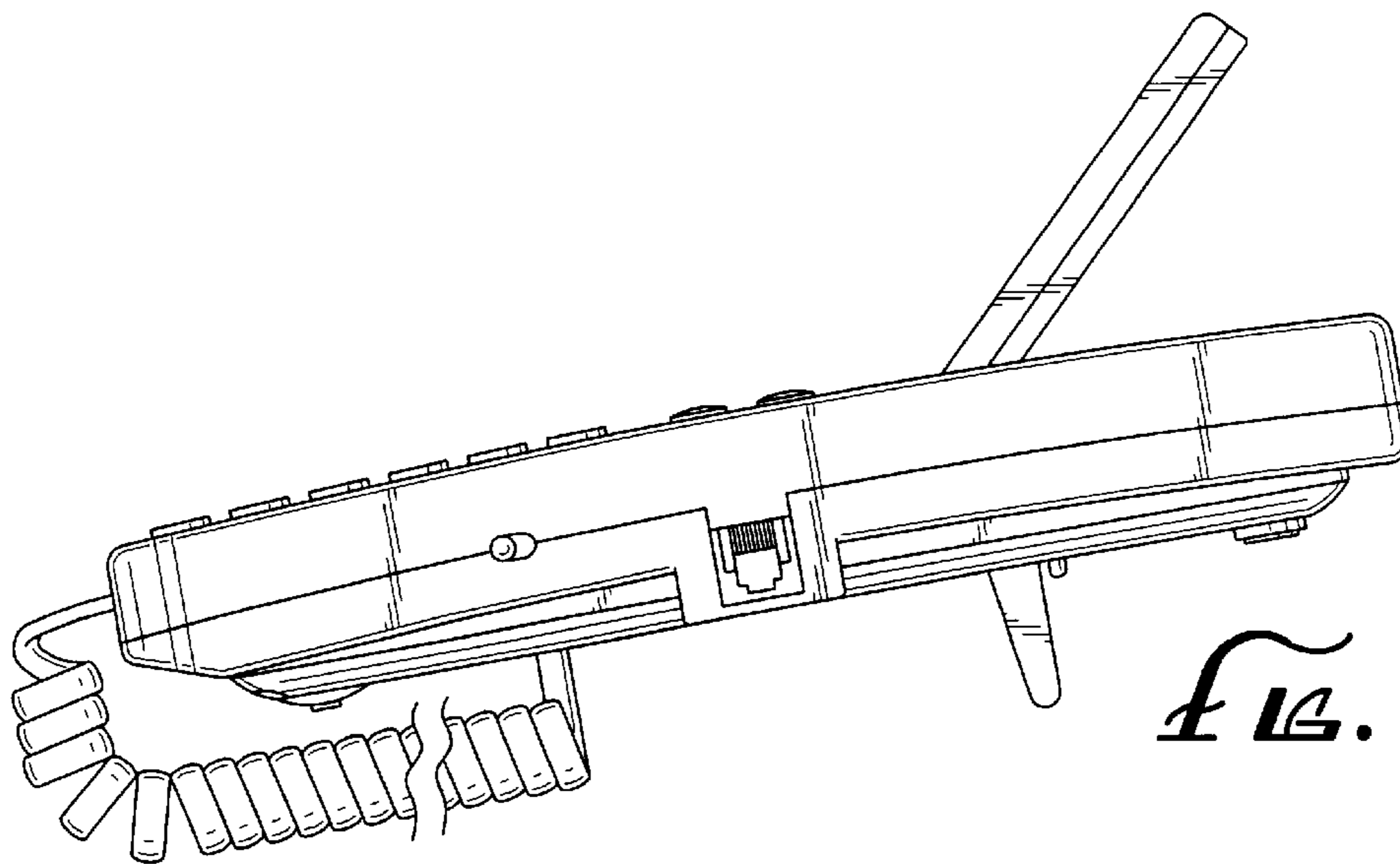


FIG. 8

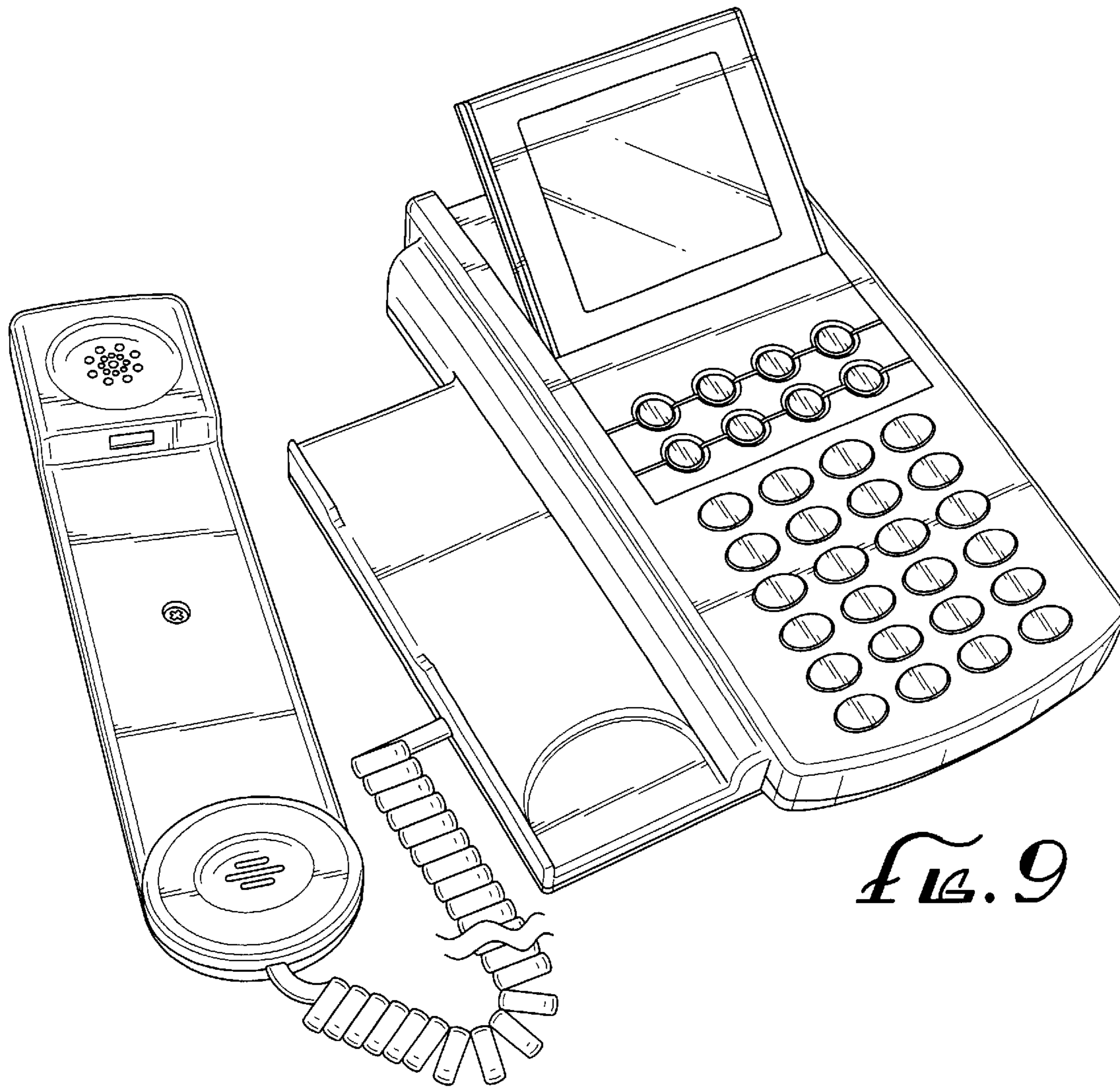


FIG. 9