



US00D512704S

(12) **United States Design Patent** (10) **Patent No.:** **US D512,704 S**
Ron (45) **Date of Patent:** **** Dec. 13, 2005**

(54) **BASE STATION FOR CELL PHONE, TELEPHONE HANDSET, AND SPEAKER PHONE**

(75) Inventor: **Gil Ron**, Miami, FL (US)

(73) Assignee: **Advancetec**, Miami, FL (US)

(**) Term: **14 Years**

(21) Appl. No.: **29/205,204**

(22) Filed: **May 12, 2004**

(51) **LOC (6) Cl.** **14-03**

(52) **U.S. Cl.** **D14/149; D14/145**

(58) **Field of Search** D14/149–151, D14/147–148, 251–253, 144, 143, 130, 329, 330, 434, 140, 142; 379/419, 428.01–428.04, 440; D13/107, 108; D21/517

(56) **References Cited**

U.S. PATENT DOCUMENTS

D298,940 S	*	12/1988	Lau	D14/138
D319,061 S	*	8/1991	Powell et al.	D14/240
D349,485 S	*	8/1994	Richards et al.	D13/107
D349,899 S	*	8/1994	Siddoway et al.	D14/151
D352,032 S	*	11/1994	Cowan	D14/151
D354,749 S	*	1/1995	Phillips	D14/151
D354,955 S	*	1/1995	Wicks	D14/151
D358,813 S	*	5/1995	Hellier et al.	D14/149
D364,621 S	*	11/1995	Clarke et al.	D14/149
D367,651 S	*	3/1996	Hellier et al.	D14/149
D388,433 S	*	12/1997	Lepack	D14/149
D388,434 S	*	12/1997	Lepack	D14/149
5,847,541 A	*	12/1998	Hahn	320/111
D405,446 S	*	2/1999	Bhavnani	D14/148
D408,815 S	*	4/1999	Halus et al.	D14/149
D413,118 S	*	8/1999	Waldner	D14/149
D414,489 S	*	9/1999	Voigt et al.	D14/148
D415,490 S	*	10/1999	Chan	D14/149
D440,215 S	*	4/2001	Willison et al.	D14/149
D456,795 S	*	5/2002	Hughes et al.	D14/149

D469,074 S	*	1/2003	Muensch et al.	D14/149
D471,187 S	*	3/2003	Song	D14/253
D496,652 S	*	9/2004	Fahrendorff	D14/240
D503,700 S	*	4/2005	Mamero	D14/149
2003/0012367 A1	*	1/2003	Seo	379/419

* cited by examiner

Primary Examiner—Jeffrey Asch

(74) *Attorney, Agent, or Firm*—Lowe, Hauptman & Berner, LLP

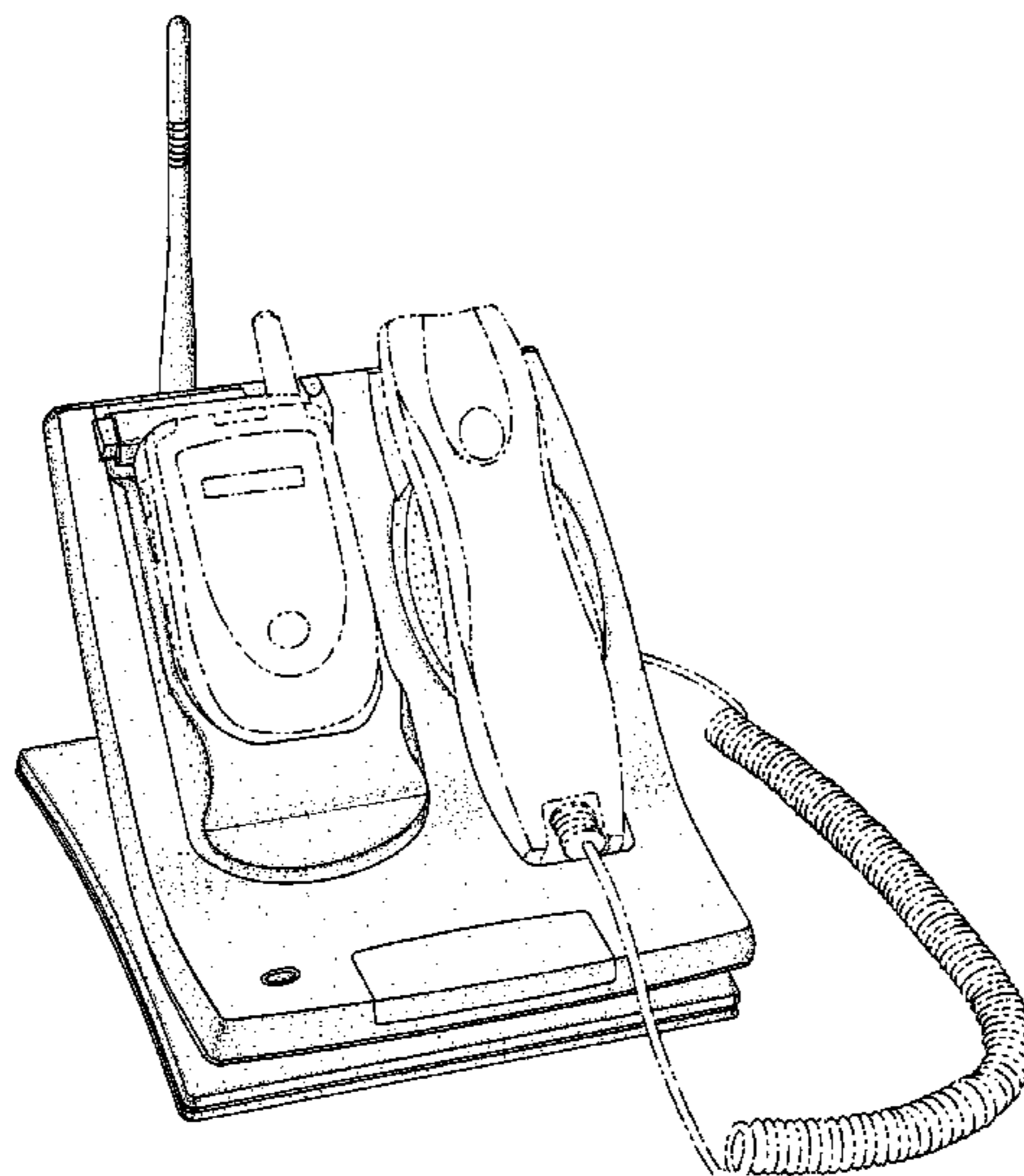
(57) **CLAIM**

The ornamental design for a base station for cell phone, telephone handset, and speaker phone, as shown and described.

DESCRIPTION

FIG. 1 is a front and side perspective view of a base station for cell phone, telephone handset, and speaker phone according to my design, wherein the cell phone, handset, and a cord between the handset and base station, as shown by phantom lines, do not form a part of the design, and the cell phone and handset are shown in situ on the base station; FIG. 2 is a front and side perspective view of the base station for cell phone, telephone handset, and speaker phone according to my design of FIG. 1, wherein the cell phone and handset are removed from the base station, and the handset and cord between the base station are shown by phantom lines and do not form a part of the design, and the handset is shown to the right side of the base station; FIG. 3 is a front and side perspective view of the base station of FIG. 1; FIG. 4 is a top view of the base station of FIG. 1; FIG. 5 is a front view of the base station of FIG. 1; FIG. 6 is a right side view of the base station of FIG. 1; FIG. 7 is a left side view of the base station of FIG. 1; FIG. 8 is a back view of the base station of FIG. 1; and, FIG. 9 is a bottom view of the base station of FIG. 1.

1 Claim, 9 Drawing Sheets



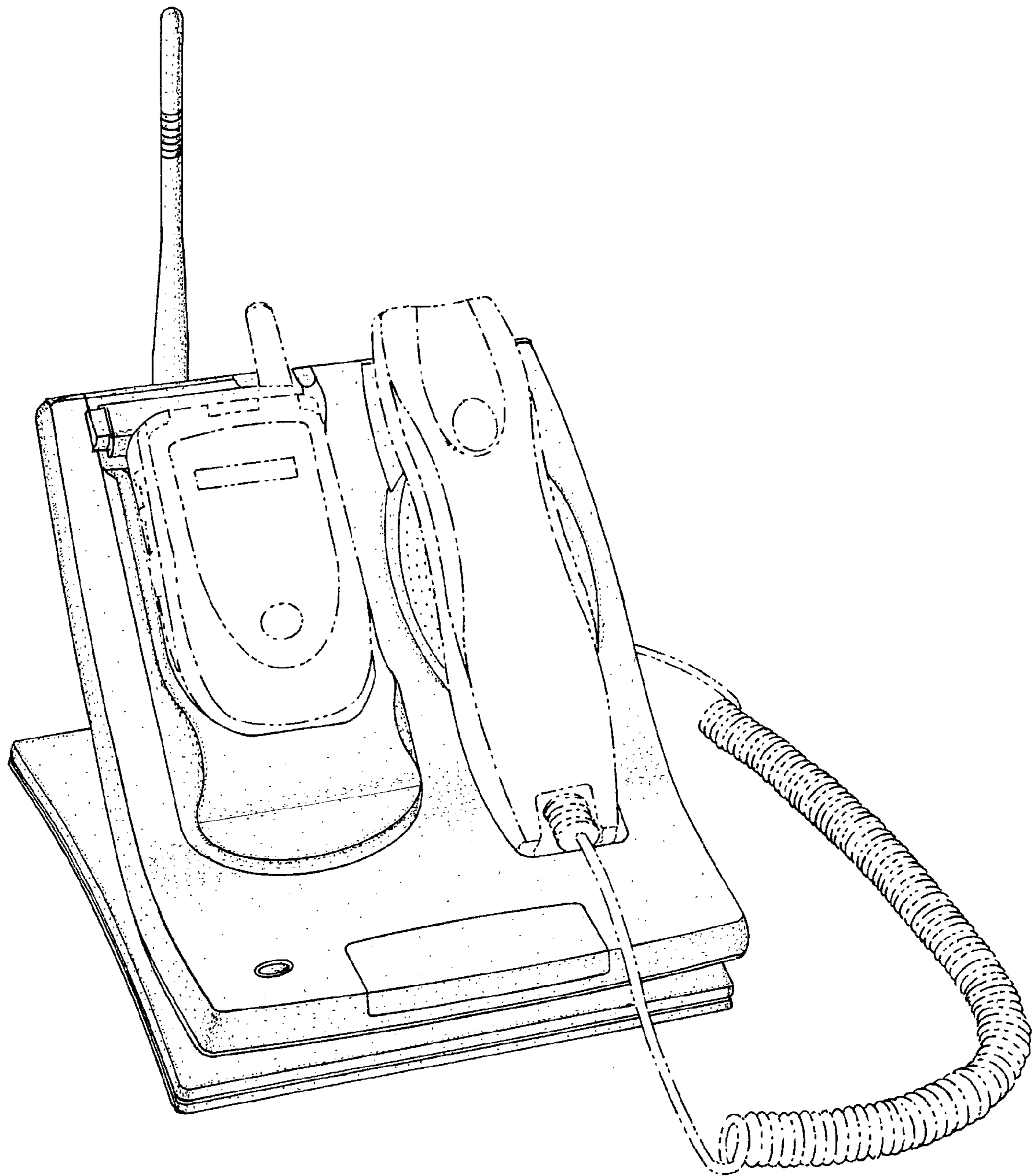


FIG. 1

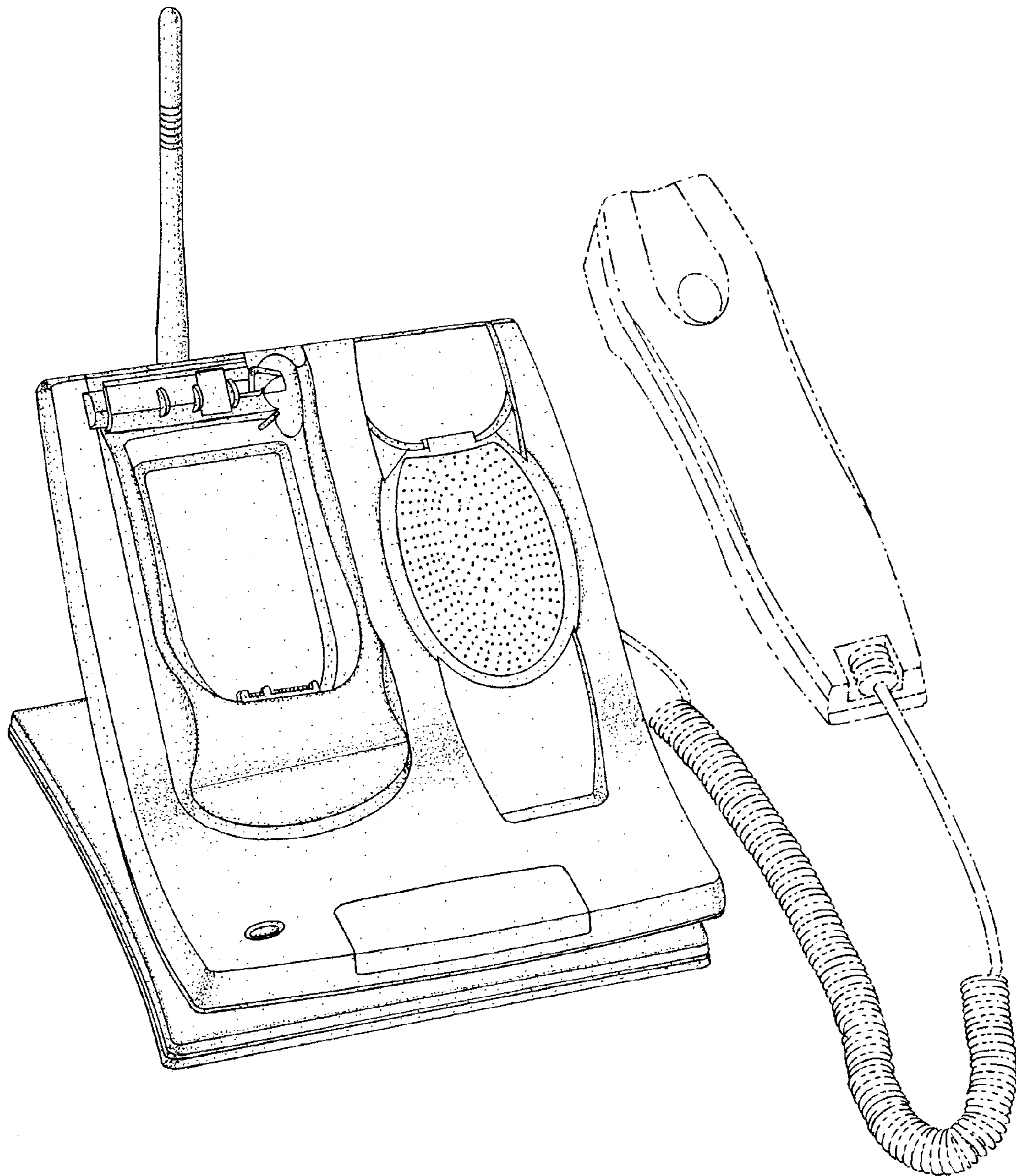


FIG. 2

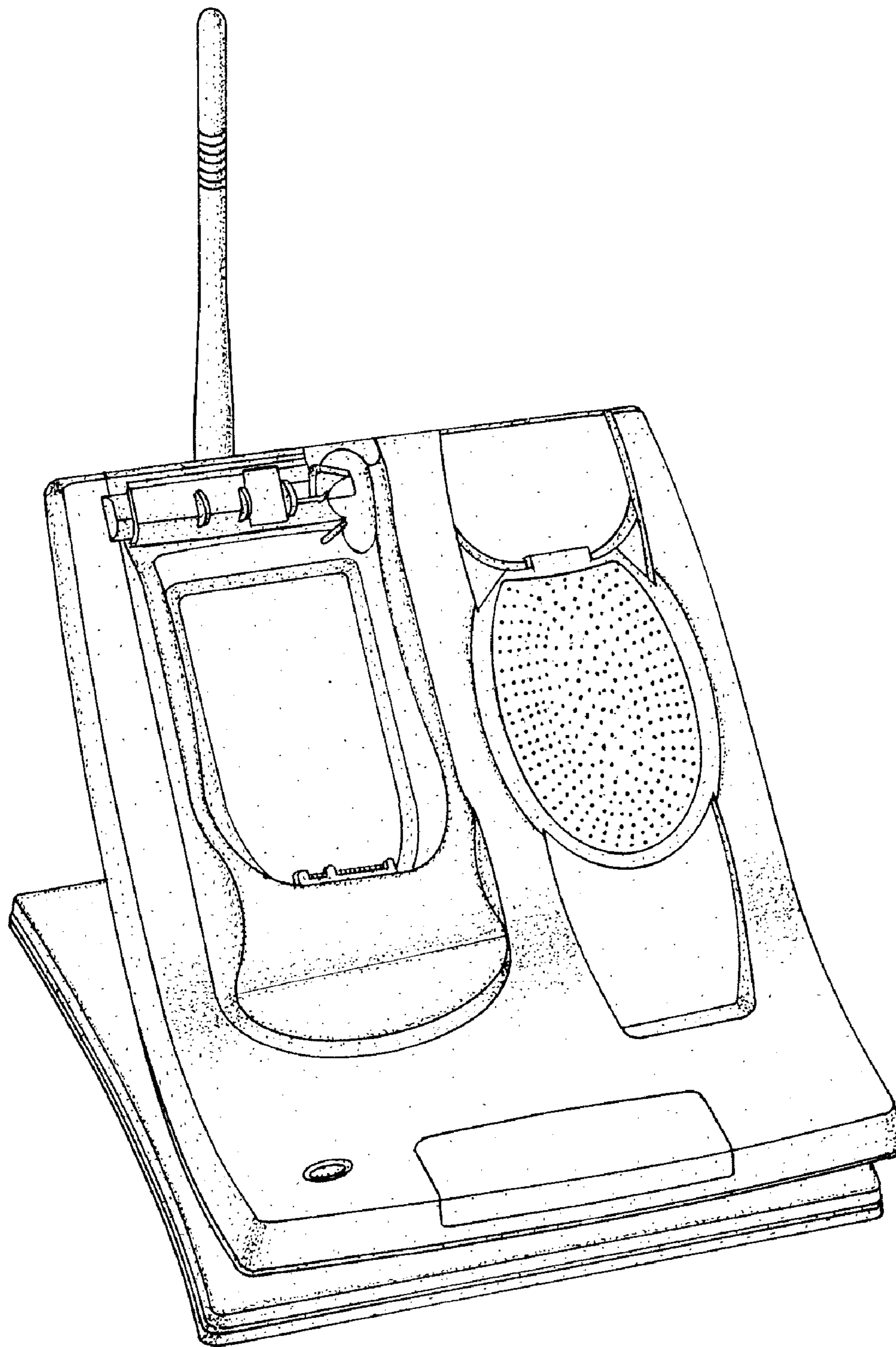


FIG. 3

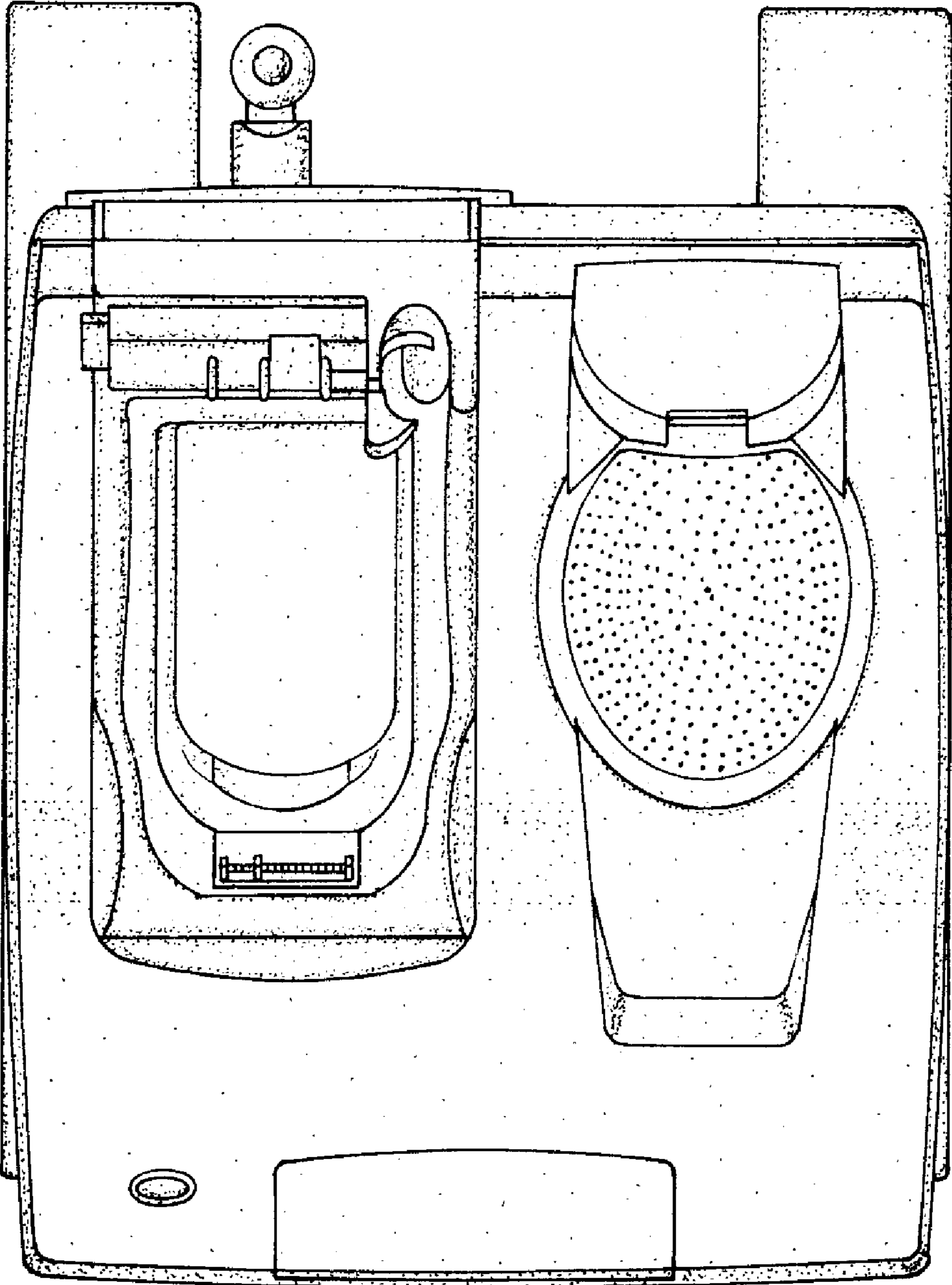


FIG. 4

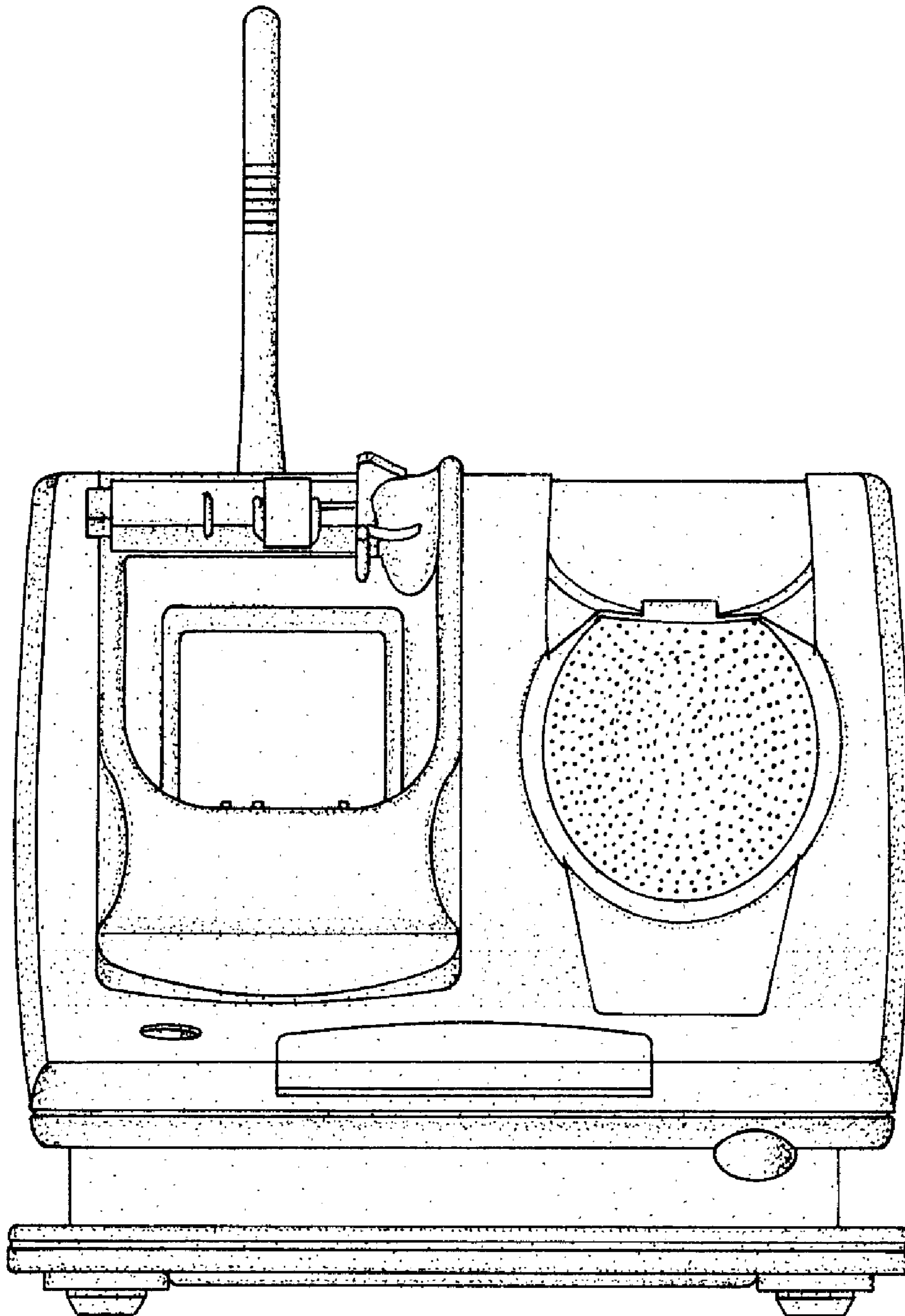


FIG. 5

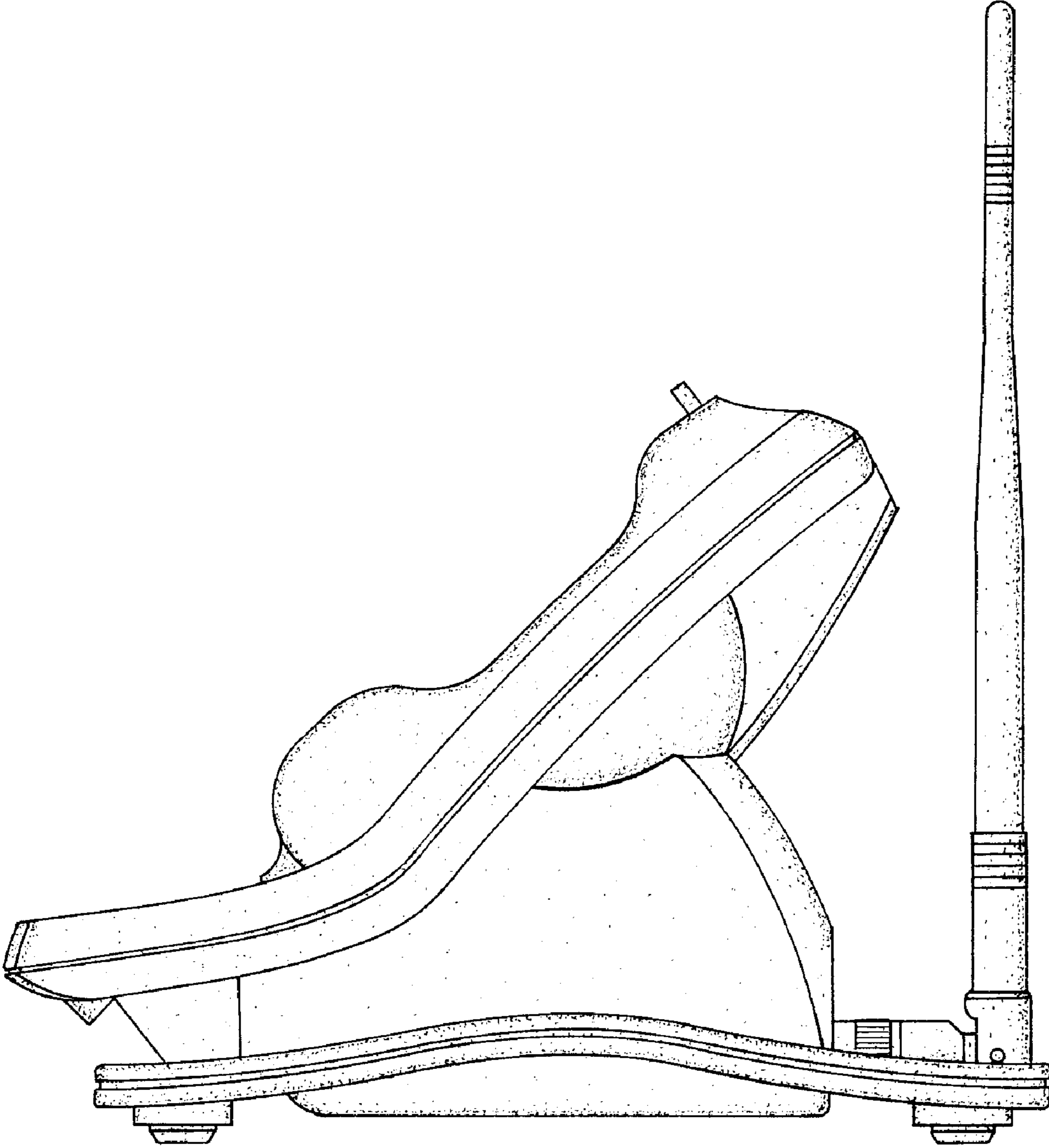


FIG. 6

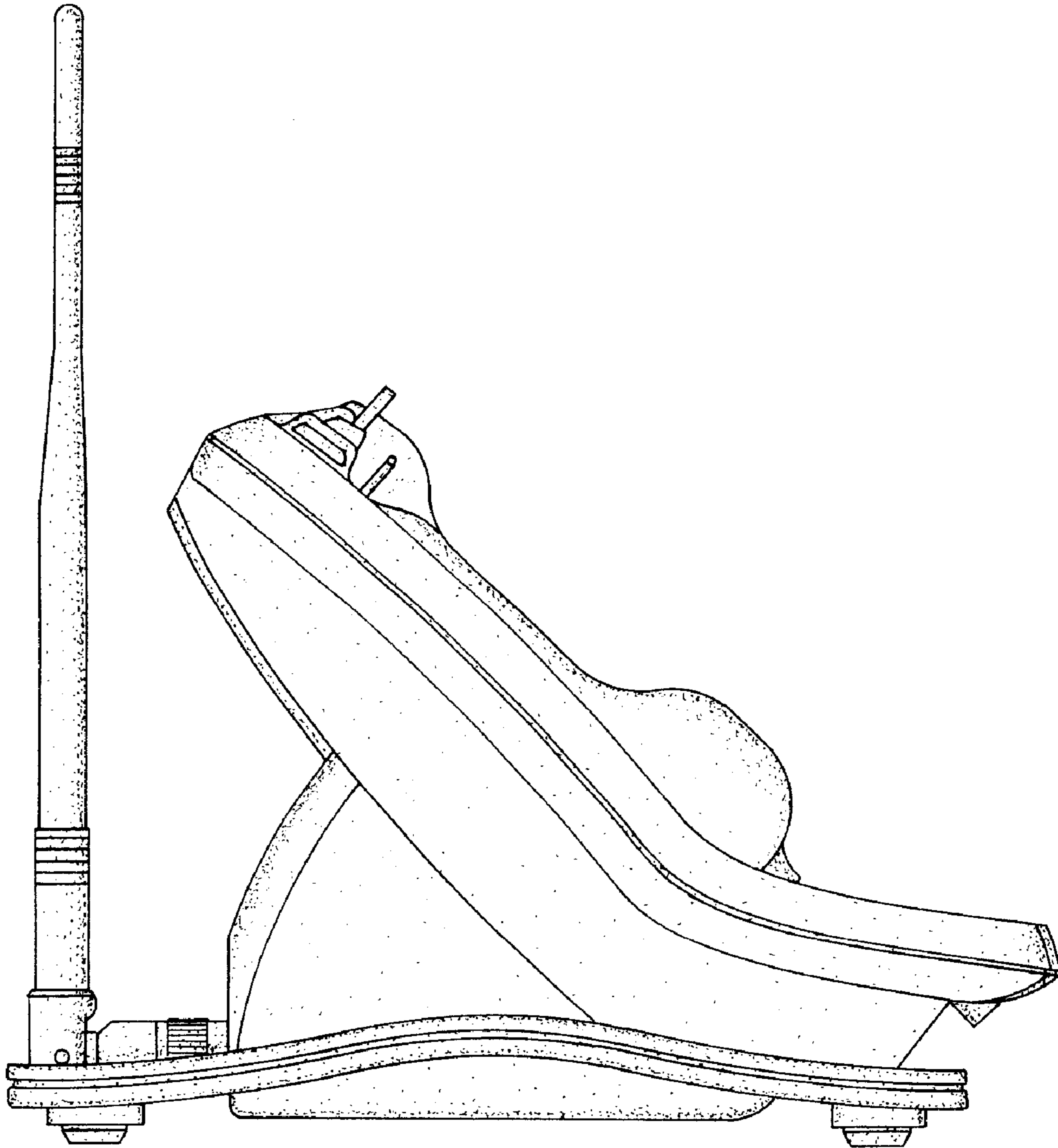


FIG. 7

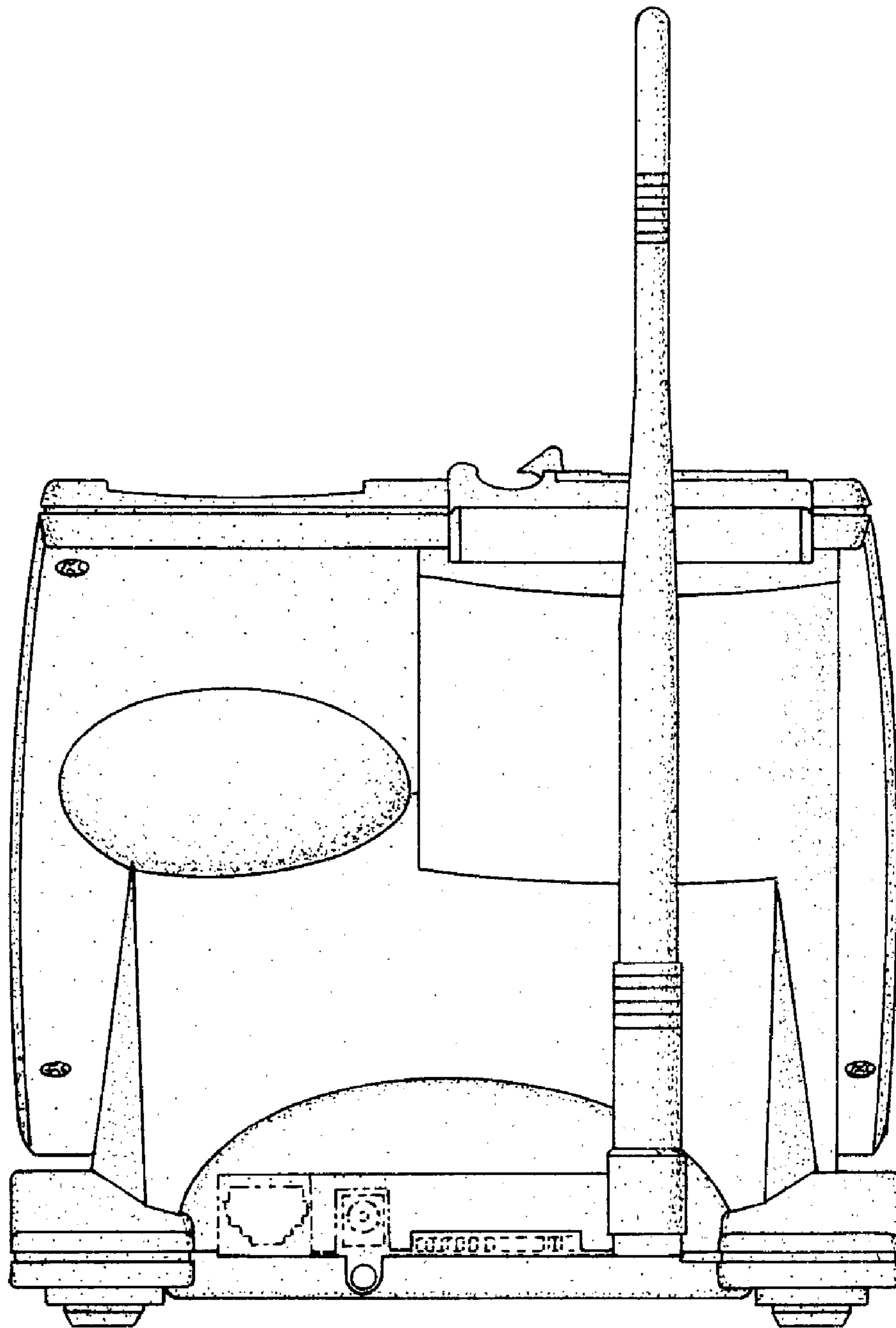


FIG. 8

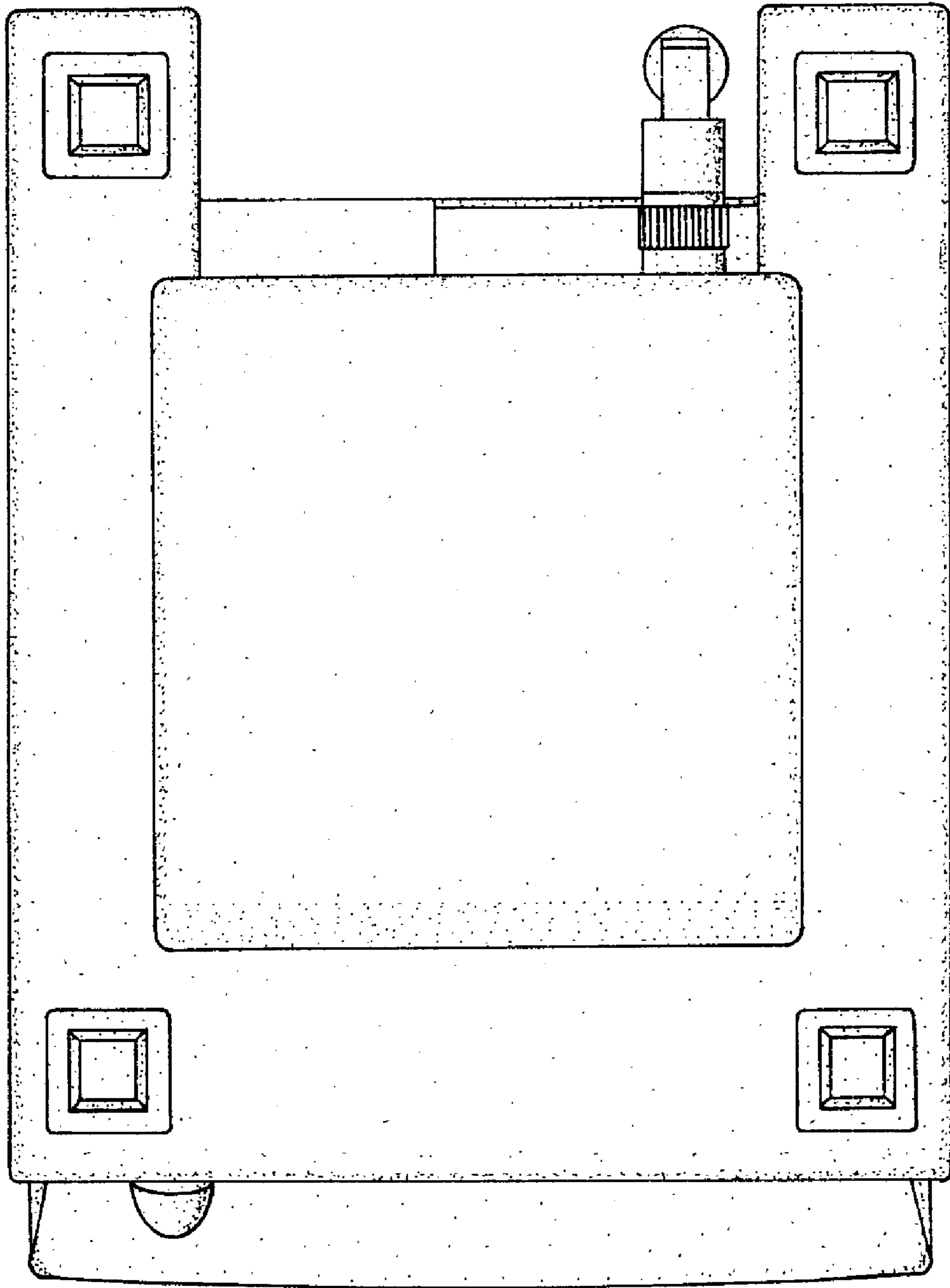


FIG. 9