



US00D512703S

(12) **United States Design Patent**
Ookawa

(10) **Patent No.: US D512,703 S**
(45) **Date of Patent: ** Dec. 13, 2005**

(54) **WIRELESS TELEPHONE BASE UNIT**

FOREIGN PATENT DOCUMENTS

(75) Inventor: **Takayuki Ookawa**, Fukuoka (JP)
(73) Assignee: **Matsushita Electric Industrial Co., Ltd.**, Osaka (JP)
(**) Term: **14 Years**

JP	D988293	8/1997
JP	D1038101	5/1999
JP	D1088500	10/2000
JP	D1055453/2	1/2001
JP	D1117036	7/2001
JP	D1126733	11/2001
WO	DM/050606	* 11/1999

(21) Appl. No.: **29/199,838**

Primary Examiner—Jeffrey Asch

(22) Filed: **Feb. 19, 2004**

(74) *Attorney, Agent, or Firm*—Brinks Hofer Gilson & Lione

(51) **LOC (6) Cl. 14-03**

(52) **U.S. Cl. D14/149**

(58) **Field of Search** D14/149–151,
D14/147–148, 251–253, 144, 143, 130,
329, 330, 434, 140, 142; 379/419, 428.01–428.04,
440; D13/107, 108; D21/517

(57) **CLAIM**

I claim the ornamental design for a wireless telephone base unit, as shown and described.

DESCRIPTION

(56) **References Cited**

U.S. PATENT DOCUMENTS

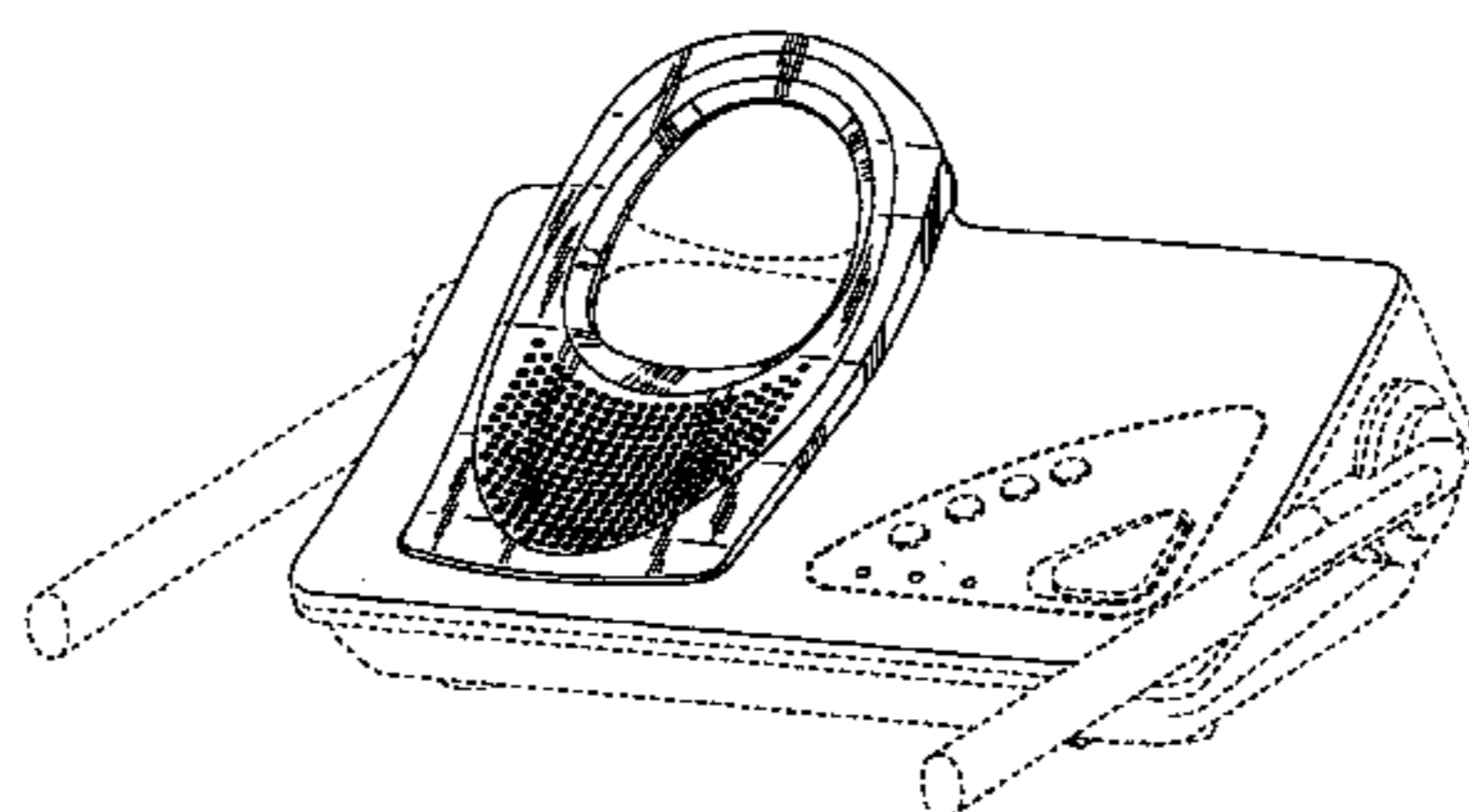
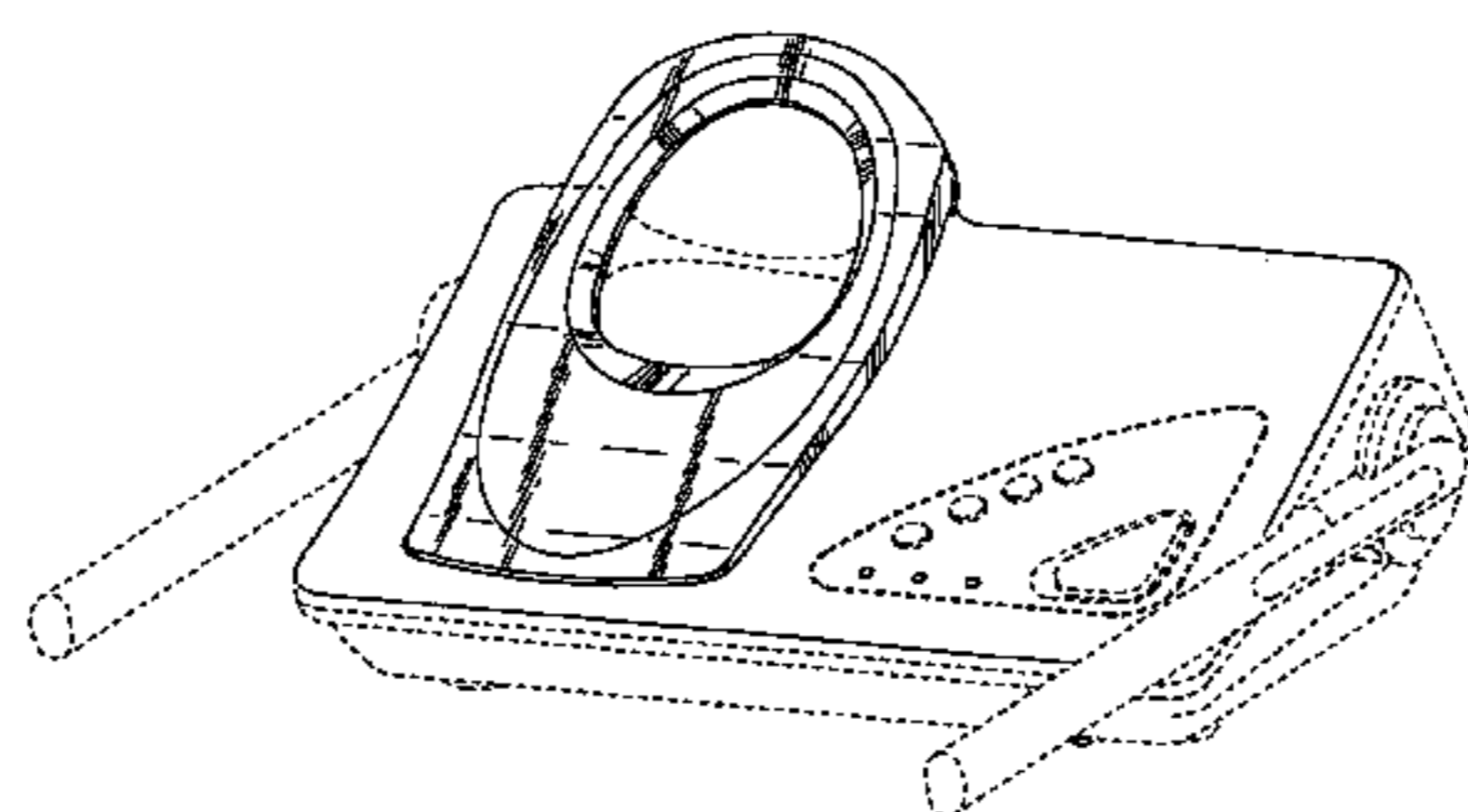
D259,421 S	*	6/1981	Janda	D14/149
D278,434 S	*	4/1985	Nestell	D14/149
D279,372 S		6/1985	Baba et al.		
D282,655 S		2/1986	Kaku et al.		
D284,467 S		7/1986	Baba et al.		
D285,553 S		9/1986	Baba et al.		
D287,011 S		12/1986	Kaku		
D287,719 S		1/1987	Kaku		
D287,970 S		1/1987	Kaku		
D289,520 S	*	4/1987	Pushelberg	D14/151
D289,642 S		5/1987	Kaku		
D296,437 S	*	6/1988	Martinez	D14/151
D297,935 S		10/1988	Kurosu et al.		
D298,620 S		11/1988	Ohta et al.		
D298,934 S		12/1988	Ohta et al.		
D298,936 S		12/1988	Ohta et al.		
D298,940 S	*	12/1988	Lau	D14/138
D299,228 S		1/1989	Kurosu et al.		
D299,644 S		1/1989	Ohta et al.		
D302,689 S		8/1989	Murakami et al.		

FIG. 1 is a top perspective view of a first embodiment of a wireless telephone base unit of the present invention; FIG. 2 is a front view thereof; FIG. 3 is a top view thereof; FIG. 4 is a rear view thereof; FIG. 5 is a first side view thereof; FIG. 6 is a second side view thereof; FIG. 7 is a bottom view thereof; FIG. 8 is a top perspective view of a second embodiment of a wireless telephone base unit of the present invention; FIG. 9 is a front view thereof; FIG. 10 is a top view thereof; FIG. 11 is a rear view thereof; FIG. 12 is a first side view thereof; FIG. 13 is a second side view thereof; and, FIG. 14 is a bottom view thereof.

The ornamental design which is claimed is shown in solid lines in the drawings. Any broken lines in the drawings are for illustrative purposes only and form no part of the claimed design.

(Continued)

1 Claim, 8 Drawing Sheets



US D512,703 S

Page 2

U.S. PATENT DOCUMENTS

D303,390 S	9/1989	Ohta et al.	
D303,665 S	9/1989	Ohta et al.	
D307,277 S	* 4/1990	Desbarats	D14/251
D307,426 S	4/1990	Ohta et al.	
D319,641 S	9/1991	Sugi et al.	
D349,899 S	* 8/1994	Siddoway et al.	D14/151
D350,541 S	* 9/1994	Chung et al.	D14/149
D352,032 S	* 11/1994	Cowan	D14/151
D354,954 S	1/1995	Naito et al.	
D358,813 S	* 5/1995	Hellier et al.	D14/149
D359,284 S	* 6/1995	Hung	D14/151
D360,398 S	* 7/1995	Nagele et al.	D13/108
D361,998 S	9/1995	Murakami et al.	
D363,286 S	* 10/1995	Solomita	D14/151
D367,651 S	* 3/1996	Hellier et al.	D14/149
D368,091 S	3/1996	Yoshihiko et al.	
D369,803 S	* 5/1996	Ka Hung	D14/149
D375,735 S	11/1996	Tochishita	
D382,557 S	* 8/1997	Solomita et al.	D14/149
D384,663 S	* 10/1997	Solomita et al.	D14/141.1
D385,558 S	* 10/1997	Liu	D14/148
D388,433 S	* 12/1997	Lepack	D14/149
D395,046 S	* 6/1998	Liu	D14/148
D401,235 S	* 11/1998	Fuke et al.	D14/149
D409,190 S	5/1999	Tamura et al.	
D415,490 S	* 10/1999	Chan	D14/149
D456,795 S	* 5/2002	Hughes et al.	D14/149
D457,868 S	* 5/2002	Shintani	D14/149
D471,187 S	* 3/2003	Song	D14/253
D499,077 S	* 11/2004	Kudou et al.	D14/149

* cited by examiner

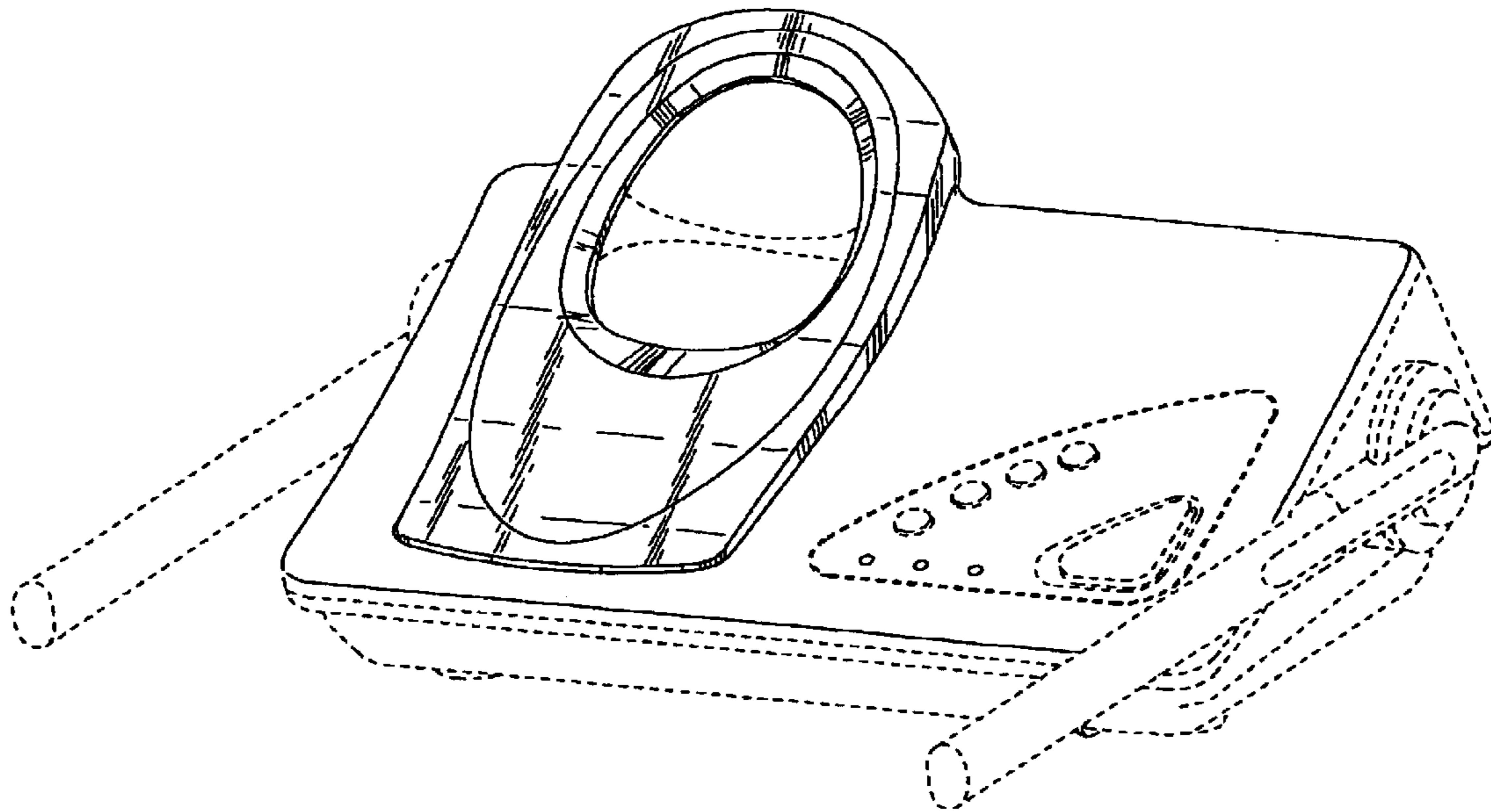


FIG. 1

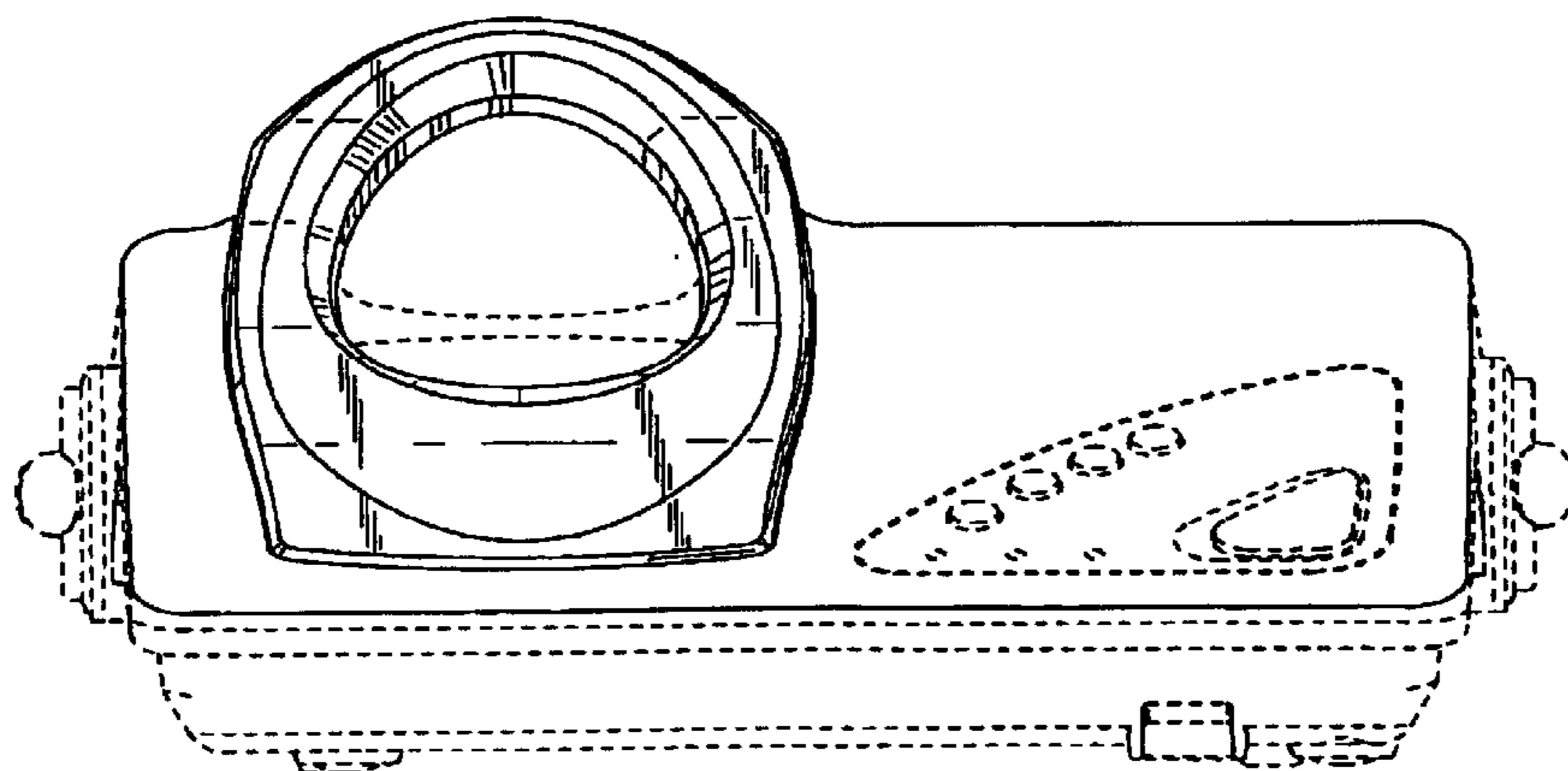


FIG. 2

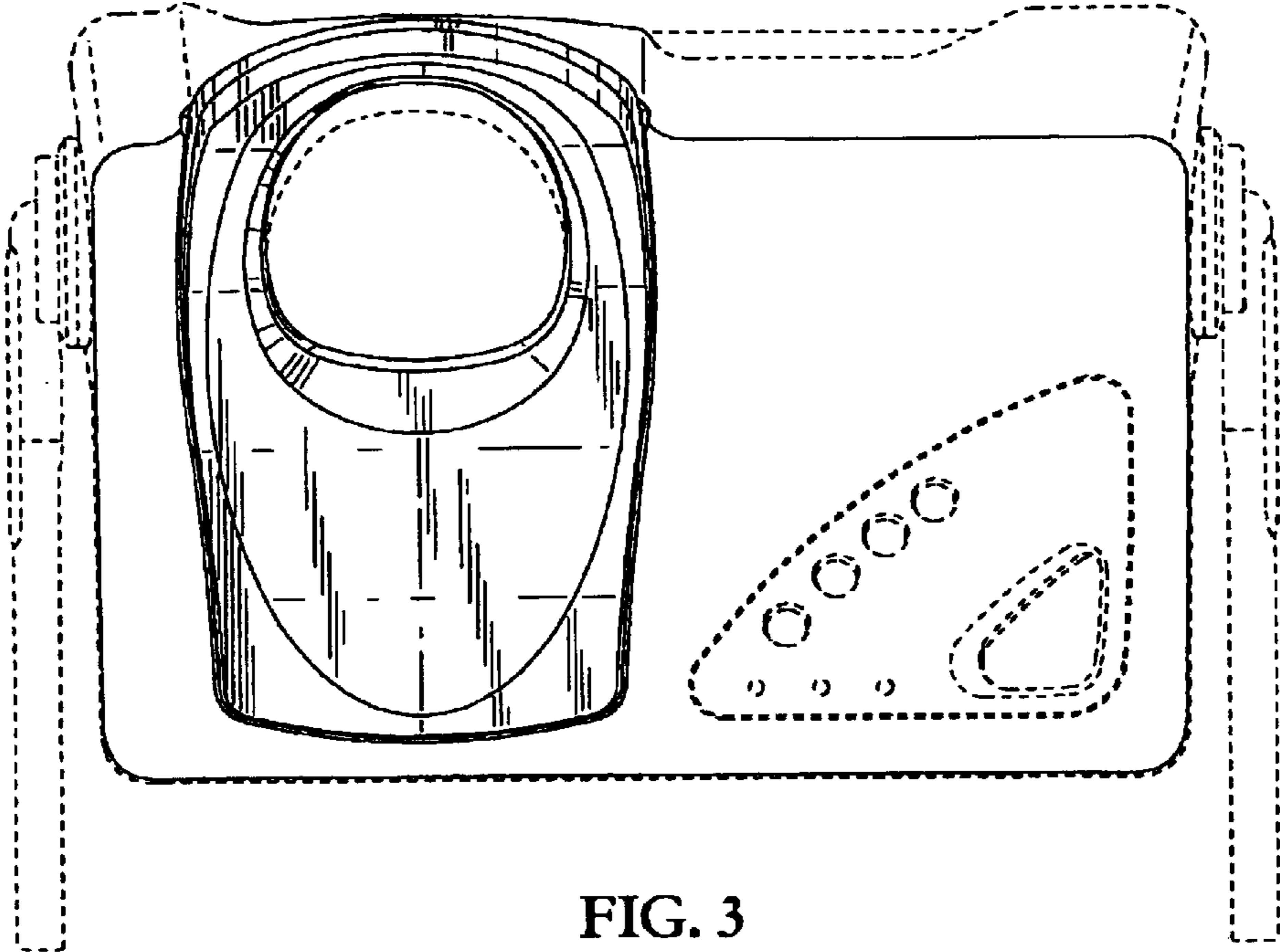


FIG. 3

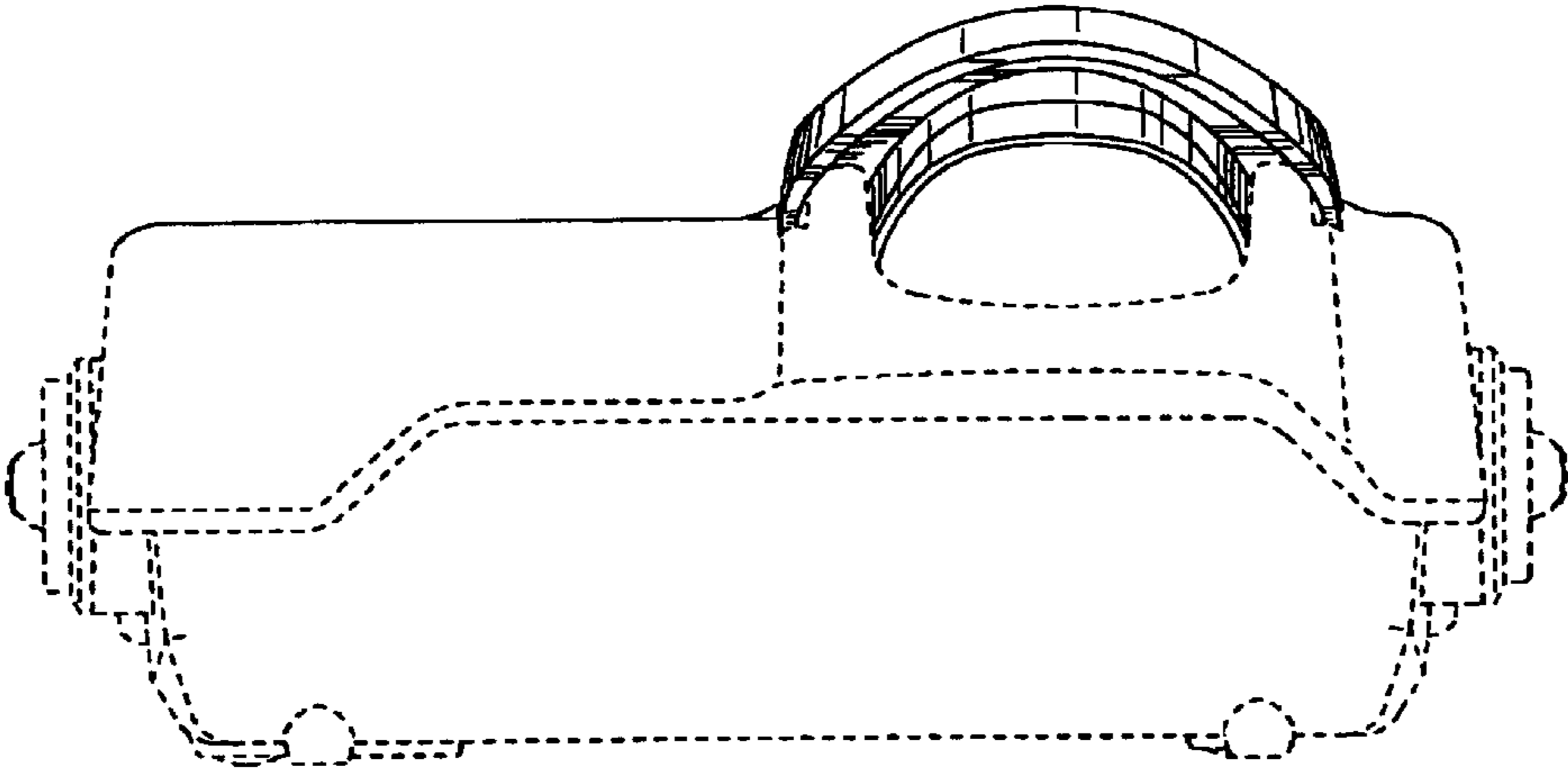


FIG. 4

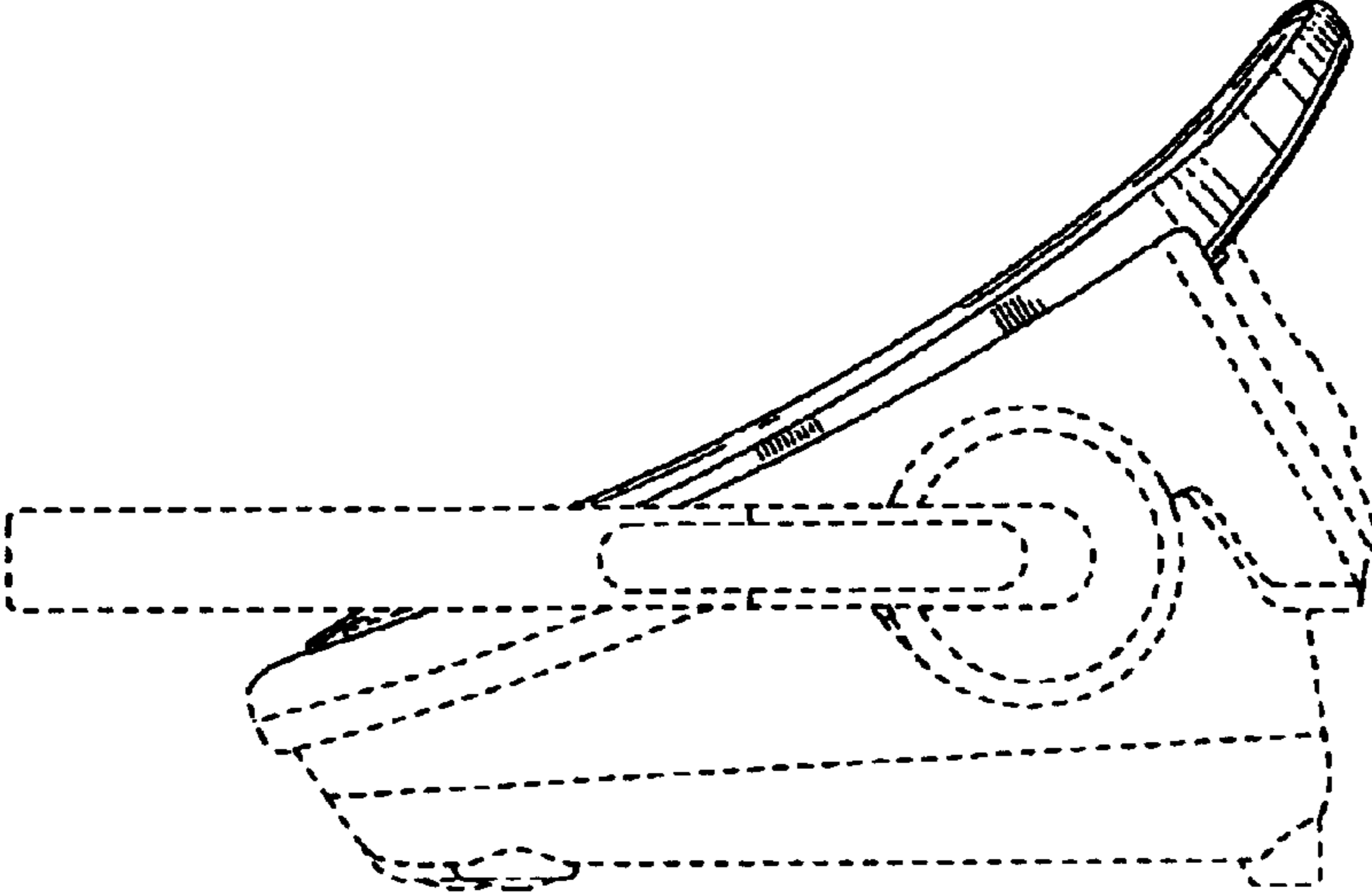


FIG. 5

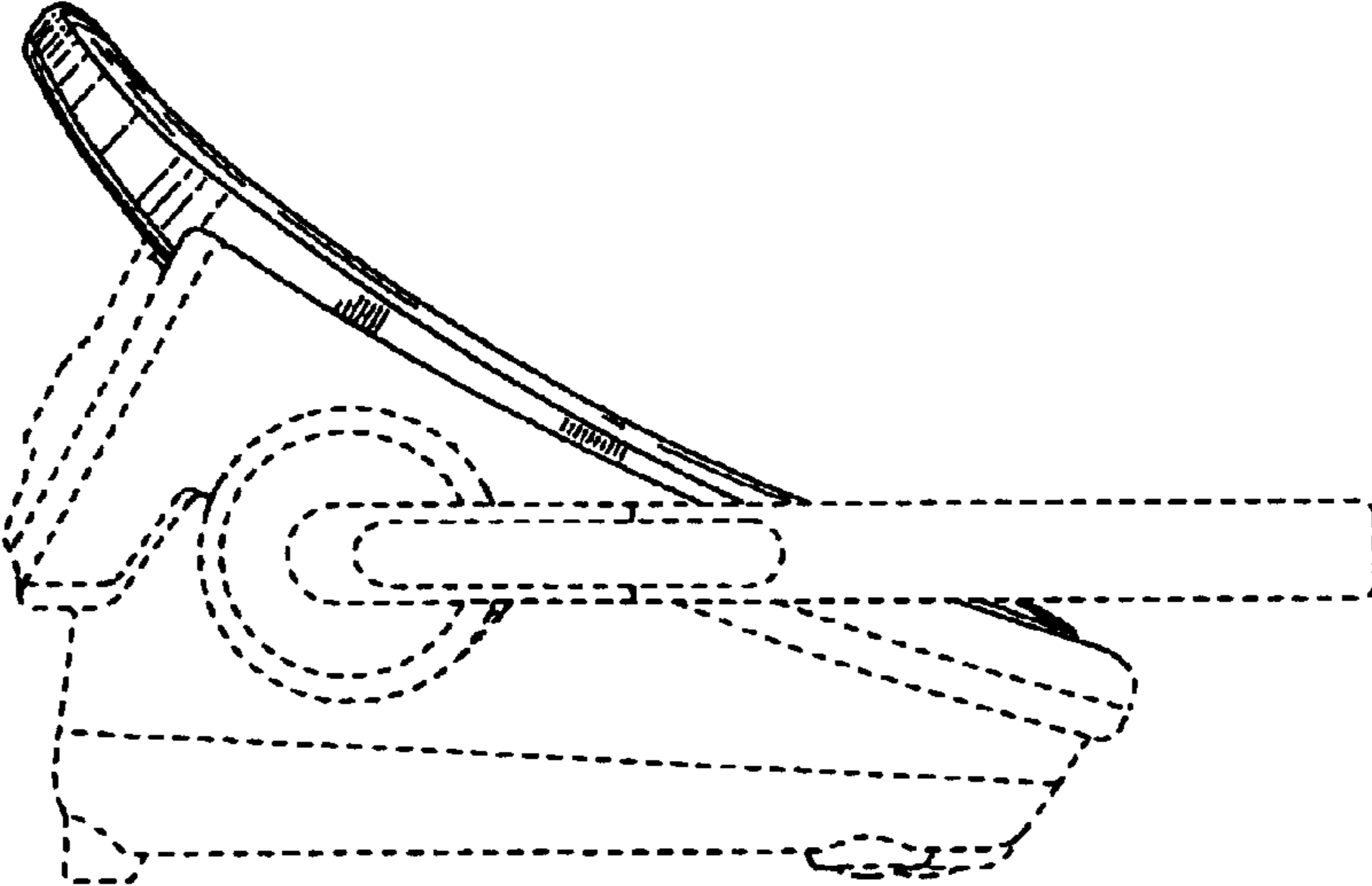


FIG. 6

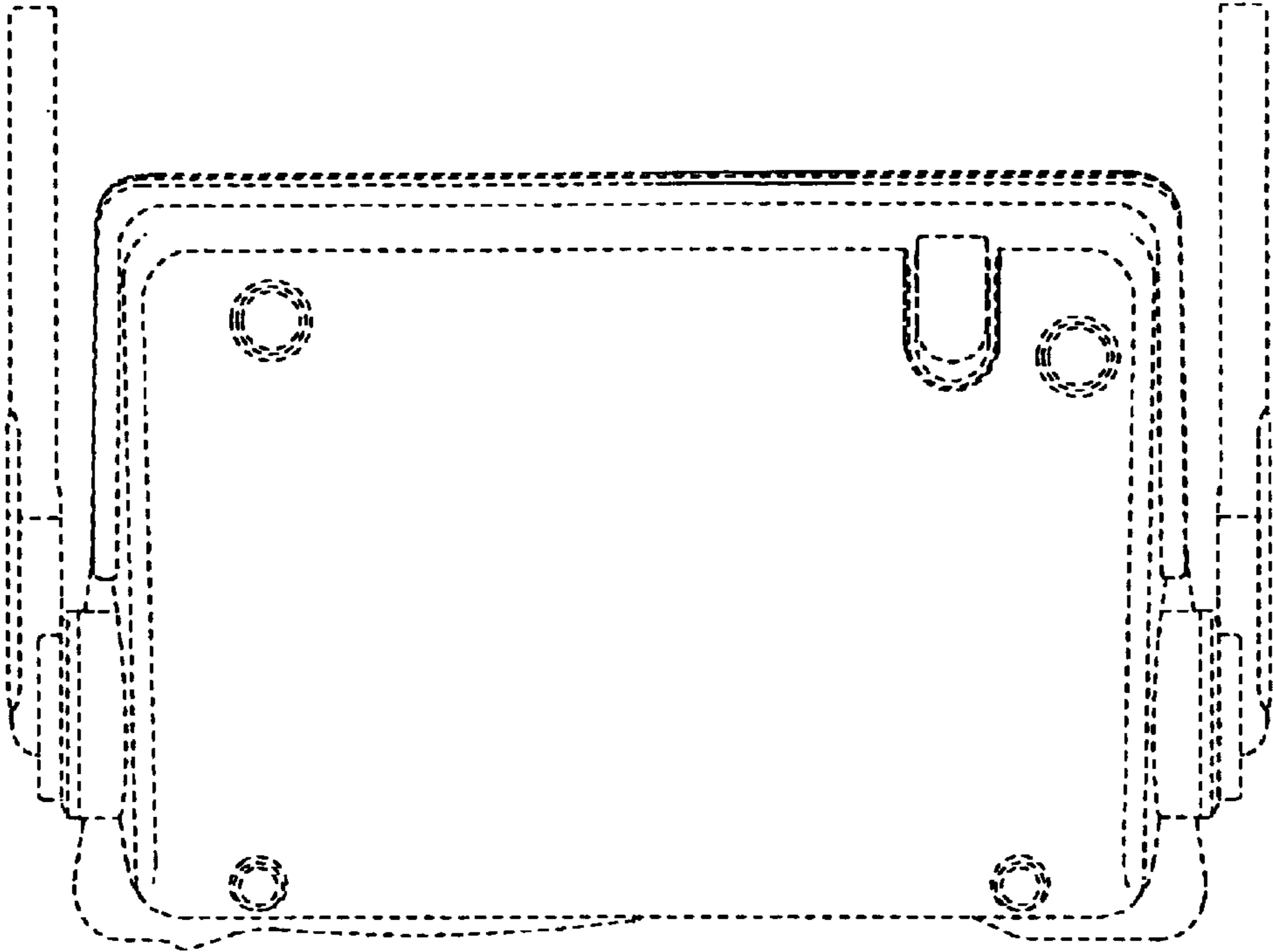


FIG. 7

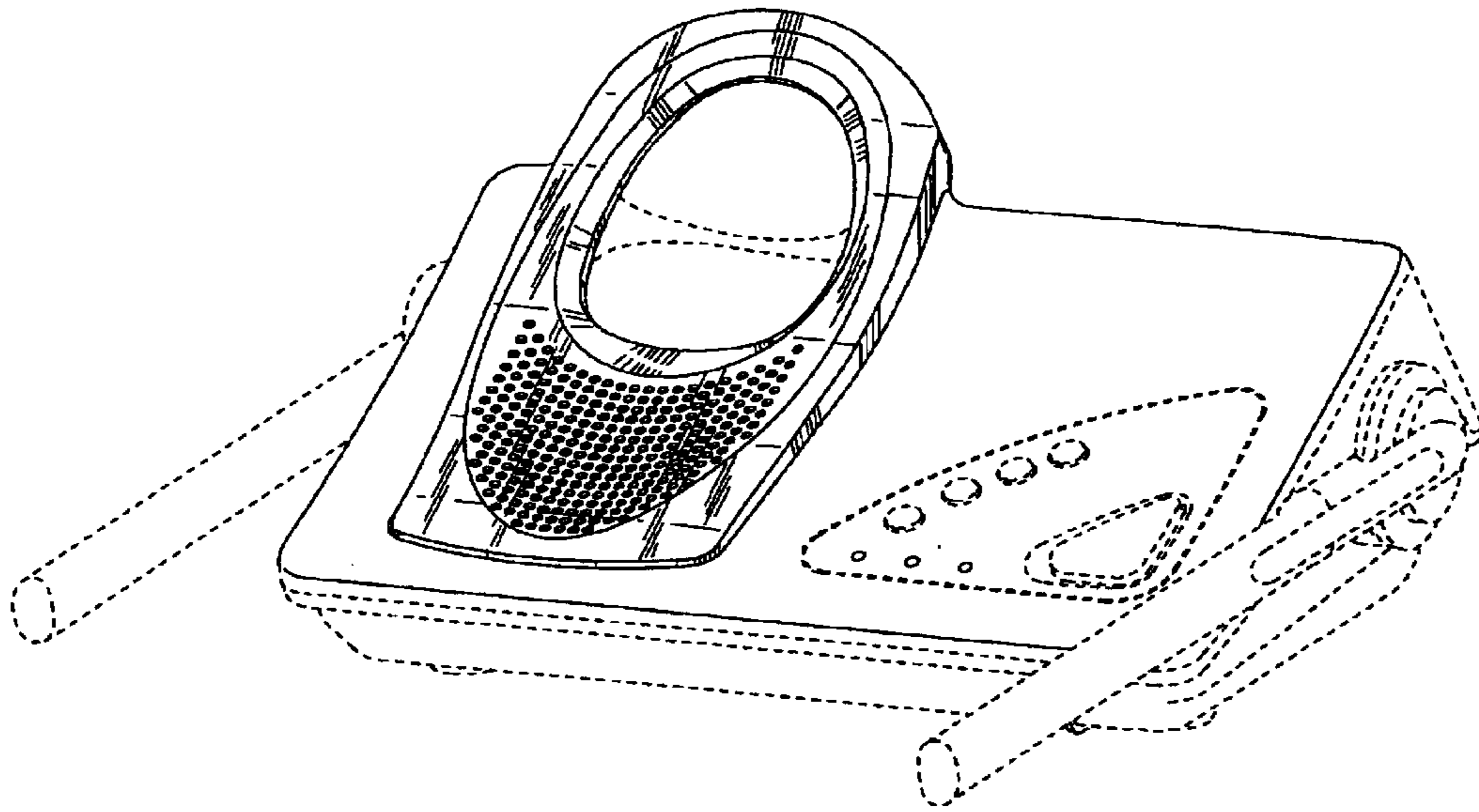


FIG. 8

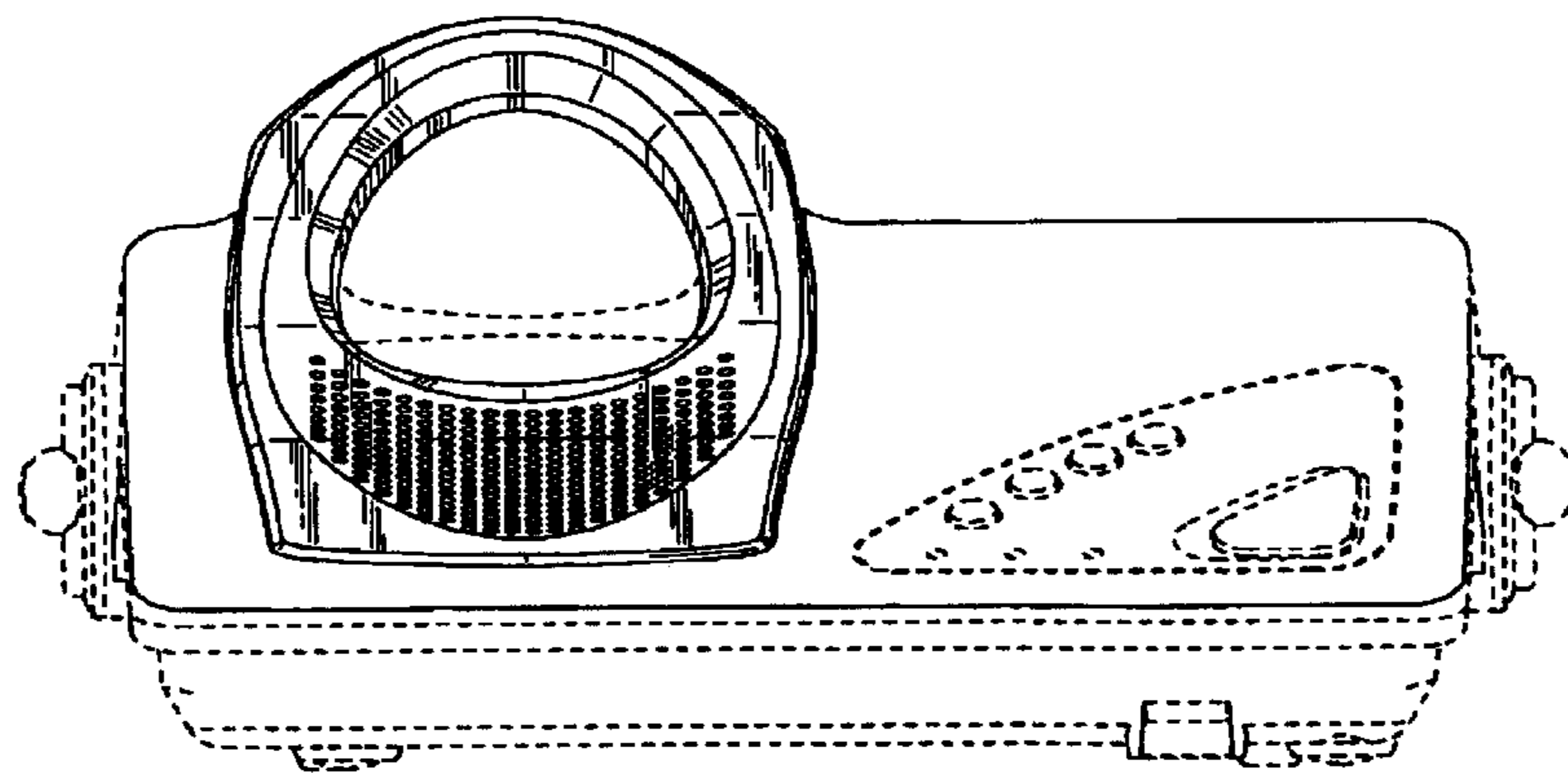


FIG. 9

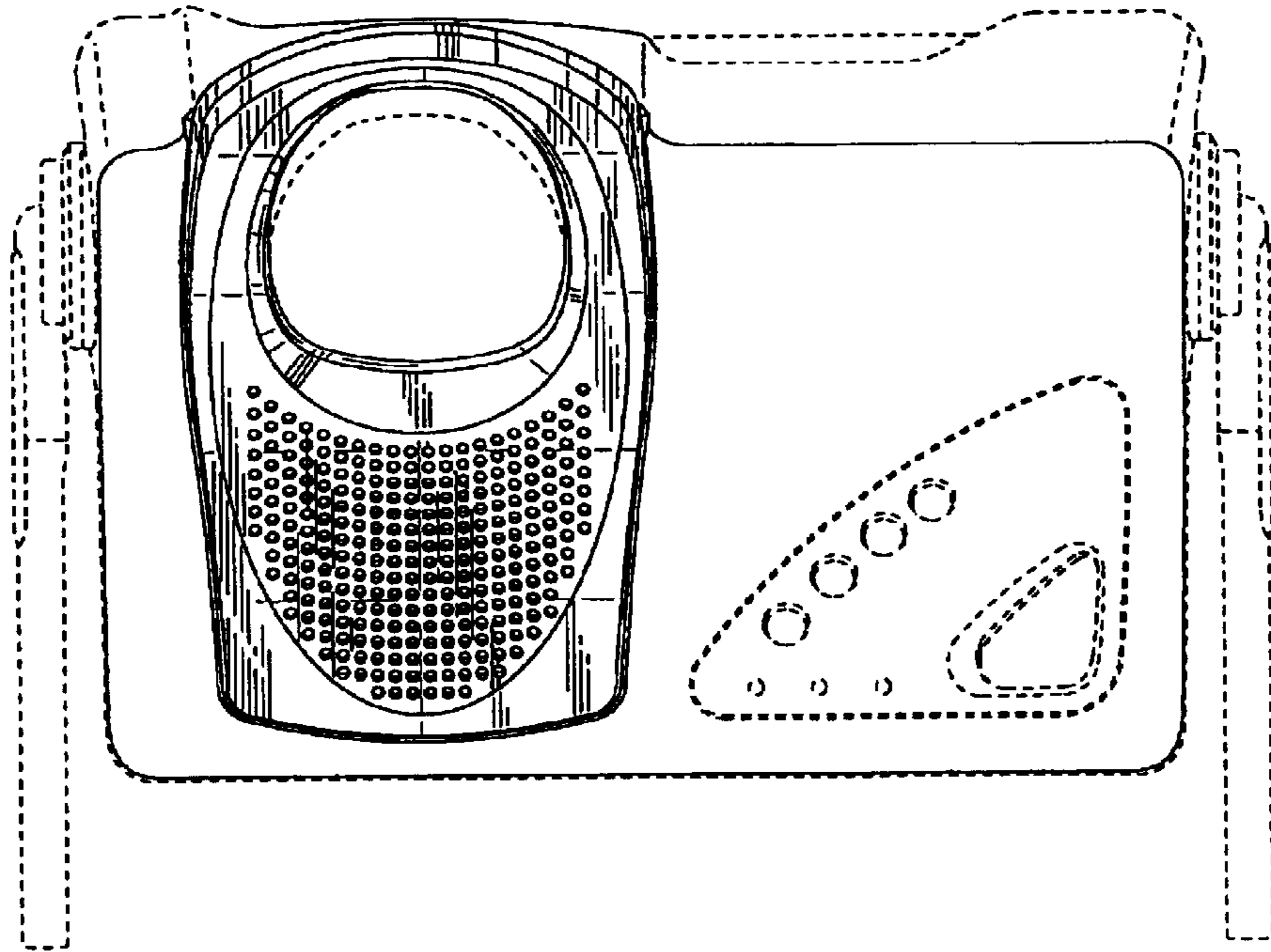


FIG. 10

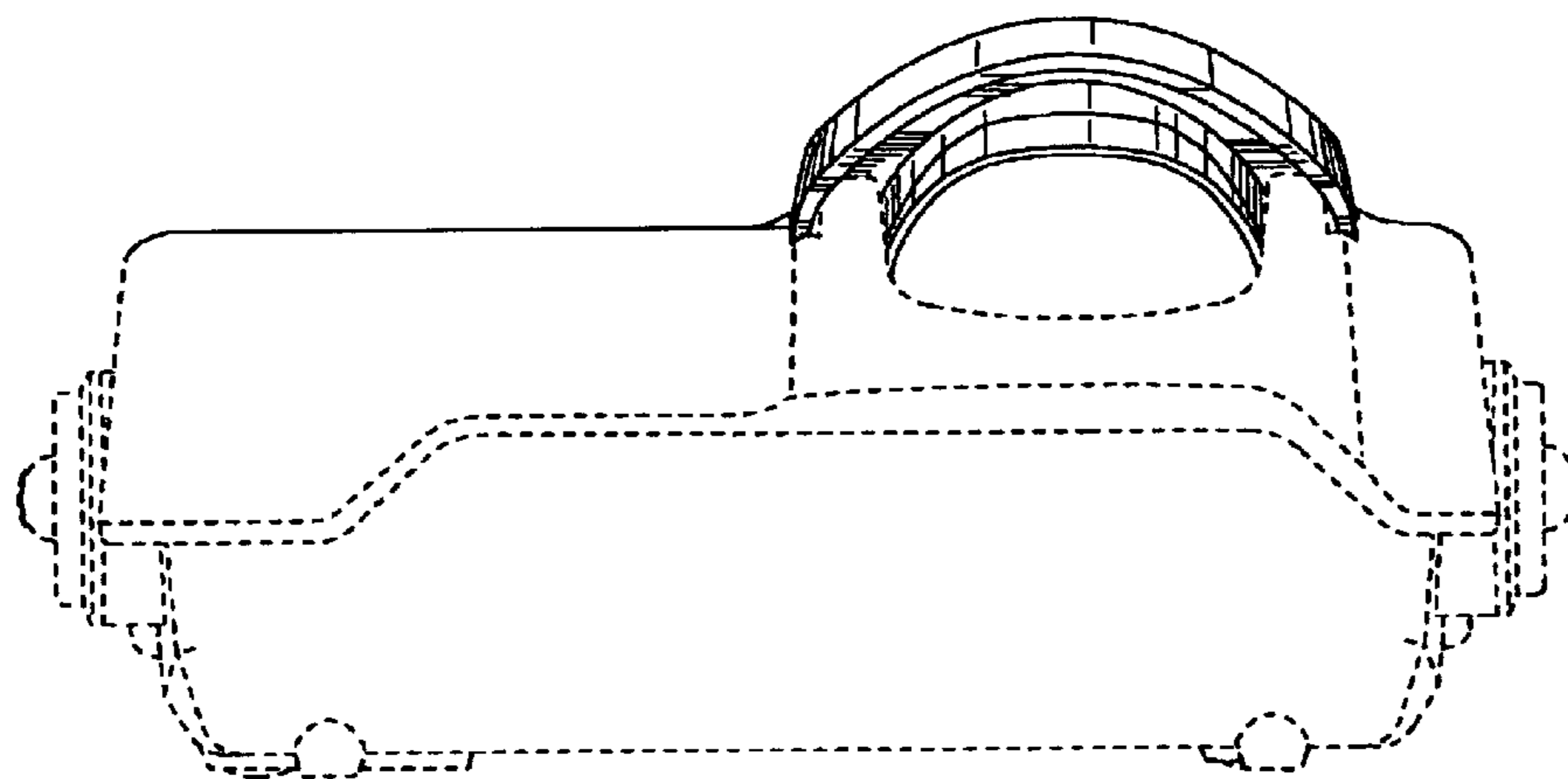


FIG. 11

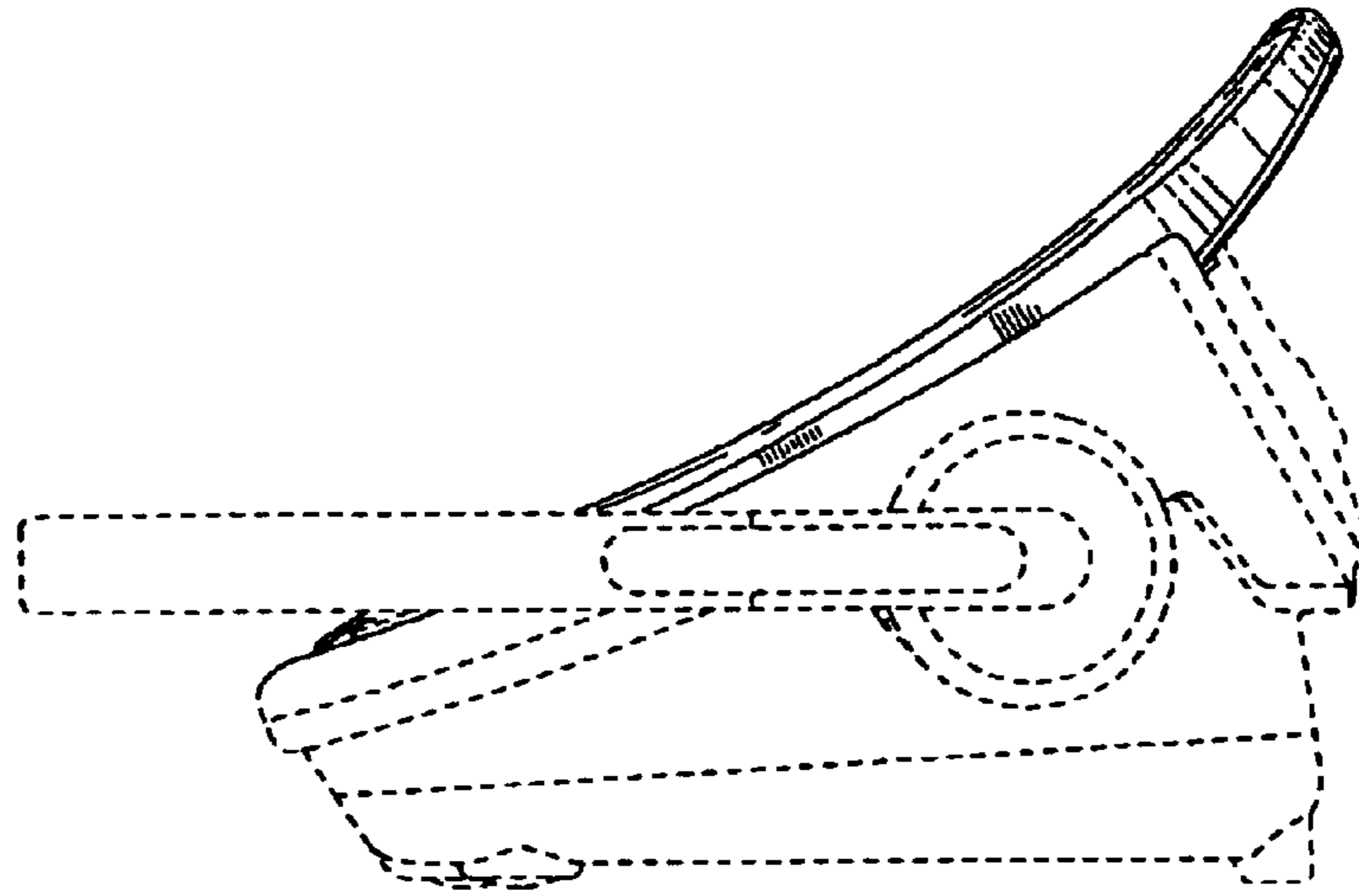


FIG. 12

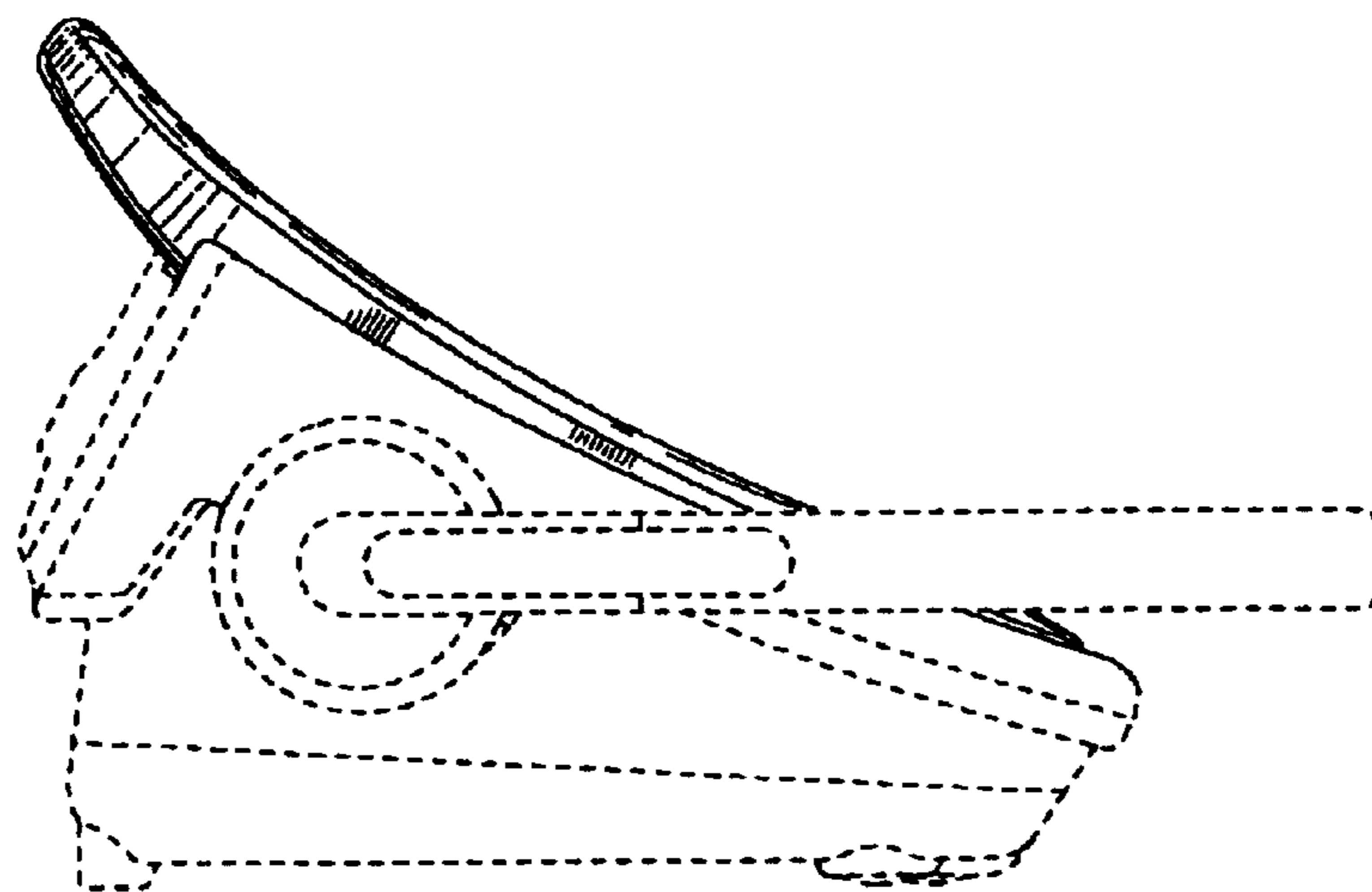


FIG. 13

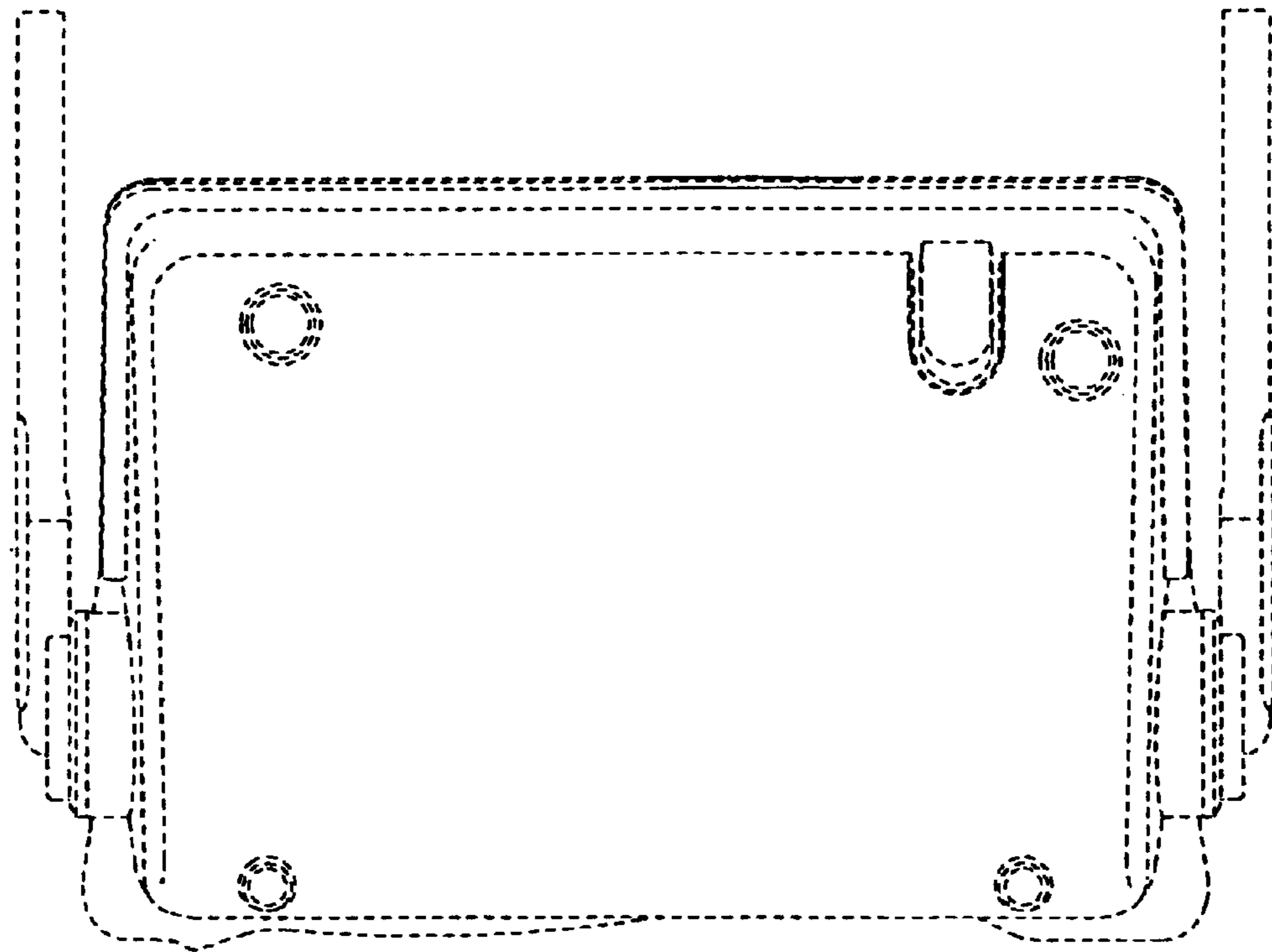


FIG. 14