



US00D512698S

(12) **United States Design Patent** (10) **Patent No.:** **US D512,698 S**
Augenbraun et al. (45) **Date of Patent:** **** Dec. 13, 2005**

(54) **VIDEO PHONE**

(75) Inventors: **Joseph Augenbraun**, Princeton, NJ (US); **Dana Ainsworth**, Yardley, PA (US); **Joel Boyarski**, Philadelphia, PA (US); **Randall Gort**, Malvern, PA (US); **Hal Krisbergh**, Rydal, PA (US); **Jamie Press**, Lansdale, PA (US); **Jeanne Ritts**, Beverly, NJ (US); **David Wachob**, New Hope, PA (US)

(73) Assignee: **Worldgate Service, Inc.**, Trevese, PA (US)

(**) Term: **14 Years**

(21) Appl. No.: **29/193,376**

(22) Filed: **Nov. 10, 2003**

(51) **LOC (6) Cl.** **14-03**

(52) **U.S. Cl.** **D14/130; D14/129; D14/375**

(58) **Field of Search** **D14/149-151, D14/147-148, 251-253, 144, 143, 130, 329, 330, 434, 140, 142, 375, 129, 126; 379/419, 428.01-428.04, 440; D13/107, 108; D21/517; 348/836, 14.01; 455/557**

D392,946 S * 3/1998 Elkins D14/329
D408,375 S * 4/1999 Oba D14/329
D410,447 S * 6/1999 Chang D14/375
D414,471 S * 9/1999 Poole et al. D14/375
D415,148 S * 10/1999 Ma et al. D14/130
D417,893 S * 12/1999 Hunter et al. D20/10
D427,742 S * 7/2000 McCormack et al. D99/28
D428,415 S * 7/2000 Shibata D14/356
6,108,195 A * 8/2000 Behl et al. 361/681
D431,708 S * 10/2000 McCormack et al. D99/28
D436,937 S * 1/2001 Eddington et al. D14/130
D450,311 S * 11/2001 Sawhney et al. D14/214
D457,870 S * 5/2002 Toyoshima et al. D14/150
D467,897 S * 12/2002 Lin D14/211
D473,554 S * 4/2003 Landerholm et al. D14/302
6,552,720 B1 * 4/2003 Gartrell et al. 345/184
D475,985 S * 6/2003 Huang et al. D14/130
D476,004 S * 6/2003 Olson et al. D14/375
D486,457 S * 2/2004 Lee D14/129
D487,435 S * 3/2004 Huang et al. D14/130
D488,139 S * 4/2004 Takami et al. D14/126
D489,339 S * 5/2004 Esslinger et al. D14/126
D491,153 S * 6/2004 Wintzen et al. D14/130
D498,218 S * 11/2004 Langlois D14/129
D503,120 S * 3/2005 Sato et al. D10/93

* cited by examiner

Primary Examiner—Jeffrey Asch
(74) *Attorney, Agent, or Firm*—Jones, Tullar & Cooper, P.C.

(56) **References Cited**

U.S. PATENT DOCUMENTS

D224,117 S * 7/1972 Genaro et al. D14/130
D241,655 S * 9/1976 Genaro et al. D14/130
D241,751 S * 10/1976 Jensen D14/130
4,438,458 A * 3/1984 Munscher 348/838
D294,262 S * 2/1988 Thies et al. D14/375
4,930,157 A * 5/1990 Citron et al. 379/433.07
D350,743 S * 9/1994 Hicks et al. D14/130
D358,807 S * 5/1995 Ratcliffe et al. D14/335
D373,355 S * 9/1996 Huang et al. D14/130
D377,784 S * 2/1997 Wilson D14/302
D378,082 S * 2/1997 Wilson D14/302
D384,653 S * 10/1997 Hasegawa D14/423
D392,303 S * 3/1998 Hern D16/225

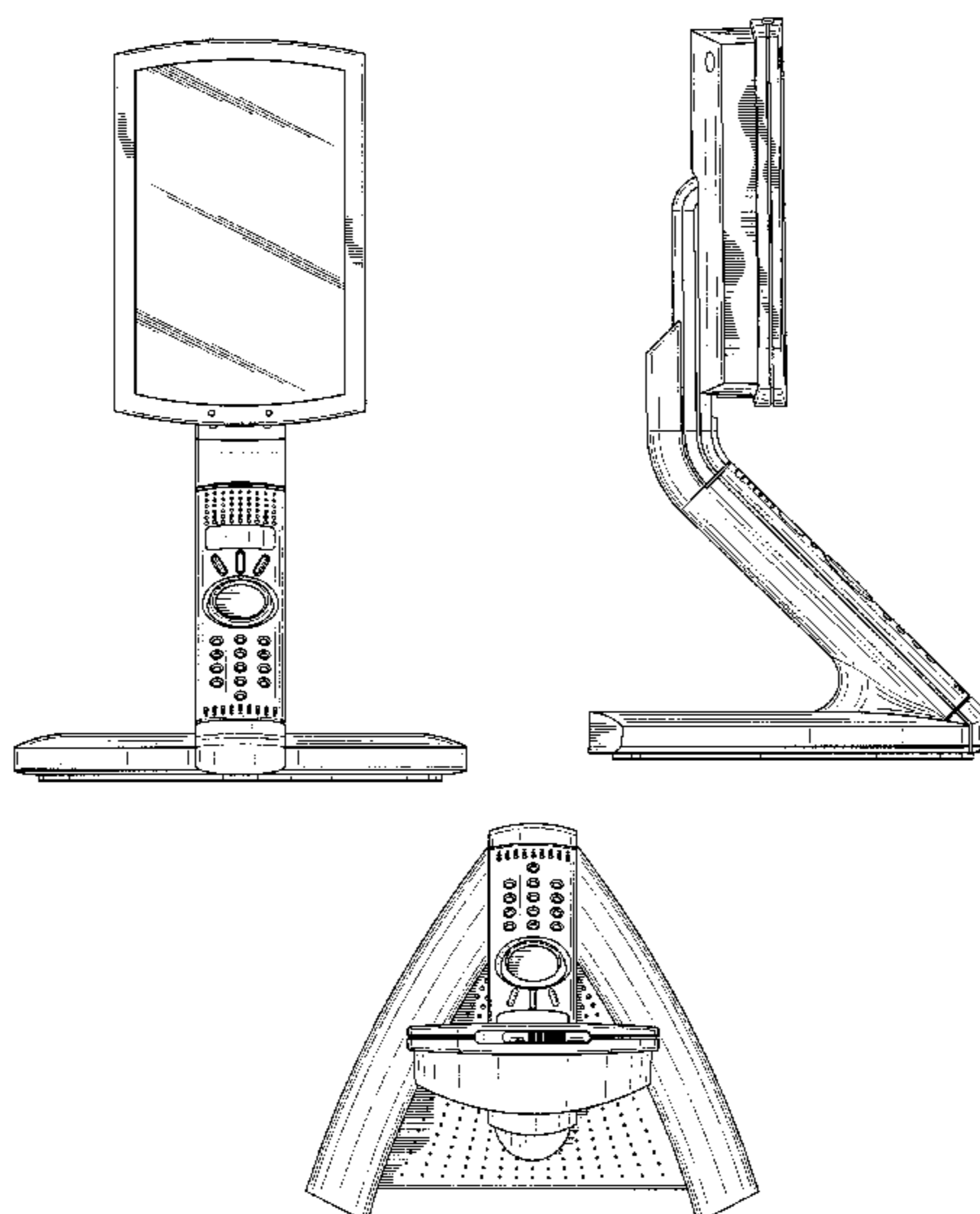
(57) **CLAIM**

The ornamental design for a video phone, as shown.

DESCRIPTION

FIG. 1 is a front perspective view of the video phone;
FIG. 2 is a front elevational view thereof;
FIG. 3 is a left side elevational view thereof;
FIG. 4 is a right side elevational view thereof;
FIG. 5 is a top plan view thereof;
FIG. 6 is a bottom plan view thereof; and,
FIG. 7 is a rear elevational view thereof.

1 Claim, 7 Drawing Sheets



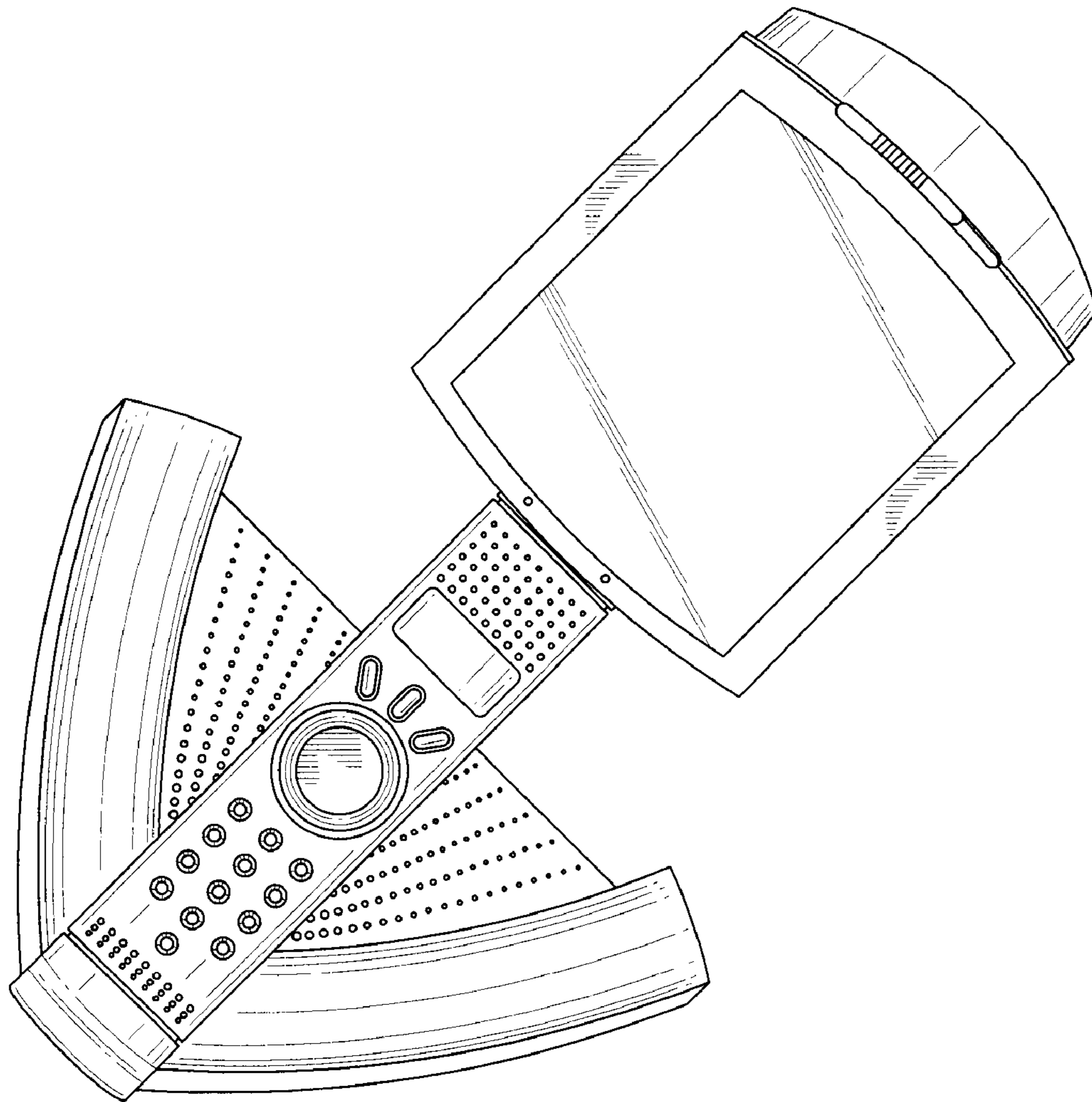


FIG. 1

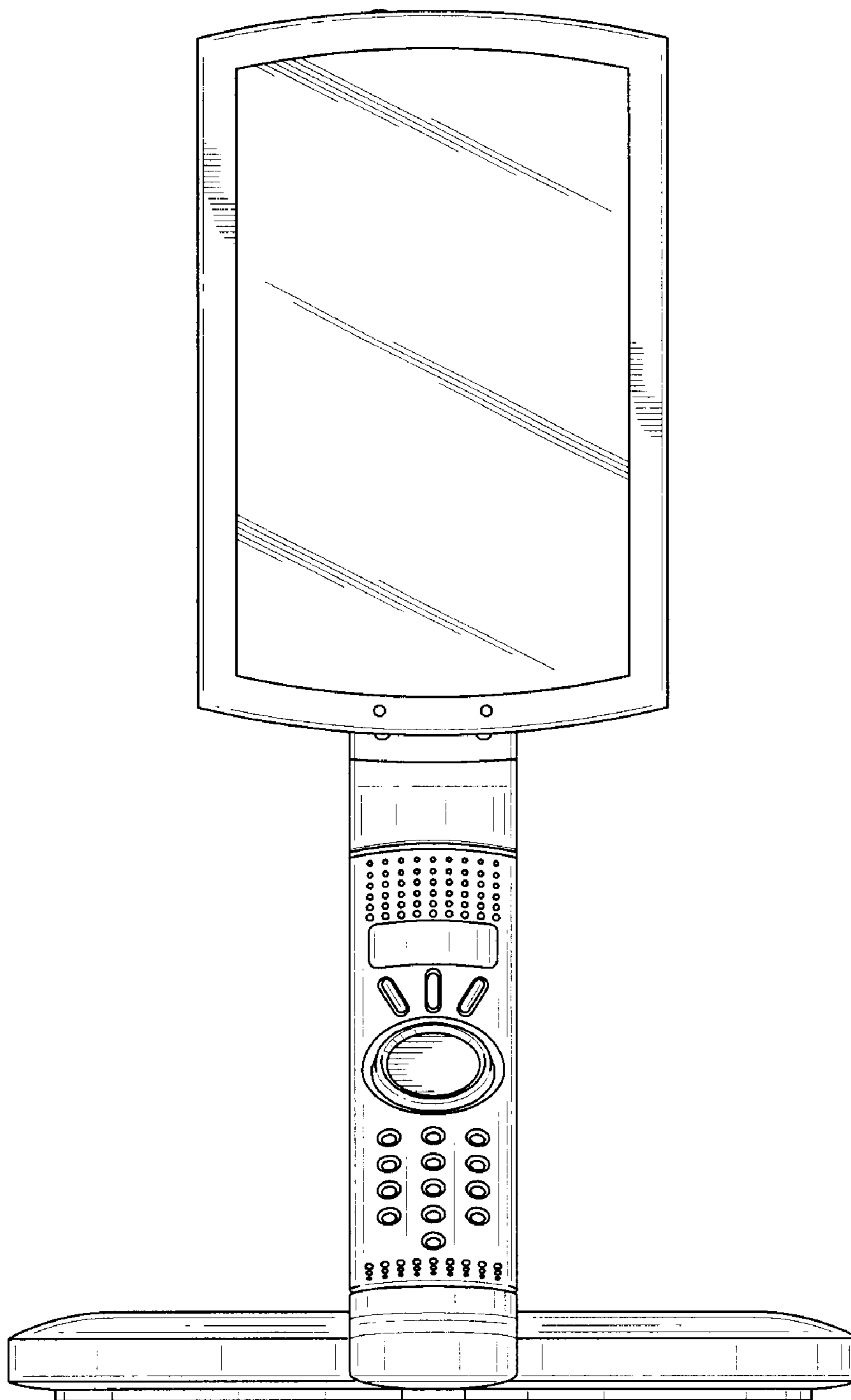


FIG. 2

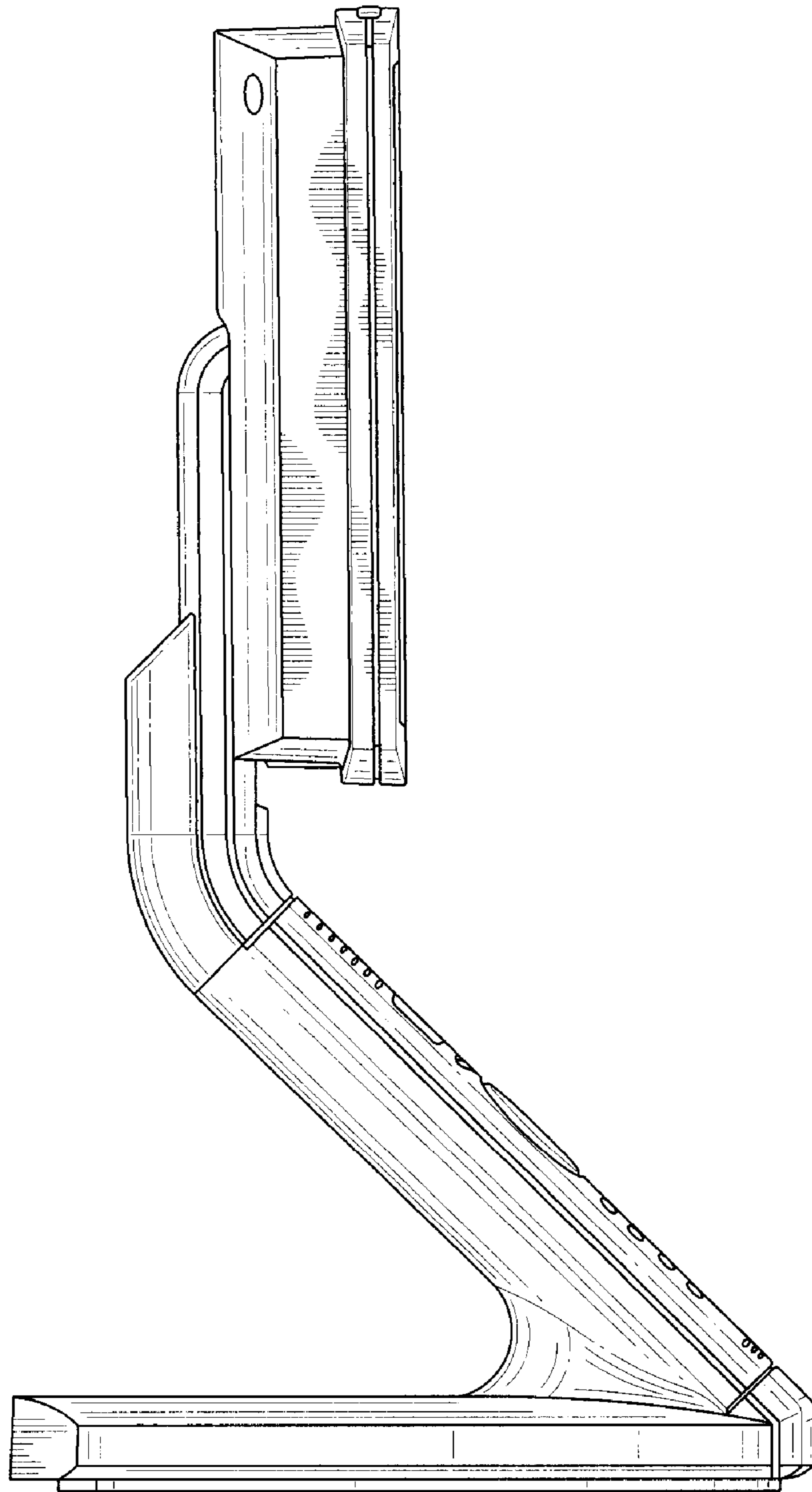


FIG. 3

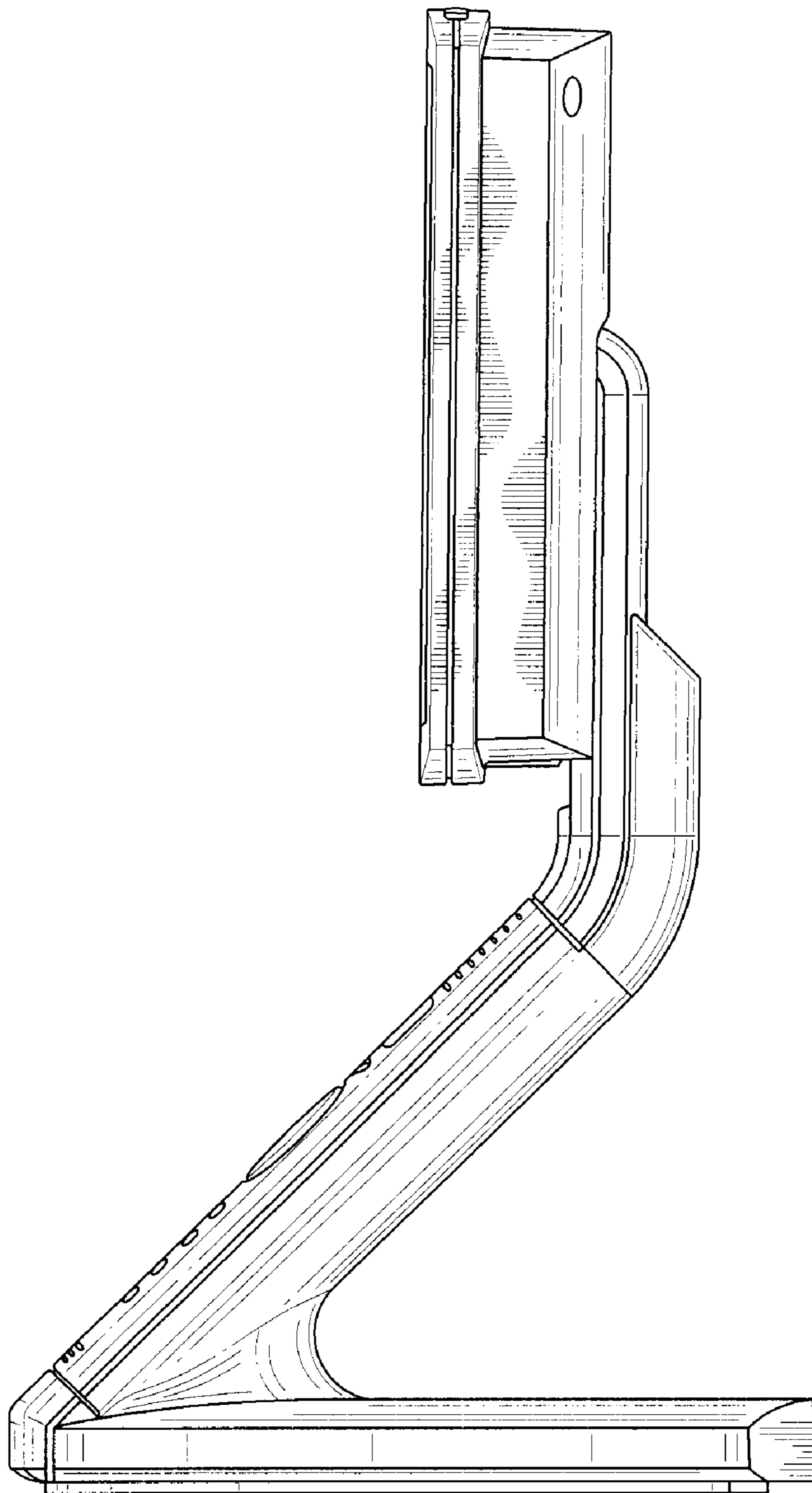


FIG. 4

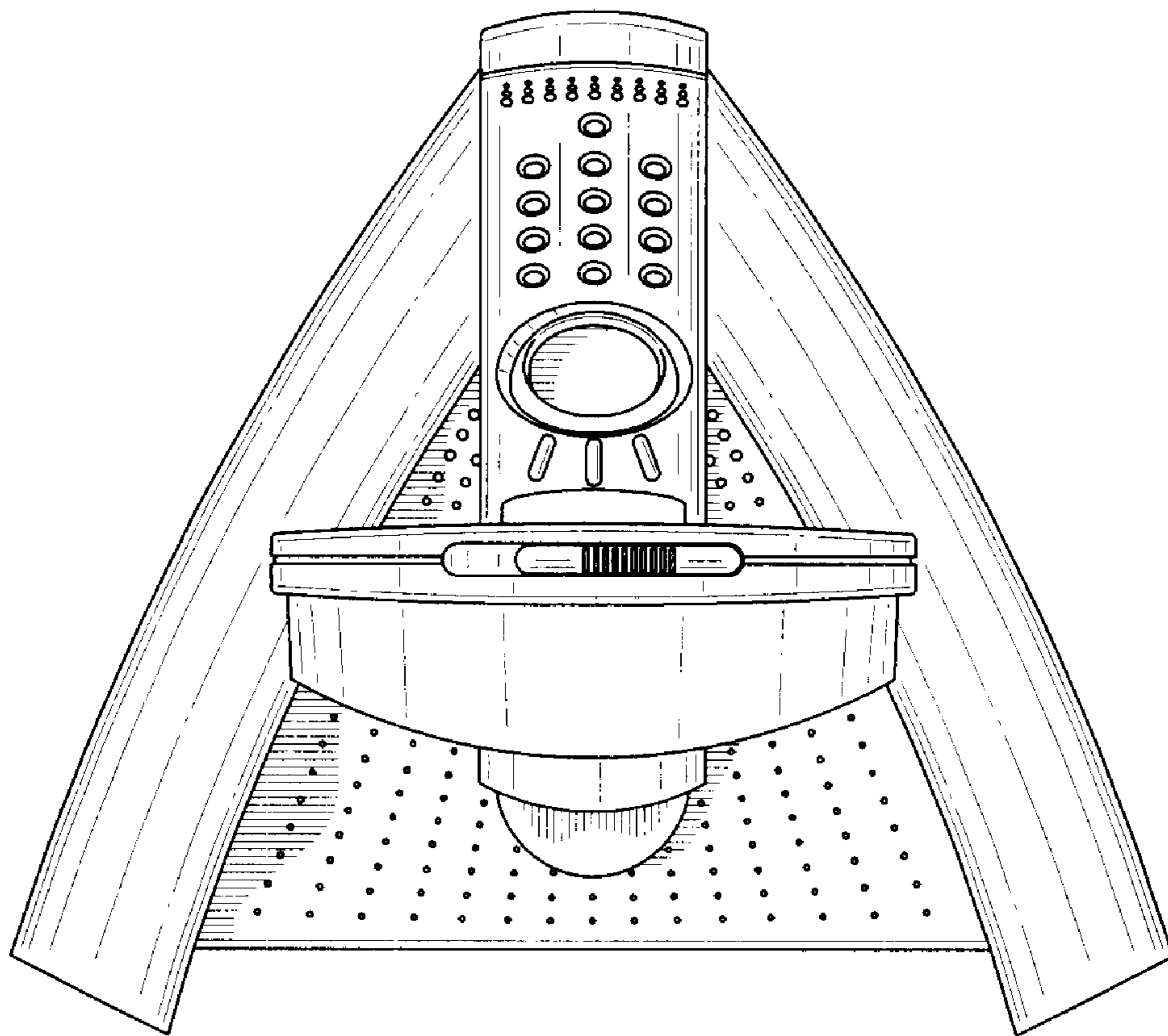


FIG. 5

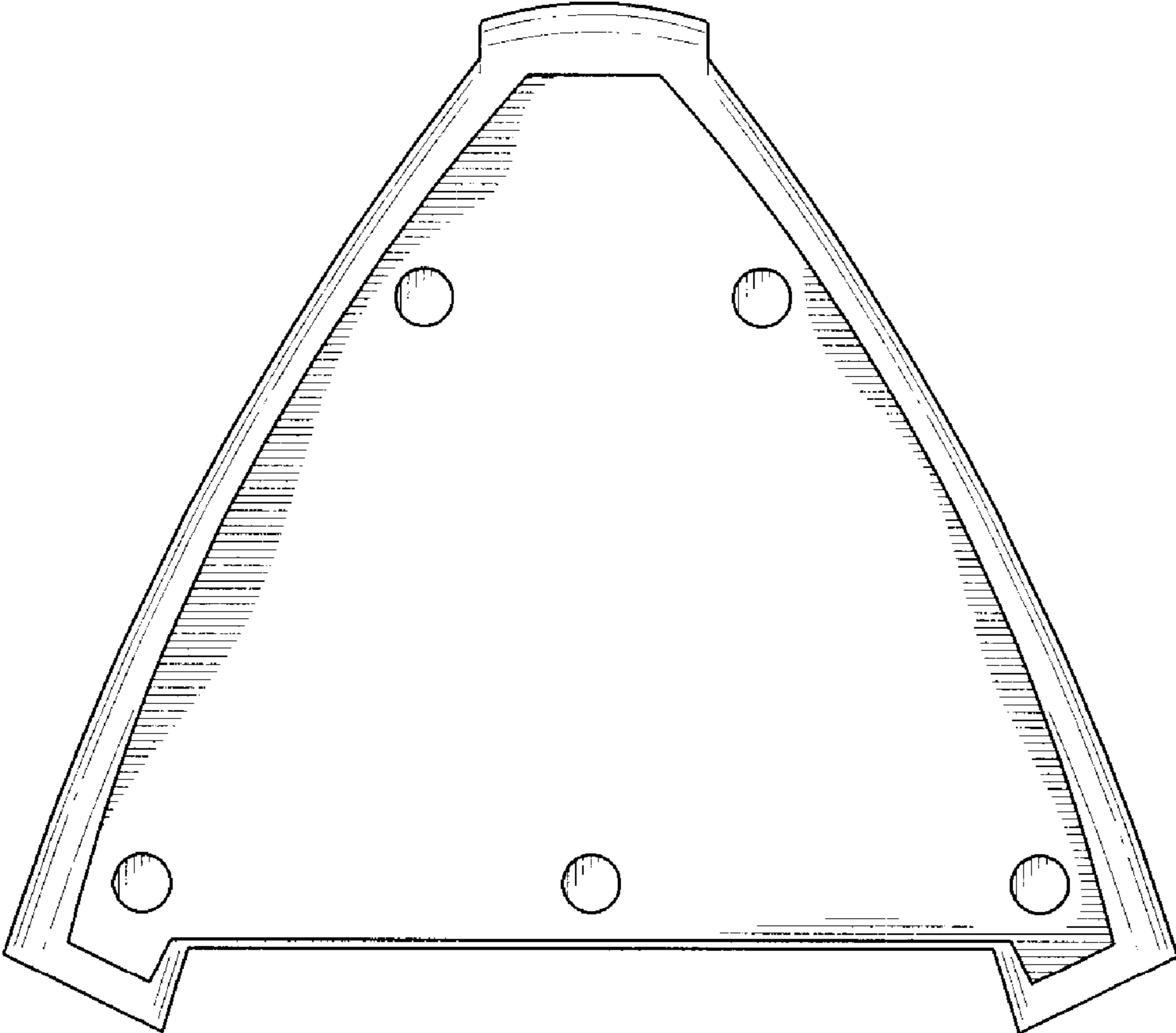


FIG. 6

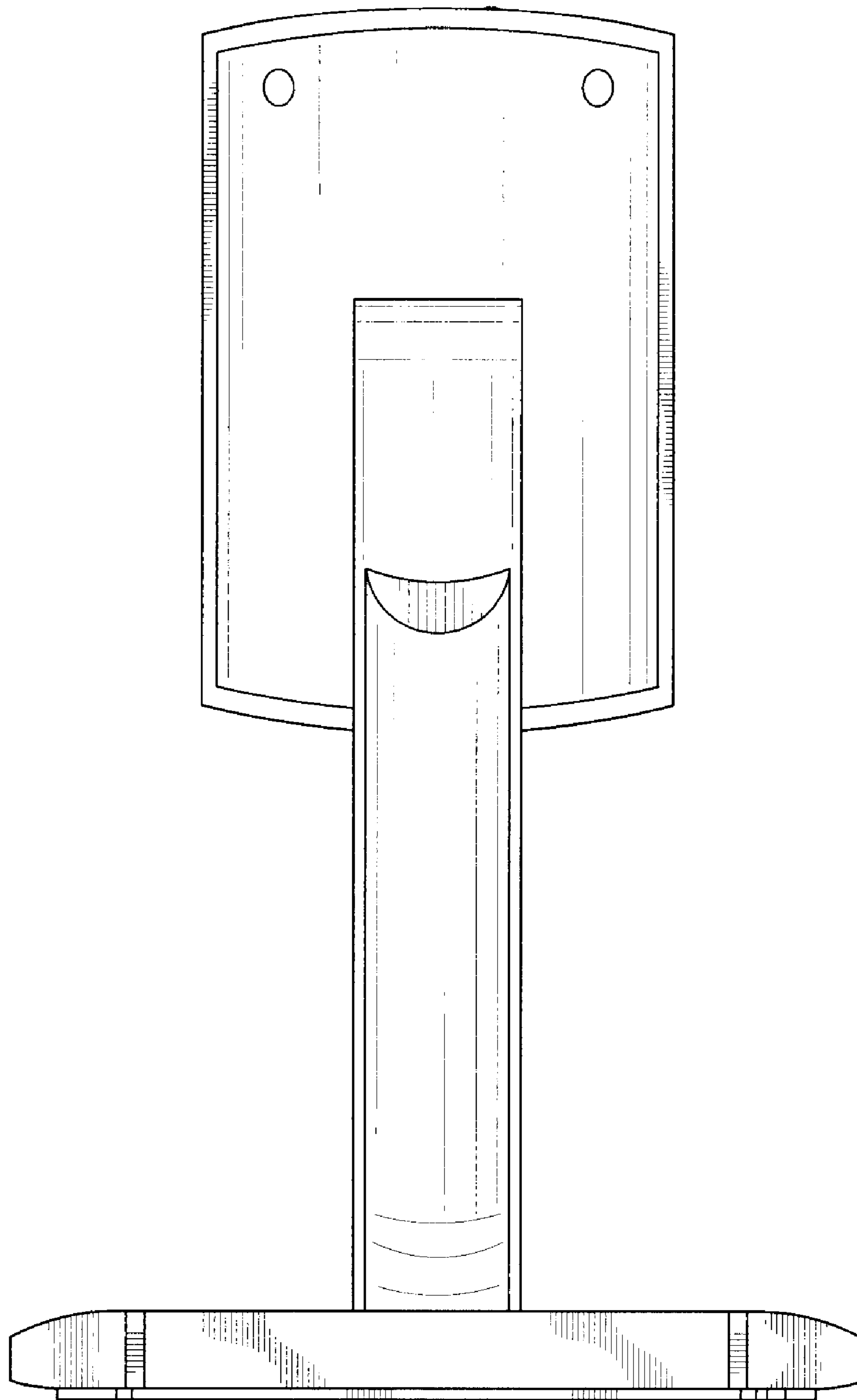


FIG. 7