



US00D512693S

(12) **United States Design Patent**
Kim et al.

(10) **Patent No.: US D512,693 S**

(45) **Date of Patent: ** Dec. 13, 2005**

(54) **LIGHT-EMITTING DIODE**

(75) Inventors: **Chang Wook Kim**, Anyang (KR);
Chan Wang Park, Sungnam (KR);
Won Young Choi, Suwon (KR)

(73) Assignee: **Samsung Electro-Mechanics Co., Ltd.**
(KR)

(**) Term: **14 Years**

(21) Appl. No.: **29/220,170**

(22) Filed: **Dec. 27, 2004**

(30) **Foreign Application Priority Data**

Jun. 28, 2004 (KR) 30-2004-0019293

(51) **LOC (6) Cl. 13-03**

(52) **U.S. Cl. D13/180**

(58) **Field of Search** D13/180; D26/2;
257/79, 80, 81, 82, 88, 89, 95, 98, 99,
100, 433, 434, 666; 313/483, 498, 500;
361/820; 362/235, 555, 800; 372/45

(56) **References Cited**

U.S. PATENT DOCUMENTS

D489,677 S * 5/2004 Ishida D13/100

D500,292 S * 12/2004 Ishida D13/180
D500,294 S * 12/2004 Ishida D13/180
D501,831 S * 2/2005 Ishida D13/180

FOREIGN PATENT DOCUMENTS

JP 30-0294490 A 3/2002

* cited by examiner

Primary Examiner—Stella Reid

Assistant Examiner—Selina Sikder

(74) *Attorney, Agent, or Firm*—The Webb Law Firm

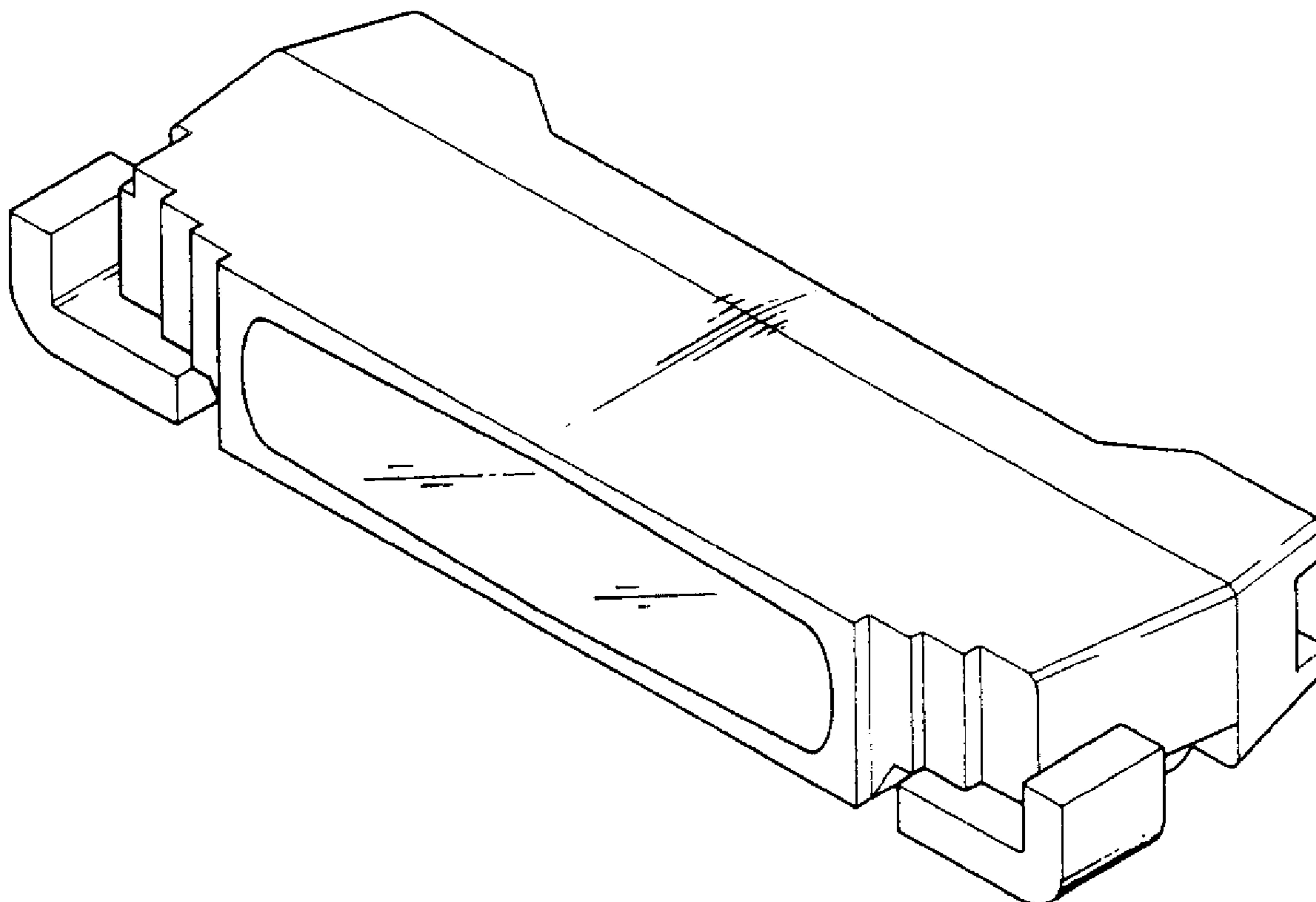
(57) **CLAIM**

The ornamental design for a light-emitting diode, as shown and described.

DESCRIPTION

FIG. 1 is a perspective view of a light-emitting diode;
FIG. 2 is a front view thereof;
FIG. 3 is a rear view thereof;
FIG. 4 is a left side view thereof;
FIG. 5 is a right side view thereof;
FIG. 6 is a top plan view thereof; and,
FIG. 7 is a bottom view thereof.

1 Claim, 2 Drawing Sheets



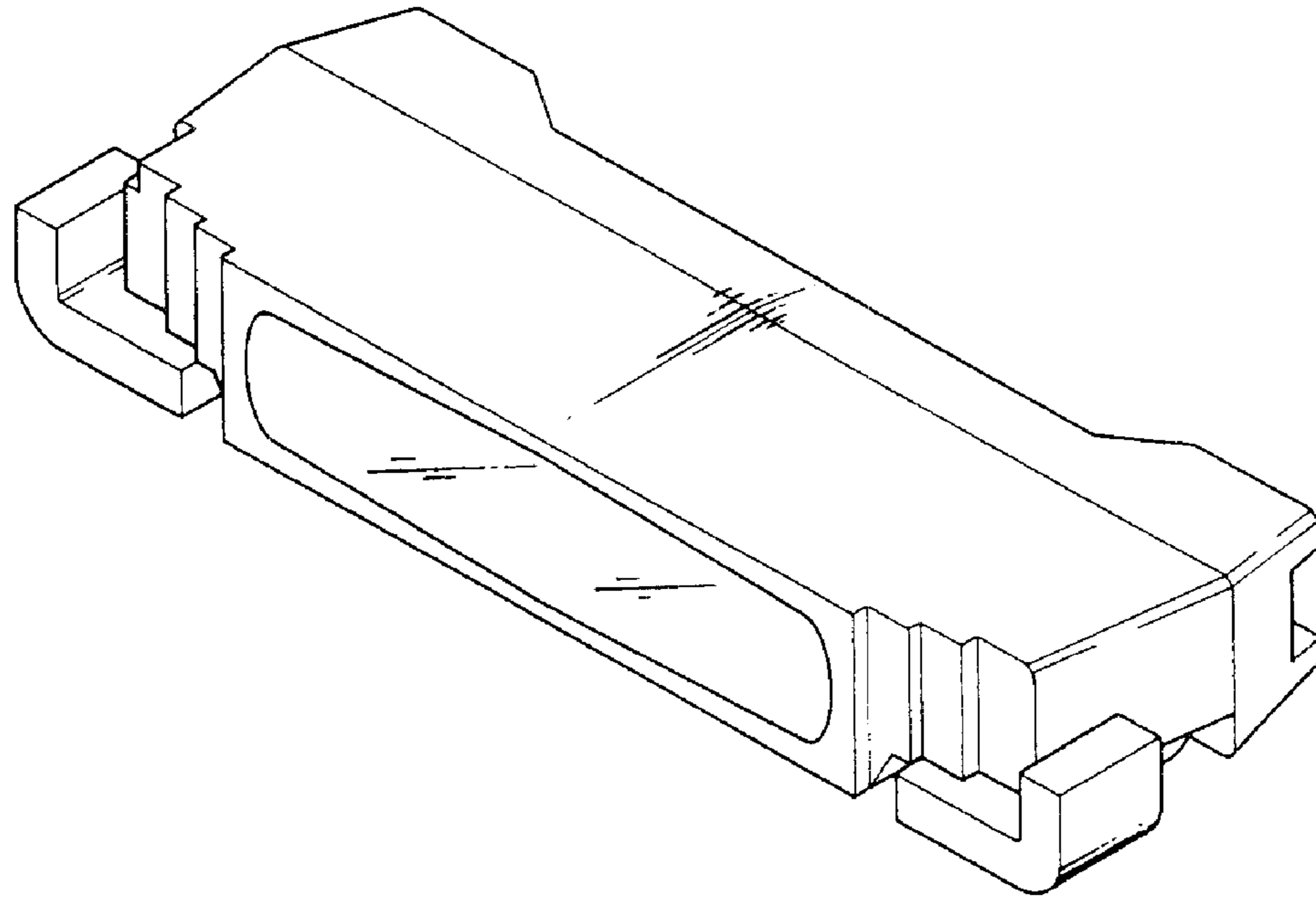


FIG. 1

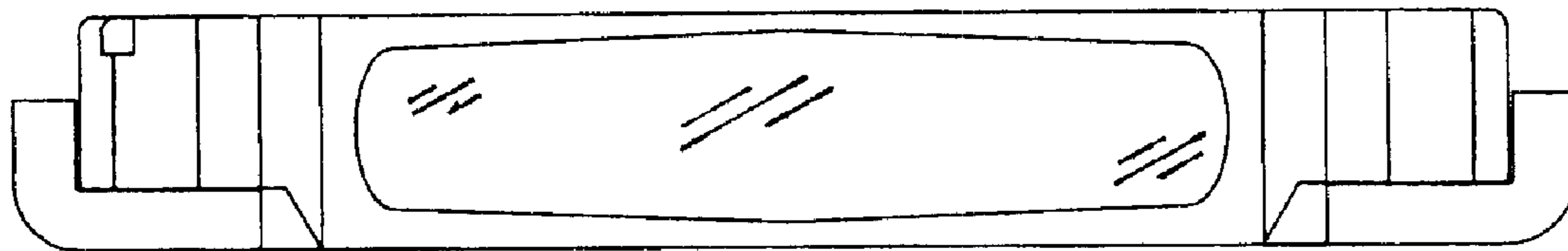


FIG. 2

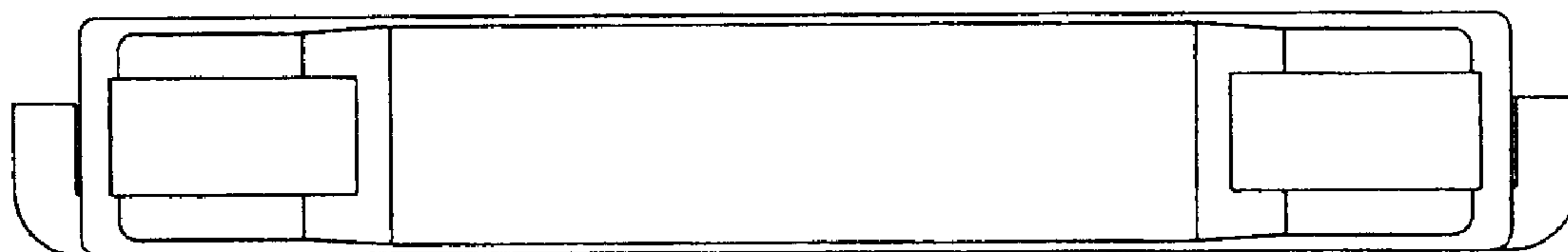


FIG. 3

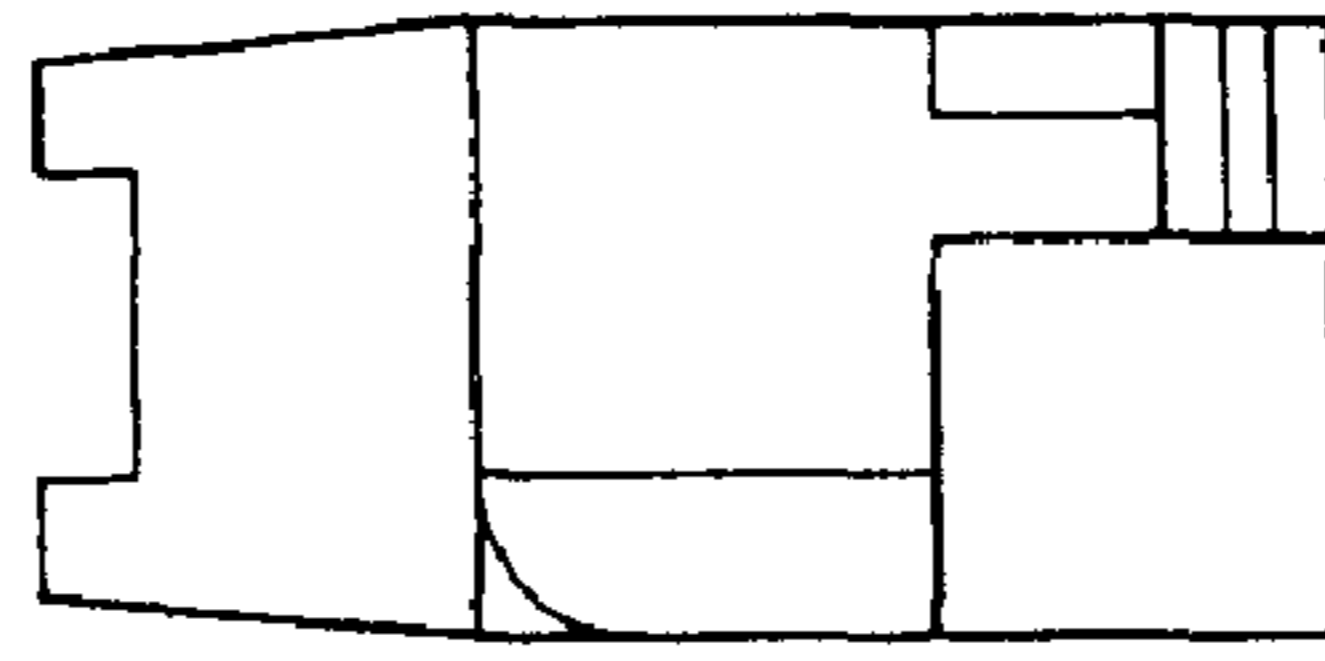


FIG. 4

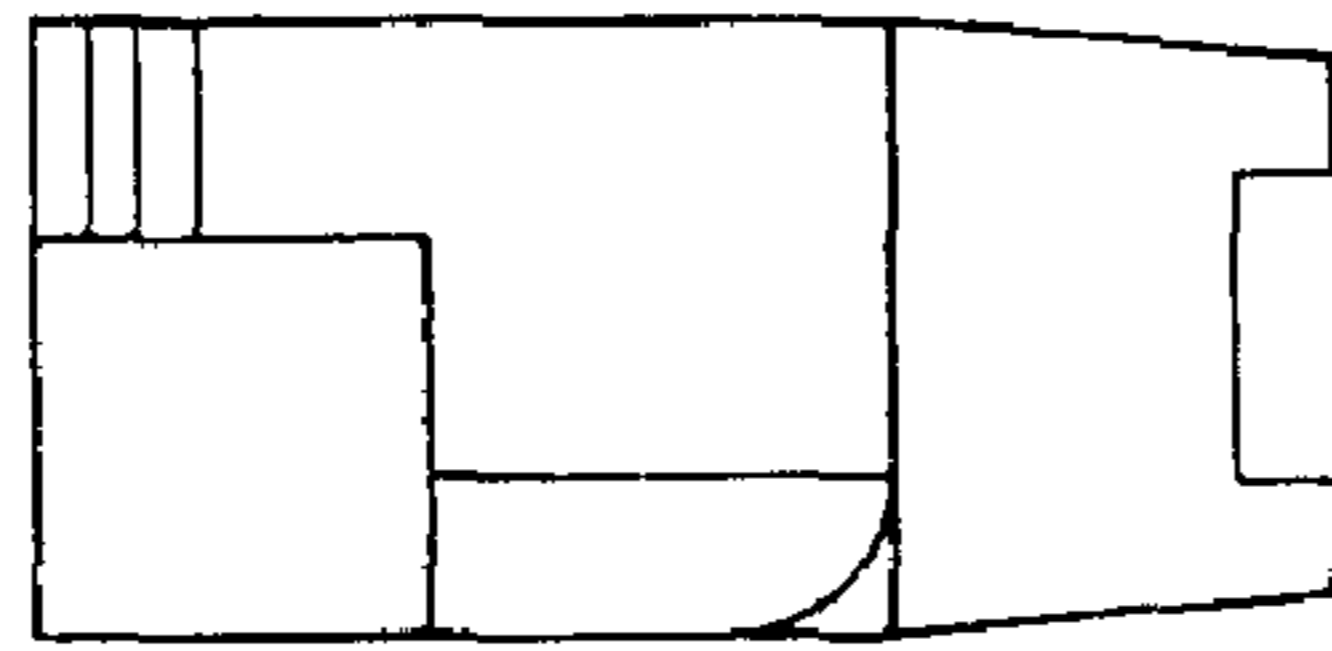


FIG. 5

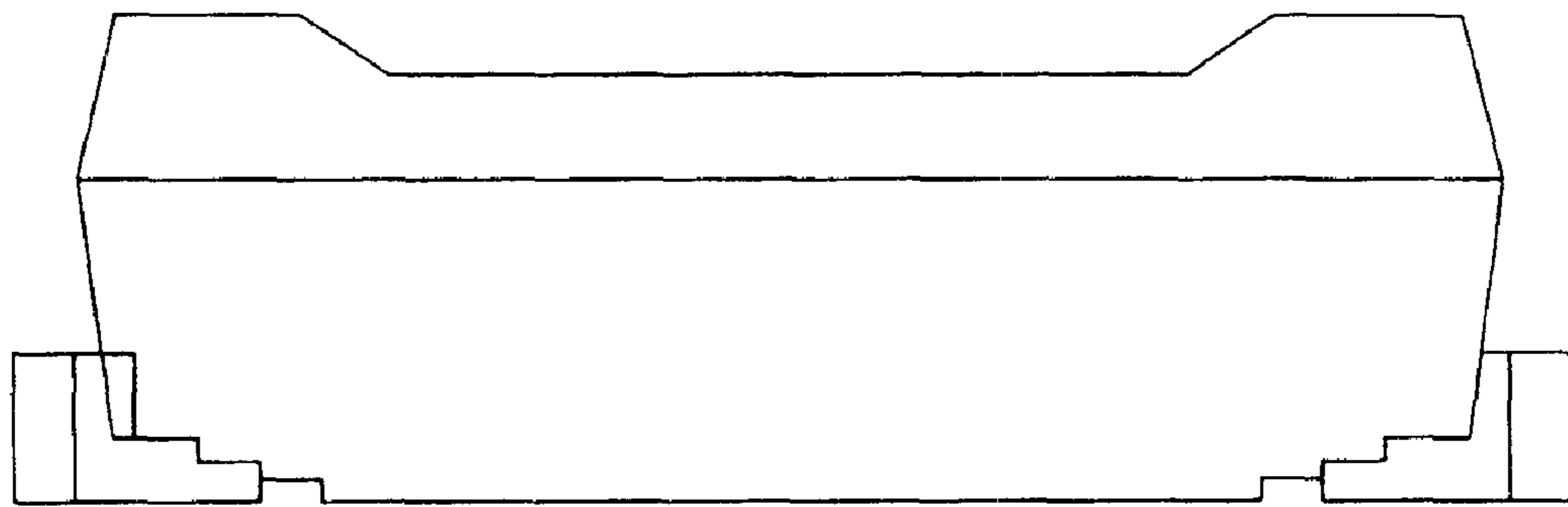


FIG. 6

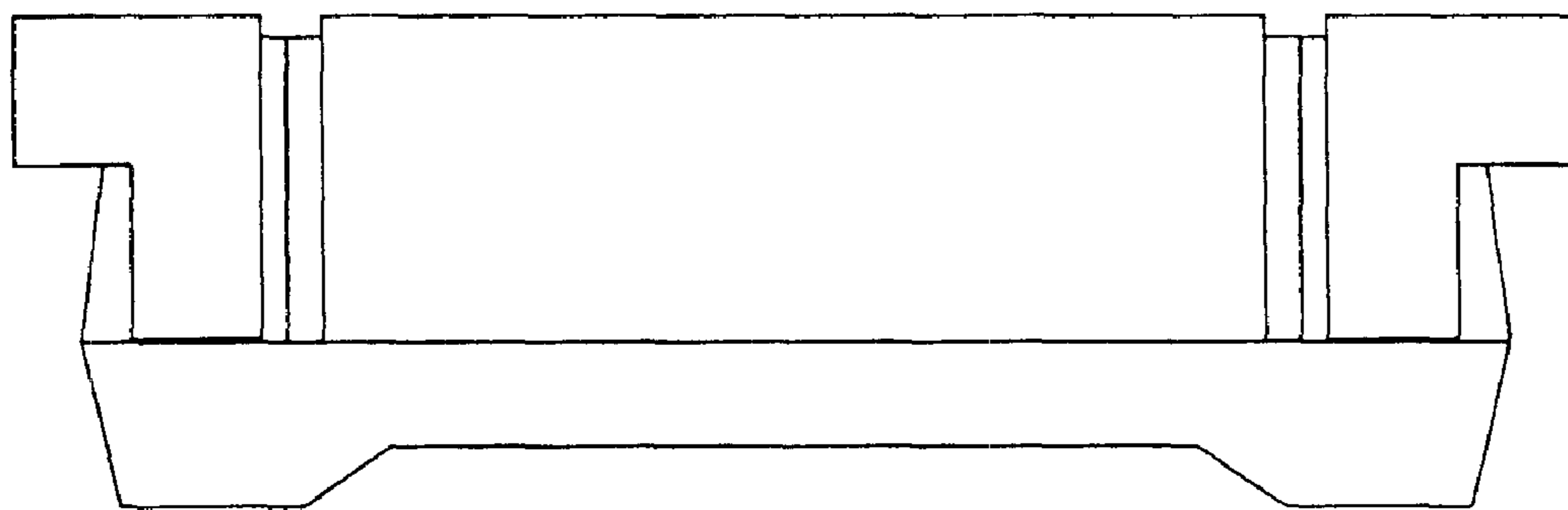


FIG. 7