



US00D512691S

(12) **United States Design Patent** (10) **Patent No.:** **US D512,691 S**  
**Hisatsune** (45) **Date of Patent:** **\*\* Dec. 13, 2005**

(54) **REMOTE CONTROLLER**

(75) Inventor: **Toshiyuki Hisatsune**, Tokyo (JP)

(73) Assignee: **Sony Corporation**, Tokyo (JP)

(\*\*) Term: **14 Years**

(21) Appl. No.: **29/189,022**

(22) Filed: **Aug. 28, 2003**

(51) **LOC (6) Cl.** ..... **13-03**

(52) **U.S. Cl.** ..... **D13/164**

(58) **Field of Search** ..... D13/162, 164,  
D13/168; D10/49; 340/825.22, 825.24;  
361/601, 622, 628, 627, 679, 680, 681,  
690, 728; 700/17, 18, 83

(56) **References Cited**

**U.S. PATENT DOCUMENTS**

D263,207	S	*	3/1982	Bickley et al.	.....	D10/80
D267,944	S	*	2/1983	Vintzel et al.	.....	D13/164
D294,566	S	*	3/1988	Boytor	.....	D13/164
5,237,327	A	*	8/1993	Saitoh et al.	.....	341/176
5,850,333	A	*	12/1998	Owanesian et al.	.....	361/704
D406,830	S	*	3/1999	Herbstritt et al.	.....	D13/162
D421,436	S		3/2000	Matsuoka		
D429,230	S		8/2000	Shiono		
D434,397	S		11/2000	Sasago		
D464,328	S	*	10/2002	Vasquez et al.	.....	D13/164
2002/0055791	A1	*	5/2002	Okamoto	.....	700/83
2004/0230321	A1	*	11/2004	Golz et al.	.....	700/17

**OTHER PUBLICATIONS**

Web page "RM-AV3000U" <http://www.yodobashi.com/enjoy/search.jsp?dbname=local&key=RM-AV3000U&sub...>, 1 sheet, Yodobashi Camera (Aug. 2003).

\* cited by examiner

*Primary Examiner*—Stella Reid  
*Assistant Examiner*—Selina Sikder

(74) *Attorney, Agent, or Firm*—Rader, Fishman & Grauer PLLC

(57) **CLAIM**

The ornamental design for a remote controller, as shown and described.

**DESCRIPTION**

FIG. 1 is a perspective view of a remote controller showing my new design;

FIG. 2 is a front elevational view thereof;

FIG. 3 is a rear elevational view thereof;

FIG. 4 is a left side elevational view thereof;

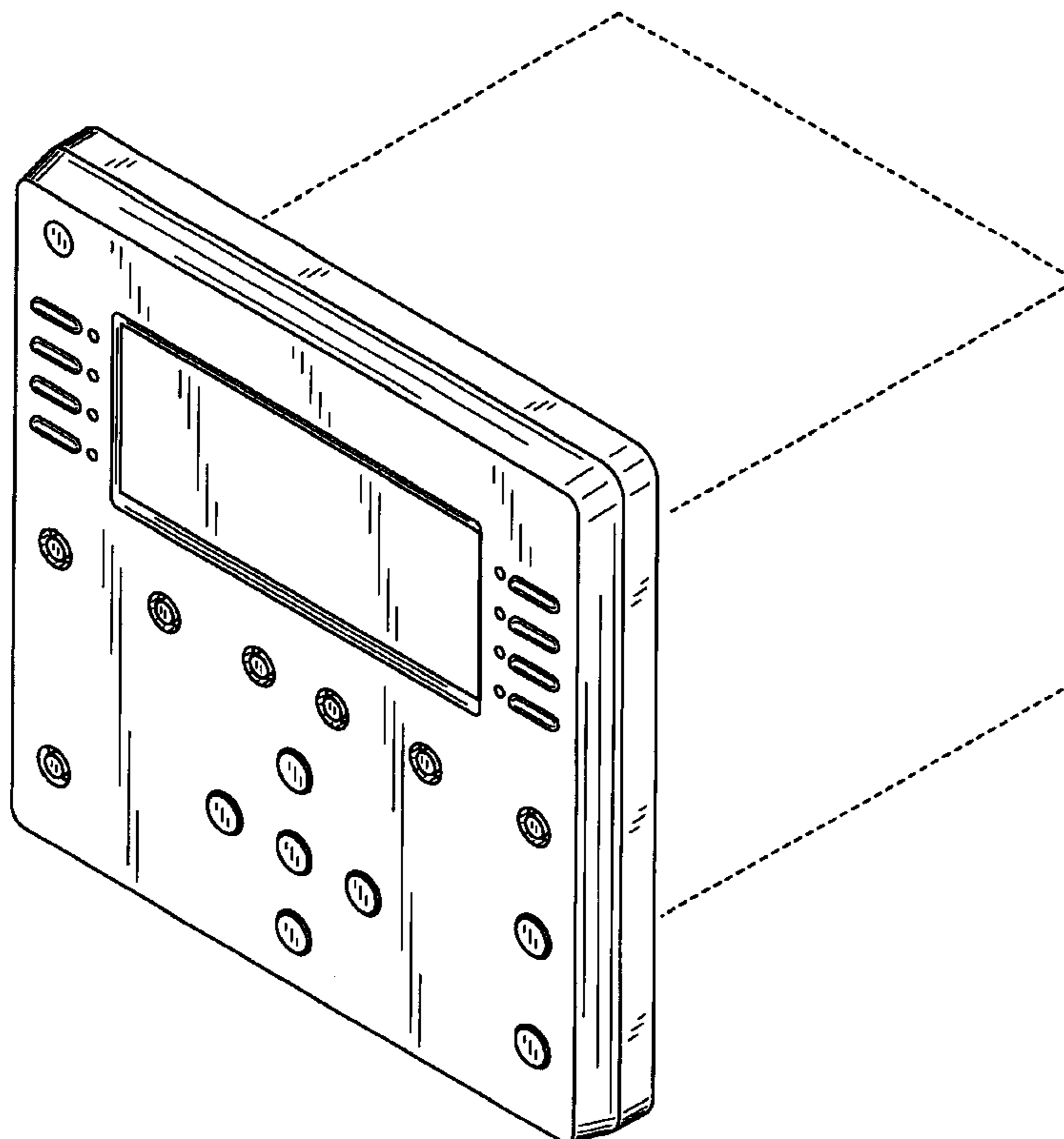
FIG. 5 is a right side elevational view thereof;

FIG. 6 is a top plan view thereof; and,

FIG. 7 is a bottom plan view thereof.

Portions of FIGS. 1 and 3-7 that appear as broken lines are for illustrative purposes only and form no part of the claimed design.

**1 Claim, 4 Drawing Sheets**



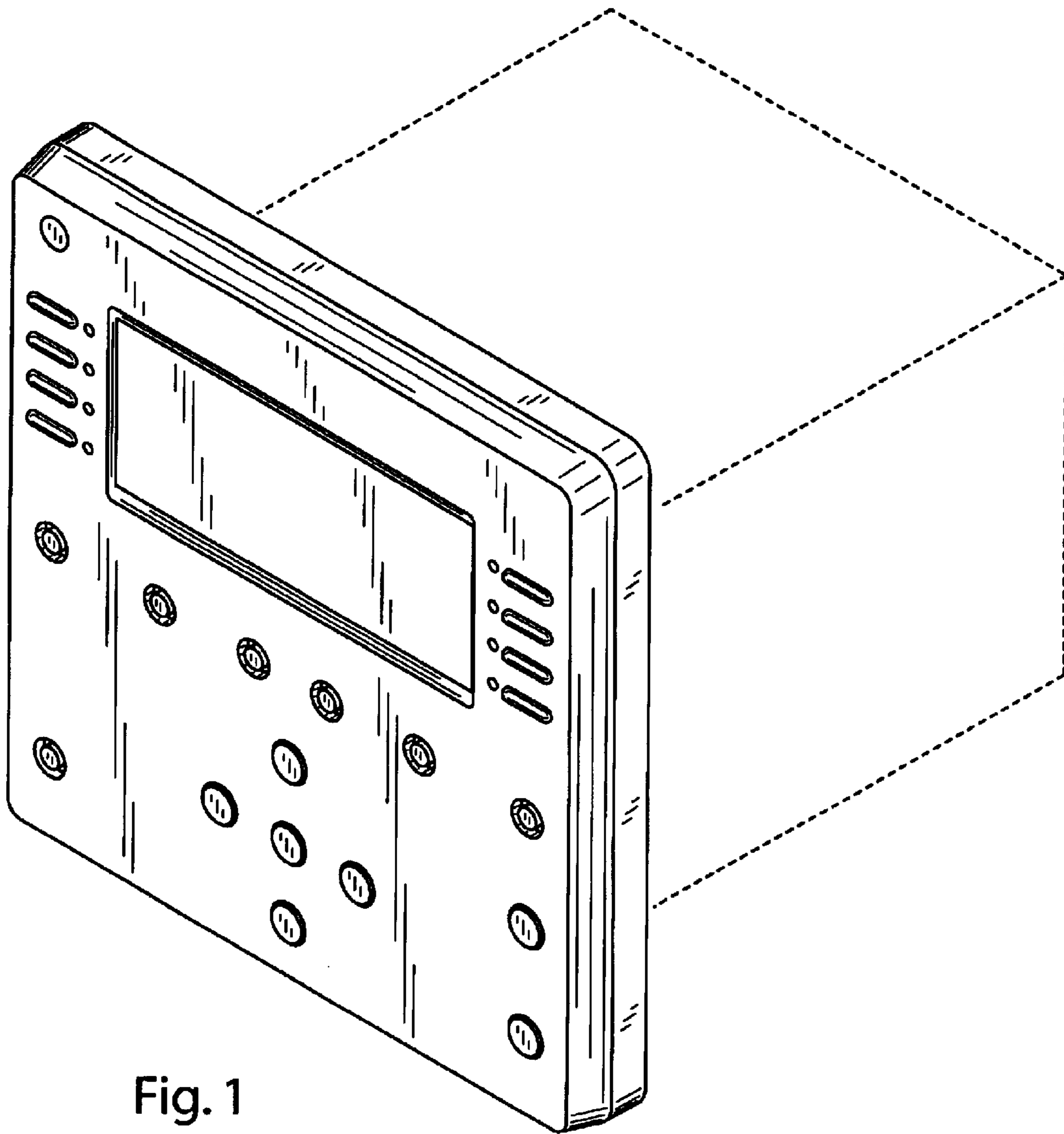


Fig. 1

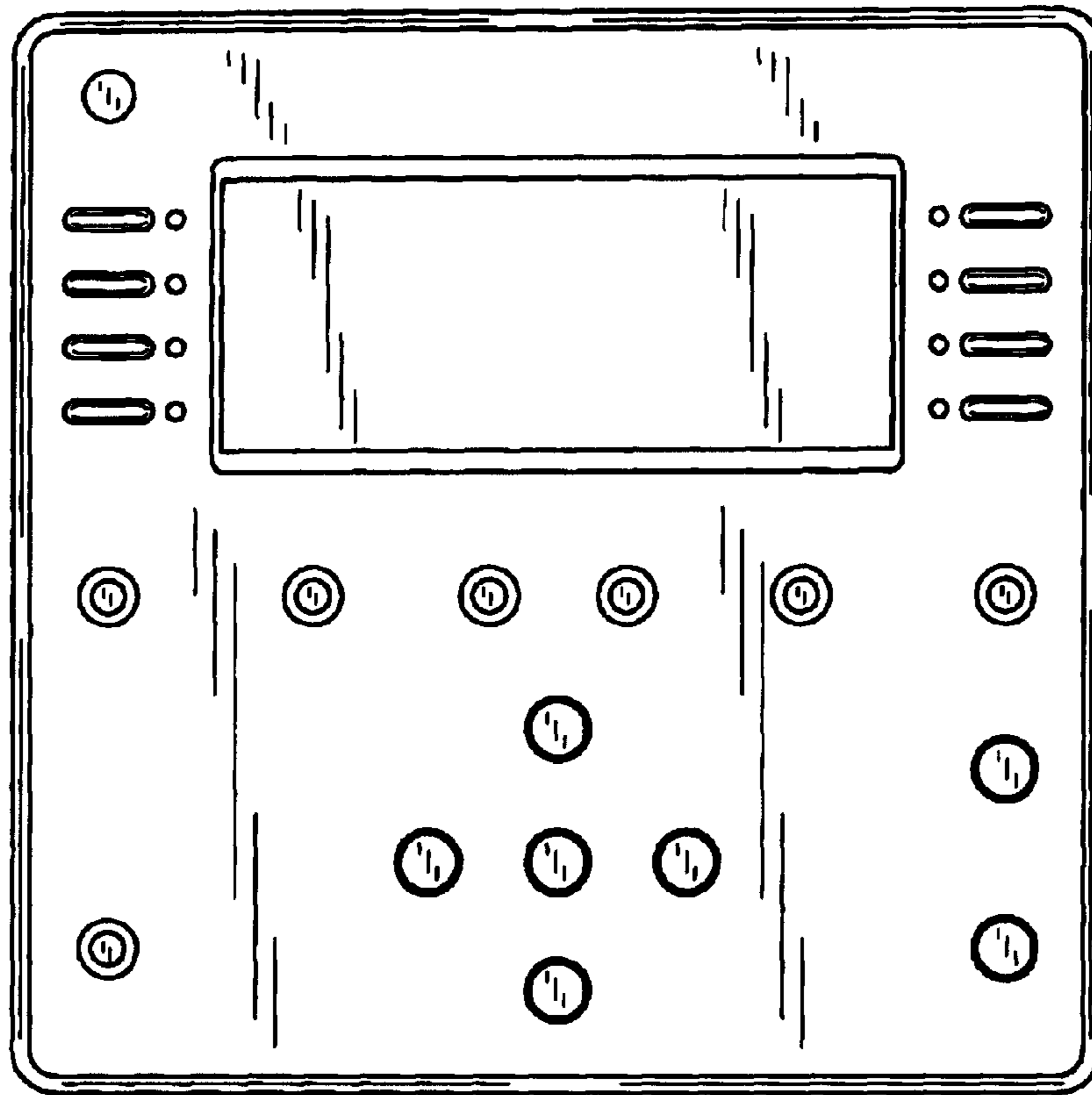


Fig. 2

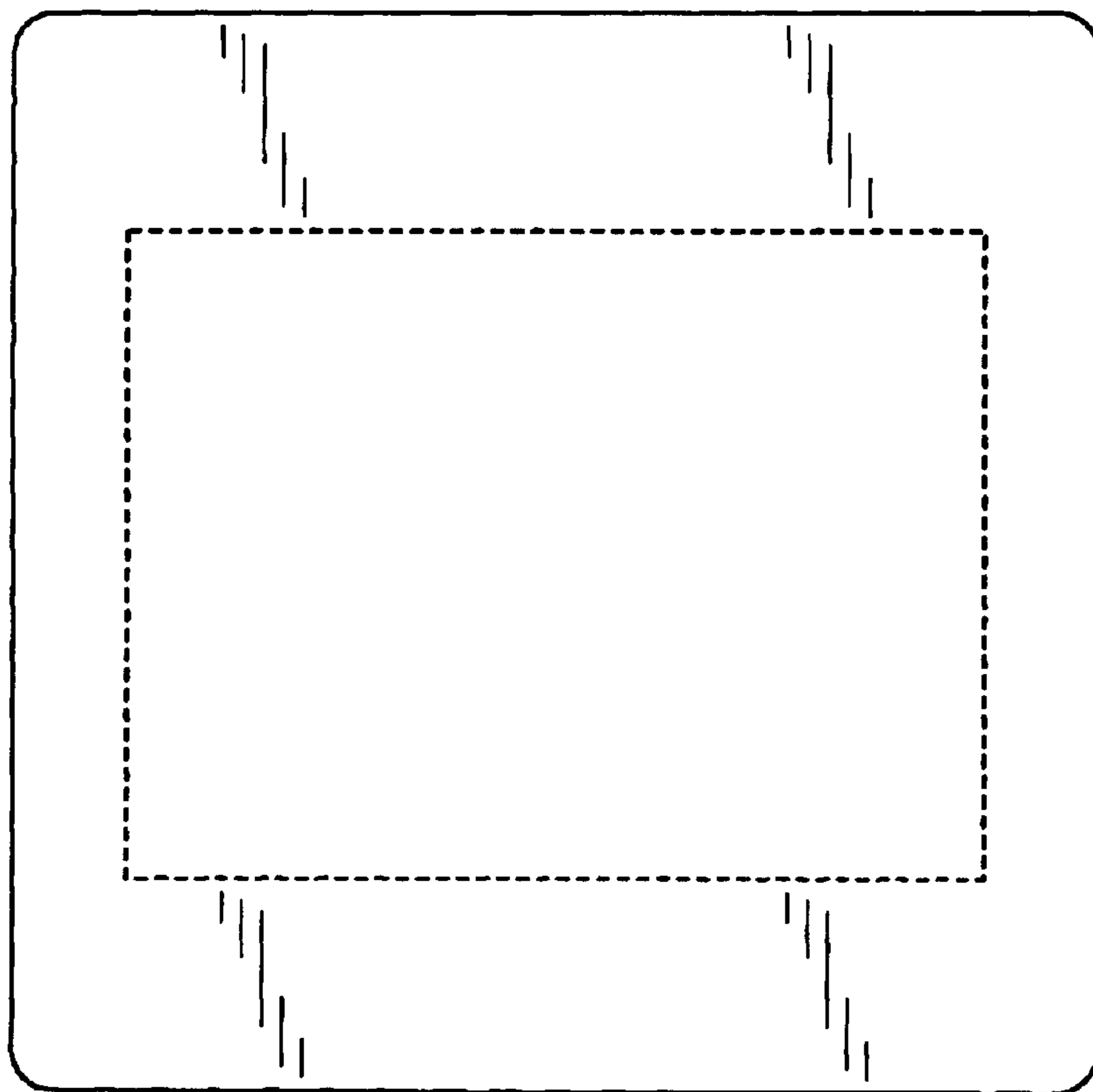


Fig. 3

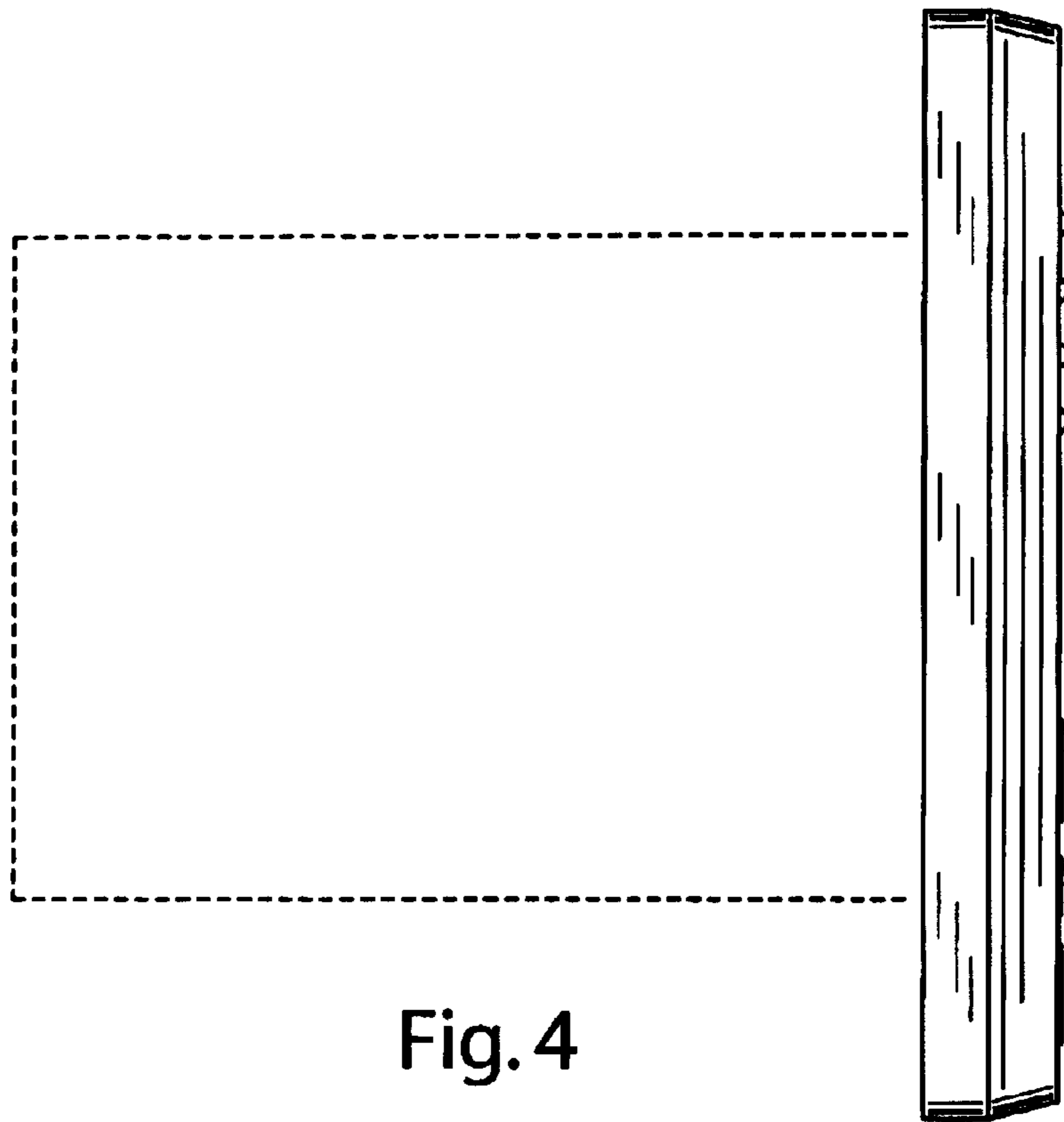


Fig. 4

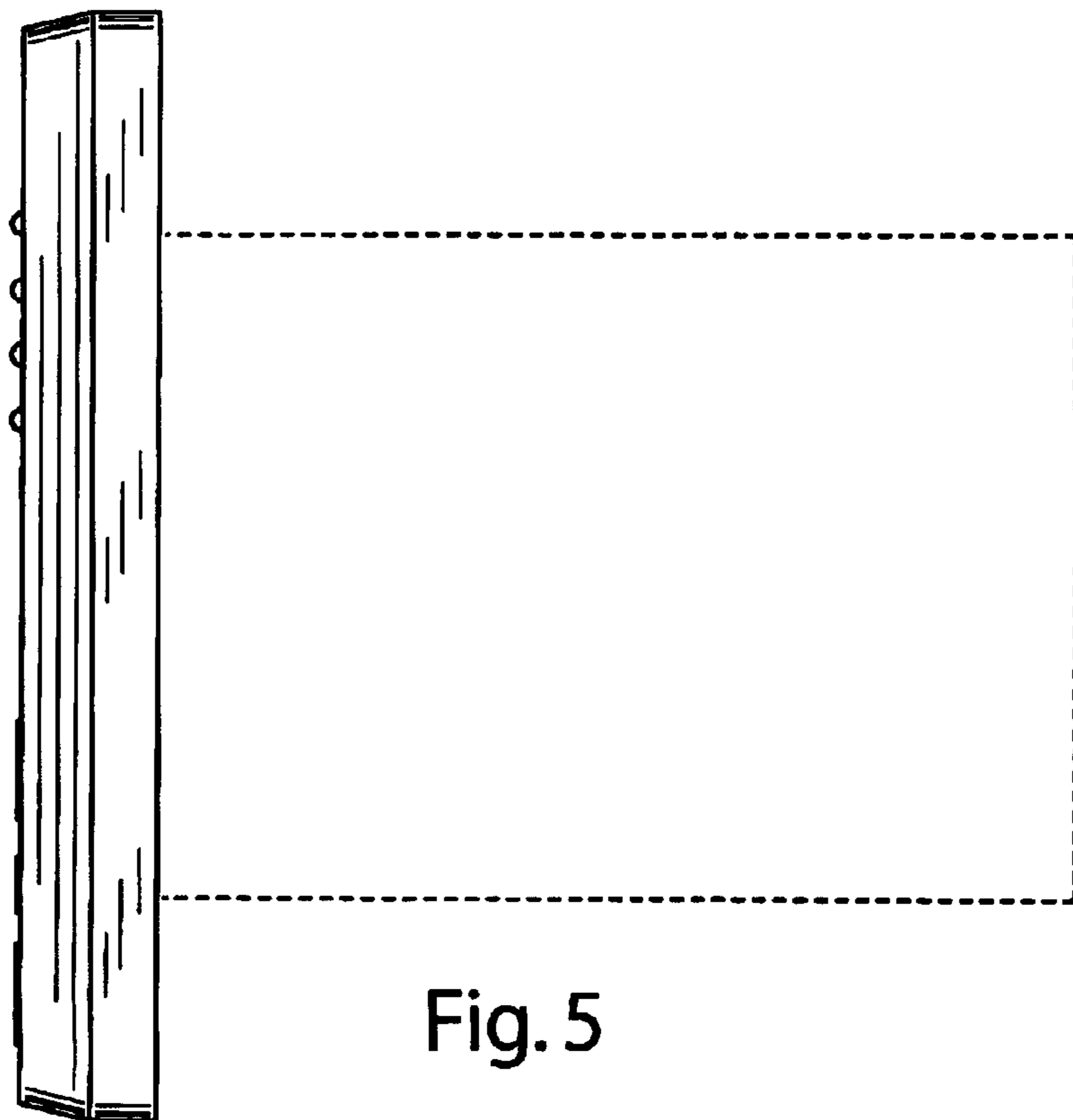


Fig. 5

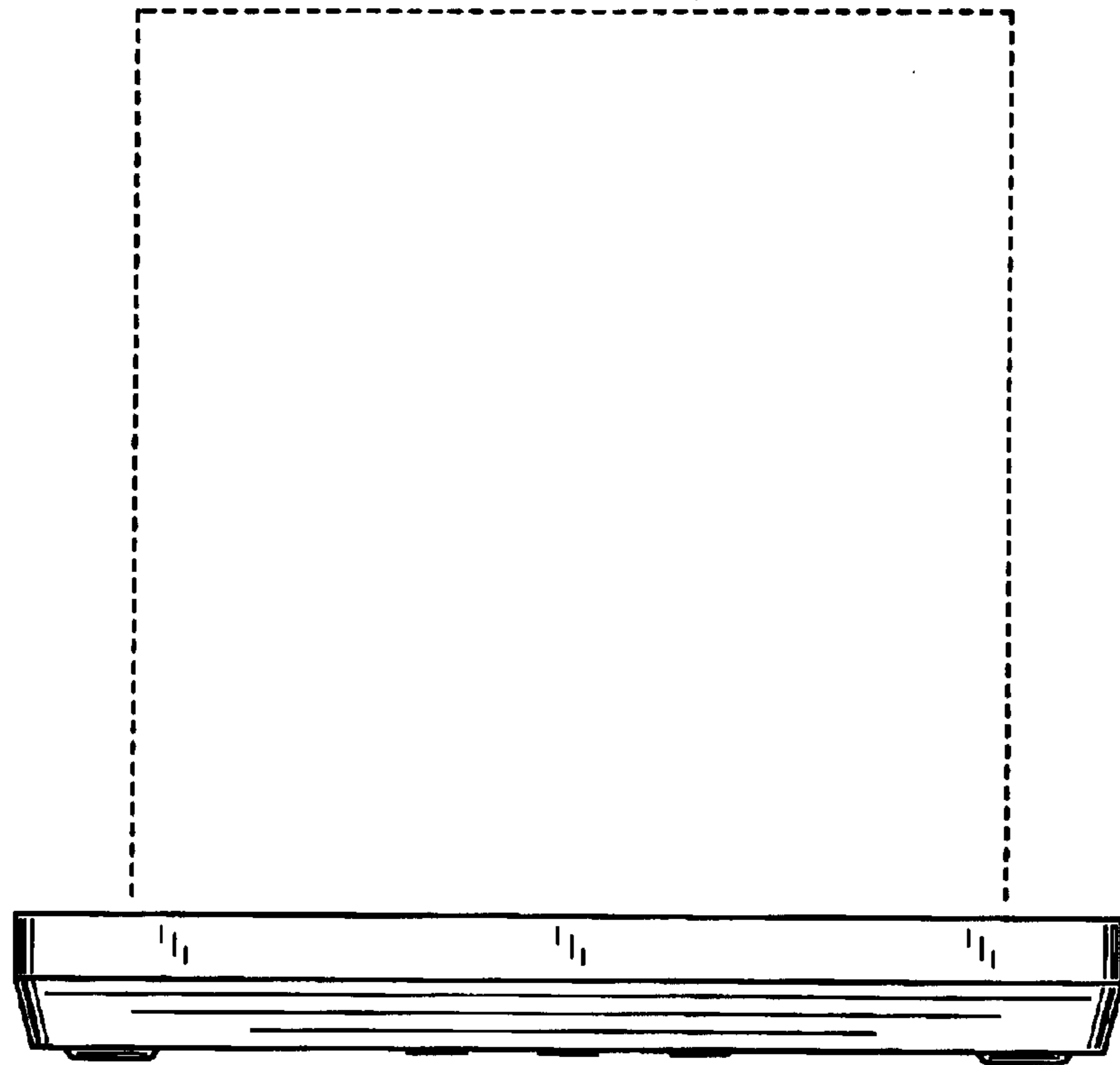


Fig. 6

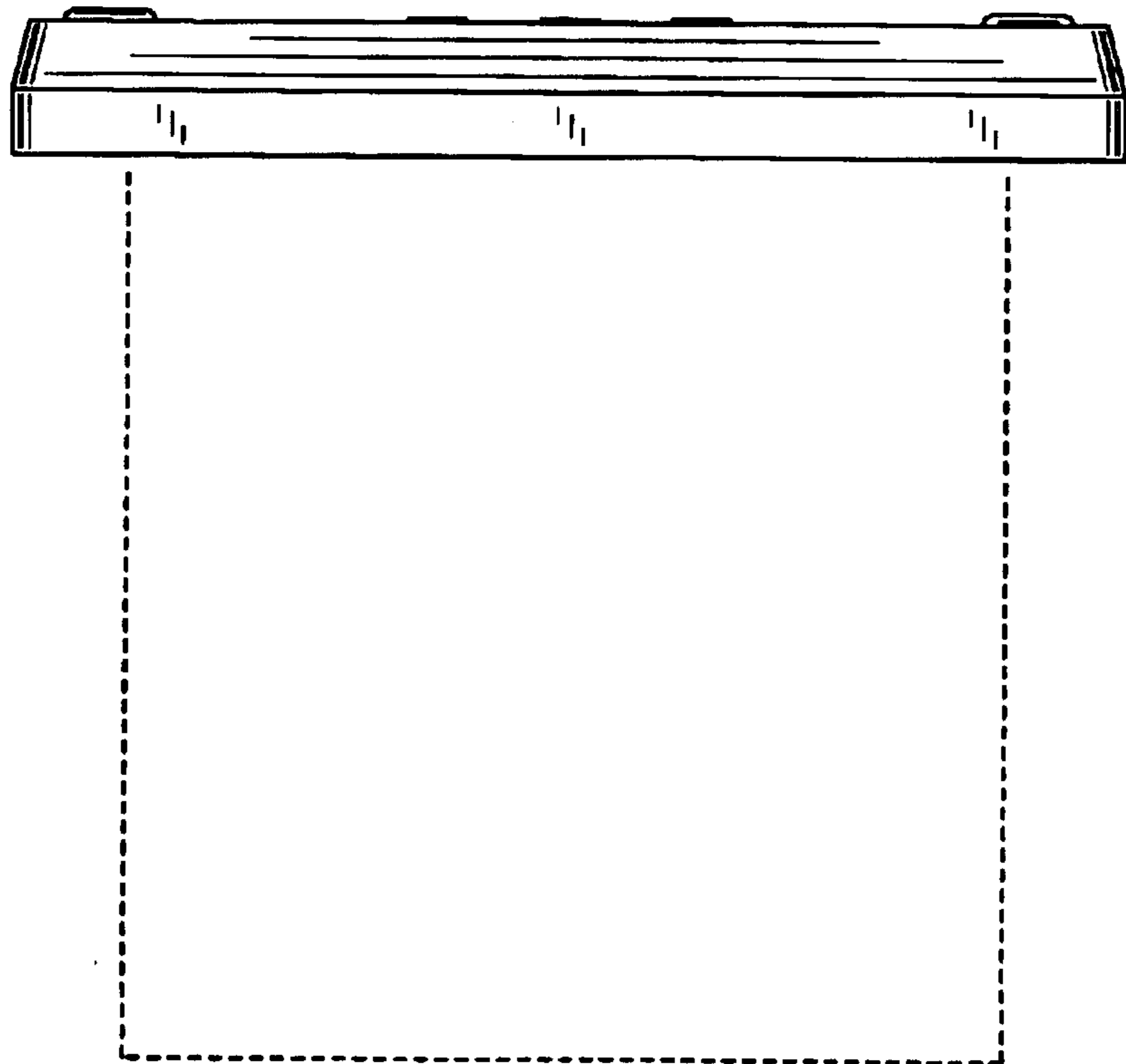


Fig. 7