



US00D512689S

(12) **United States Design Patent**  
**Murphy et al.**

(10) **Patent No.: US D512,689 S**

(45) **Date of Patent: \*\* Dec. 13, 2005**

(54) **COAXIAL CONNECTOR**

(75) Inventors: **Kathryn M. R. Murphy**, Paradise Valley, AZ (US); **Donald Andrew Burris**, Peoria, AZ (US); **James David Johnson**, Phoenix, AZ (US); **William Frederick McDade**, Glendale, AZ (US)

(73) Assignee: **Corning Gilbert Inc.**, Glendale, AZ (US)

(\*\*) Term: **14 Years**

(21) Appl. No.: **29/216,920**

(22) Filed: **Nov. 9, 2004**

(51) **LOC (6) Cl. .... 13-03**

(52) **U.S. Cl. .... D13/151**

(58) **Field of Search** ..... D13/133, 149, D13/151, 154, 184, 199; 439/13, 20, 22, 135, 246, 306, 480, 476.1, 578, 583-585, 805

(56) **References Cited**

**U.S. PATENT DOCUMENTS**

3,104,145	A	*	9/1963	Somerset	.....	439/584
3,320,575	A	*	5/1967	Brown et al.	.....	439/584
3,587,033	A	*	6/1971	Brorein et al.	.....	439/322
4,059,330	A	*	11/1977	Shirey	.....	439/578
4,213,664	A	*	7/1980	McClenan	.....	439/95
D355,641	S	*	2/1995	Down	.....	D13/151
D440,539	S	*	4/2001	Montena	.....	D13/133
D440,939	S	*	4/2001	Montena	.....	D13/133
D476,957	S	*	7/2003	Chudoba et al.	.....	D13/151

\* cited by examiner

*Primary Examiner*—Stella Reid

*Assistant Examiner*—Daniel Bui

(74) *Attorney, Agent, or Firm*—Marvin A. Glazer; Joseph M. Homa

(57) **CLAIM**

The ornamental design for a coaxial connector, as shown and described.

**DESCRIPTION**

Design patent application Ser. No. 29/216,935 filed concurrently herewith, entitled “Coaxial Connector;” naming Kathryn M. R. Murphy, et al. as the inventors, commonly assigned to Corning Gilbert Inc.; Design patent application Ser. No. 29/216,908 filed concurrently herewith, entitled “Coaxial Connector;” naming Donald Andrew Burris, et al. as the inventors, commonly assigned to Corning Gilbert Inc.; and Design patent application Ser. No. 29/216,938 filed concurrently herewith, entitled “Coaxial Connector;” naming James David Johnson, et al. as the inventors, commonly assigned to Corning Gilbert Inc.

FIG. 1 is a top, side, and front perspective view of a coaxial connector showing our new design;

FIG. 2 is a top, side, and rear perspective view thereof;

FIG. 3 is a top plan view thereof;

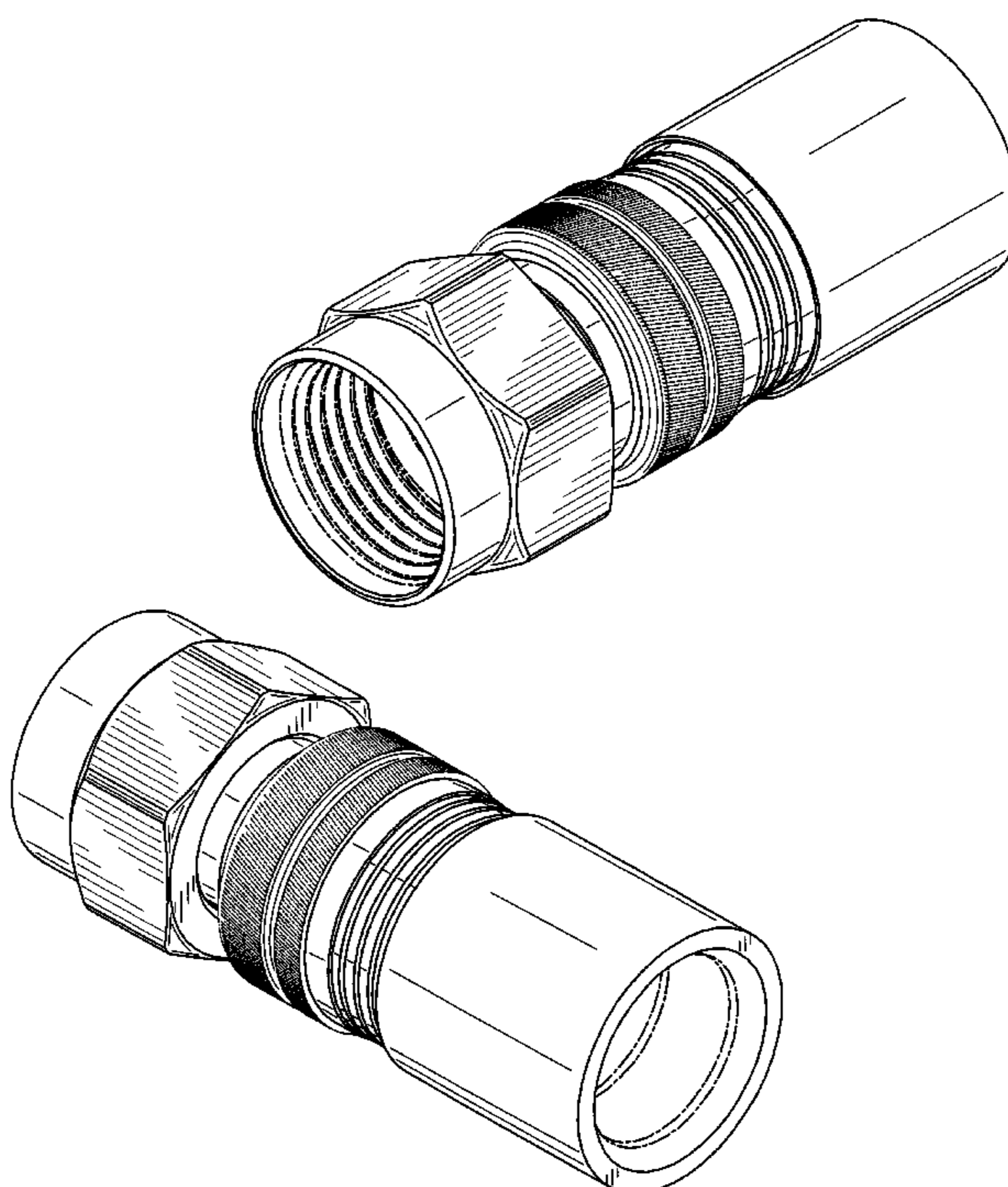
FIG. 4 is a right elevational view thereof;

FIG. 5 is a front end view thereof; and,

FIG. 6 is a rear end view thereof.

The purpose of broken lines in the drawing, including broken lines internal to the coaxial connector and broken lines on the outer surface of the connector depicting knurled bands, merely illustrate environmental structure or boundaries that form no part of the design to be patented via the present application.

**1 Claim, 5 Drawing Sheets**



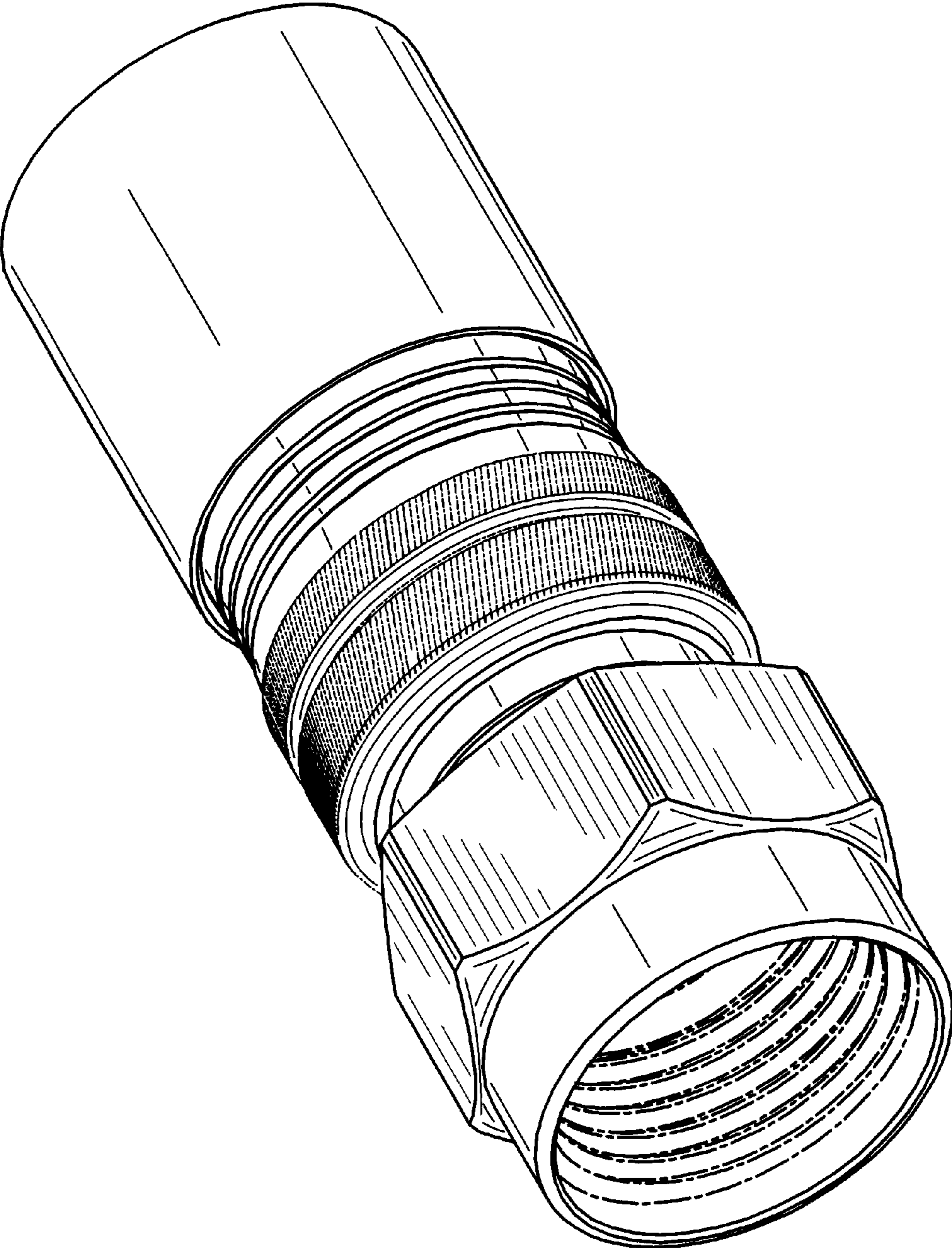


FIG. 1

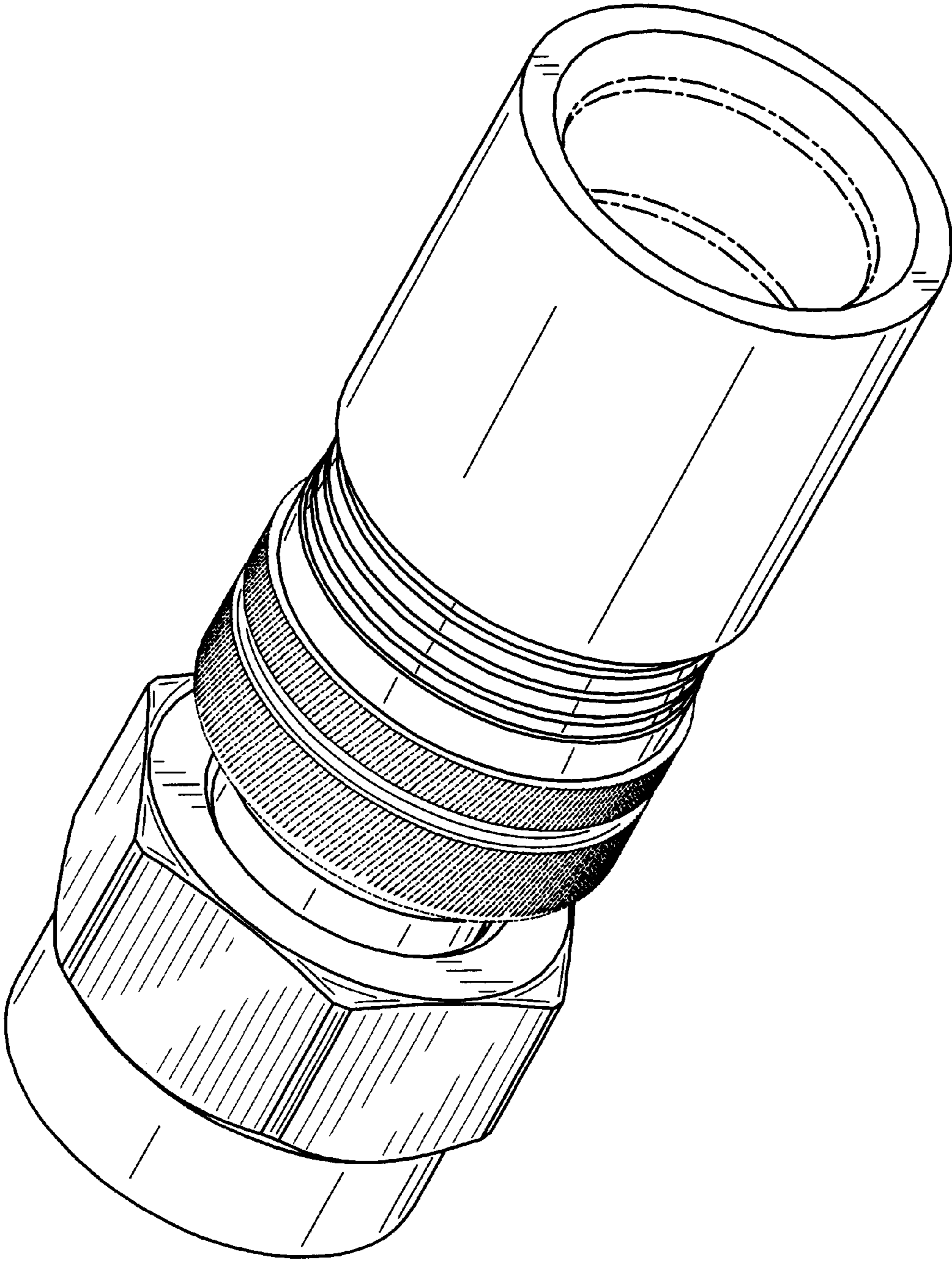


FIG. 2

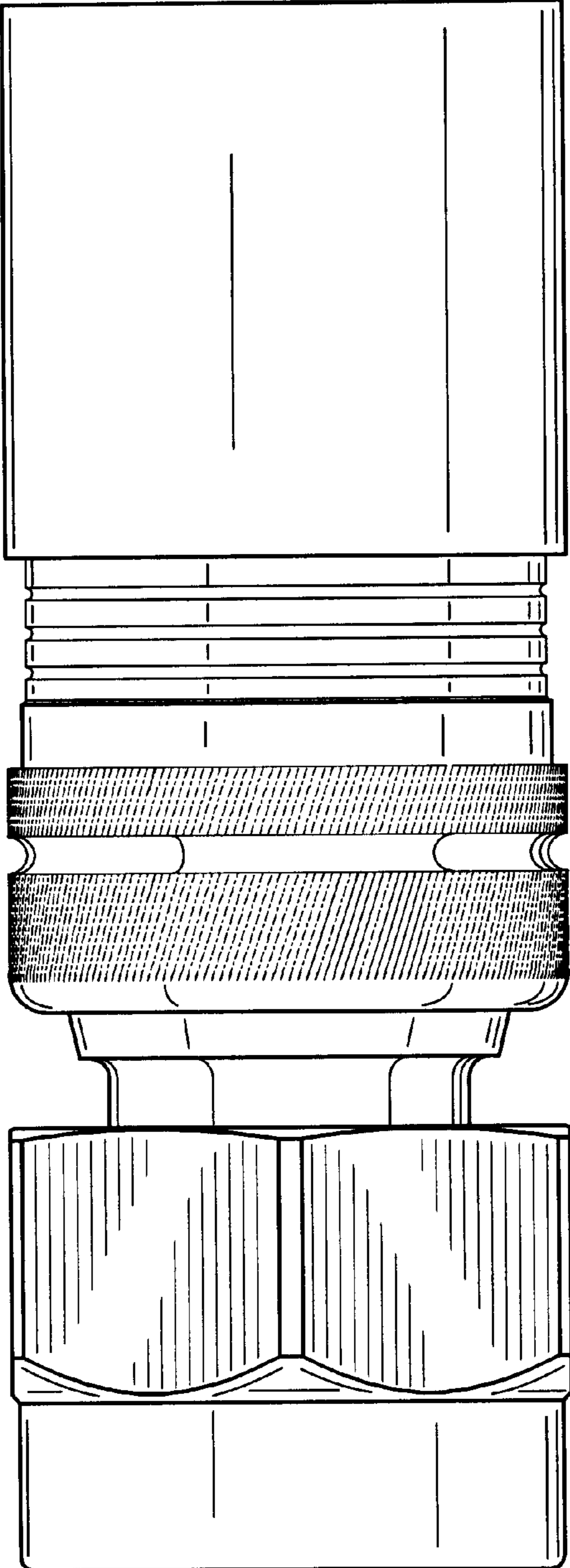


FIG. 3

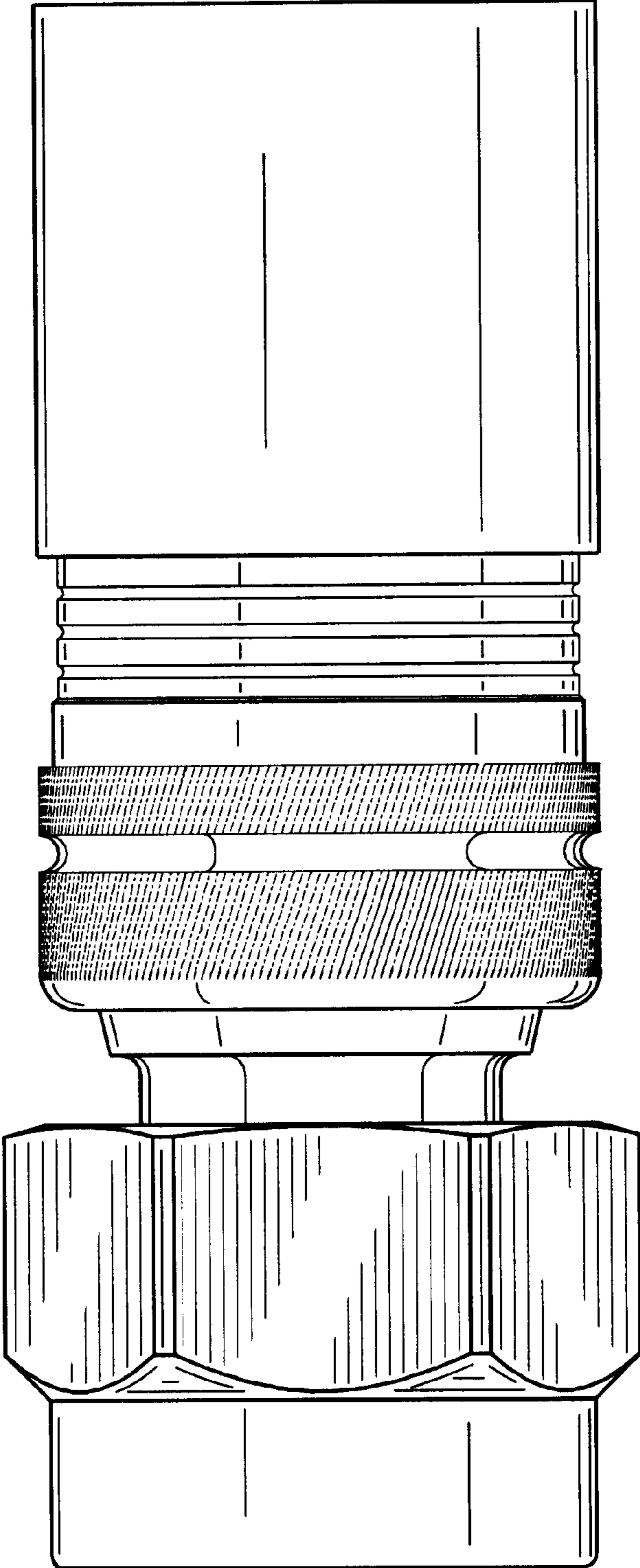


FIG. 4

FIG. 6

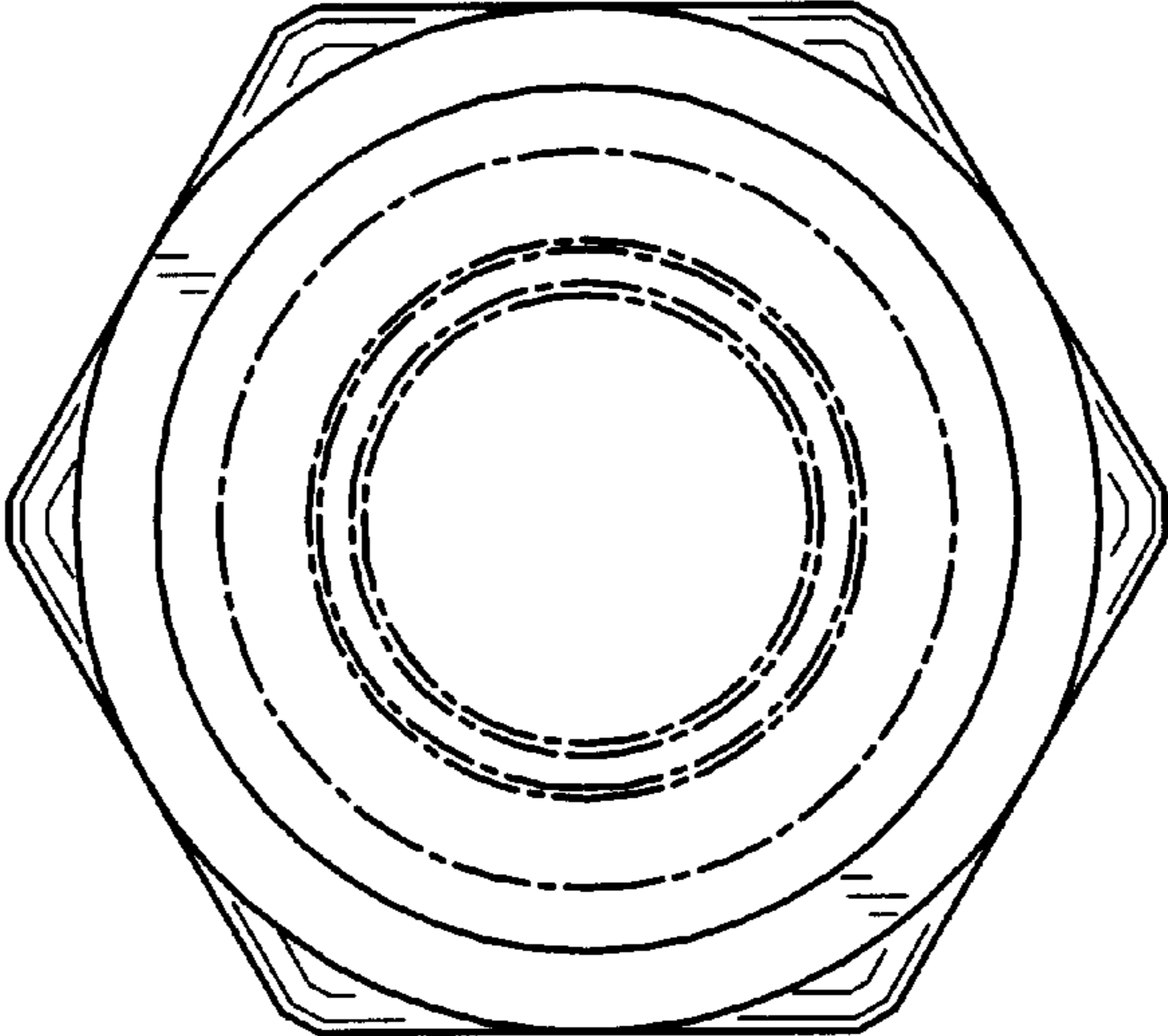


FIG. 5

