



US00D512688S

(12) **United States Design Patent**
Li

(10) **Patent No.:** **US D512,688 S**

(45) **Date of Patent:** **** Dec. 13, 2005**

(54) **CABLE END CONNECTOR**

(75) **Inventor:** **Xiao Li Li, Kunsan (CN)**

(73) **Assignee:** **Hon Hai Precision Ind. Co., Ltd.,
Taipei Hsien (TW)**

(**) **Term:** **14 Years**

(21) **Appl. No.:** **29/207,687**

(22) **Filed:** **Jun. 16, 2004**

(30) **Foreign Application Priority Data**

Dec. 16, 2003 (CN) 2003301218266

(51) **LOC (6) Cl.** **13-03**

(52) **U.S. Cl.** **D13/147**

(58) **Field of Search** D13/133, 149,
D13/151, 154, 184, 199; 439/13, 20, 22,
135, 246, 306, 480, 476.1, 578, 583-585,
805

(56) **References Cited**

U.S. PATENT DOCUMENTS

- D351,135 S * 10/1994 Kurata D13/147
- D376,581 S * 12/1996 Suzuki D13/147
- D379,968 S * 6/1997 Tan et al. D13/147
- D412,154 S * 7/1999 Lok D13/147

- 5,934,942 A * 8/1999 Patel et al. 439/610
- D422,560 S * 4/2000 Lok D13/147
- D437,291 S * 2/2001 Ohtani D13/147
- D447,467 S * 9/2001 Hisada et al. D13/147
- D461,452 S * 8/2002 Yeh D13/147
- D470,819 S * 2/2003 Sass et al. D13/133
- D471,156 S * 3/2003 Sass et al. D13/133

* cited by examiner

Primary Examiner—Stella Reid
Assistant Examiner—Daniel Bui

(74) *Attorney, Agent, or Firm*—Wei Te Chung

(57) **CLAIM**

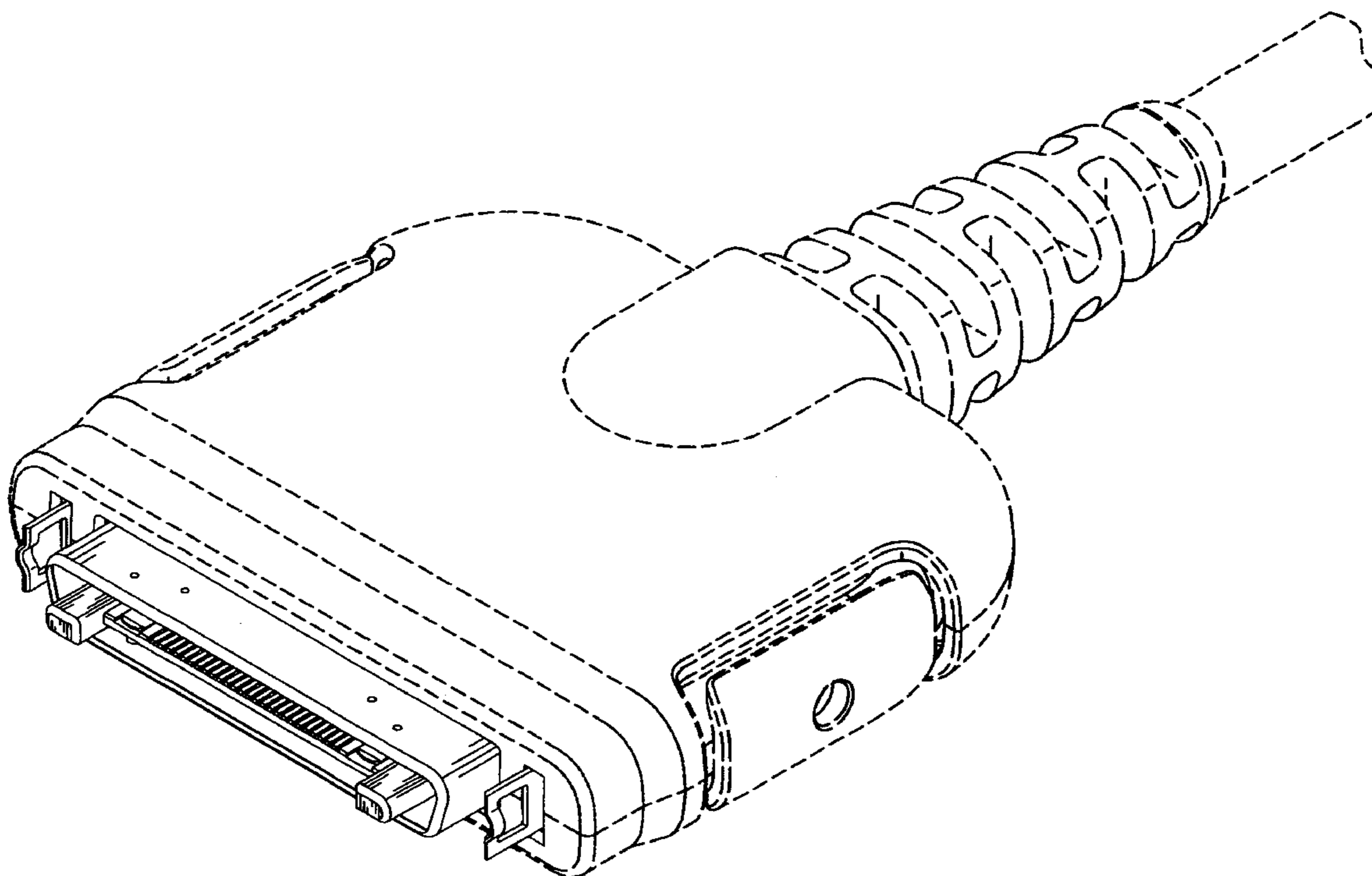
The ornamental design for a cable end connector, as shown and described.

DESCRIPTION

FIG. 1 is a front, top and right side perspective view of a cable end connector, showing our new design; FIG. 2 is a front elevation view thereof; FIG. 3 is a left side elevation view thereof; FIG. 4 is a right side elevation view thereof; FIG. 5 is a top plan view thereof; and, FIG. 6 is a bottom plan view thereof.

The broken line showing of the environment is for illustrative purposes only and forms no part of the claimed design.

1 Claim, 6 Drawing Sheets



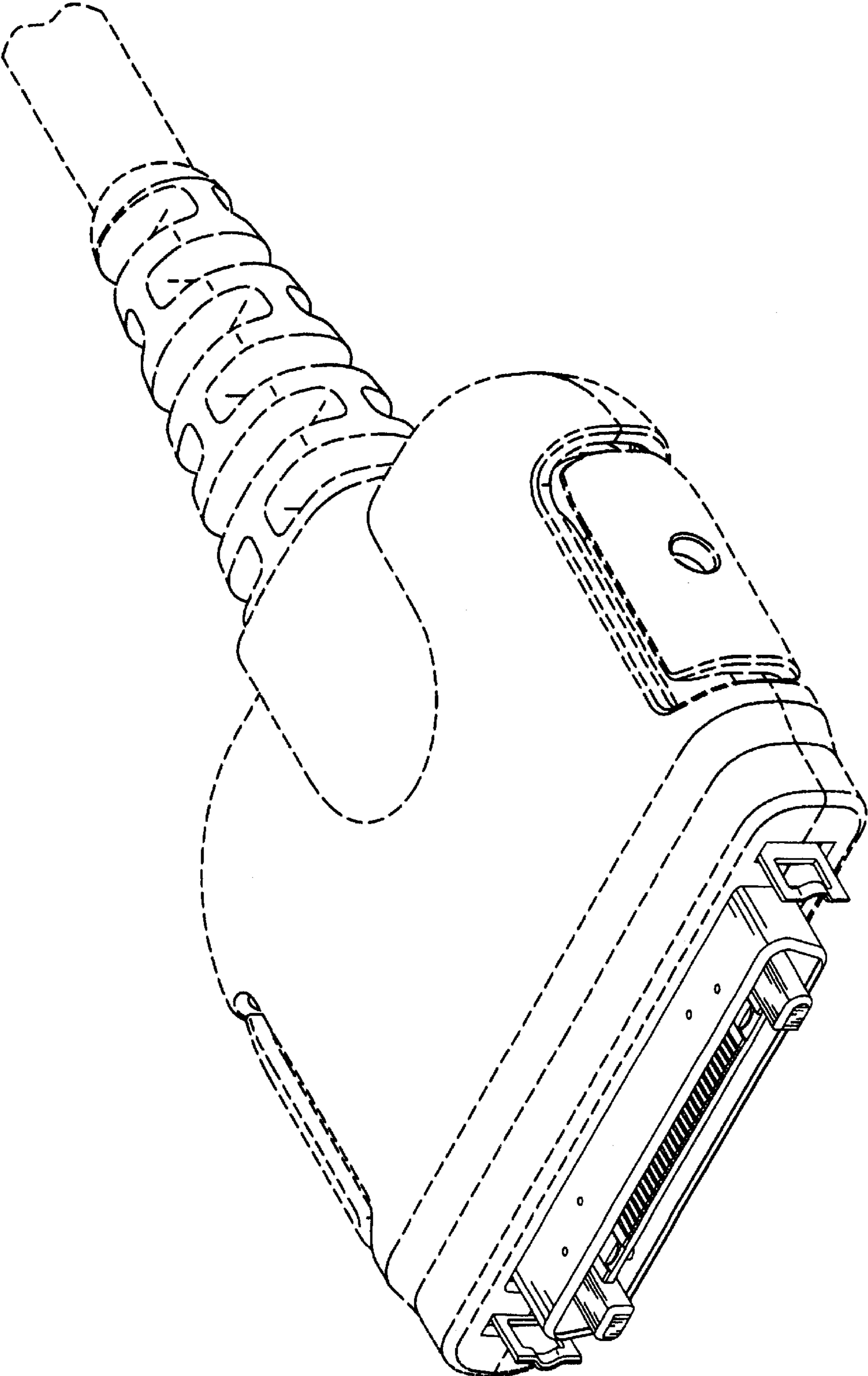


FIG. 1

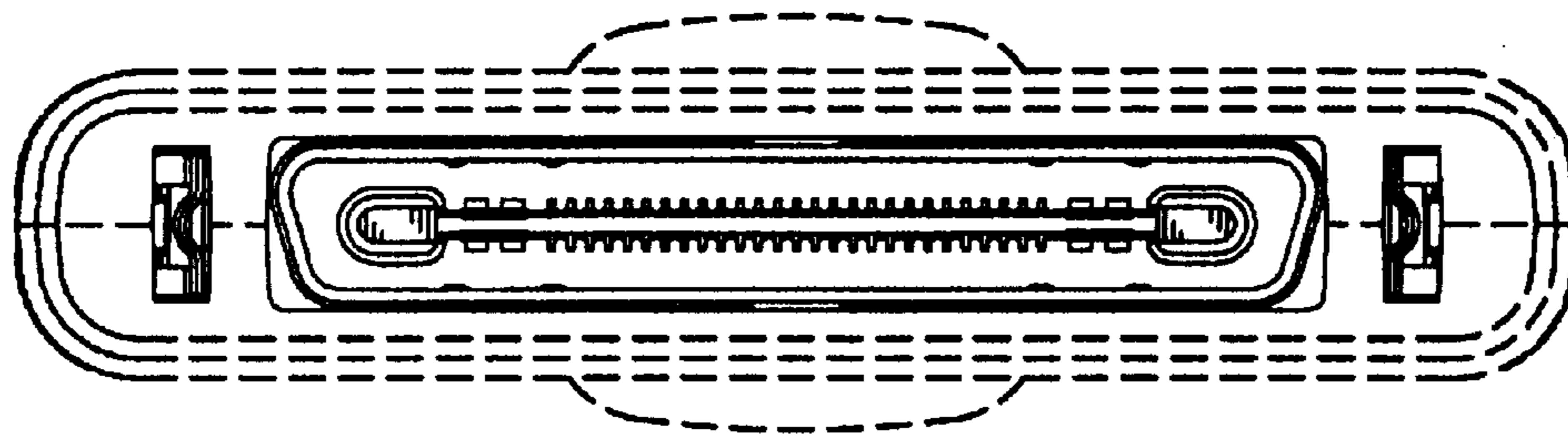


FIG. 2

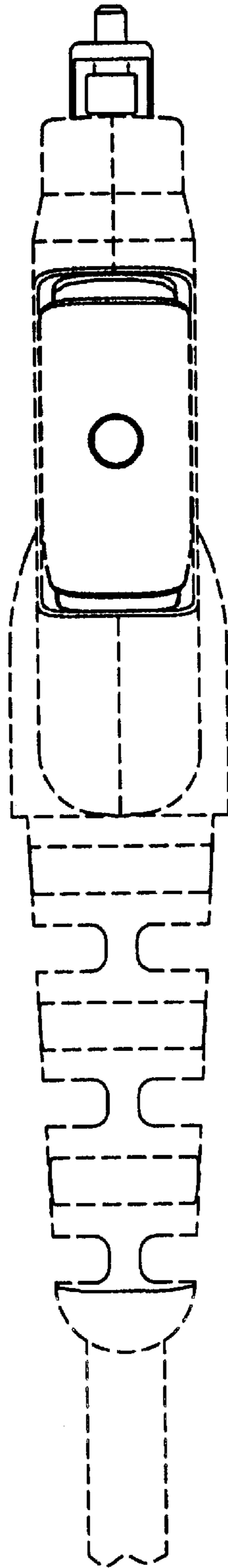


FIG. 3

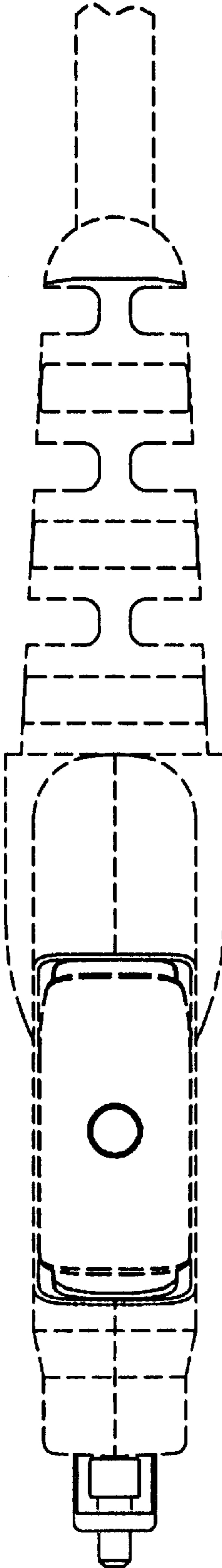


FIG. 4

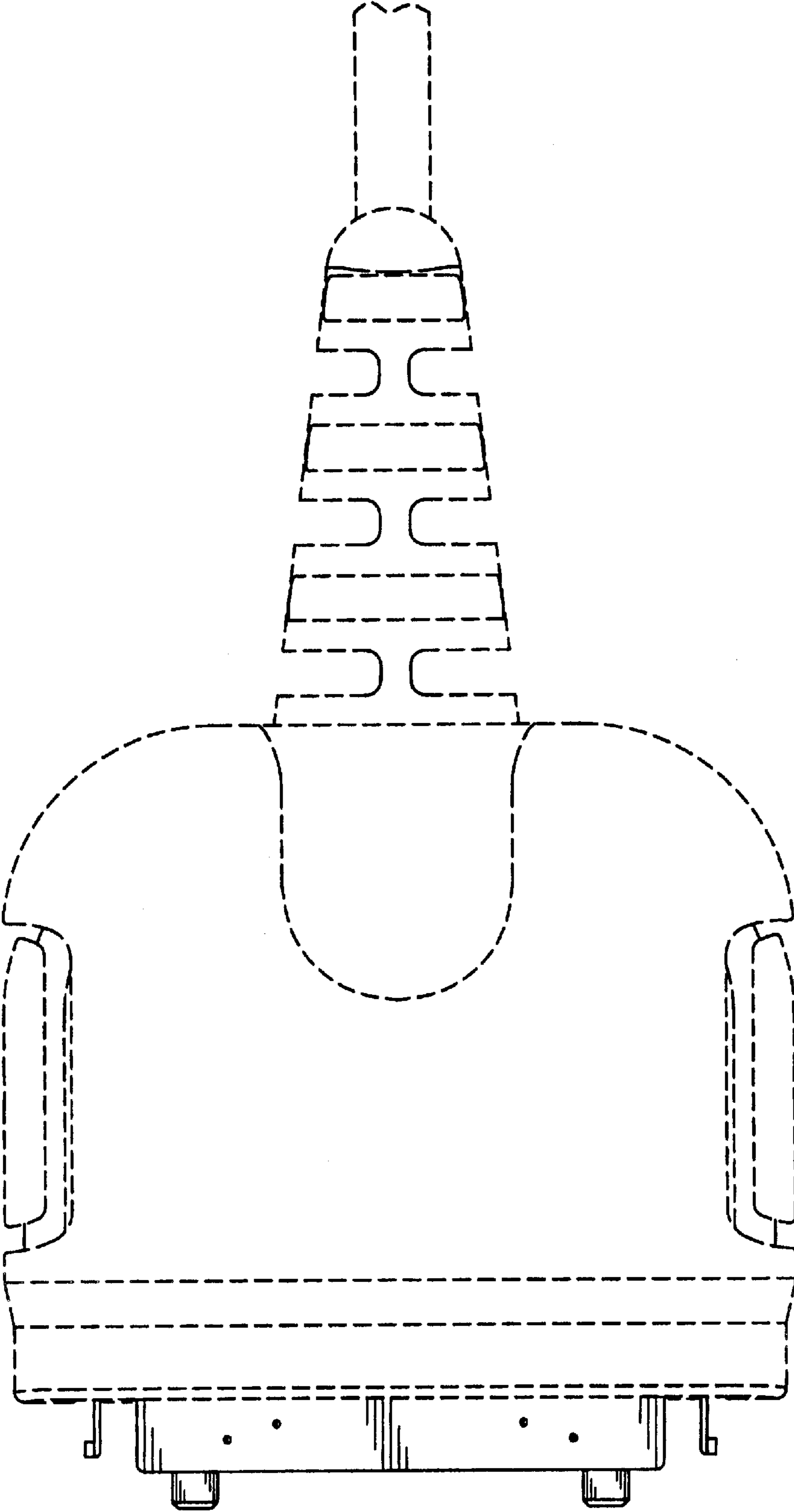


FIG. 5

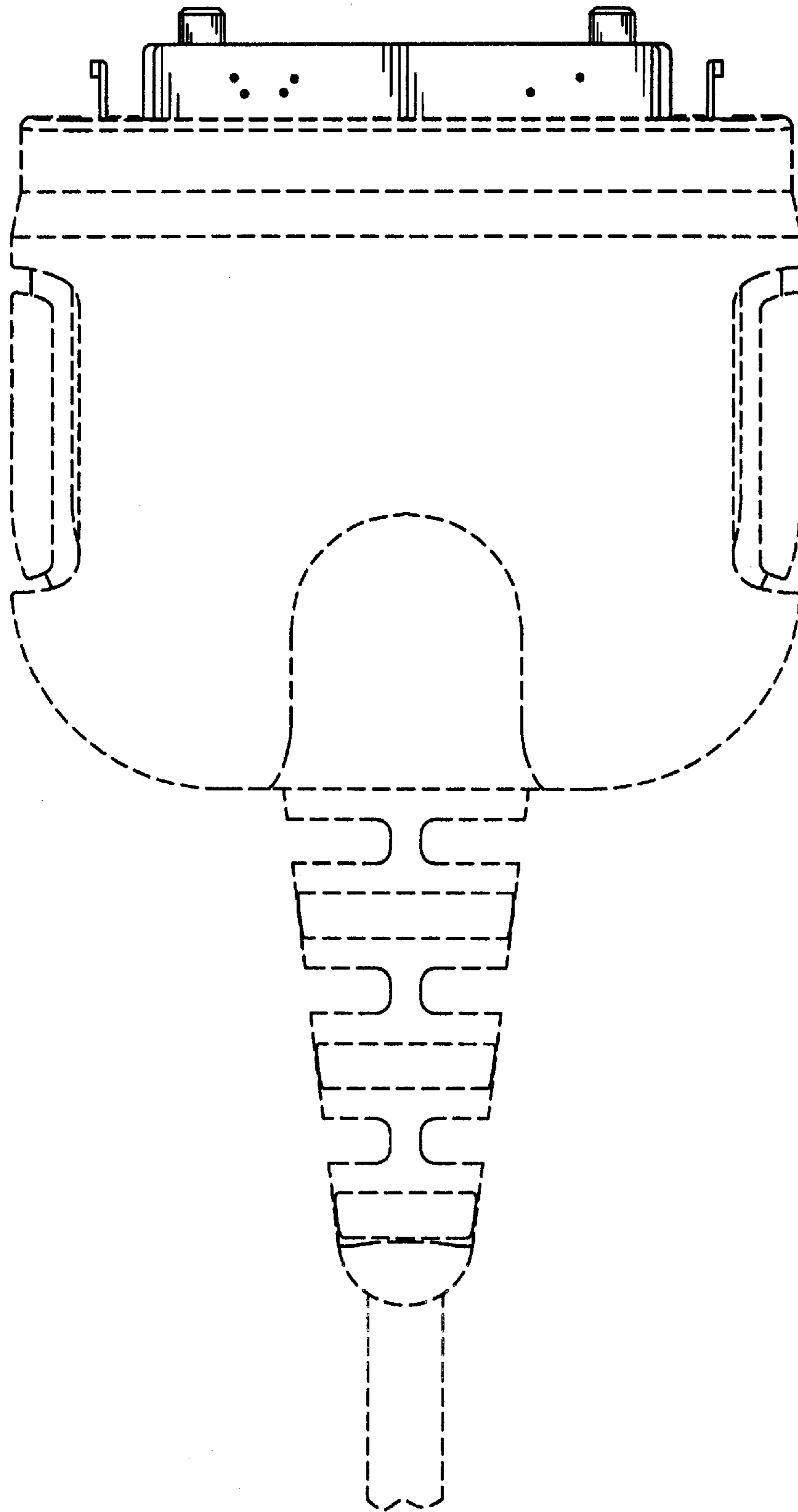


FIG. 6