



US00D512679S

(12) **United States Design Patent**
Fraser et al.

(10) **Patent No.:** **US D512,679 S**
(45) **Date of Patent:** **** Dec. 13, 2005**

(54) **ARTICULATING CUPHOLDER**
(75) Inventors: **Jason Fraser, Waterloo (CA); Gregory Baniak, Toronto (CA); Joe D'Angelo, Cambridge (CA)**

(73) Assignee: **Ultra Manufacturing Limited, Kitchener (CA)**

(**) Term: **14 Years**

(21) Appl. No.: **29/220,889**

(22) Filed: **Jan. 10, 2005**

(51) **LOC (6) Cl.** **12-16**

(52) **U.S. Cl.** **D12/419**

(58) **Field of Search** D12/415, 419-425;
224/42.11, 400, 539-543, 926-928, 536,
548, 275, 282; 296/37.1-37.8, 37.12, 37.16,
37.14, 37.15; 248/311.2; D7/619.1-625,
509, 523

(56) **References Cited**

U.S. PATENT DOCUMENTS

5,297,767 A * 3/1994 Miller et al. 248/311.2
D362,837 S * 10/1995 Mankey et al. D12/419
D368,889 S * 4/1996 Mankey et al. D12/419
D413,563 S * 9/1999 Gravenstreter D12/419
6,203,088 B1 * 3/2001 Fernandez et al. 296/37.8
D456,760 S * 5/2002 Hoy D12/419

D461,161 S * 8/2002 Hoy D12/419
6,695,271 B2 * 2/2004 Bieck et al. 248/311.2
6,722,540 B2 * 4/2004 Ling 224/275
D490,044 S * 5/2004 Smith D12/419
6,779,769 B1 * 8/2004 York et al. 248/311.2
D500,982 S * 1/2005 Smith D12/419
6,854,779 B2 * 2/2005 Gehring et al. 296/37.12

* cited by examiner

Primary Examiner—Stacia Cadmus

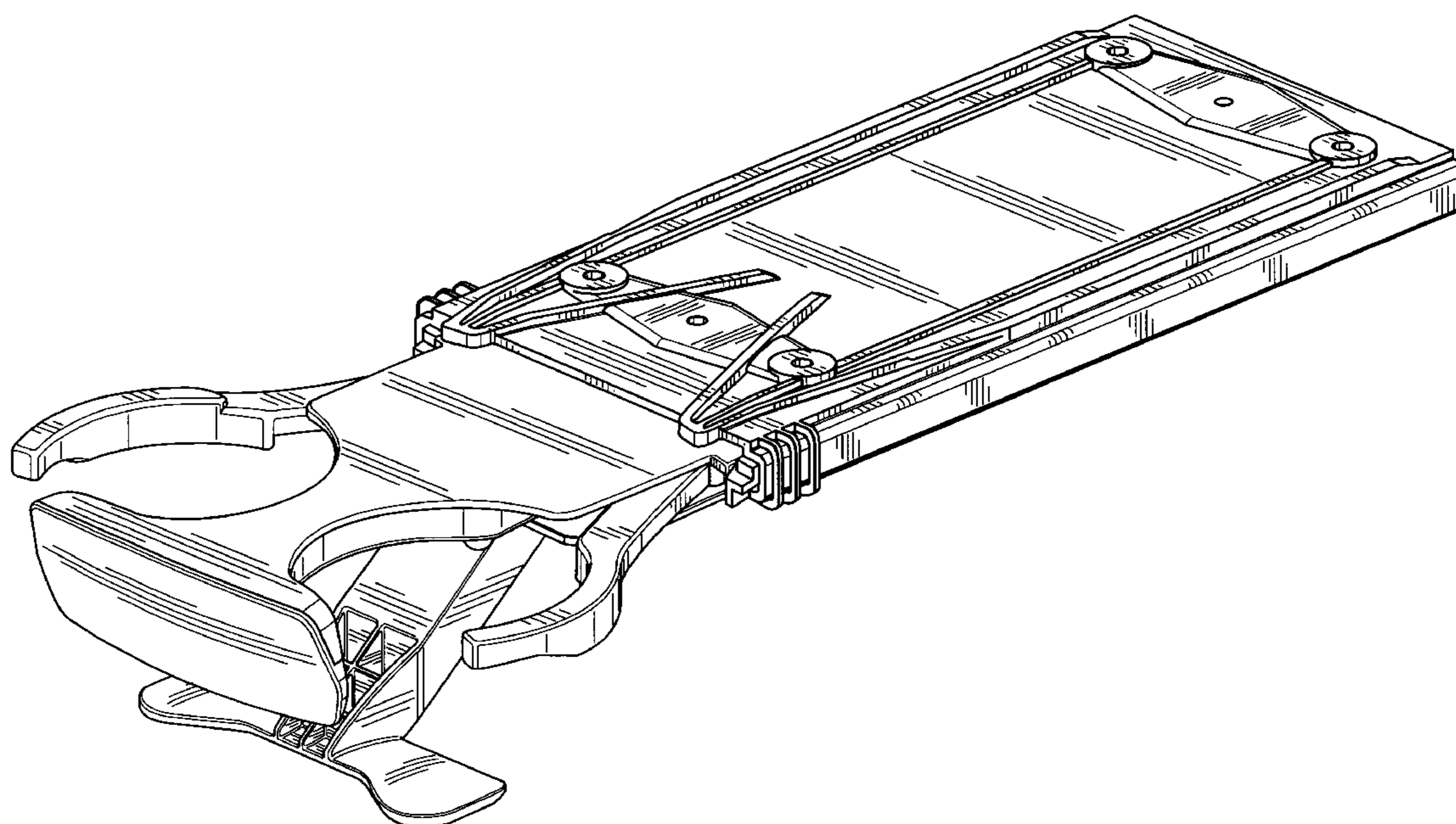
(57) **CLAIM**

The ornamental design for an articulating cupholder, as shown and described.

DESCRIPTION

FIG. 1 is a perspective view of a left side, a front side, and a top side of the articulating cupholder showing the cupholder assembly in the open position;
FIG. 2 is a perspective view of a left side, a rear side, and a bottom side thereof;
FIG. 3 is a view of the left side thereof;
FIG. 4 is a view of the front side thereof;
FIG. 5 is a view of the rear side thereof;
FIG. 6 is a top view thereof;
FIG. 7 is a bottom view thereof; and,
FIG. 8 is a perspective view of the subject invention with the cupholder assembly in the closed position.
The right side is the mirror image of the left side.

1 Claim, 7 Drawing Sheets



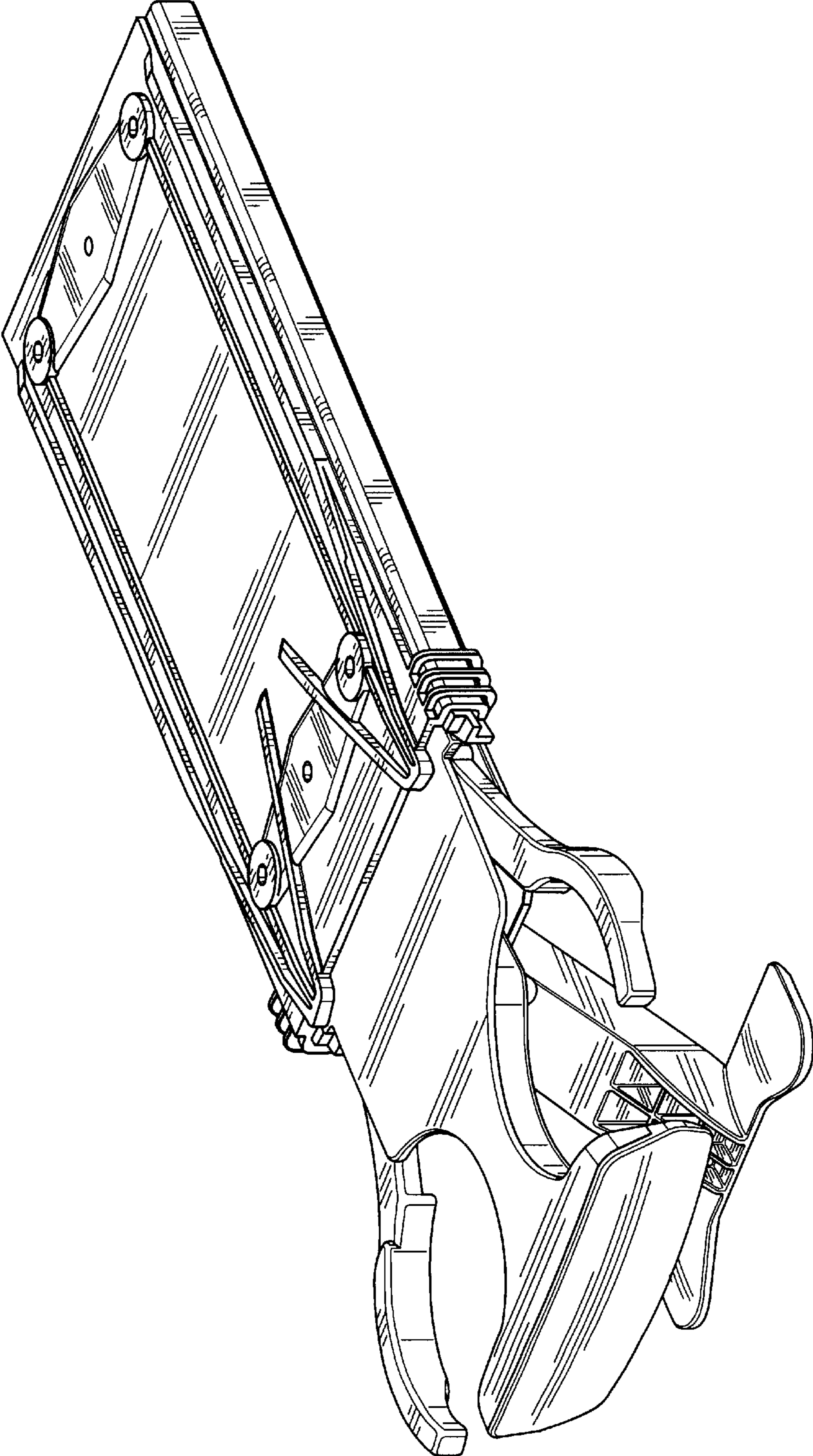


FIG. 1

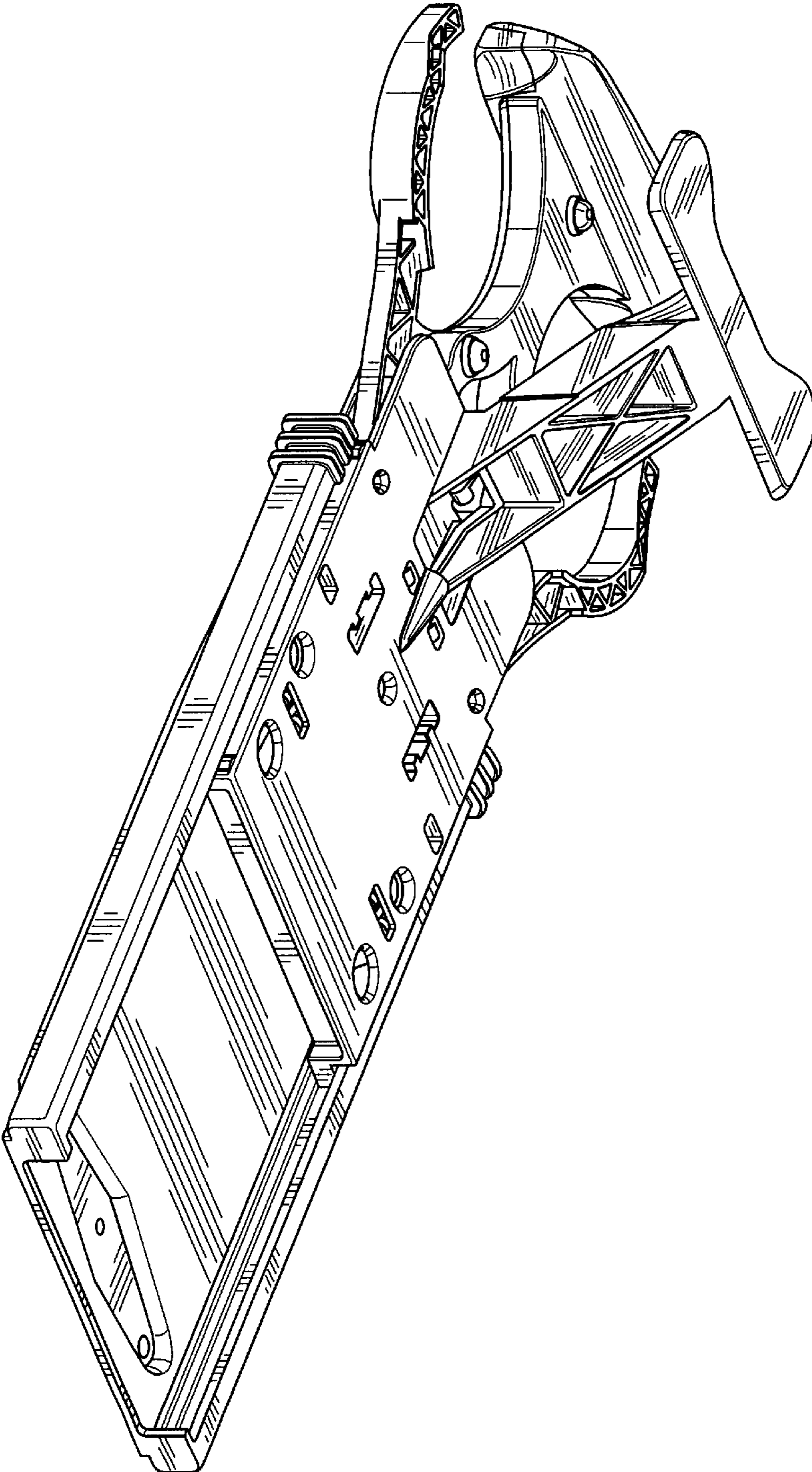


FIG. 2

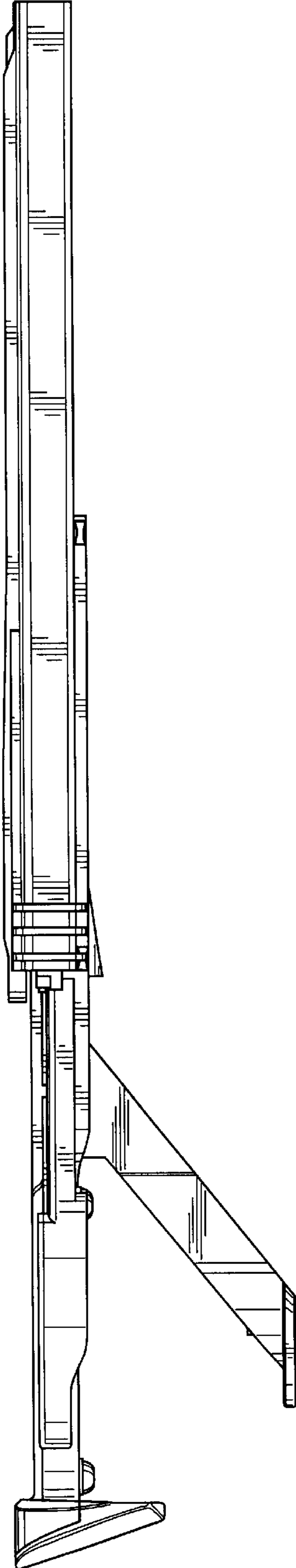


FIG. 3

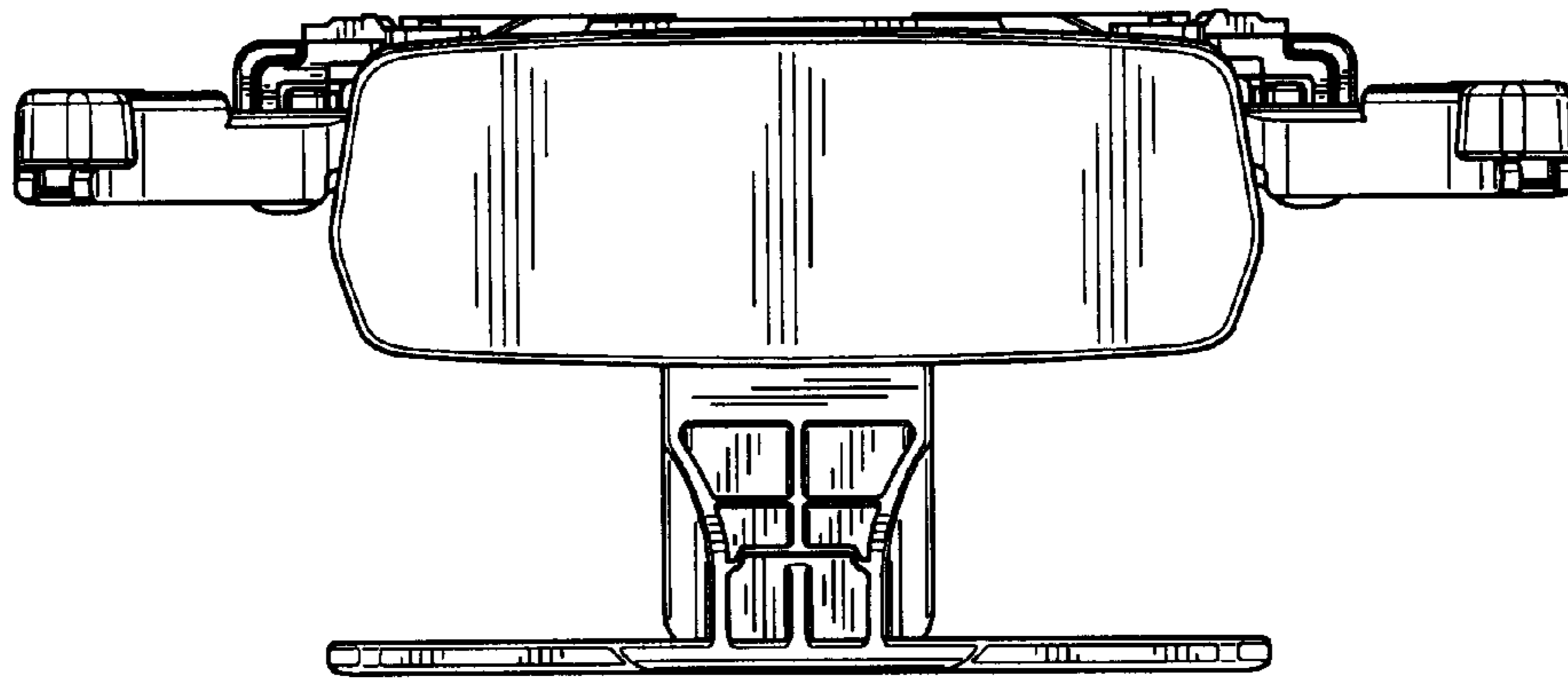


FIG. 4

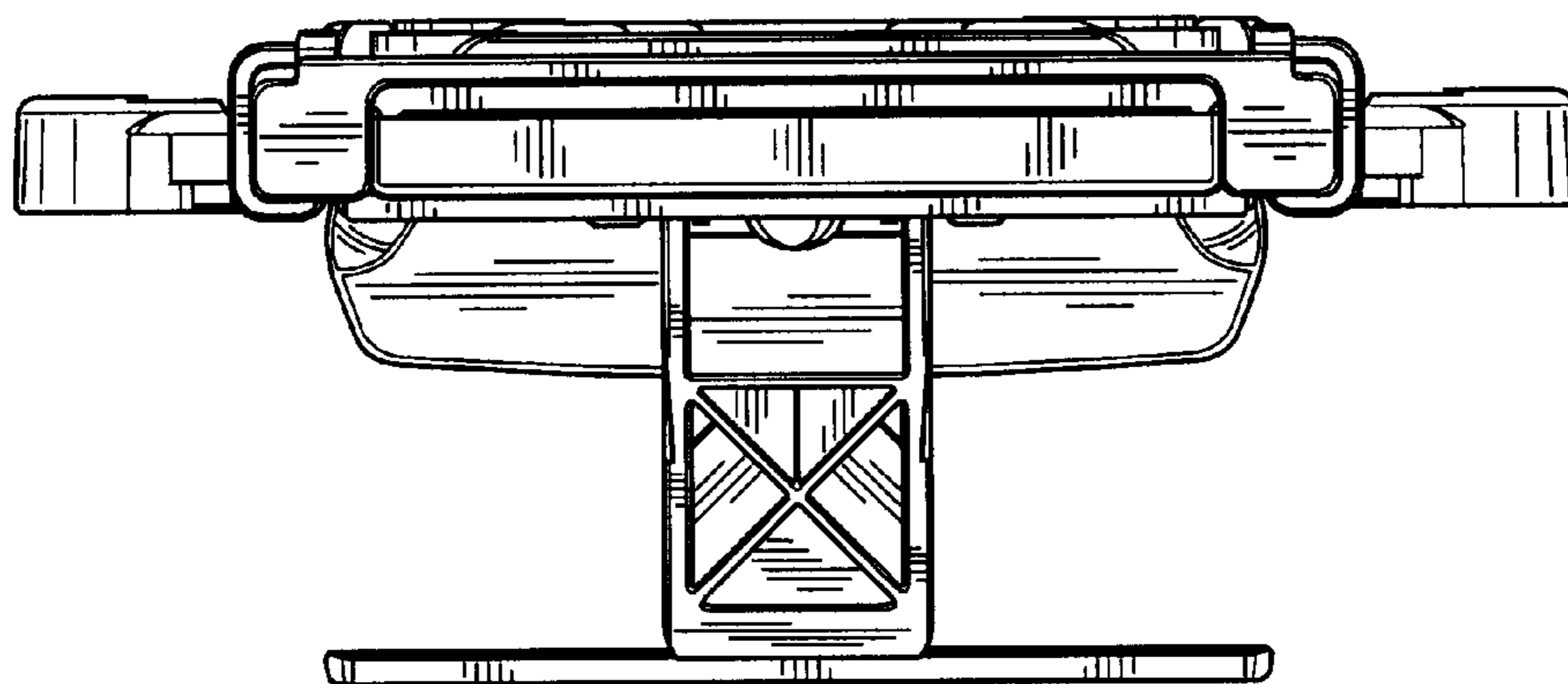


FIG. 5

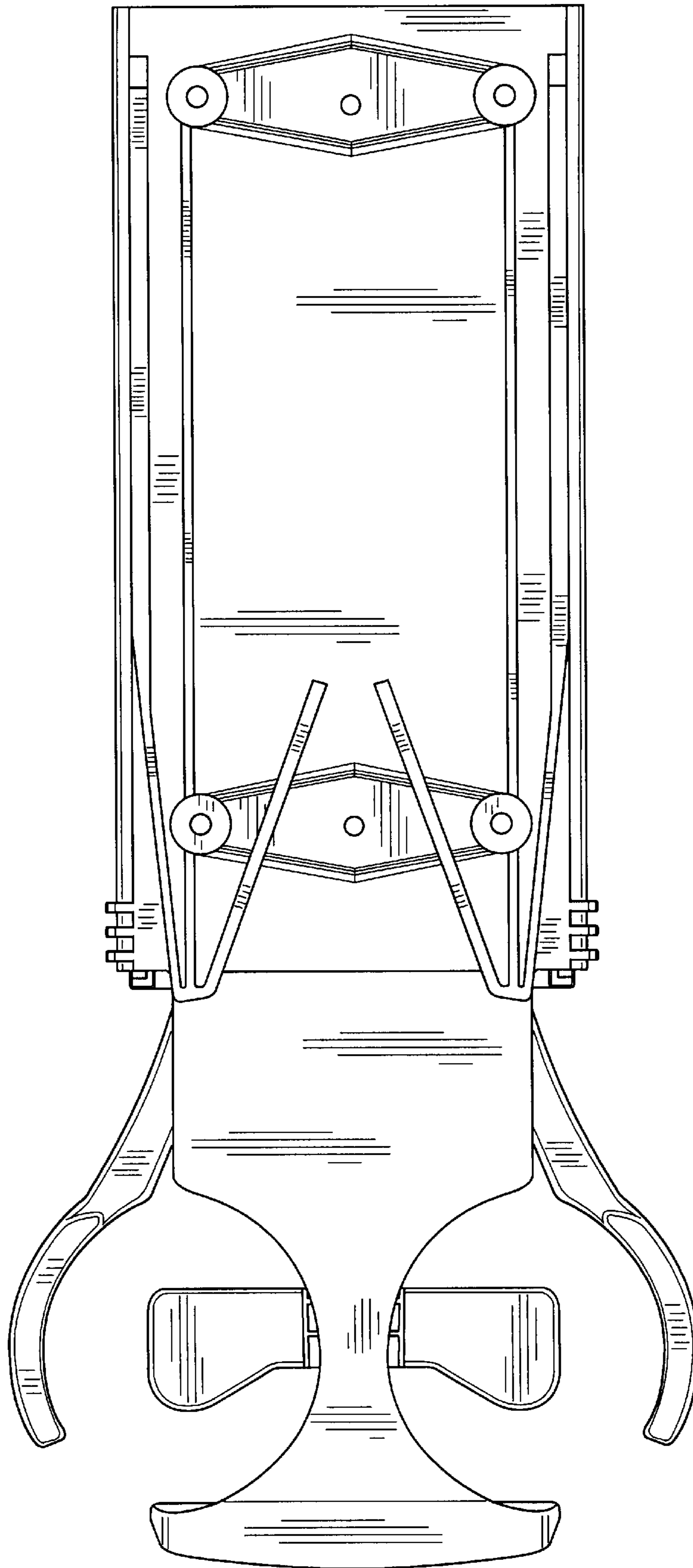


FIG. 6

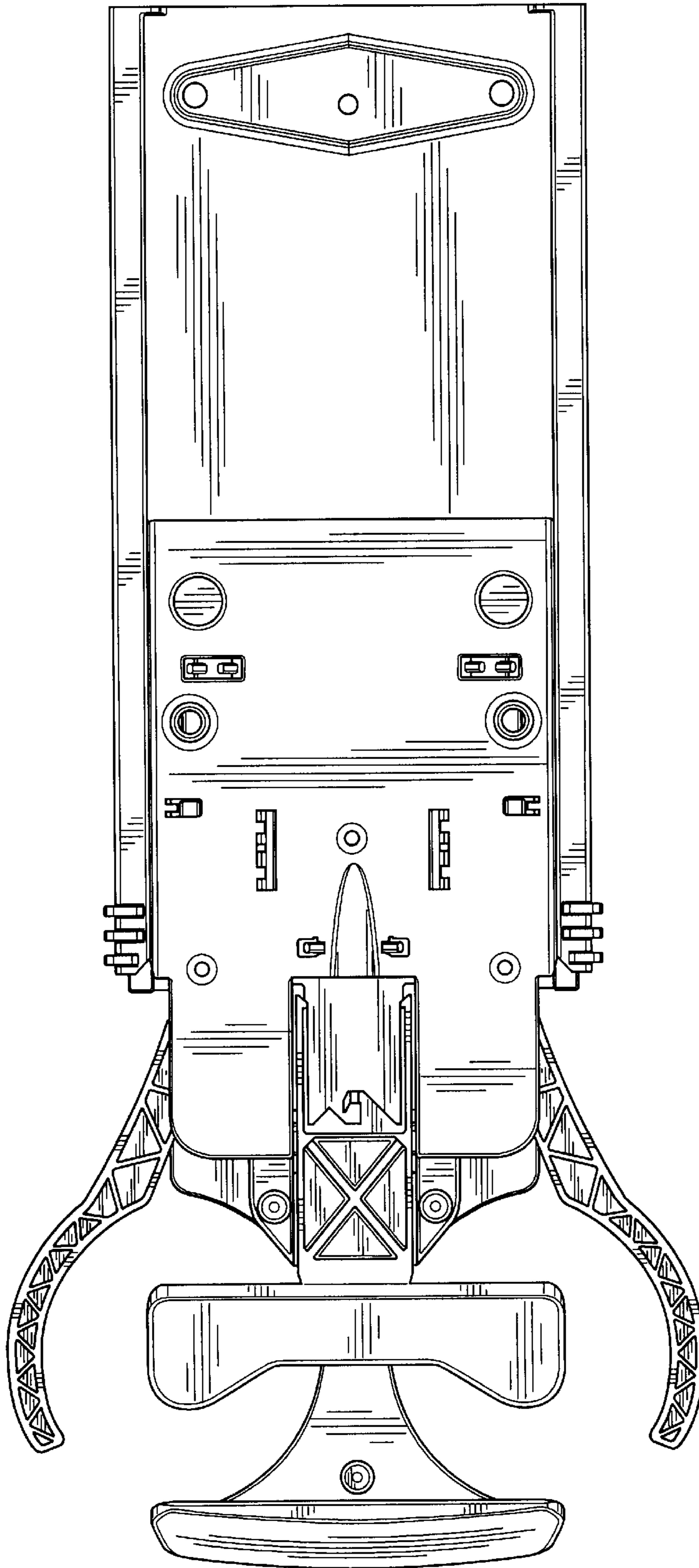


FIG. 7

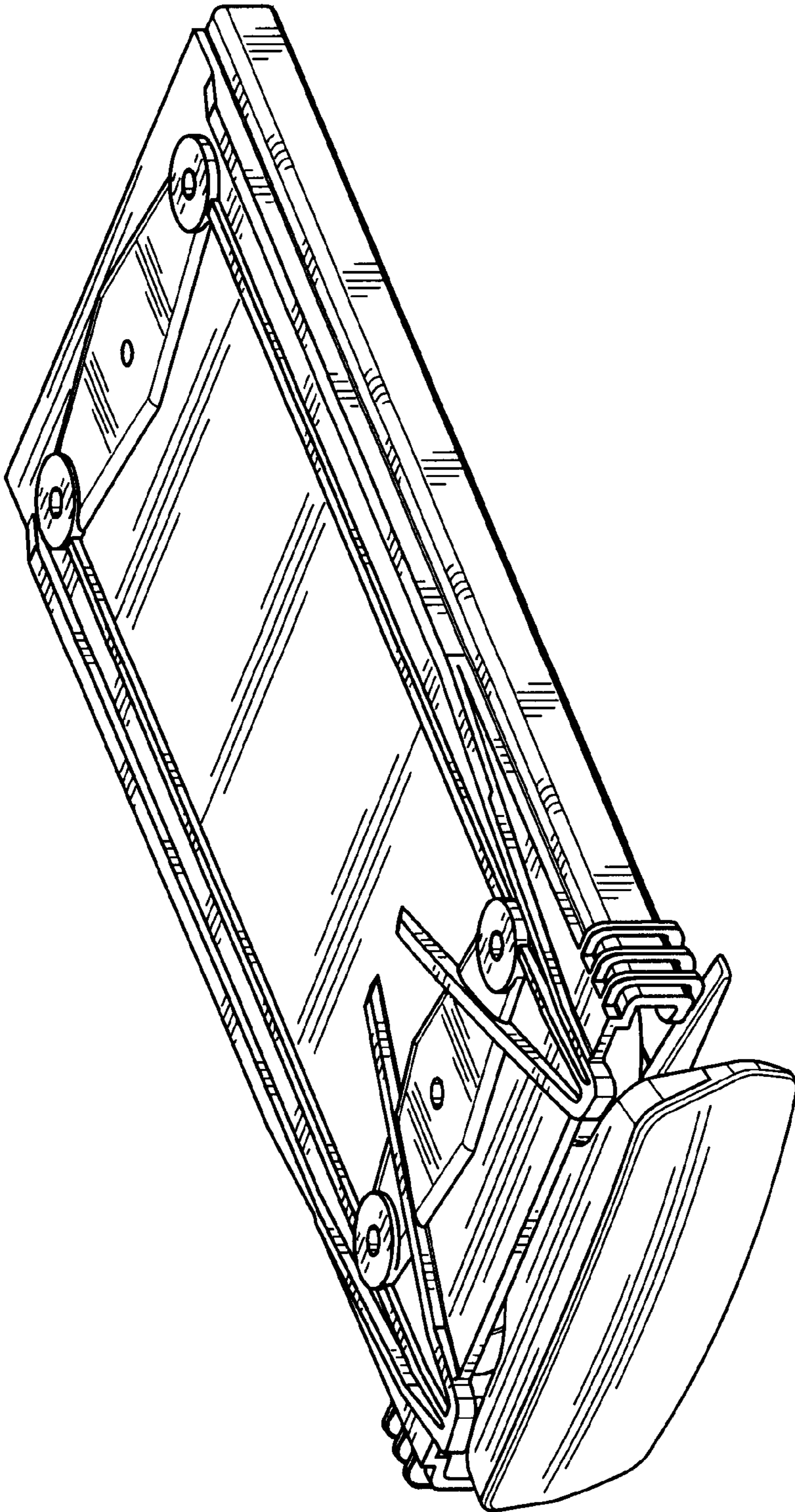


FIG. 8