



US00D512675S

(12) **United States Design Patent**  
**Nagashima**

(10) **Patent No.:** **US D512,675 S**  
(45) **Date of Patent:** **\*\* Dec. 13, 2005**

(54) **FRONT FACE OF A VEHICLE WHEEL**

(75) **Inventor:** **Joji Nagashima, Munich (DE)**

(73) **Assignee:** **Bayerische Motoren Werke  
Aktiengesellschaft, Munich (DE)**

(\*\*) **Term:** **14 Years**

(21) **Appl. No.:** **29/211,177**

(22) **Filed:** **Aug. 12, 2004**

(30) **Foreign Application Priority Data**

Feb. 13, 2004 (DE) ..... 40400998

(51) **LOC (6) Cl.** ..... **12-16**

(52) **U.S. Cl.** ..... **D12/209**

(58) **Field of Search** ..... D12/204-213;  
301/37.101, 64.101, 65

(56) **References Cited**

**U.S. PATENT DOCUMENTS**

- D409,968 S \* 5/1999 Goplen ..... D12/211
- D447,106 S \* 8/2001 Chung ..... D12/209
- D471,144 S \* 3/2003 Pfeiffer ..... D12/209
- D476,284 S \* 6/2003 Pfeiffer et al. .... D12/211

- D479,177 S \* 9/2003 Nordmann ..... D12/211
- D494,523 S \* 8/2004 Koenigsberg ..... D12/209
- D502,137 S \* 2/2005 Blum ..... D12/211
- D504,099 S \* 4/2005 Boyer ..... D12/211
- D504,651 S \* 5/2005 Johnson ..... D12/211

**FOREIGN PATENT DOCUMENTS**

EP 000010442-0008 7/2003 ..... 12/16

\* cited by examiner

*Primary Examiner*—Stacia Cadmus

(74) *Attorney, Agent, or Firm*—Crowell & Moring LLP

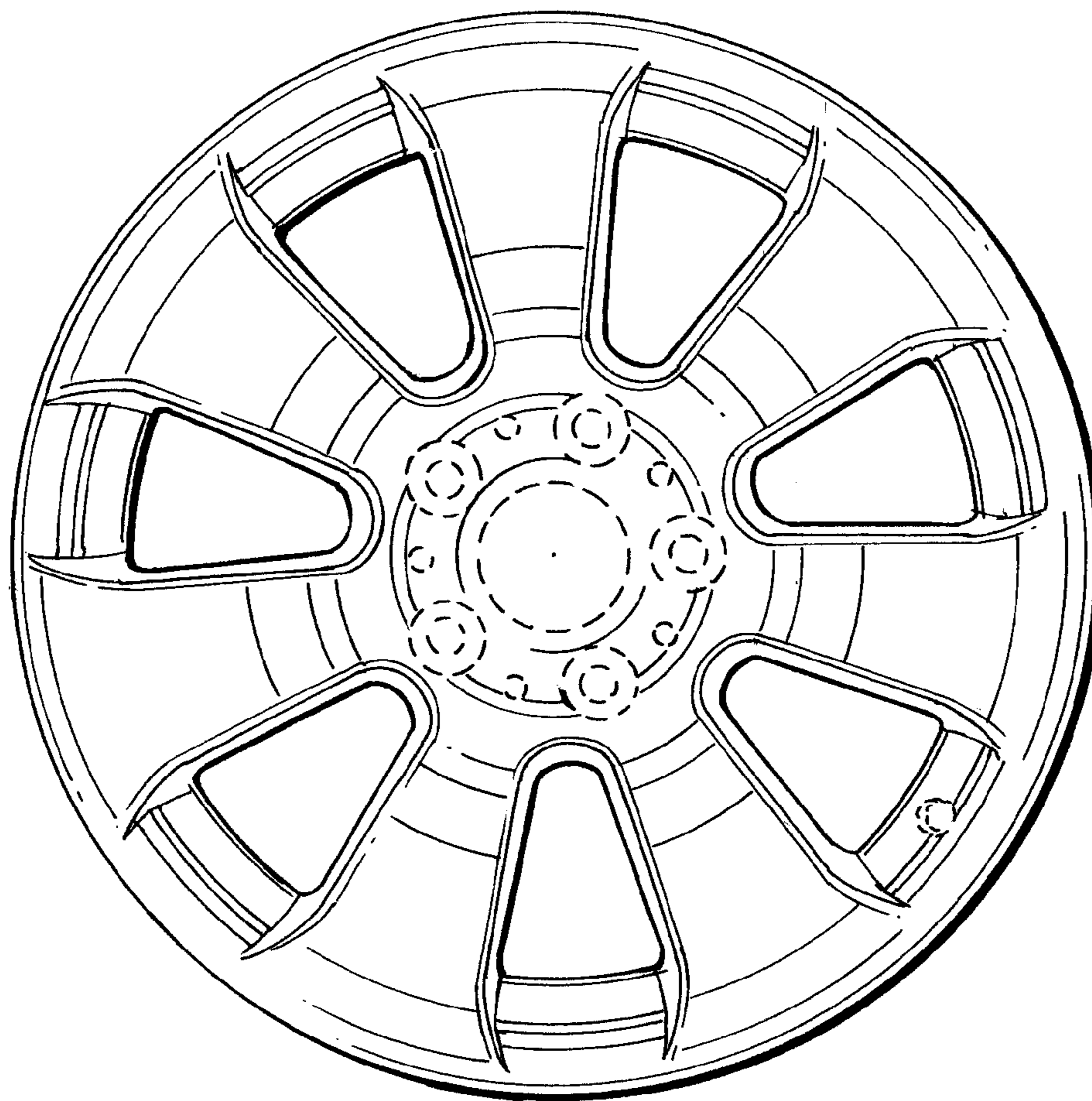
(57) **CLAIM**

The ornamental design for a front face of a vehicle wheel, as shown and described.

**DESCRIPTION**

FIG. 1 is a front view of a front face of a vehicle wheel according to my novel design; and, FIG. 2 is a perspective view of the front face of a vehicle wheel according to my novel design. The broken lines are for illustrative purposes only and form no part of the claimed design.

**1 Claim, 1 Drawing Sheet**



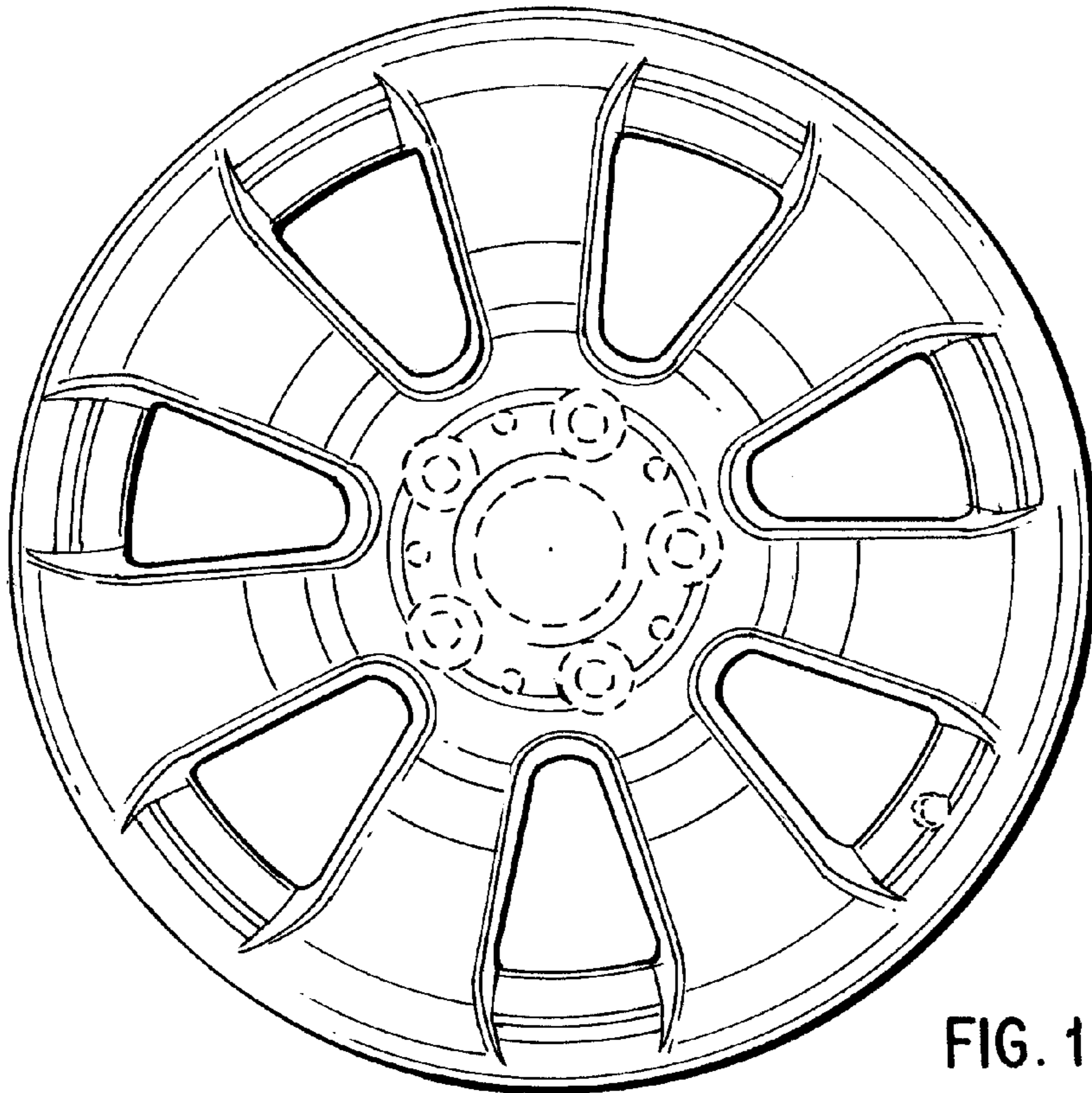


FIG. 1

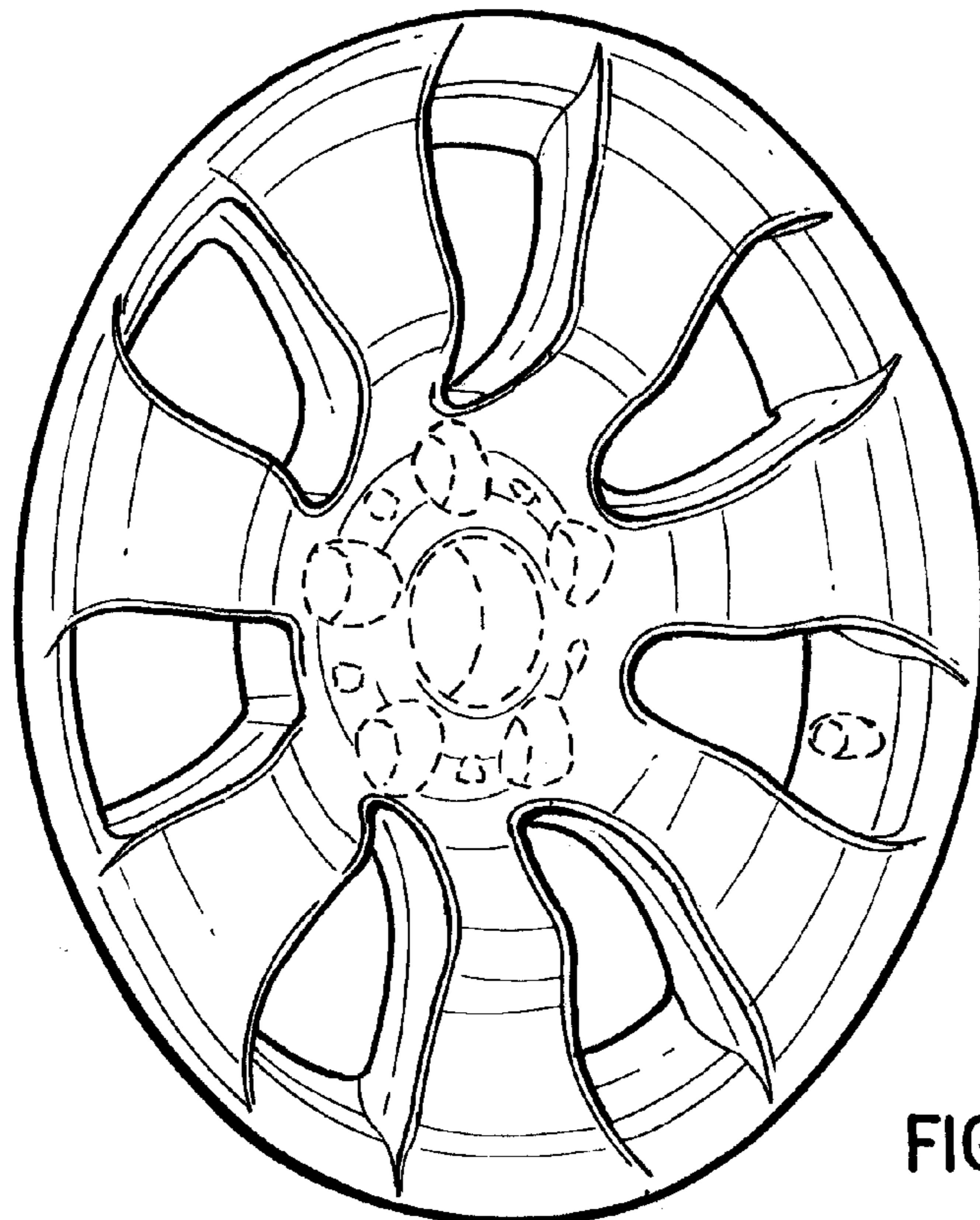


FIG. 2