



US00D512667S

(12) **United States Design Patent**
Iwasaki

(10) **Patent No.:** **US D512,667 S**

(45) **Date of Patent:** **** Dec. 13, 2005**

(54) **CALIPER BODY OF DISK BRAKE FOR VEHICLE**

(75) Inventor: **Masaru Iwasaki, Ueda (JP)**

(73) Assignee: **Nissin Kogyo Co., Ltd., Nagano-ken (JP)**

(**) Term: **14 Years**

(21) Appl. No.: **29/213,159**

(22) Filed: **Sep. 15, 2004**

(30) **Foreign Application Priority Data**

Mar. 17, 2004 (JP) 2004-008071

(51) **LOC (6) Cl.** **12-16**

(52) **U.S. Cl.** **D12/180**

(58) **Field of Search** D12/180; 188/73.3, 188/73.31-73.39, 73.43, 73.45, 218 XL, 250 B, 250 E, 250 G

(56) **References Cited**

U.S. PATENT DOCUMENTS

- D255,675 S * 7/1980 Weiser et al. D12/180
- D260,015 S * 7/1981 Sheill D12/180
- D270,824 S * 10/1983 Robinette D12/180
- D378,363 S * 3/1997 Sin D12/180
- D417,178 S * 11/1999 Gallagher D12/180
- D417,642 S * 12/1999 Ashley, Sr. D12/180

- D426,180 S * 6/2000 Pink et al. D12/180
- D458,199 S * 6/2002 Demoise et al. D12/180
- D462,040 S * 8/2002 Ueno et al. D12/180
- 6,481,544 B2 * 11/2002 Brecht et al. 188/250 E
- D491,500 S * 6/2004 Fujiwara et al. D12/180

* cited by examiner

Primary Examiner—Melody N. Brown

(74) *Attorney, Agent, or Firm*—Sughrue Mion, PLLC

(57) **CLAIM**

The ornamental design for a caliper body of disk brake for vehicle, as shown and described.

DESCRIPTION

FIG. 1 is a perspective view of the top, front and left side of a caliper body of a disk brake for vehicle showing my new design;

FIG. 2 is a front elevational view thereof;

FIG. 3 is a rear elevational view thereof;

FIG. 4 is a right side elevational view thereof;

FIG. 5 is a left side elevational view thereof;

FIG. 6 is a top plan view thereof;

FIG. 7 is a bottom plan view thereof;

FIG. 8 is a left side cross sectional view taken along the line 8—8 as shown in FIG. 2 thereof; and,

FIG. 9 is a rear cross sectional view taken along the line 9—9 as shown in FIG. 4 thereof.

1 Claim, 5 Drawing Sheets

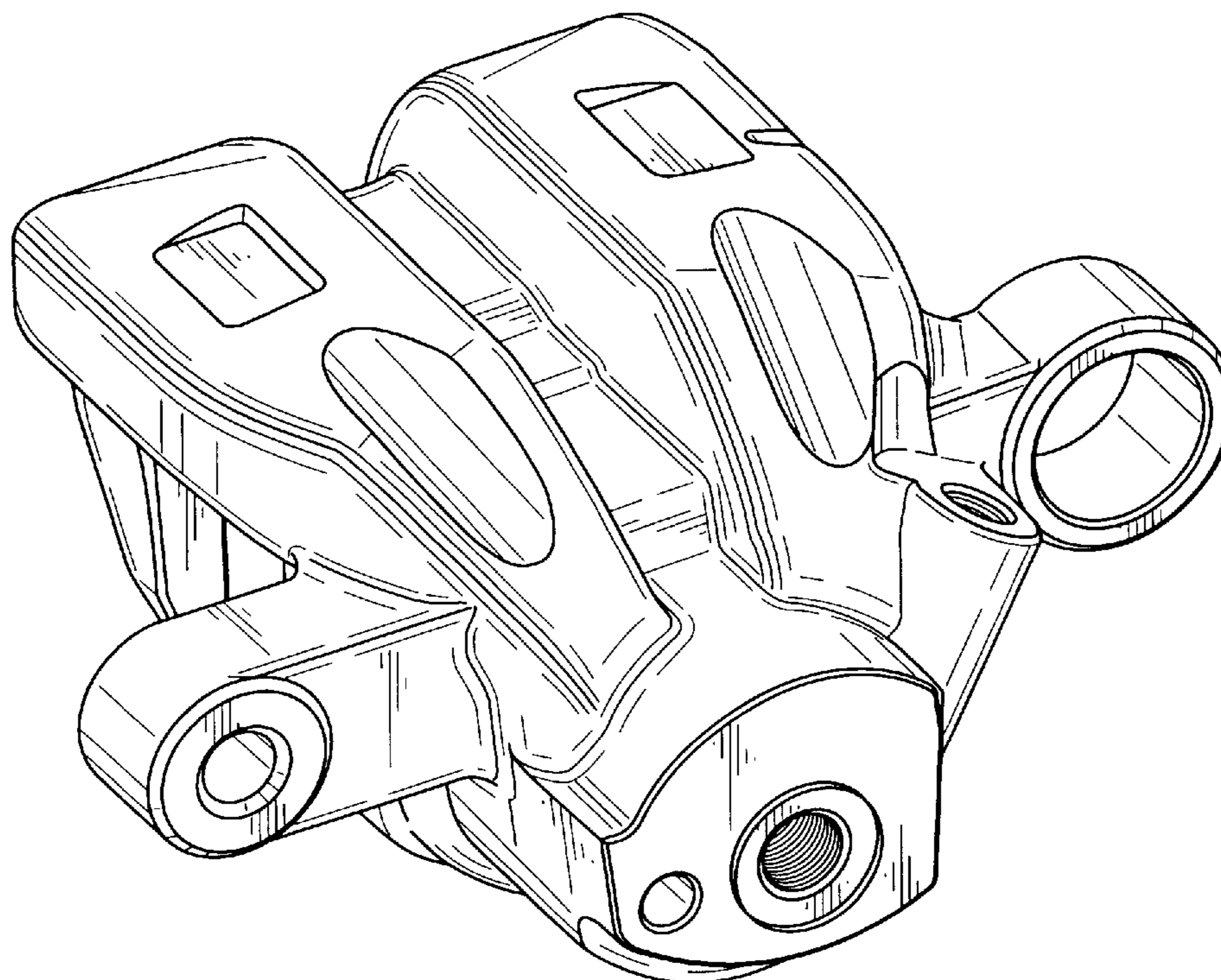


FIG. 1

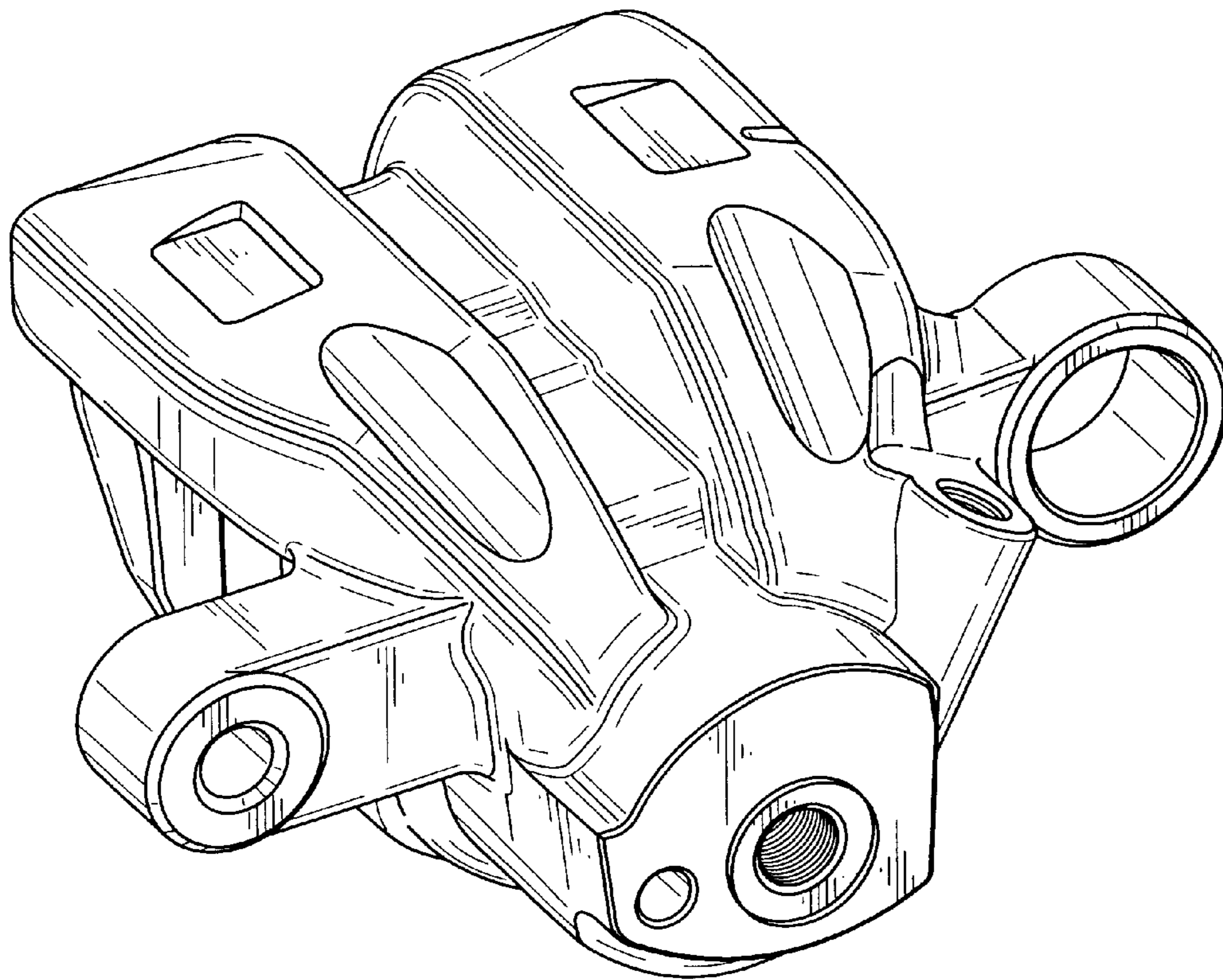


FIG. 2

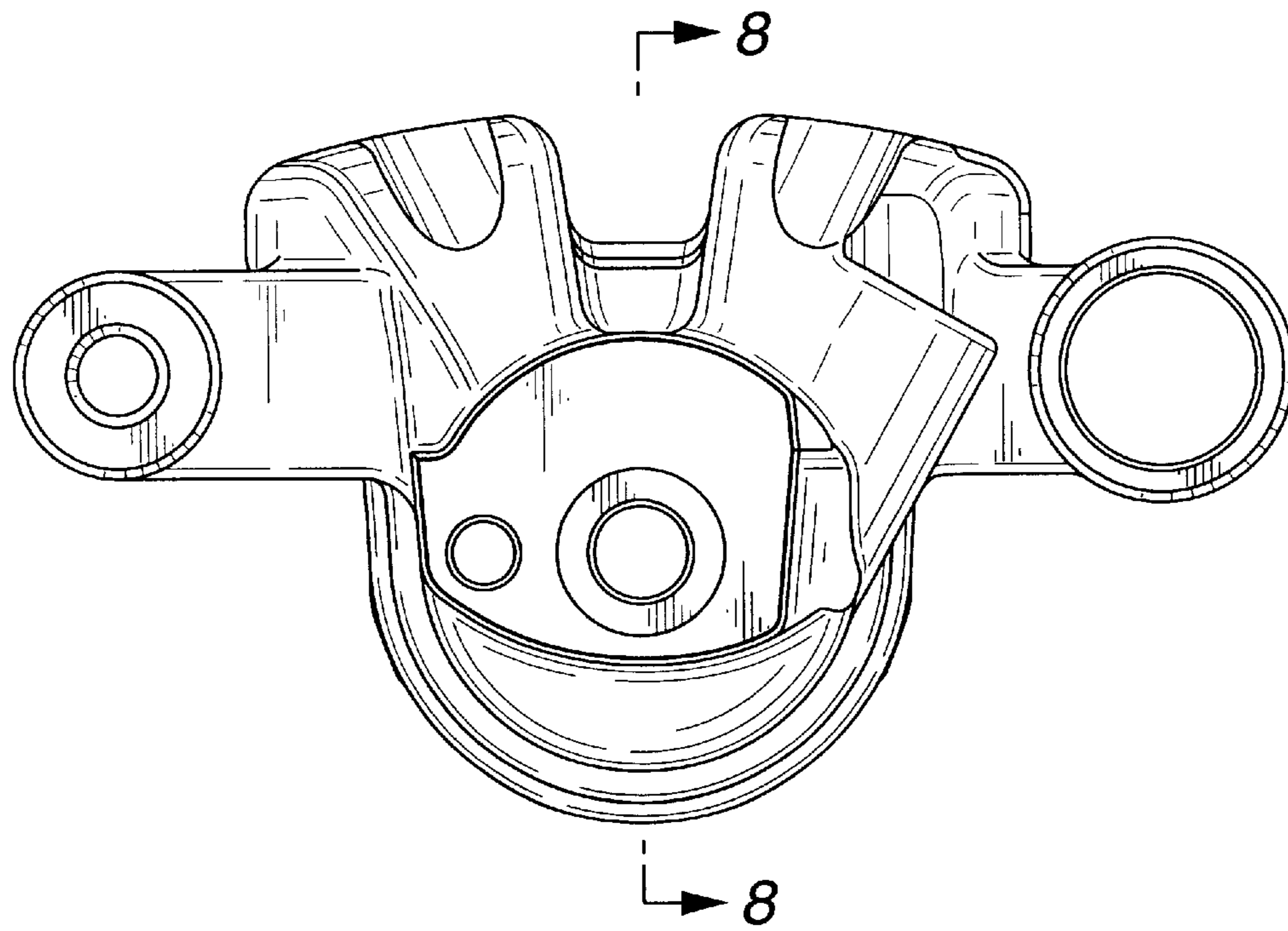


FIG. 3

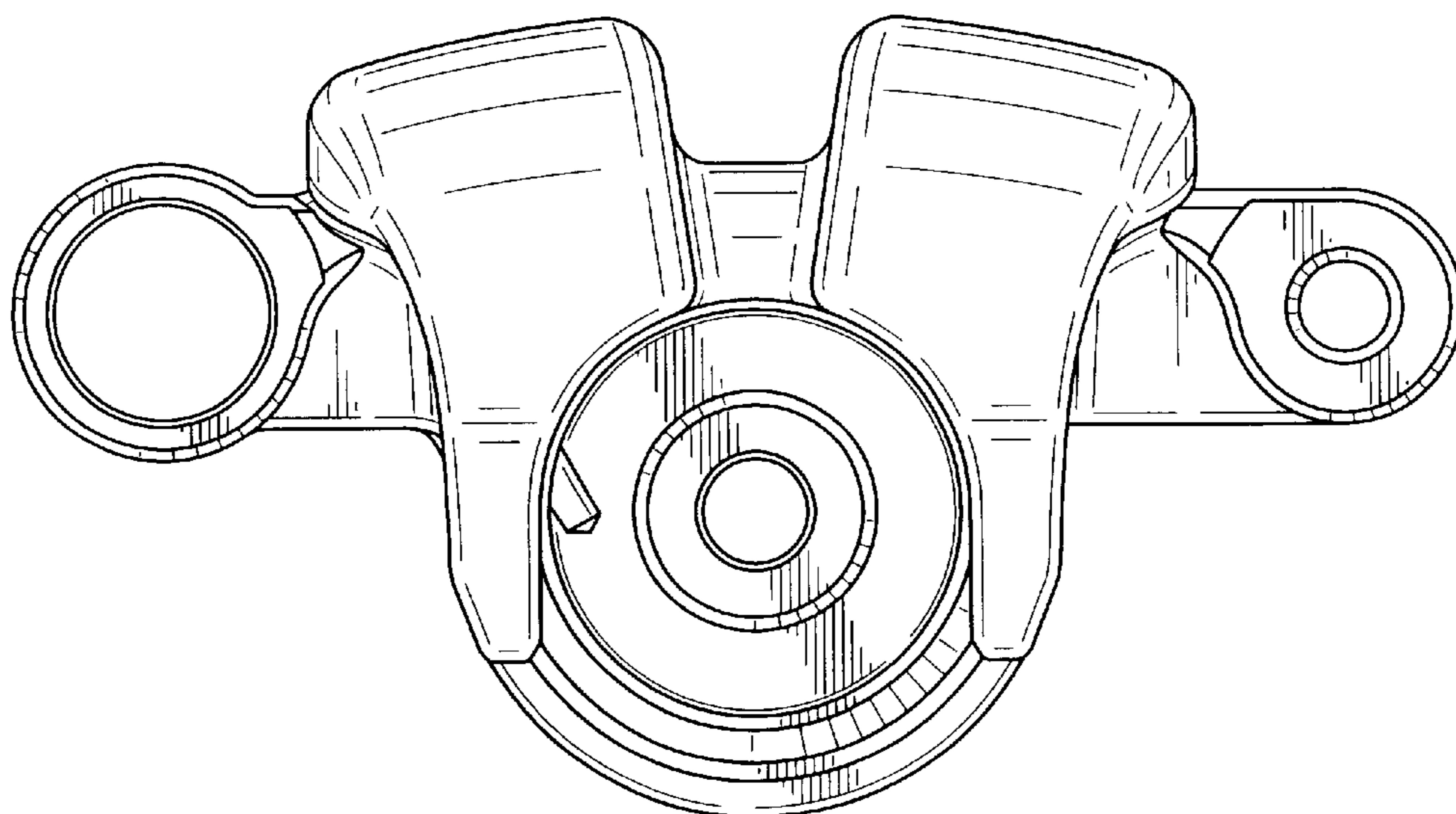


FIG. 4

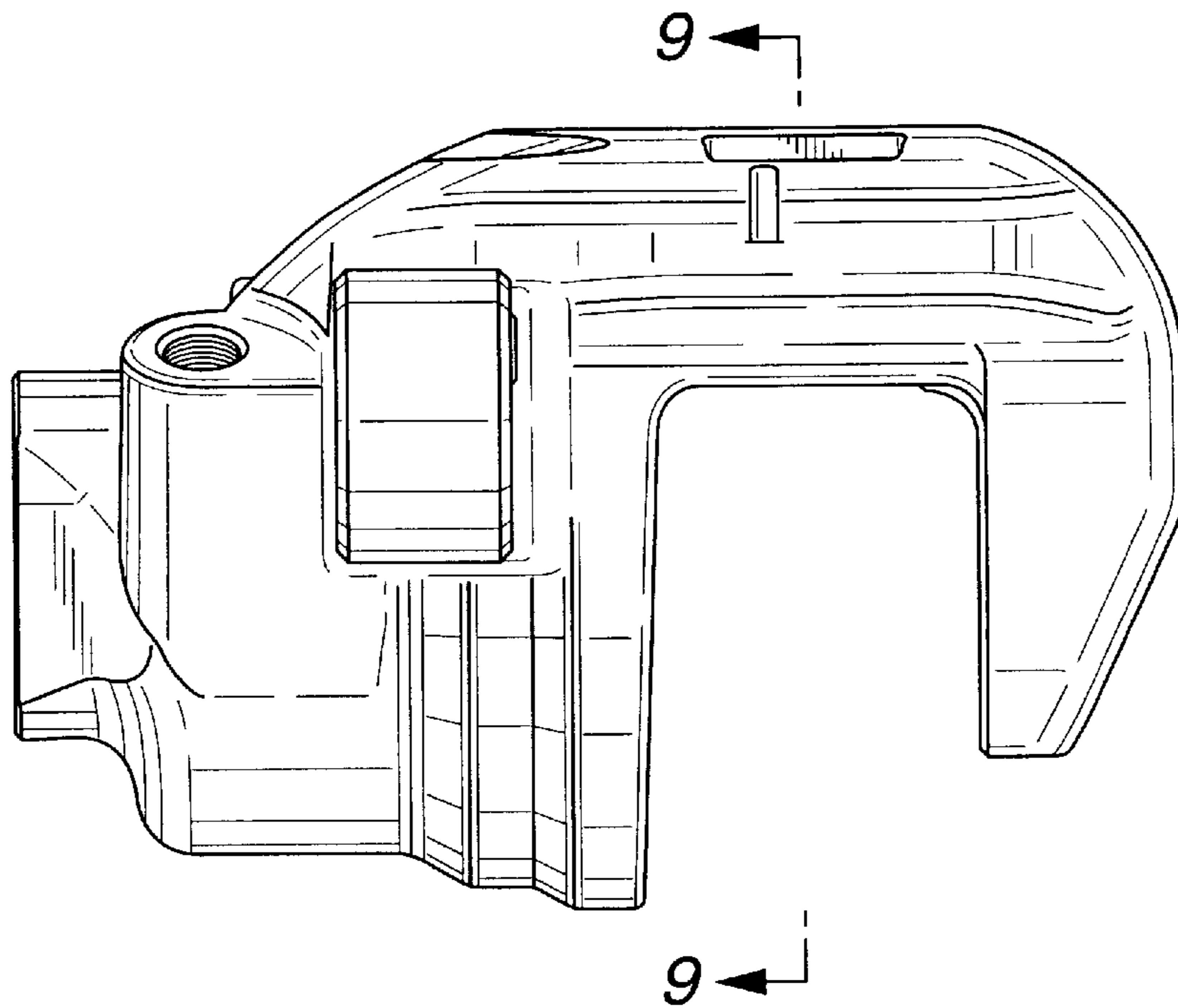


FIG. 5

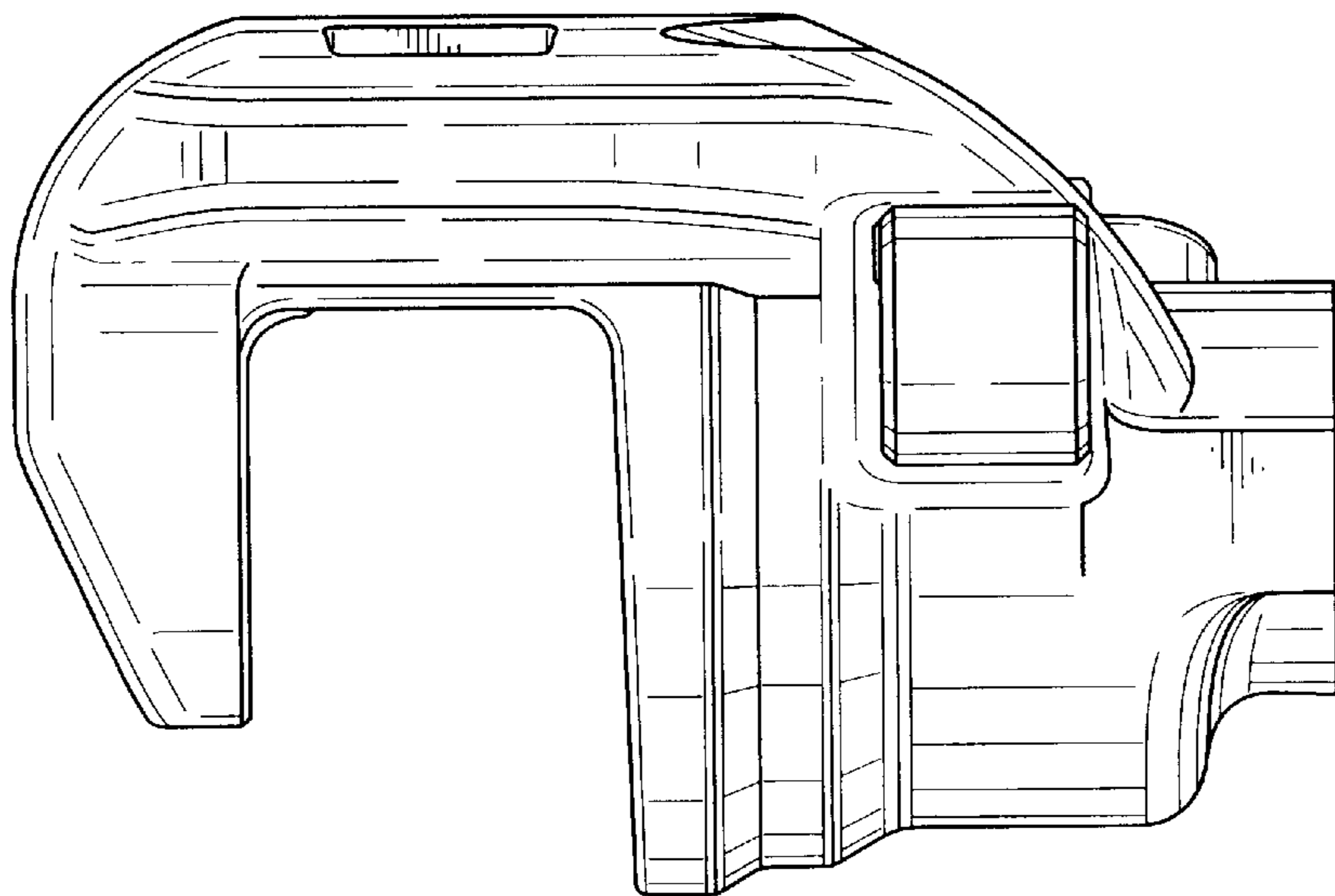


FIG. 6

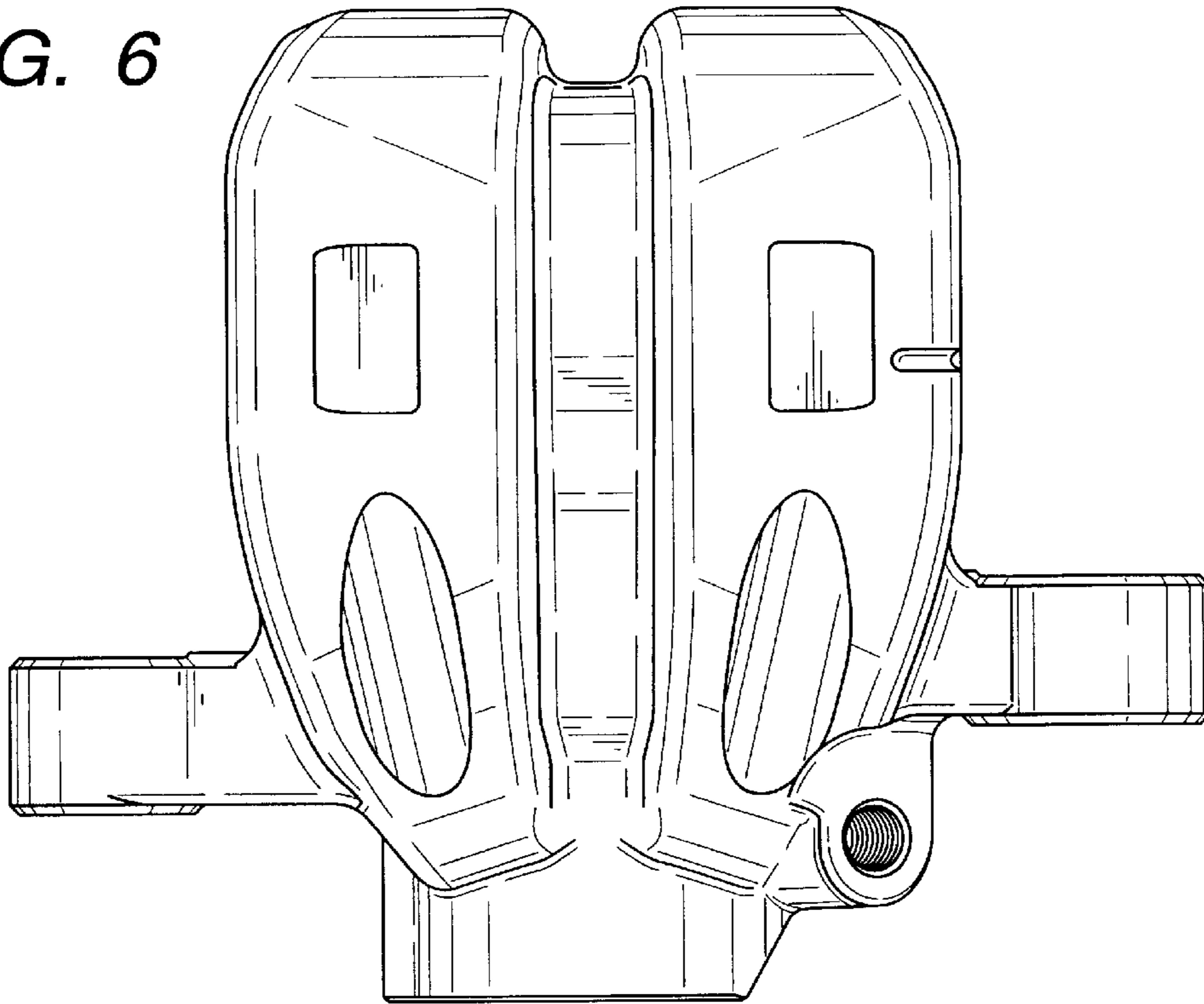


FIG. 7

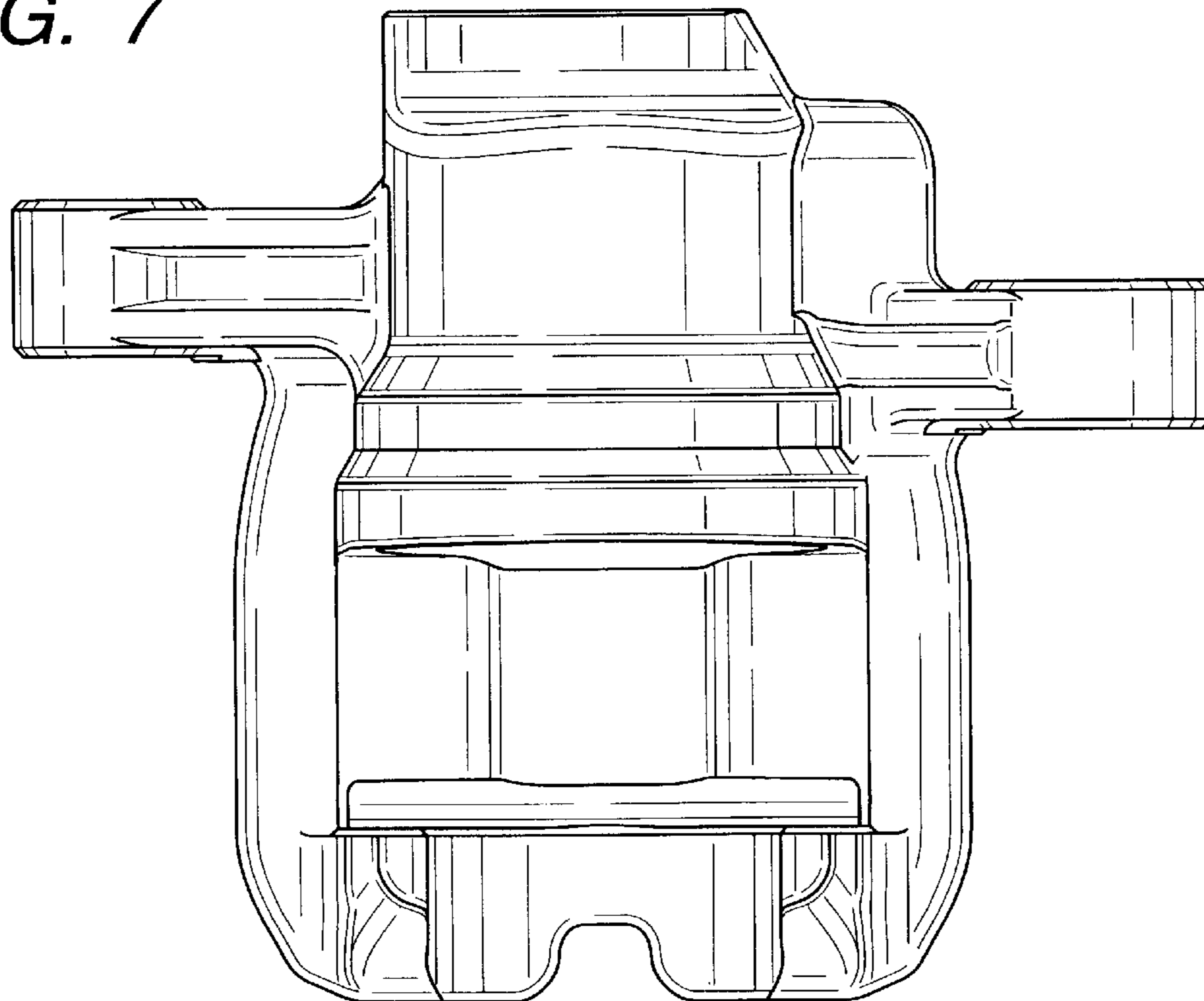


FIG. 8

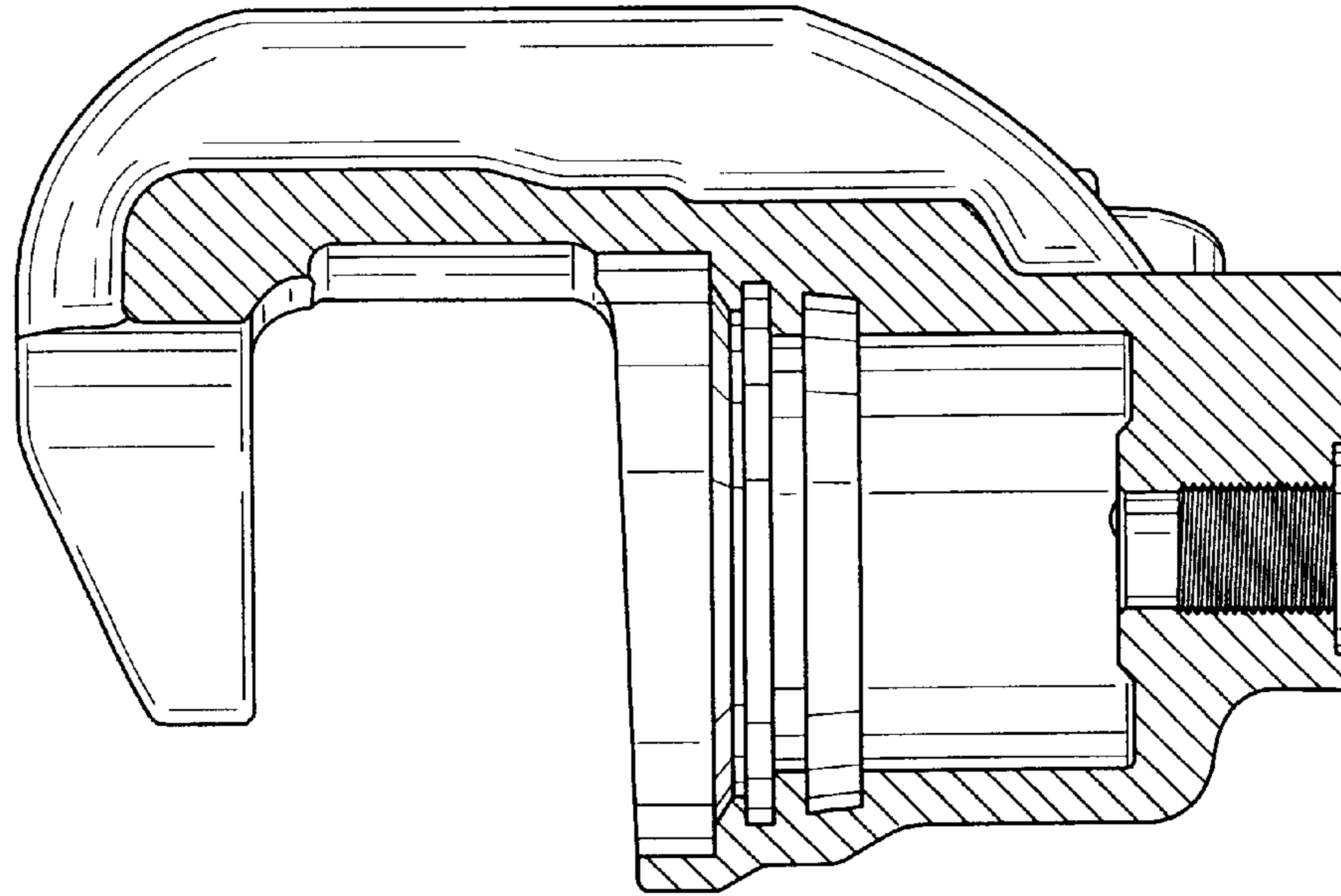


FIG. 9

