



US00D512665S

(12) **United States Design Patent**
Stack

(10) **Patent No.:** **US D512,665 S**

(45) **Date of Patent:** **** Dec. 13, 2005**

(54) **BICYCLE**

D499,360 S * 12/2004 Blankenship D12/111

(76) **Inventor:** **Ronald W. Stack**, Air Boom Inc.,
22714 Canyon Club Dr., Canyon Lake,
CA (US) 92587

* cited by examiner

Primary Examiner—Alan P. Douglas

Assistant Examiner—Linda Brooks

(74) *Attorney, Agent, or Firm*—Loyal McKinley Hanson

(**) **Term:** **14 Years**

(21) **Appl. No.:** **29/215,800**

(57) **CLAIM**

(22) **Filed:** **Oct. 25, 2004**

I claim the ornamental design for a bicycle, as shown.

(51) **LOC (6) Cl.** **12-11**

DESCRIPTION

(52) **U.S. Cl.** **D12/111**

FIG. 1 of the drawings is a perspective view showing the front, top, and left side of a bicycle embodying the design of my invention;

(58) **Field of Search** D12/111, 110;
280/274–288, 281.1, 288.1–288.3; 180/219,
220

FIG. 2 is an elevation view of the right side;

FIG. 3 is an elevation view of the back; and,

FIG. 4 is a plan view of the bottom.

(56) **References Cited**

U.S. PATENT DOCUMENTS

D301,437 S * 6/1989 Bleustein et al. D12/111

1 Claim, 2 Drawing Sheets

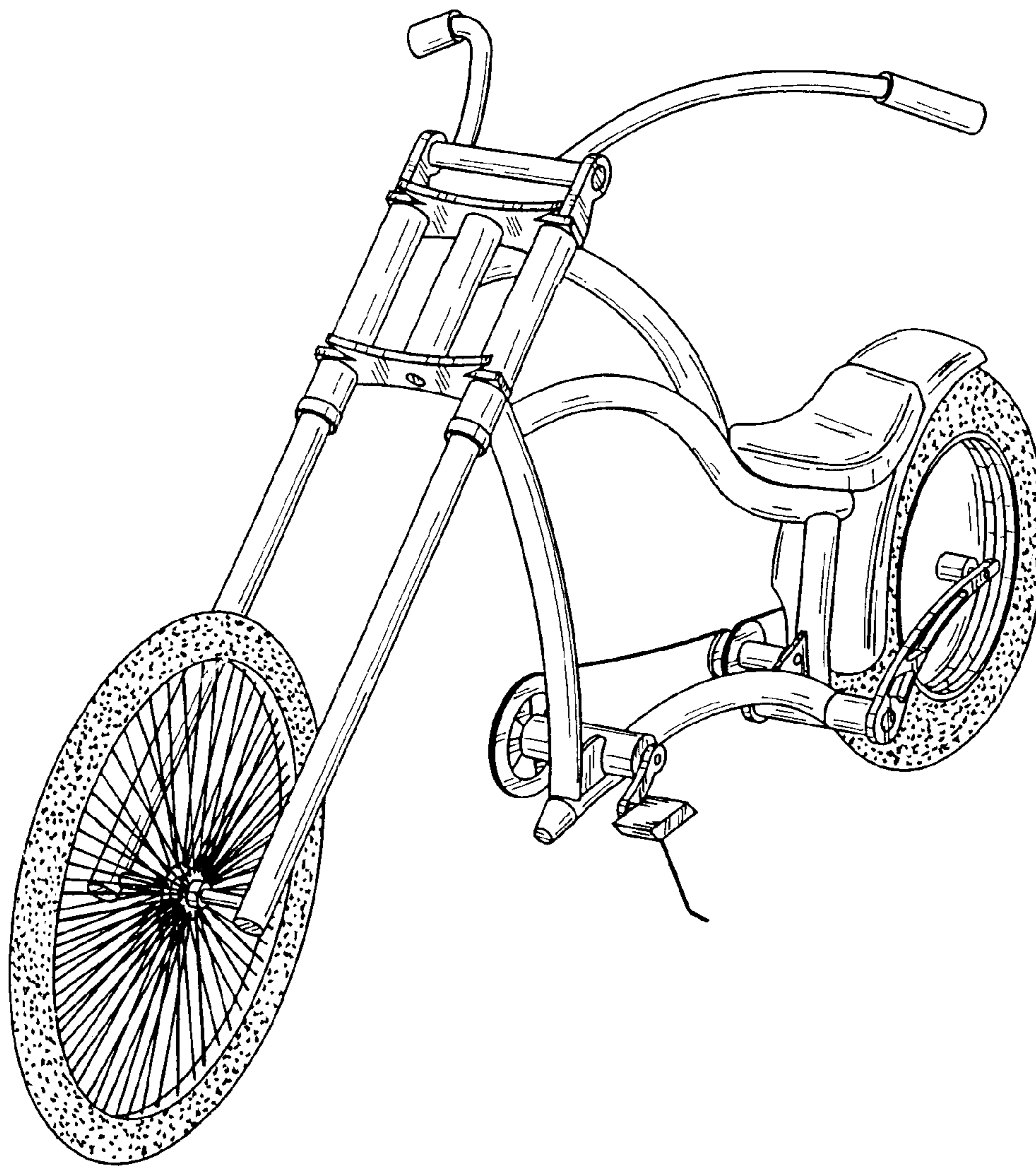


FIG. 1

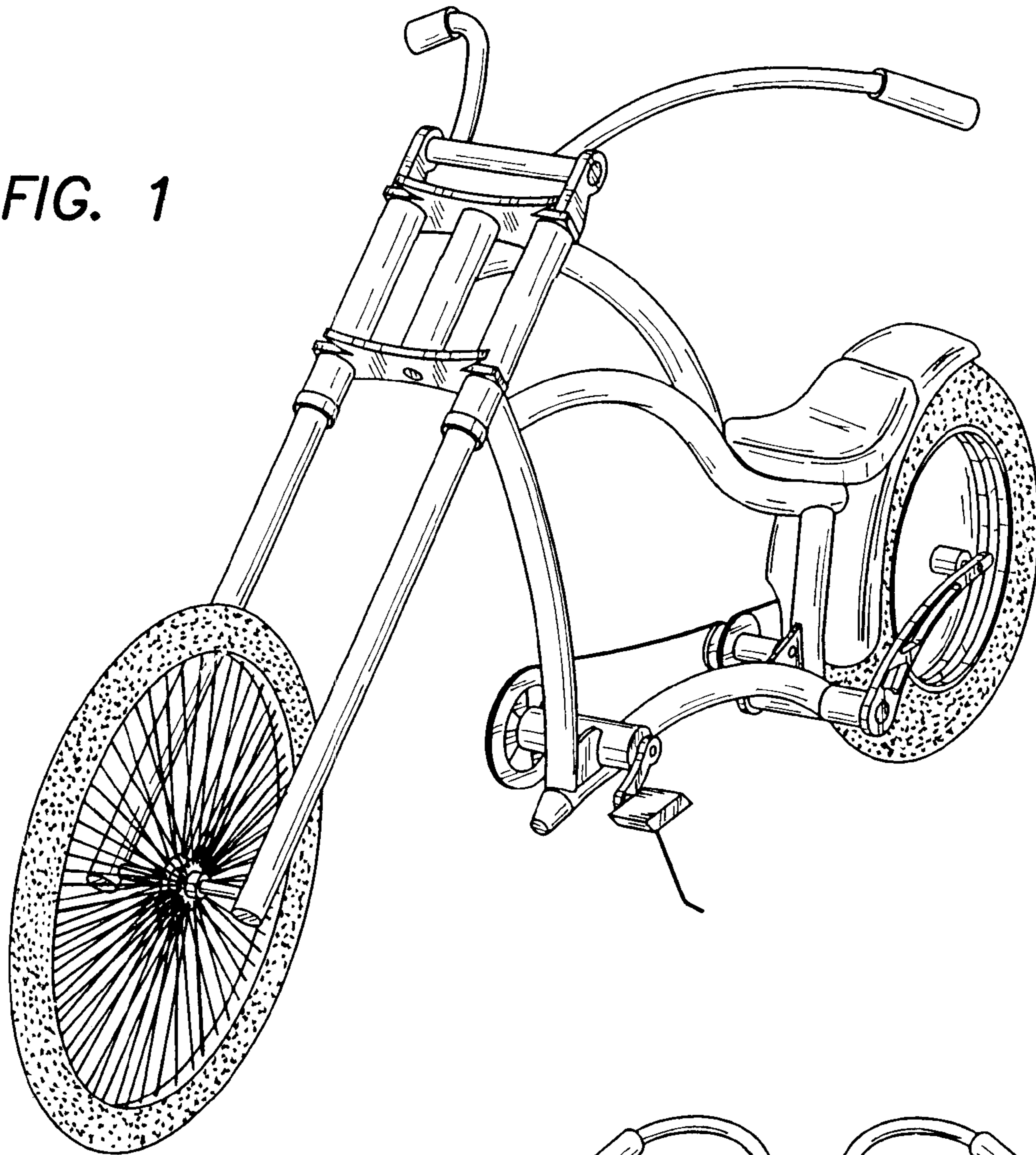
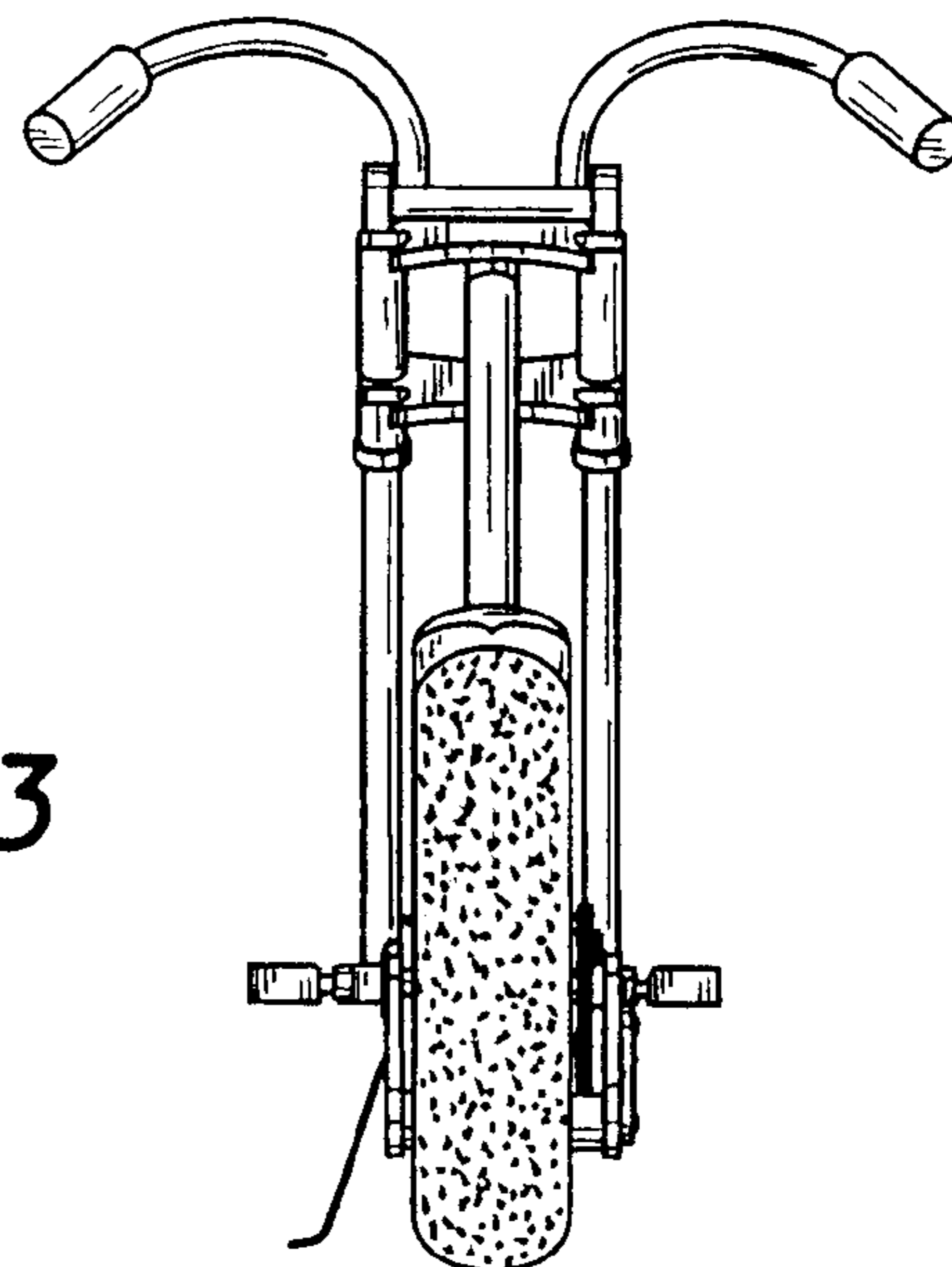


FIG. 3



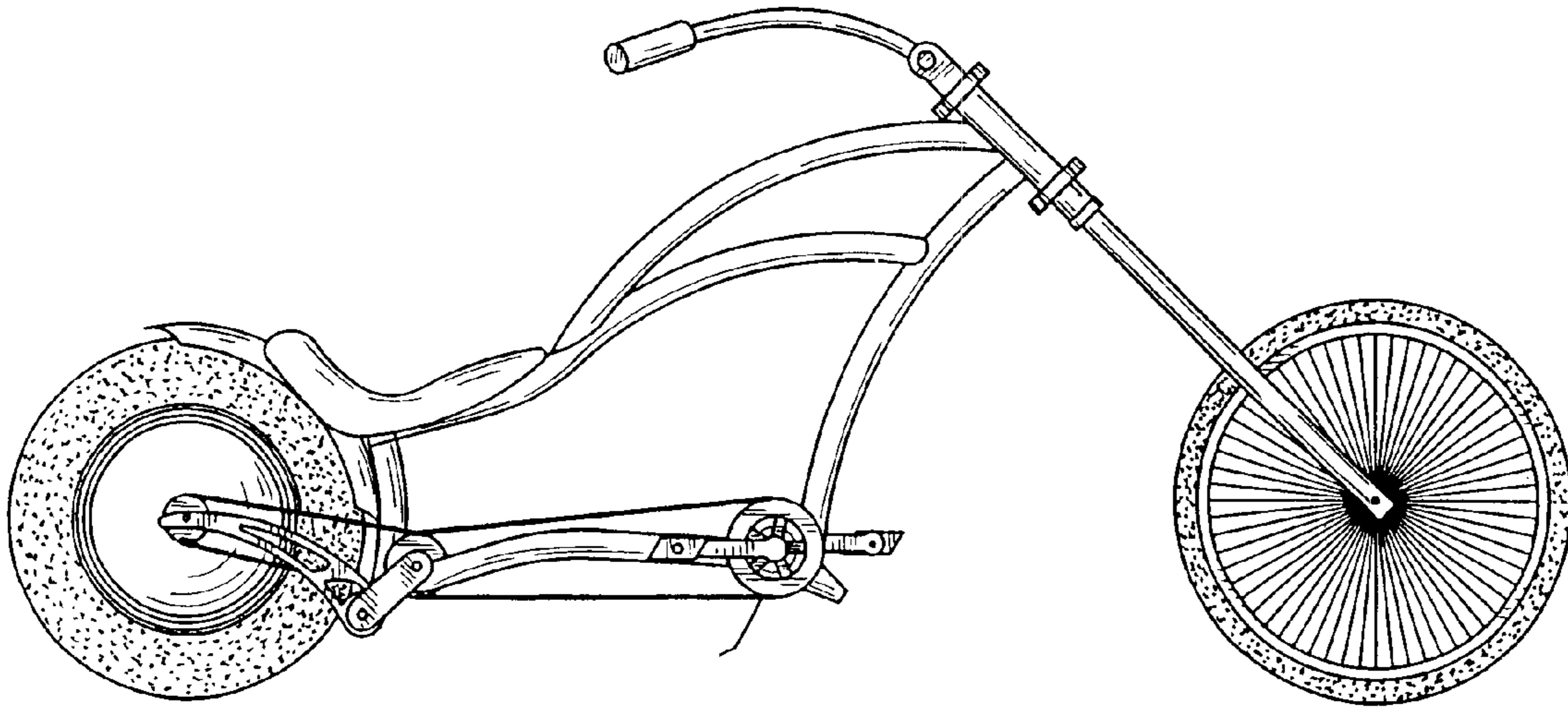


FIG. 2

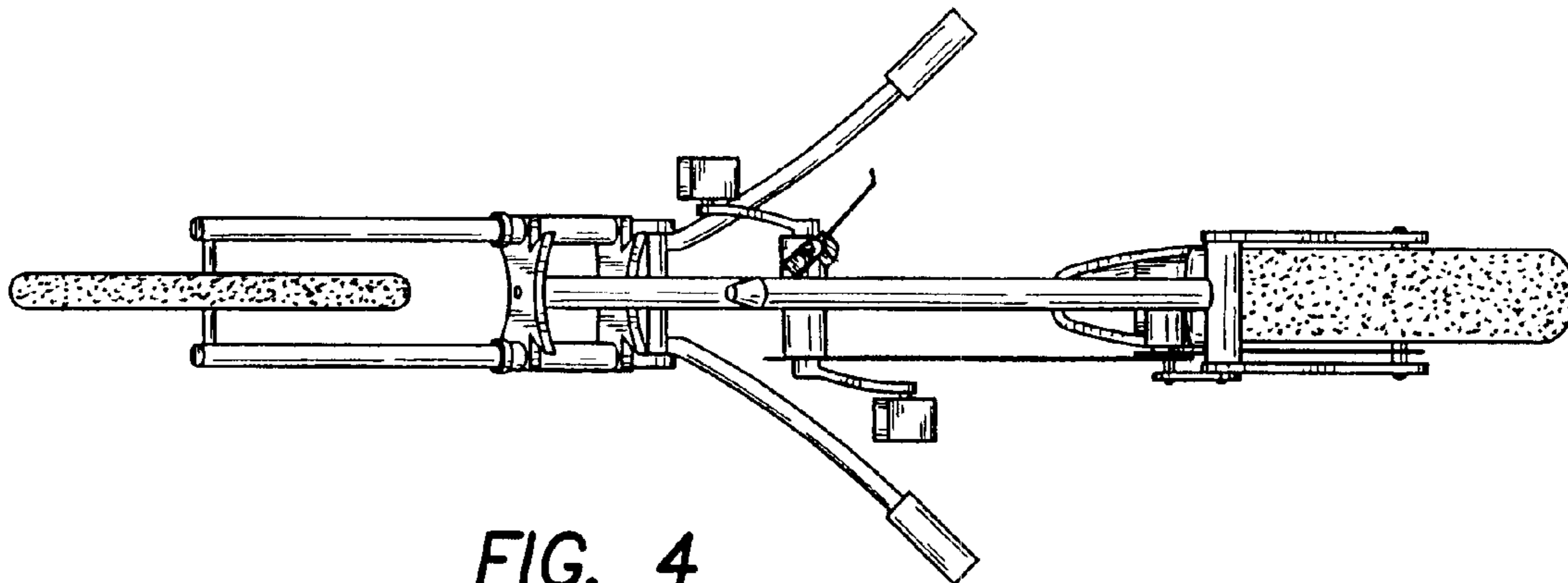


FIG. 4