



US00D512663S

(12) **United States Design Patent**  
**Nagle**

(10) **Patent No.:** **US D512,663 S**

(45) **Date of Patent:** **\*\* Dec. 13, 2005**

(54) **FRAME FOR A MOTORIZED VEHICLE**

(76) **Inventor:** **Christopher N. Nagle**, 1017 Bucks Rd., Perkasic, PA (US) 18944

(\*\*) **Term:** **14 Years**

(21) **Appl. No.:** **29/204,960**

(22) **Filed:** **May 6, 2004**

(51) **LOC (6) Cl.** ..... **12-11**

(52) **U.S. Cl.** ..... **D12/110**

(58) **Field of Search** ..... D12/110, 112, D12/85, 107; 180/210, 215, 217, 311, 312; 280/281.1, 282, 288.1-288.3

(56) **References Cited**

**U.S. PATENT DOCUMENTS**

D253,407 S	*	11/1979	Moore et al.	.....	D12/112
4,735,275 A	*	4/1988	Tsukahara et al.	.....	180/312
D344,696 S	*	3/1994	Rowedder	.....	D12/112

\* cited by examiner

*Primary Examiner*—Alan P. Douglas

*Assistant Examiner*—Linda Brooks

(74) *Attorney, Agent, or Firm*—Robert A. Koons, Jr.; Armando A. Flores; Buchanan Ingersoll PC

(57) **CLAIM**

The ornamental design for a frame for a motorized vehicle, substantially as shown and described.

**DESCRIPTION**

FIG. 1 is a perspective environmental view of the frame for a motorized vehicle showing my new design.

FIG. 2 is an enlarged front elevational view thereof.

FIG. 3 is an enlarged rear elevational view thereof.

FIG. 4 is a right side elevational view thereof.

FIG. 5 is a left side elevational view thereof.

FIG. 6 is a top plan view thereof; and,

FIG. 7 is a bottom plan view thereof.

The broken lines are for illustrative purposes only and form no part of the claimed design.

**1 Claim, 7 Drawing Sheets**

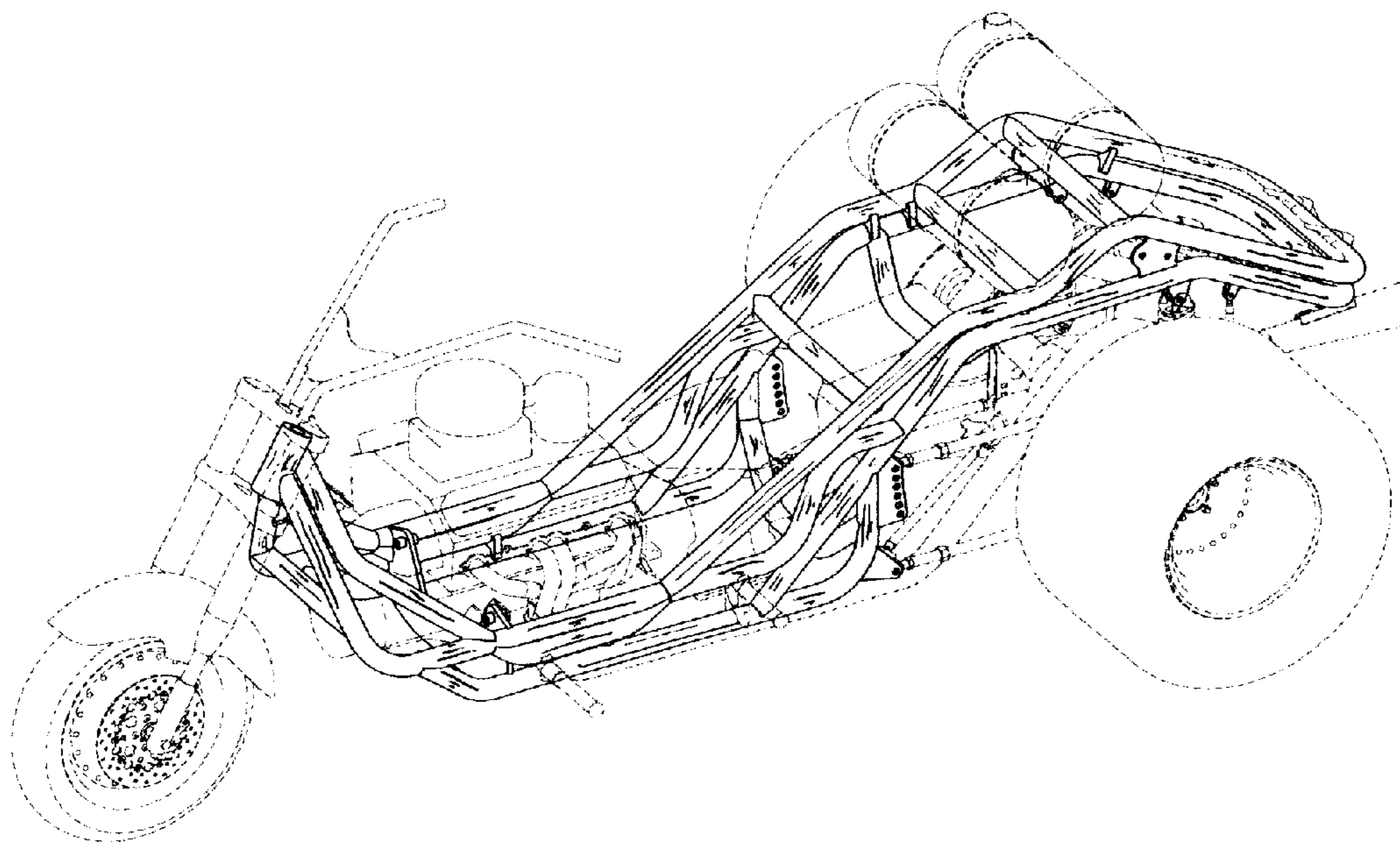


FIG. 1

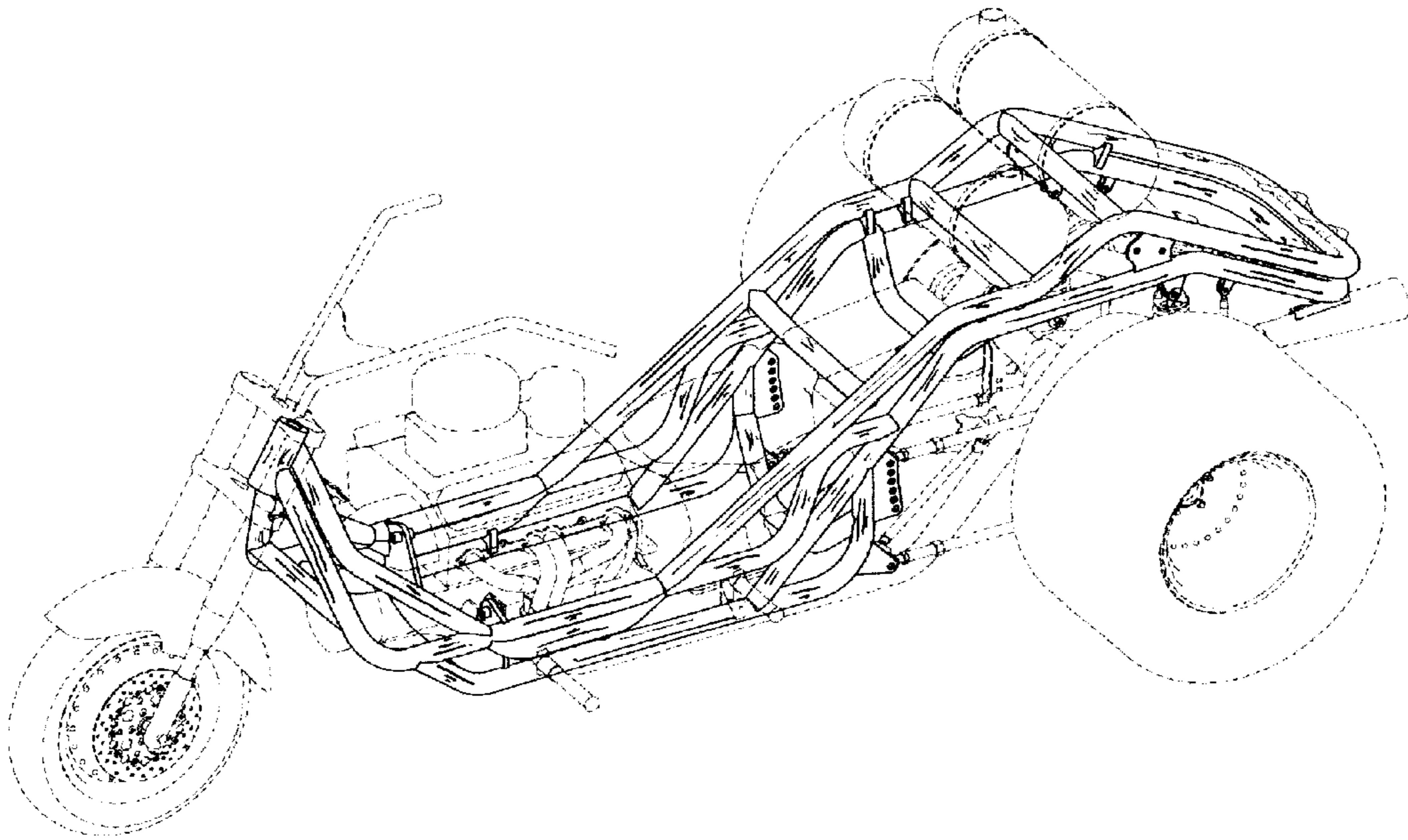


FIG. 2

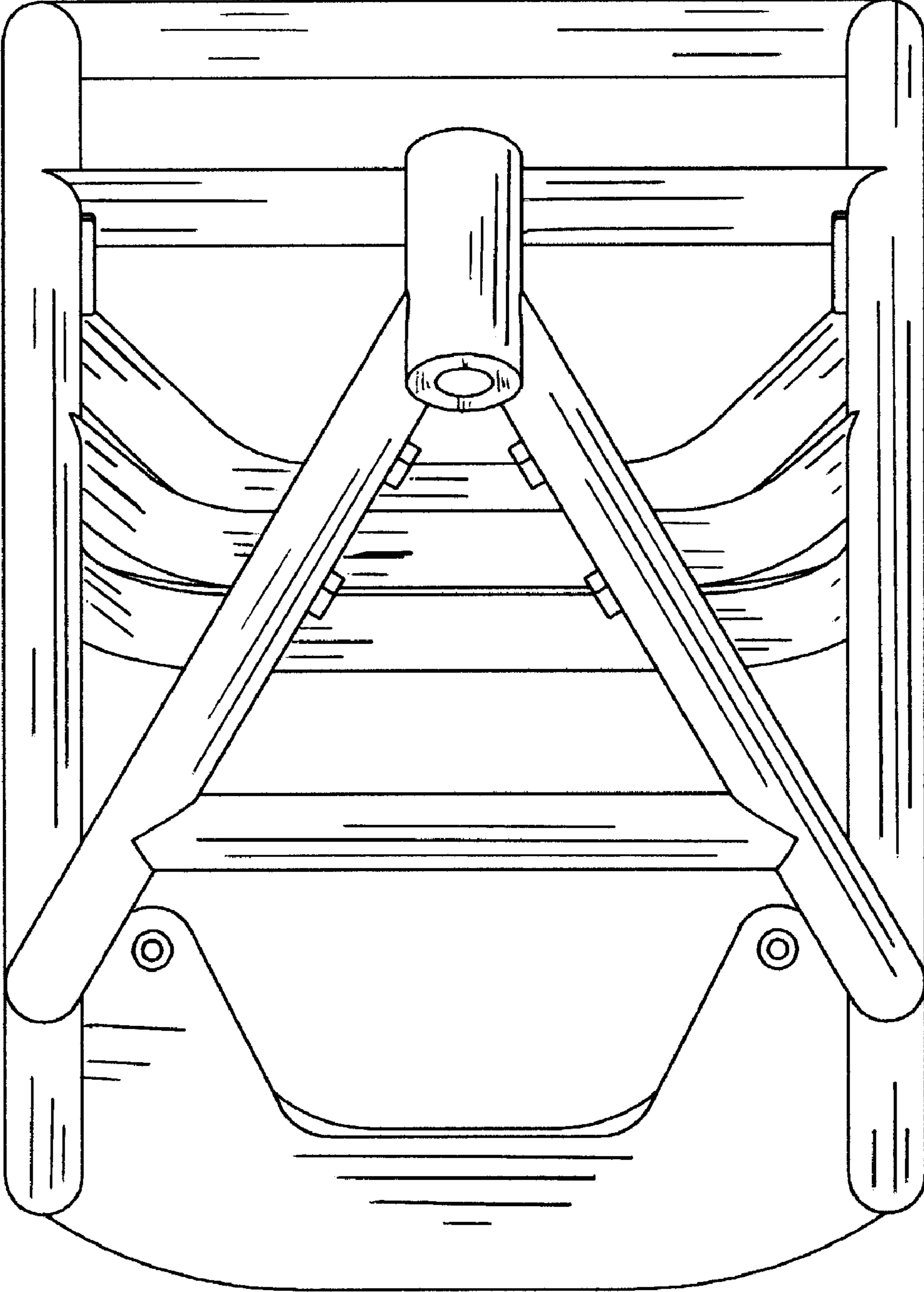


FIG. 3

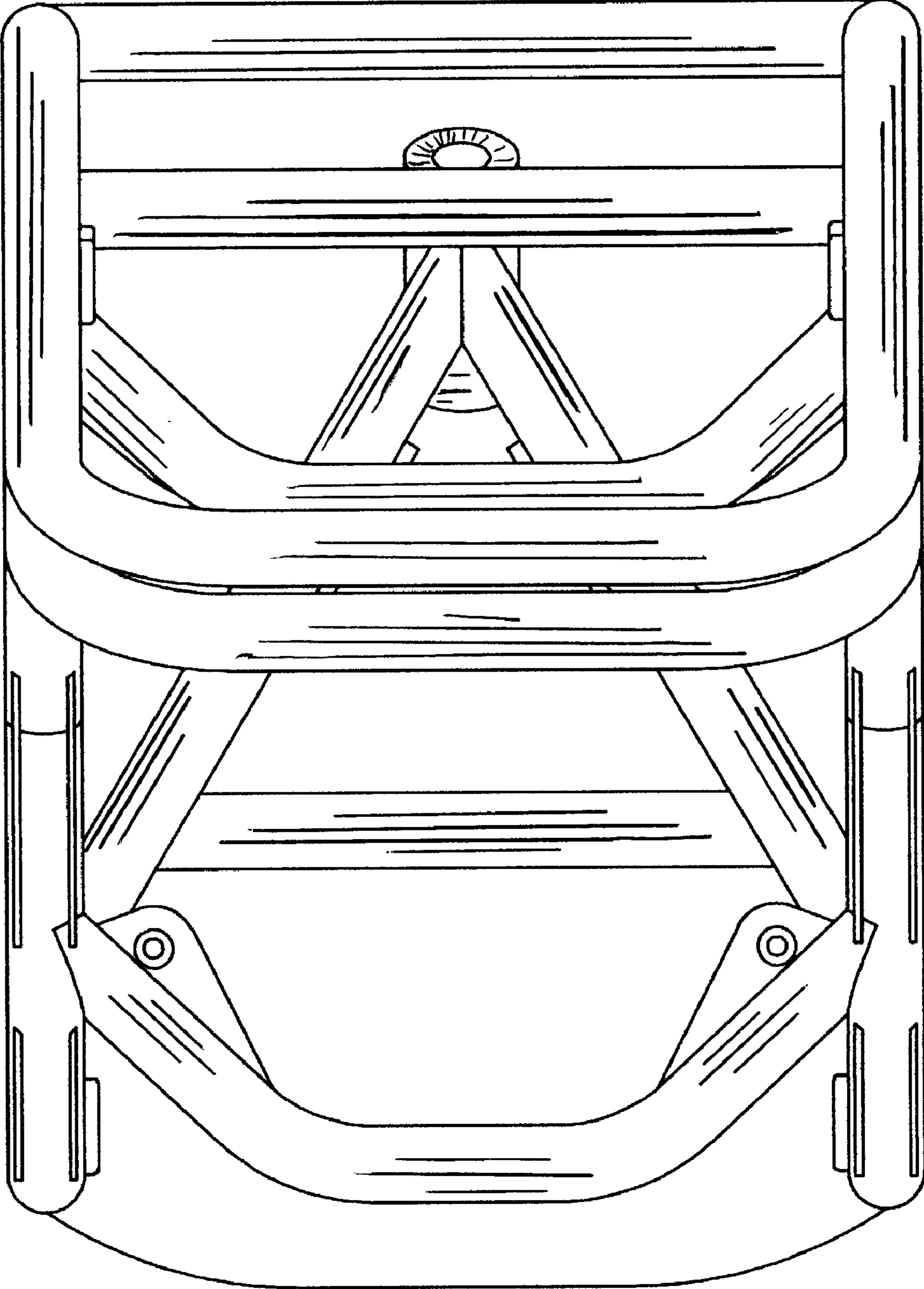


FIG. 4

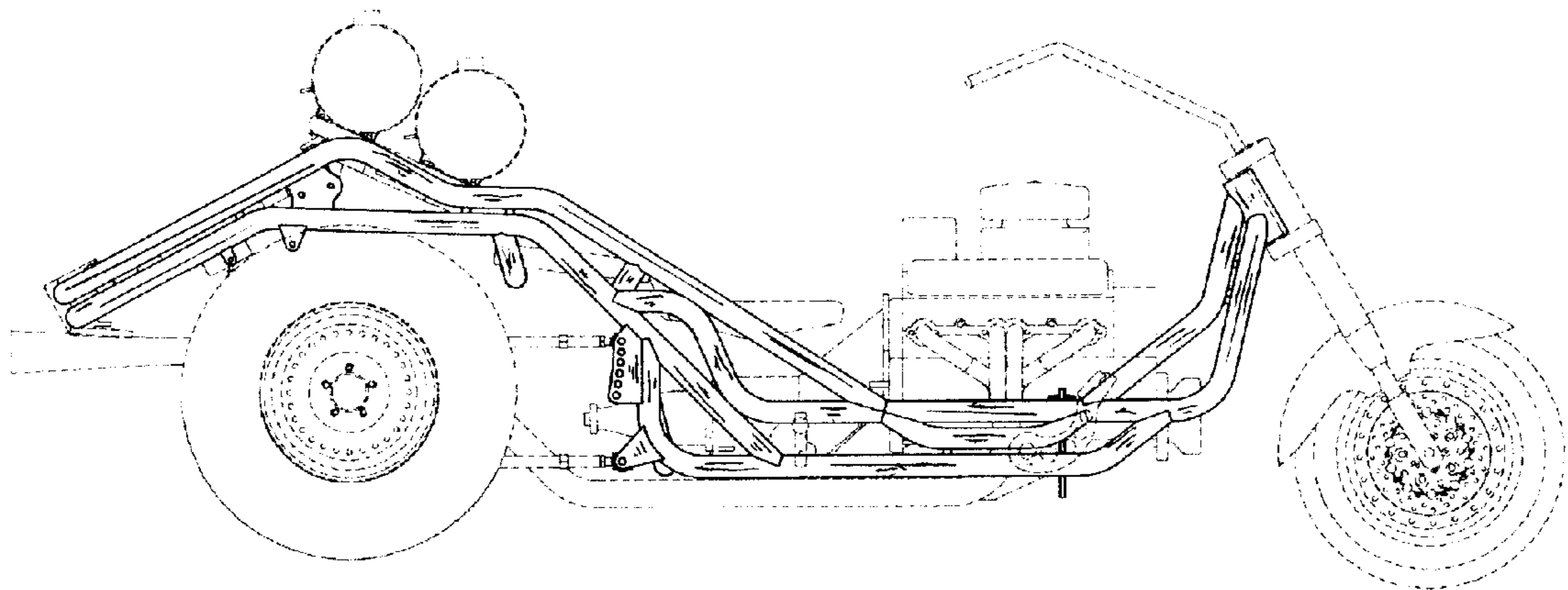


FIG. 5

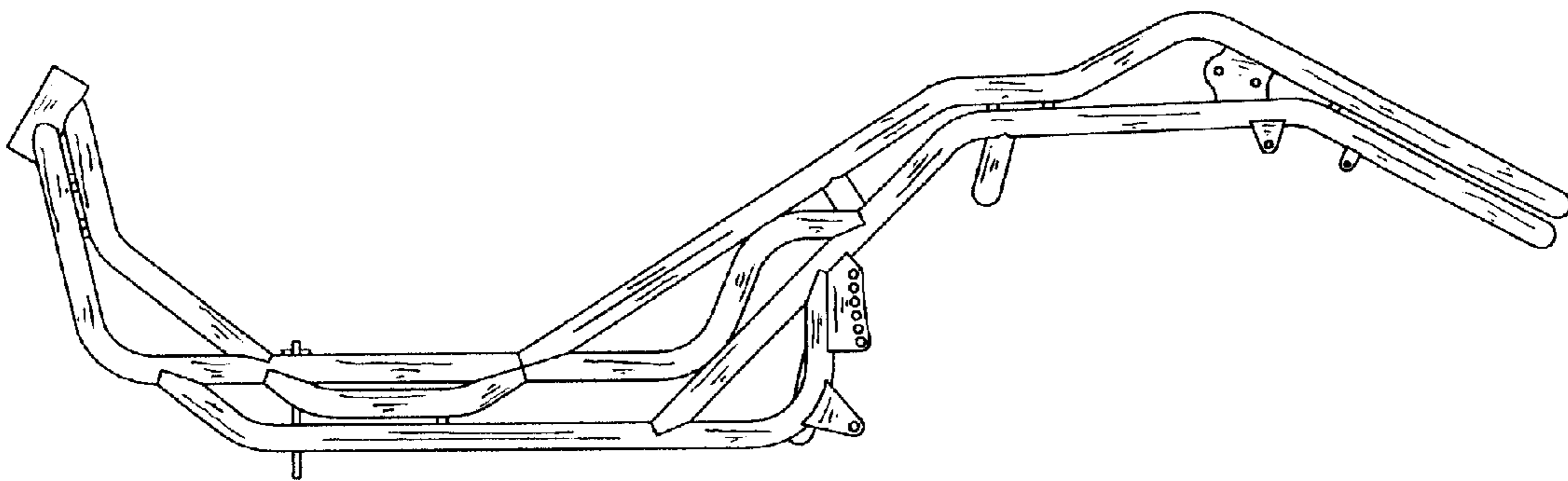


FIG. 6

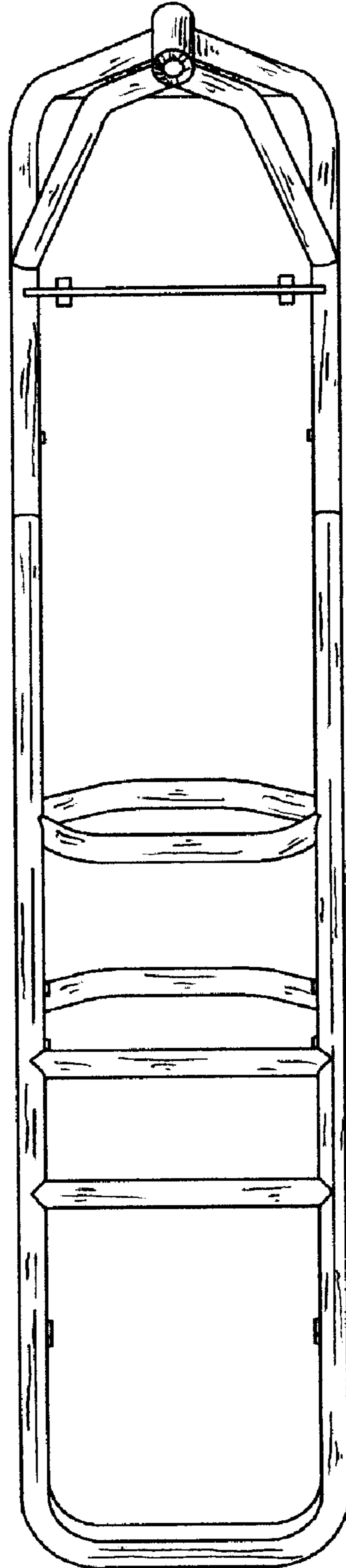


FIG. 7

