

US00D512662S

(12) **United States Design Patent**
Deluy

(10) **Patent No.:** **US D512,662 S**

(45) **Date of Patent:** **** Dec. 13, 2005**

(54) **ELEMENTS OF A FRONT FAIRING FOR A SNOWMOBILE**

D495,274 S * 8/2004 Sanschagrin et al. D12/7
D499,669 S * 12/2004 Sanschagrin et al. D12/7

(75) Inventor: **Nicolas Deluy**, Canton de Magog (CA)

* cited by examiner

(73) Assignee: **Bombardier-Nordtrac Oy**, Rovaniemi (FI)

Primary Examiner—Stacia Cadmus

(74) *Attorney, Agent, or Firm*—BRP Legal Services

(**) Term: **14 Years**

(57) **CLAIM**

The ornamental design for elements of a front fairing for a snowmobile, as shown and described.

(21) Appl. No.: **29/222,779**

(22) Filed: **Feb. 2, 2005**

DESCRIPTION

(51) **LOC (6) Cl.** **12-14**

(52) **U.S. Cl.** **D12/7**

(58) **Field of Search** D12/7, 307, 400;
D21/533; 180/182–186, 190–194; 280/645;
114/270; 123/41.01

FIG. 1 is a perspective illustration, from the front and left side, of elements of a front fairing for a snowmobile according to my design;

FIG. 2 is a left side elevation view thereof, the right side being a mirror image;

FIG. 3 is a front elevation view thereof;

FIG. 4 is a rear elevation view thereof;

FIG. 5 is a top plan view thereof; and,

FIG. 6 is a bottom plan view thereof.

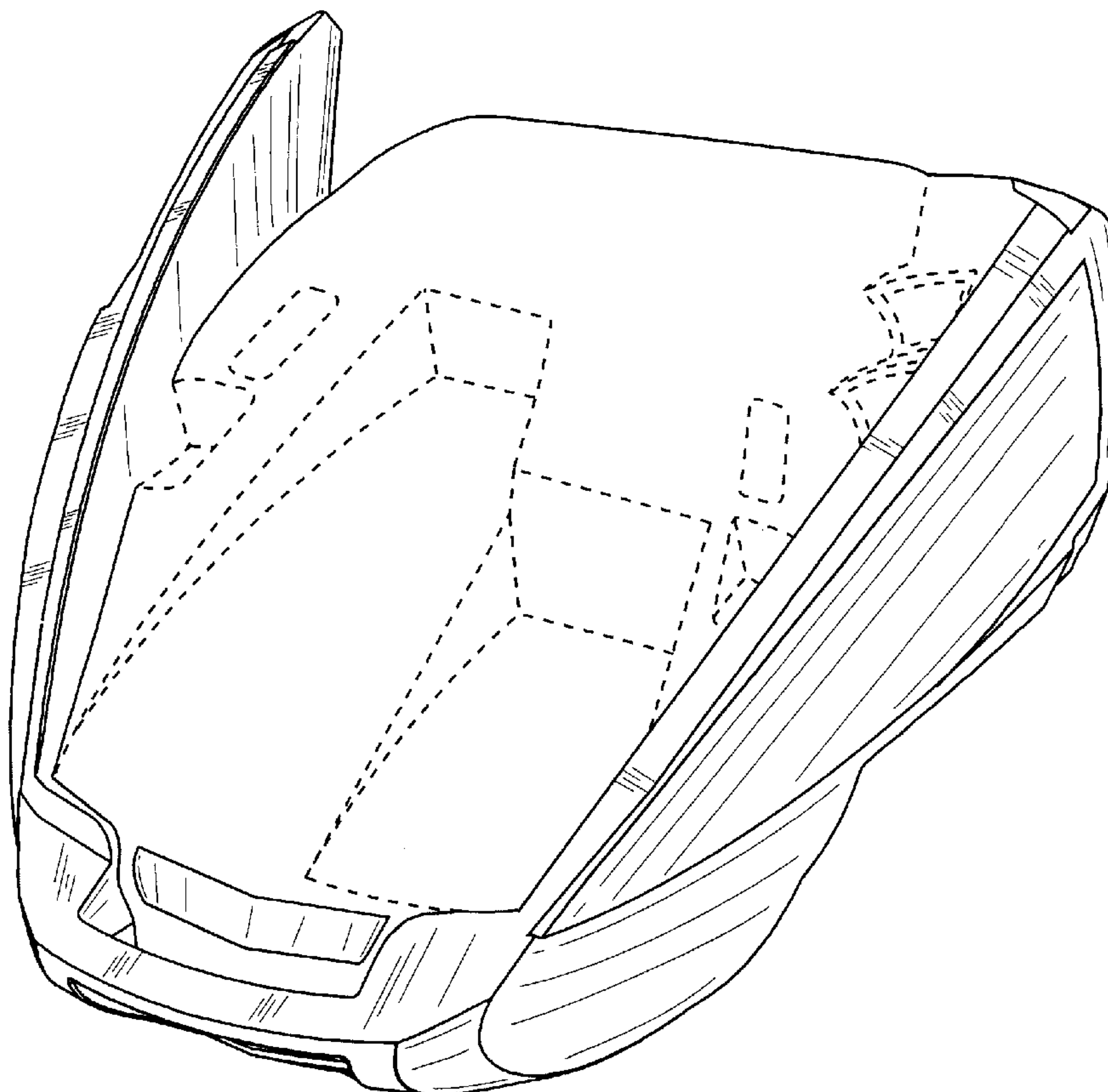
In FIGS. 1, 3, 5 & 6, broken lines showing structure are for illustrative purposes only and form no part of the claimed design.

(56) **References Cited**

U.S. PATENT DOCUMENTS

- D403,272 S * 12/1998 Cadotte et al. D12/7
- 6,234,263 B1 * 5/2001 Boivin et al. 180/184
- 6,491,125 B2 * 12/2002 Girouard et al. 180/190
- D487,244 S * 3/2004 Bucaccio et al. D12/307
- D494,100 S * 8/2004 Sanschagrin et al. D12/7
- D494,504 S * 8/2004 Sanschagrin et al. D12/7

1 Claim, 6 Drawing Sheets



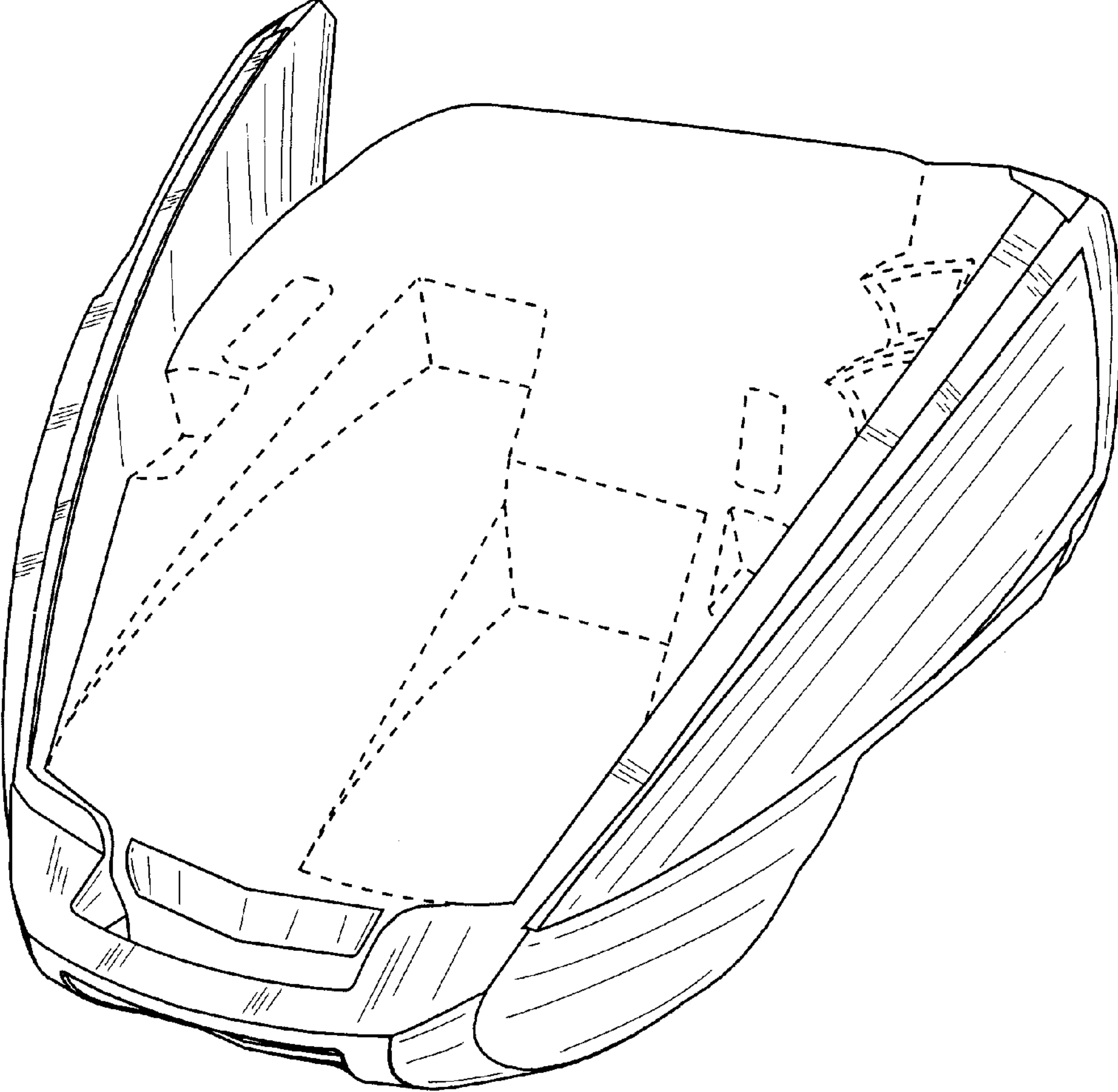


FIG. 1

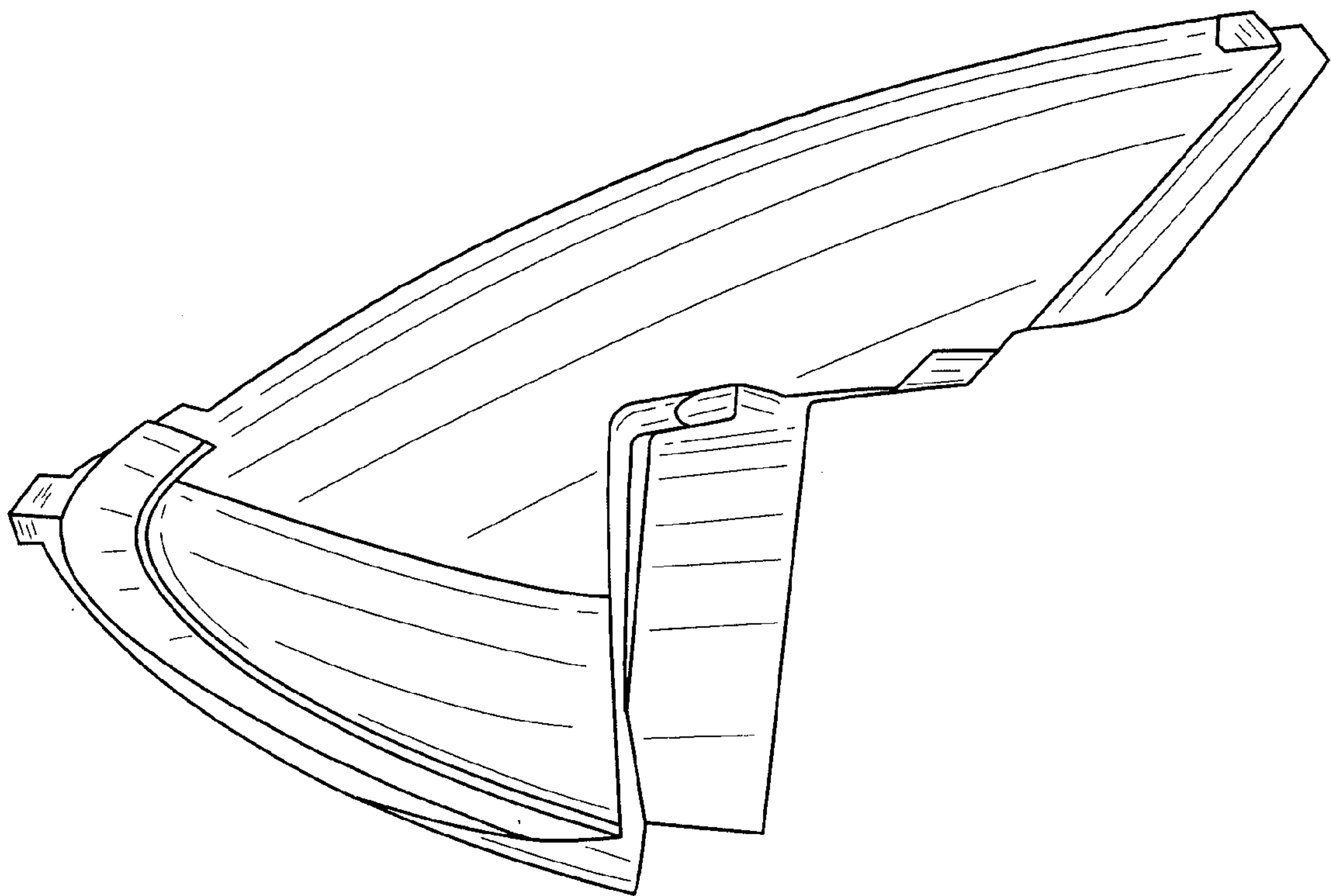


FIG. 2

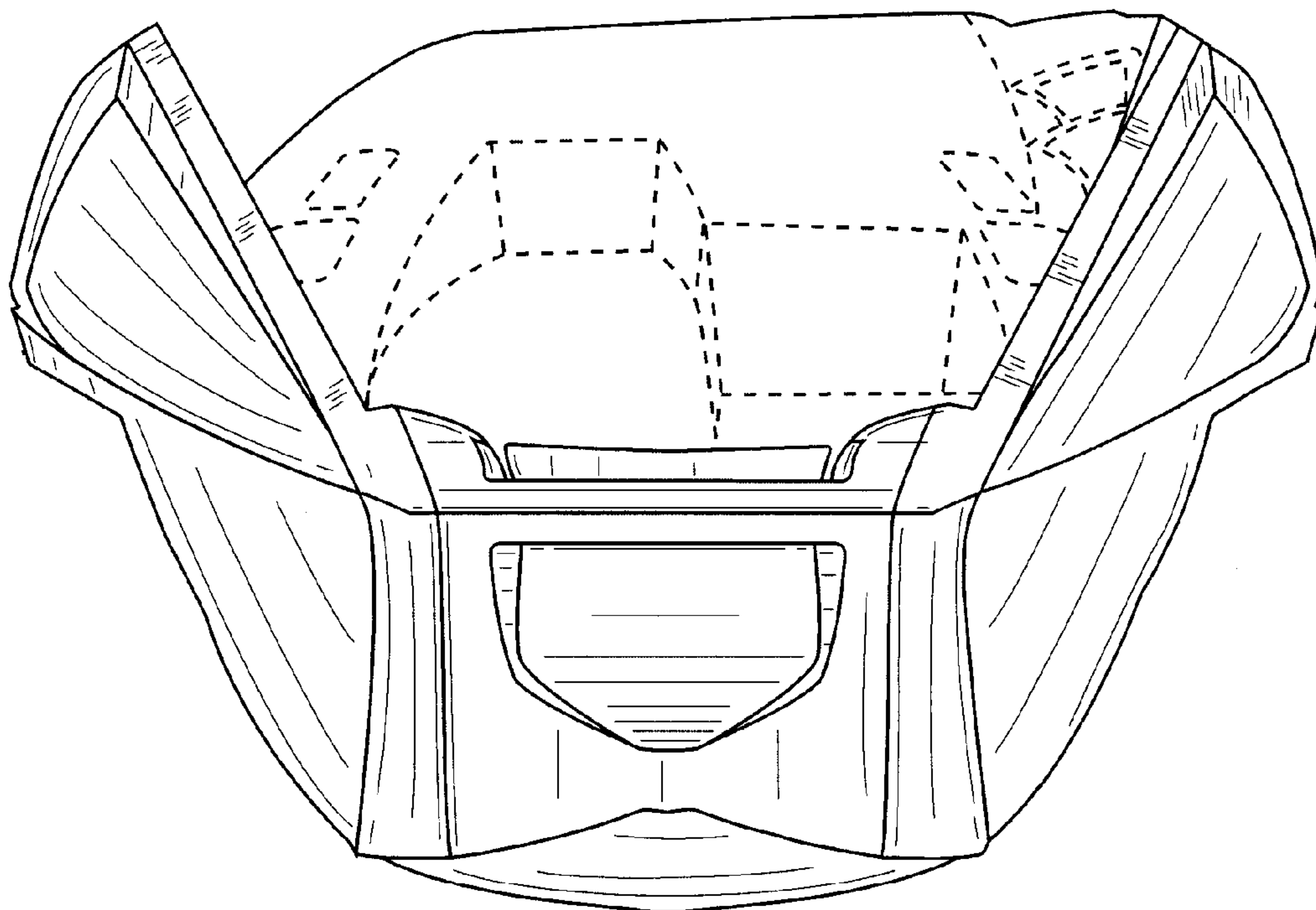


FIG. 3

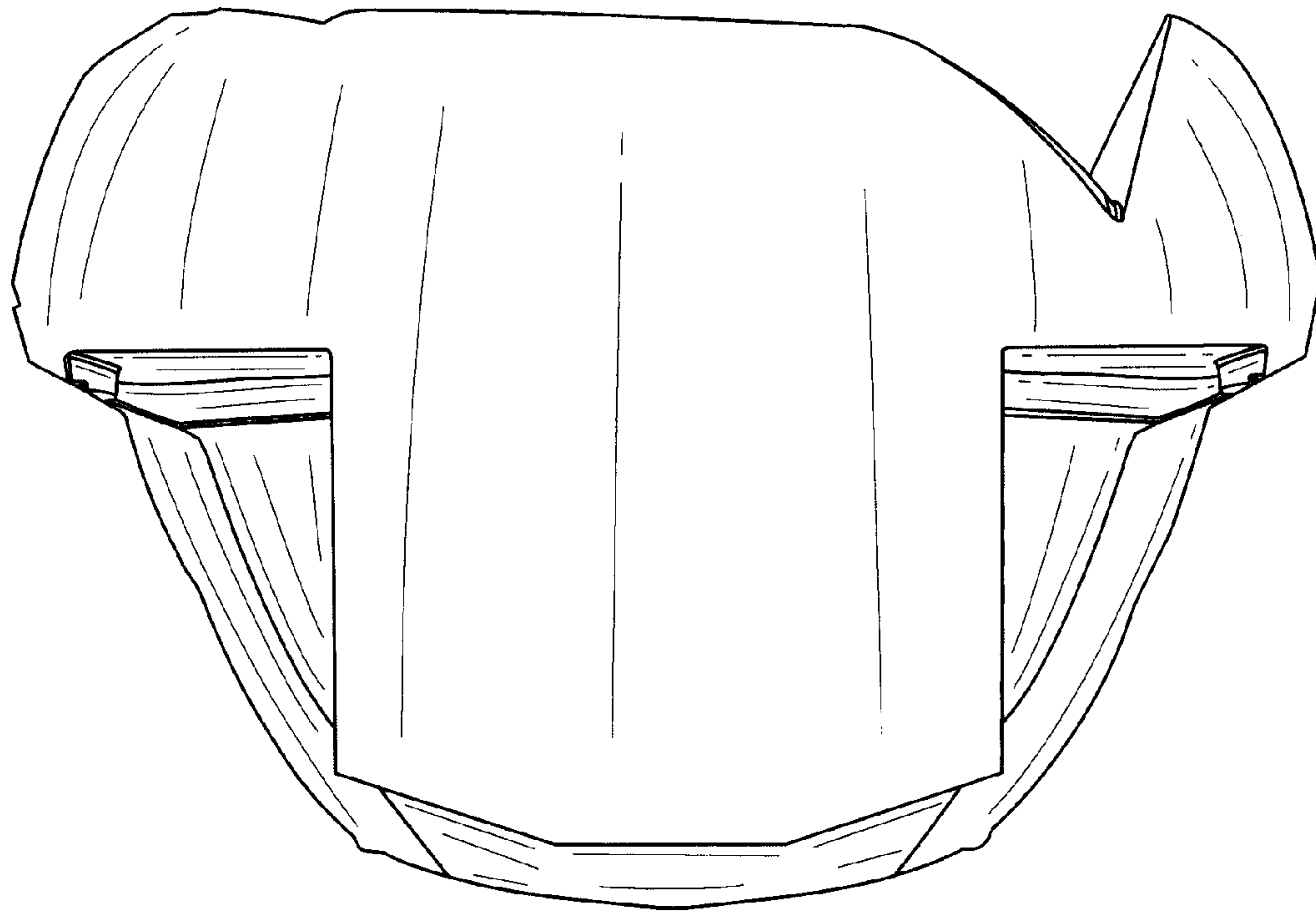


FIG. 4

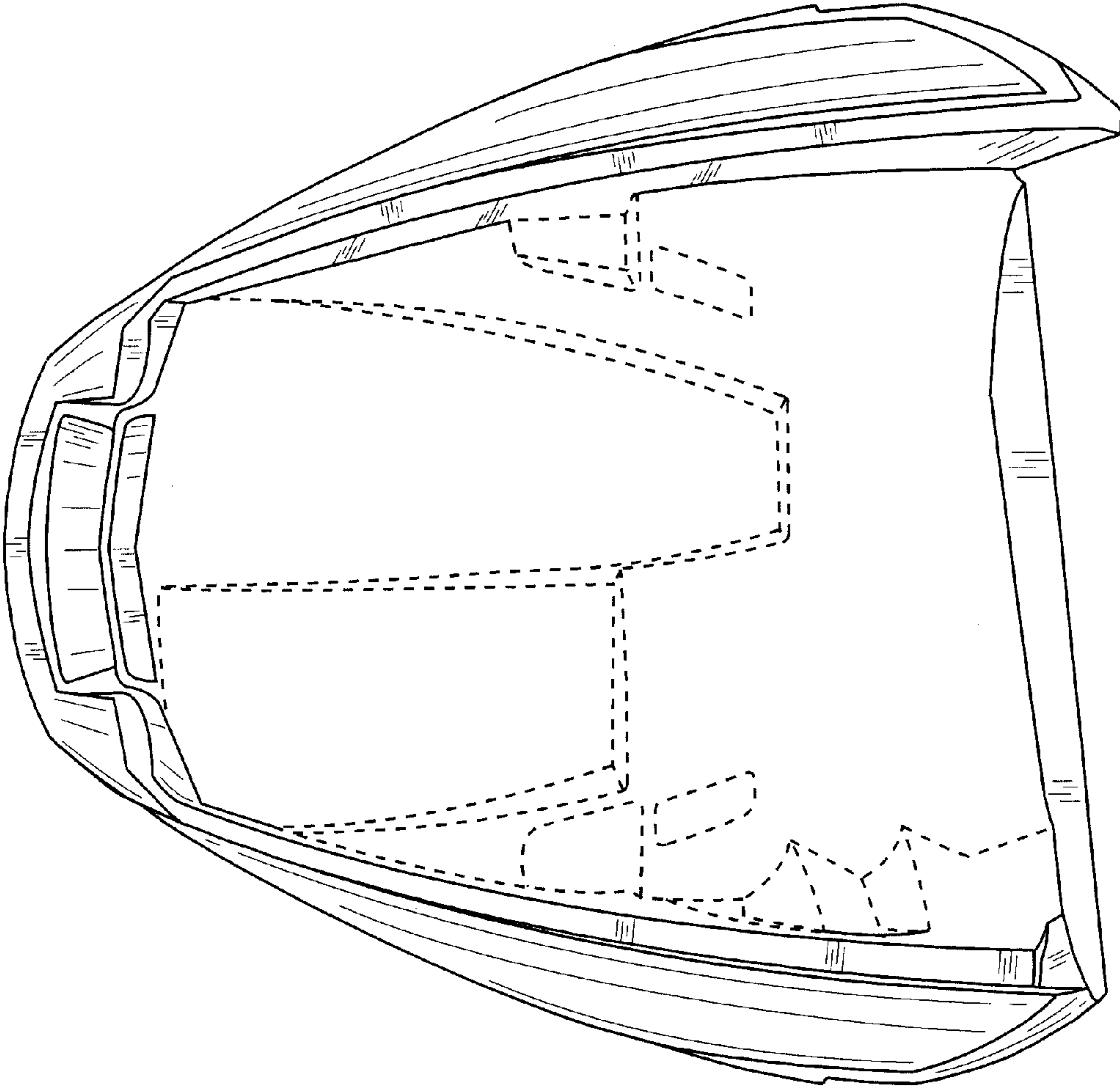


FIG. 5

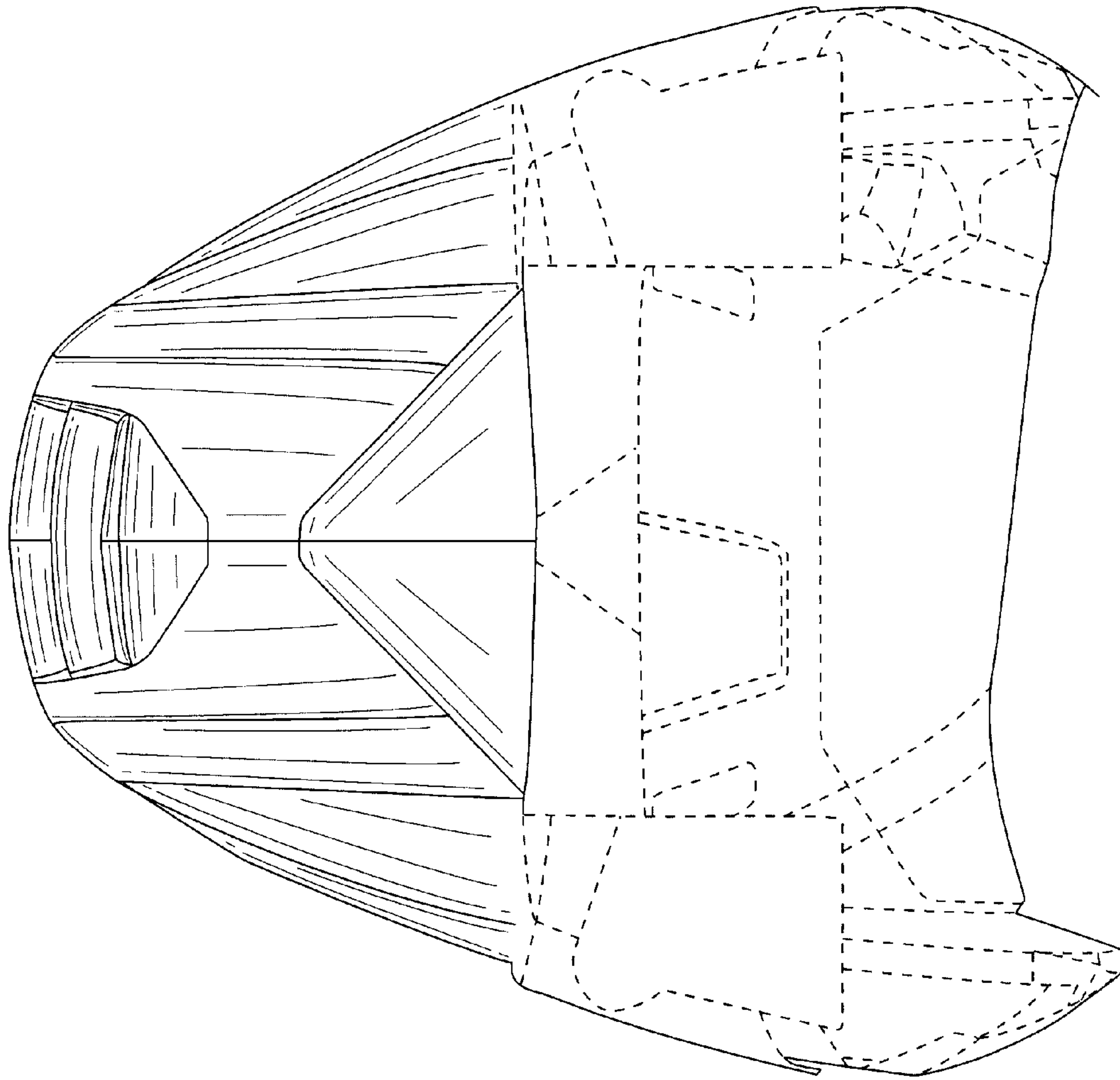


FIG. 6