



US00D512656S

(12) **United States Design Patent**
Yeung

(10) **Patent No.:** **US D512,656 S**

(45) **Date of Patent:** **** Dec. 13, 2005**

(54) **METAL DETECTOR**

(75) **Inventor:** **Wa-Sang Yeung, Kowloon (CN)**

(73) **Assignee:** **Eastcolight (Hong Kong) Limited, Kowloon (CN)**

(**) **Term:** **14 Years**

(21) **Appl. No.:** **29/210,542**

(22) **Filed:** **Aug. 3, 2004**

(51) **LOC (6) Cl.** **10-04**

(52) **U.S. Cl.** **D10/47**

(58) **Field of Search** D10/47; 324/327-329,
324/233; 340/368

(56) **References Cited**

U.S. PATENT DOCUMENTS

5,450,715 A	*	9/1995	Murray	56/16.9
5,680,048 A	*	10/1997	Wollny	324/329
5,721,489 A	*	2/1998	Weaver et al.	324/329
5,771,530 A	*	6/1998	Rodriquez	324/326

5,786,696 A	*	7/1998	Weaver et al.	324/329
5,969,528 A	*	10/1999	Weaver	324/329
6,097,190 A	*	8/2000	Foerster	324/329
D475,936 S	*	6/2003	Craig et al.	D10/47
6,617,856 B1	*	9/2003	Royle et al.	324/329

* cited by examiner

Primary Examiner—Antoine D. Davis

(74) *Attorney, Agent, or Firm*—Alix, Yale & Ristas, LLP

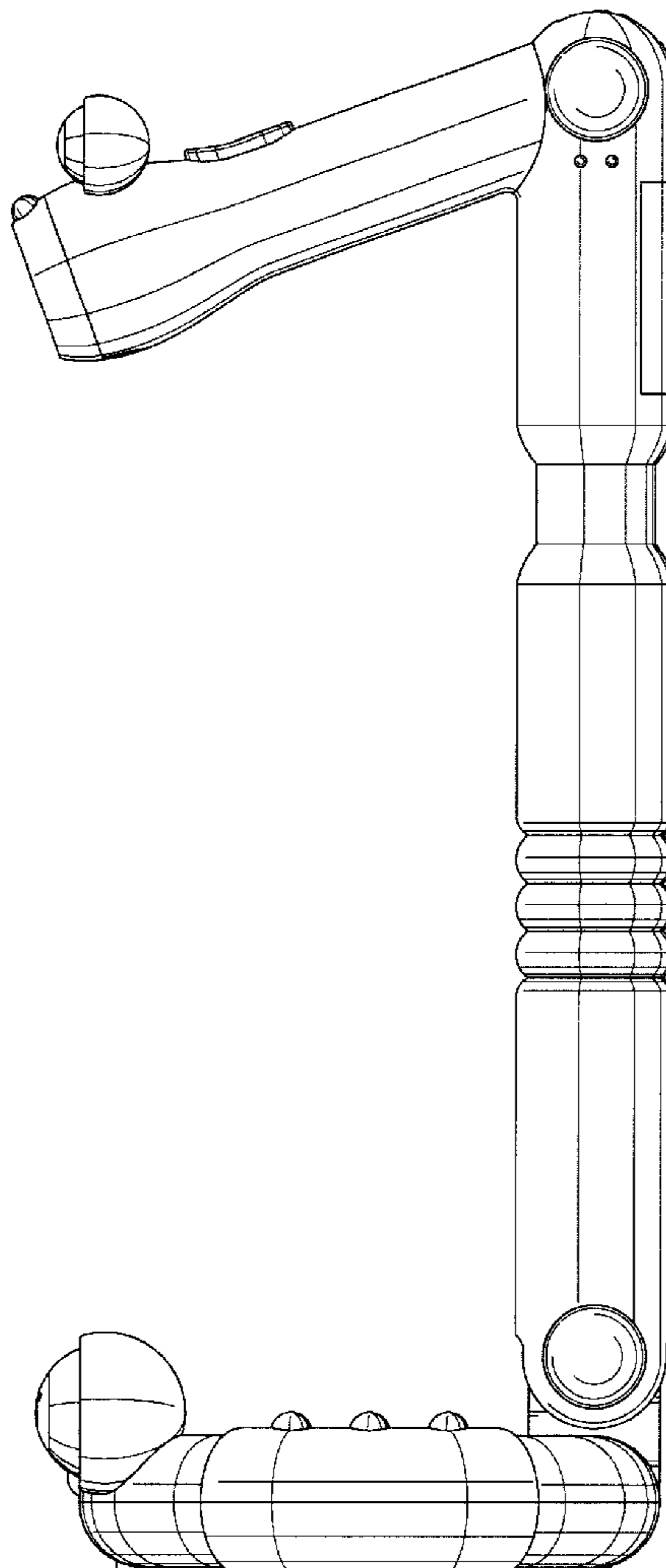
(57) **CLAIM**

The ornamental design for a metal detector, as shown and described.

DESCRIPTION

FIG. 1 is a front elevational view of a metal detector showing my new design;
FIG. 2 is a rear elevational view thereof;
FIG. 3 is a right side elevational view thereof;
FIG. 4 is a left side elevational view thereof;
FIG. 5 is a top plan view thereof; and,
FIG. 6 is a bottom plan view thereof.

1 Claim, 5 Drawing Sheets



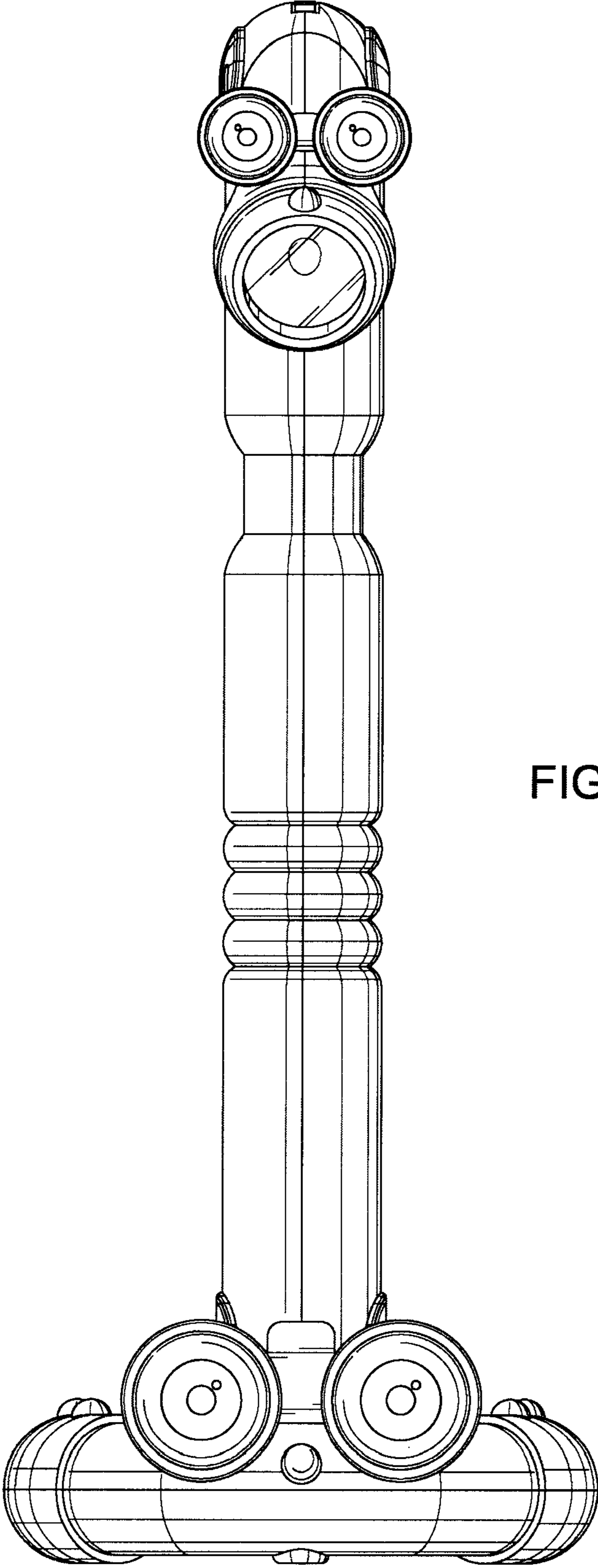


FIG. 1

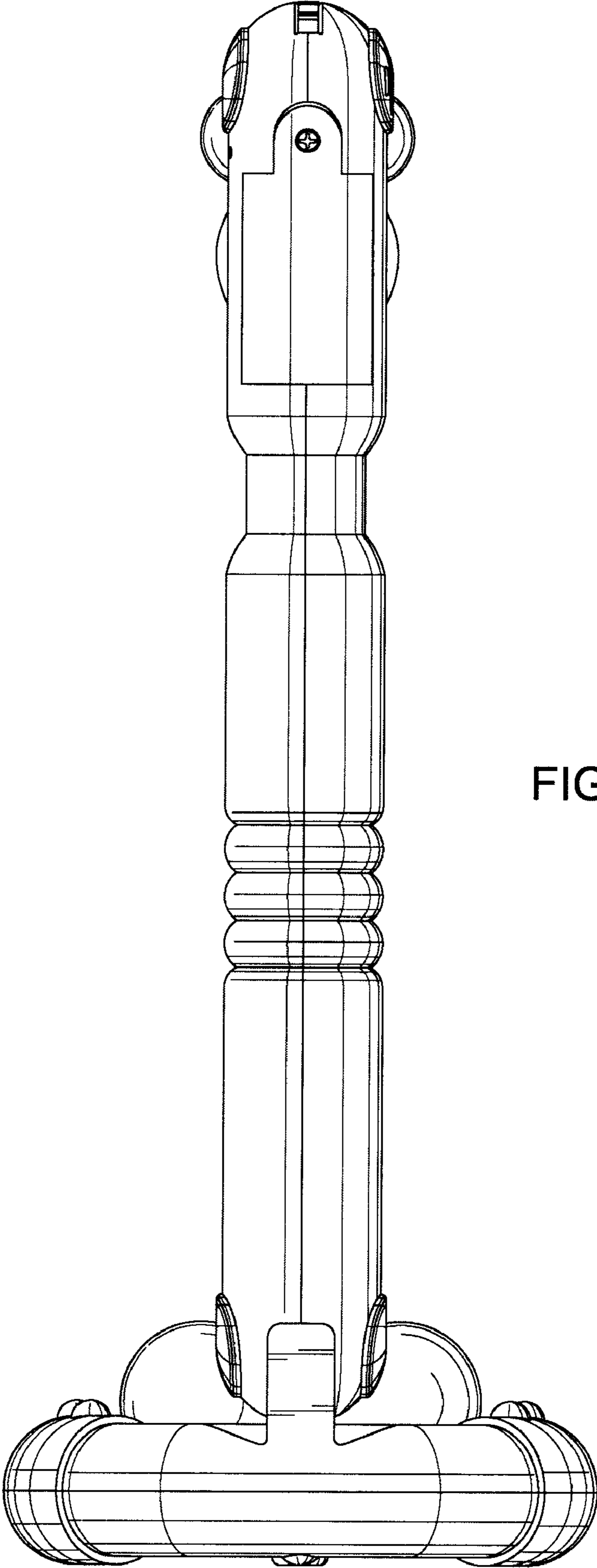


FIG. 2

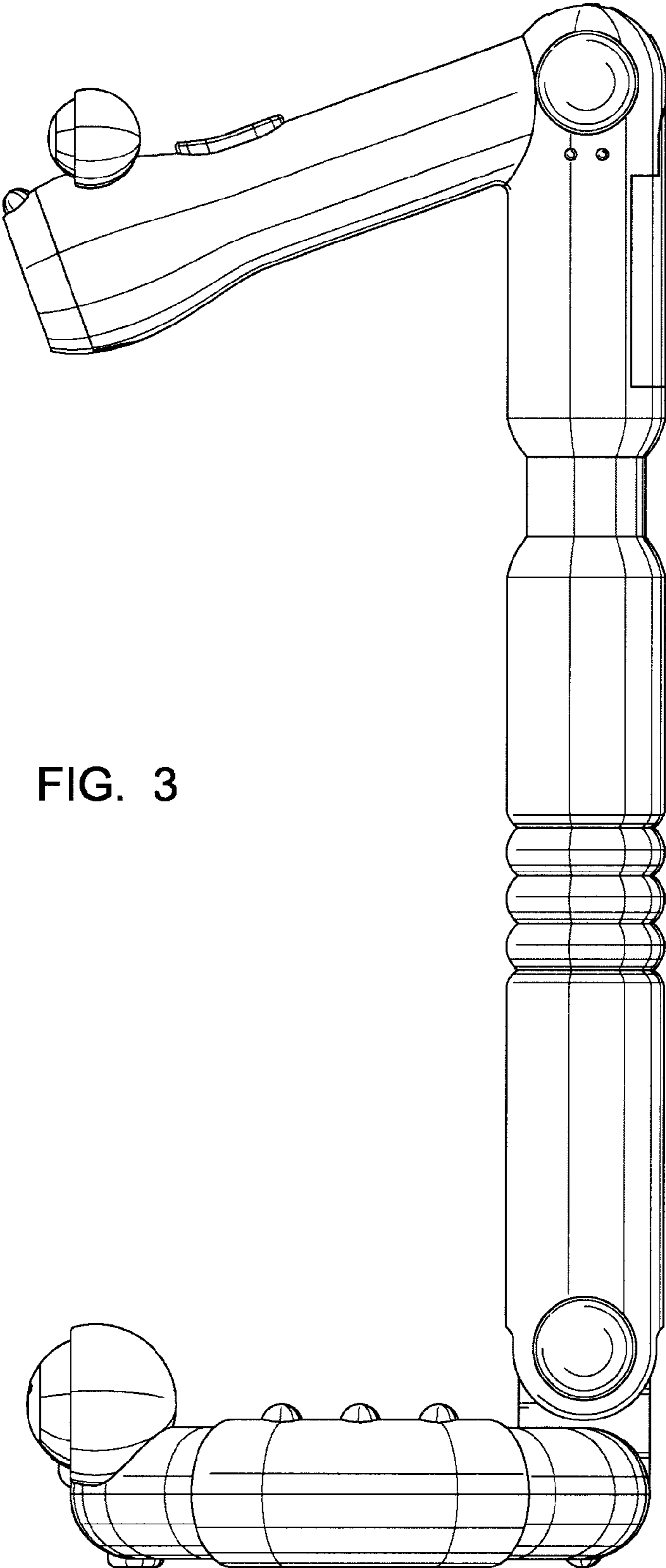


FIG. 3

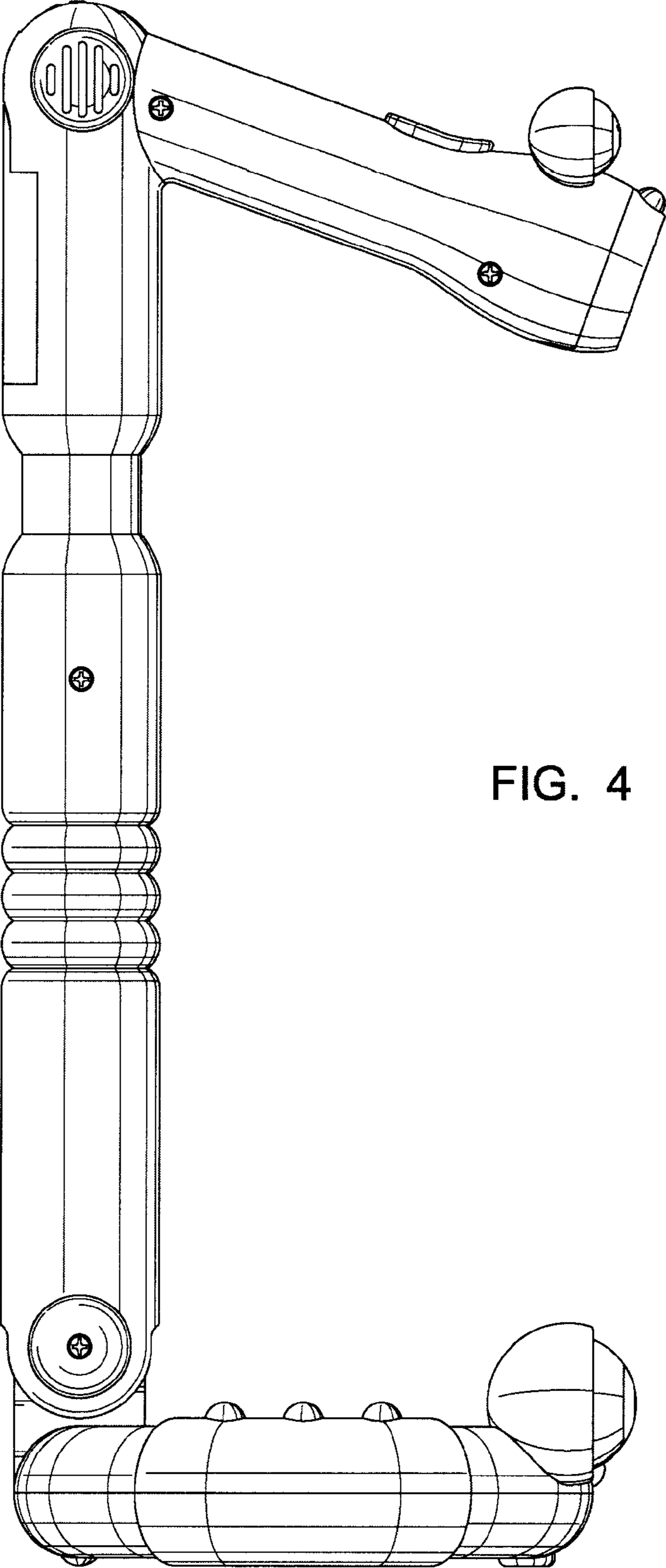


FIG. 4

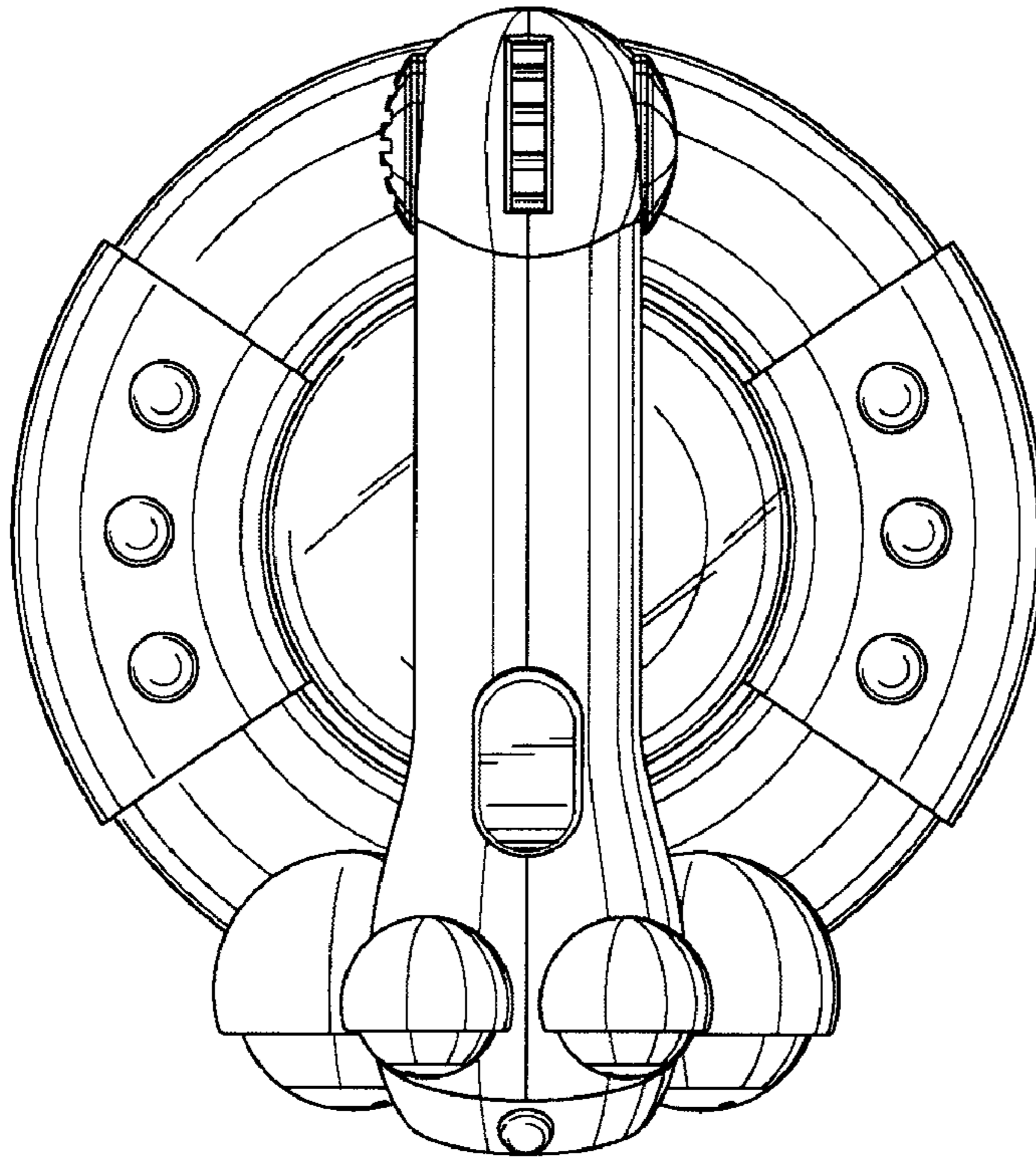


FIG. 5

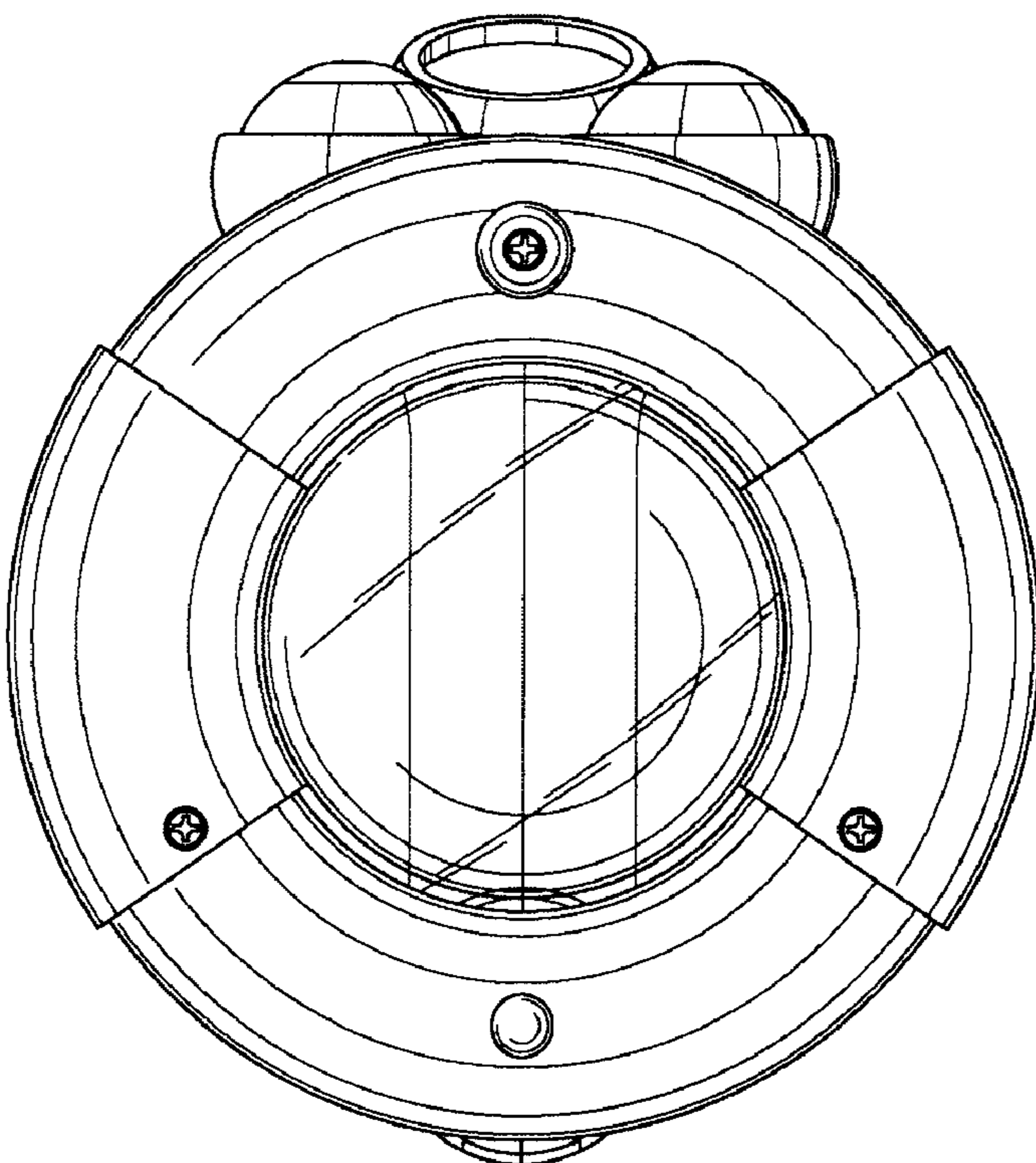


FIG. 6