



US00D512653S

(12) **United States Design Patent**
Chan

(10) **Patent No.:** **US D512,653 S**

(45) **Date of Patent:** **** Dec. 13, 2005**

(54) **CLOCK**

D386,690 S * 11/1997 Lewis D10/15
D452,167 S * 12/2001 Leyde et al. D10/18
D453,902 S * 2/2002 Lee D10/18

(75) **Inventor:** **Sik-Leung Chan**, New Territories (CN)

(73) **Assignee:** **C.C. & L Company Limited**, Tsuen Wan (HK)

(**) **Term:** **14 Years**

(21) **Appl. No.:** **29/213,437**

(22) **Filed:** **Sep. 17, 2004**

(30) **Foreign Application Priority Data**

Mar. 29, 2004 (HK) 0410691

(51) **LOC (6) Cl.** **10-01**

(52) **U.S. Cl.** **D10/15; D10/18**

(58) **Field of Search** D10/1-29, 40,
D10/128; 368/28-30, 41-44, 82-84, 239-249,
276, 277, 280, 285, 88, 226, 227, 223,
316, 317, 278, 284, 10

(56) **References Cited**

U.S. PATENT DOCUMENTS

D318,019 S * 7/1991 van Lelyveld D10/18
D366,215 S * 1/1996 George et al. D10/18
D382,008 S * 8/1997 Mak D18/2

OTHER PUBLICATIONS

Hong Kong Enterprise, Jul. , 1998, p. 185, L.C.D. Clock with Alarm, item #C670-01.*

* cited by examiner

Primary Examiner—Lucy Lieberman

(74) *Attorney, Agent, or Firm*—Alix, Yale & Ristas, LLP

(57) **CLAIM**

The ornamental design for a clock, as shown and described.

DESCRIPTION

FIG. 1 is a front perspective view of a clock showing my new design;

FIG. 2 is a front elevational view thereof;

FIG. 3 is a left side elevational view thereof;

FIG. 4 is a top plan view thereof;

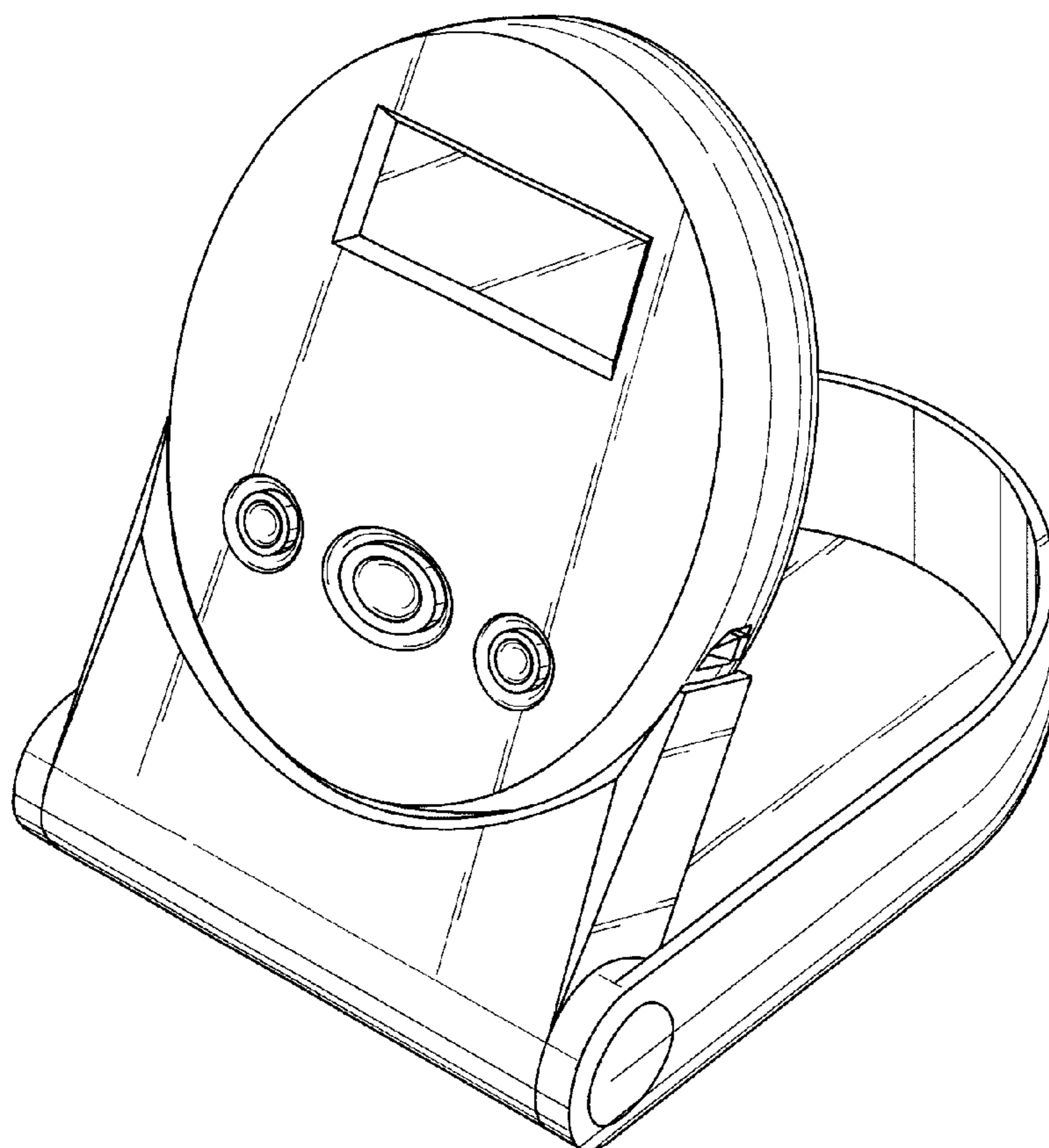
FIG. 5 is a right side elevational view thereof;

FIG. 6 is a rear elevational view thereof;

FIG. 7 is a bottom plan view thereof; and,

FIG. 8 is a front perspective view of the clock shown in an alternate configuration.

1 Claim, 4 Drawing Sheets



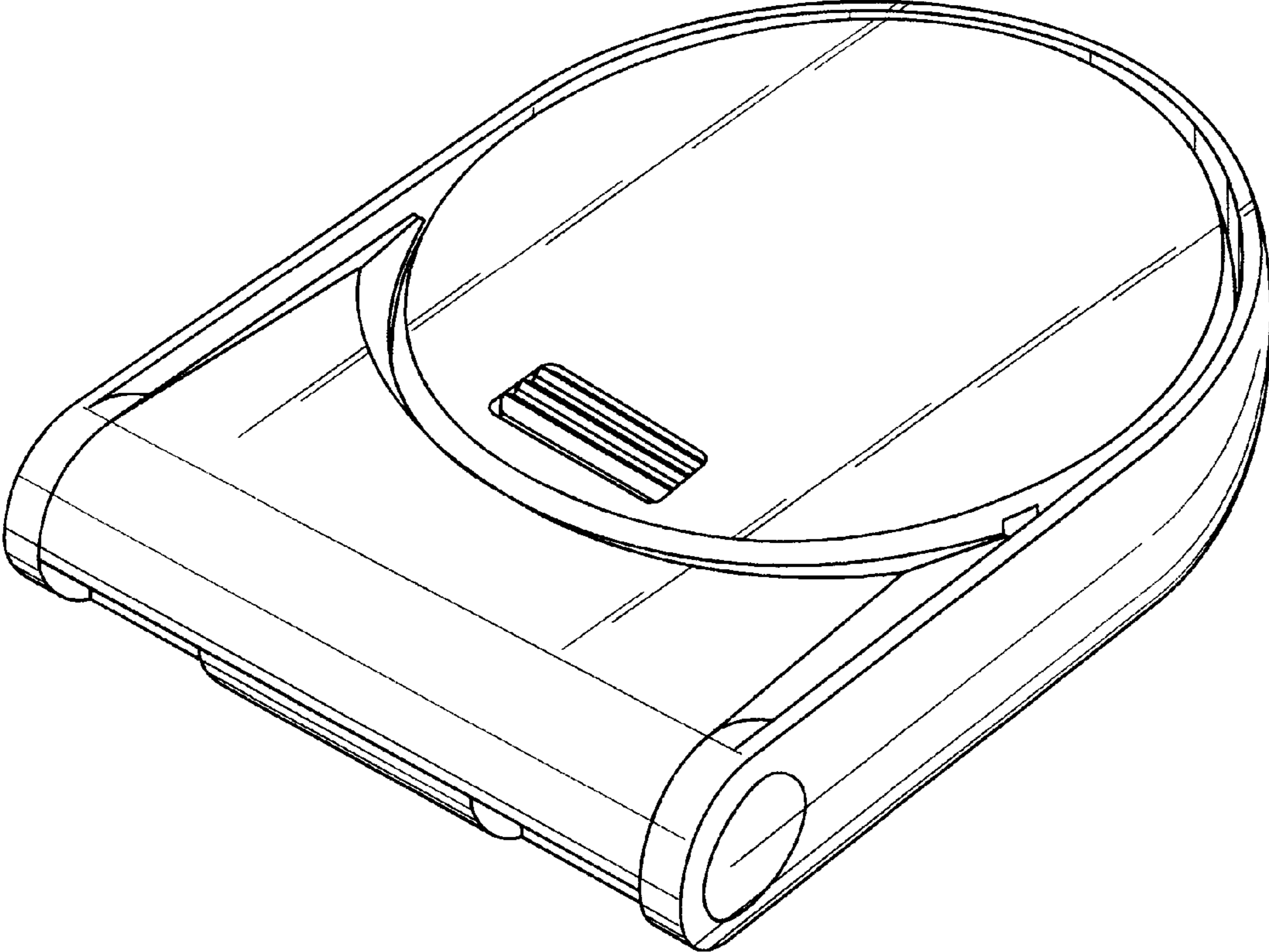


FIG. 1

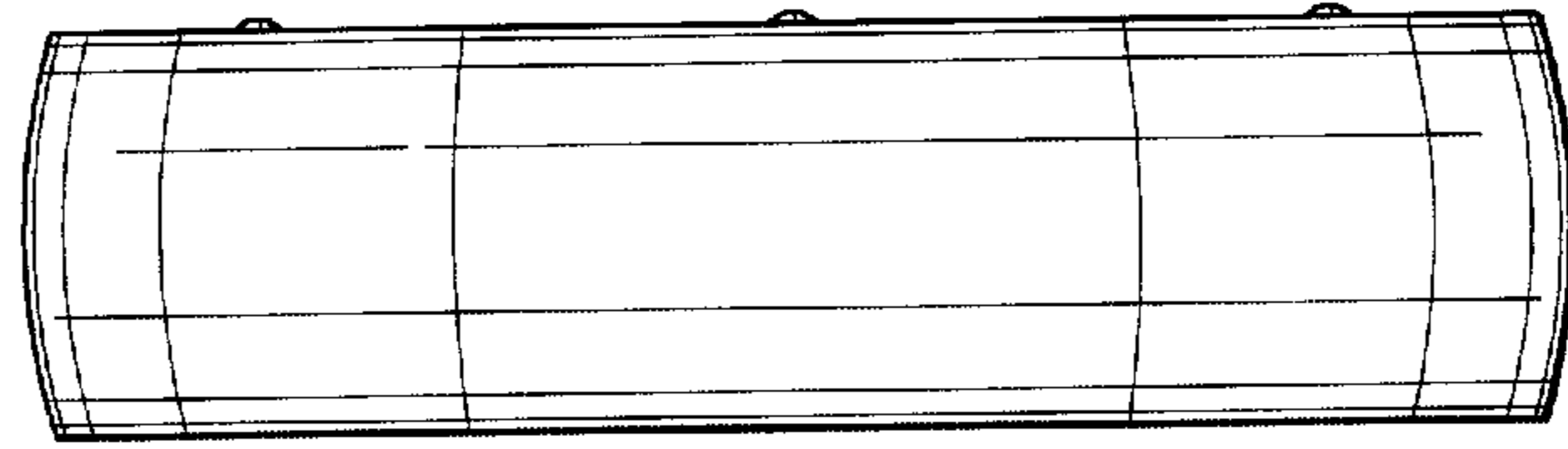


FIG. 4

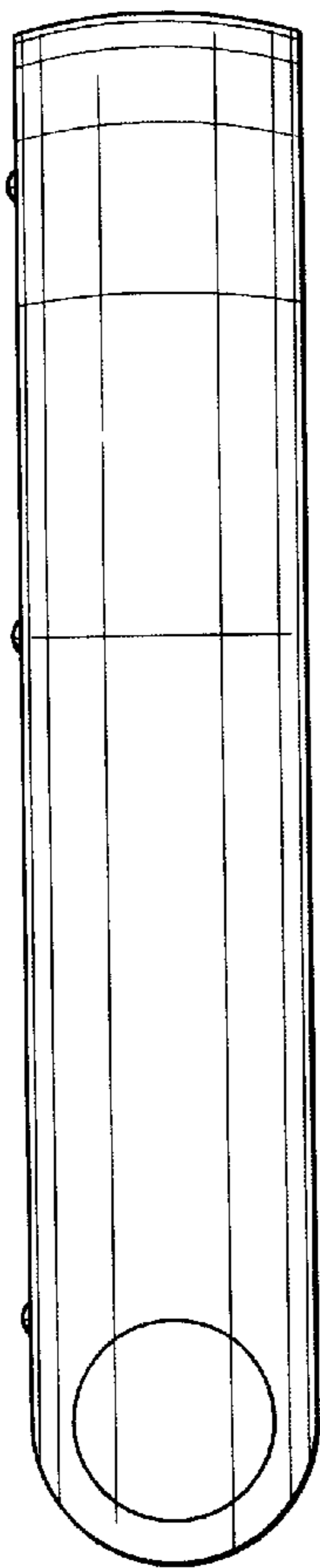


FIG. 3

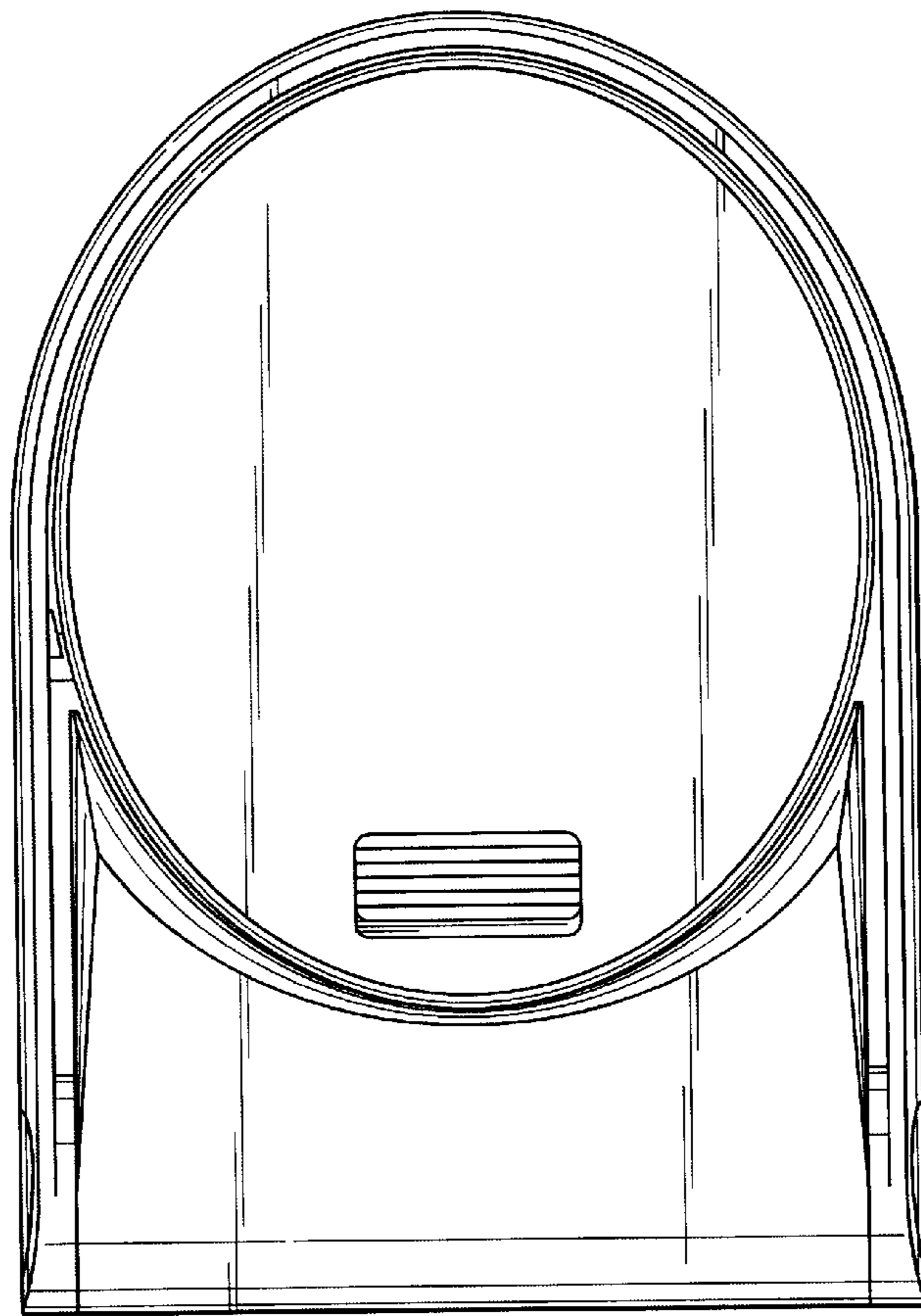


FIG. 2

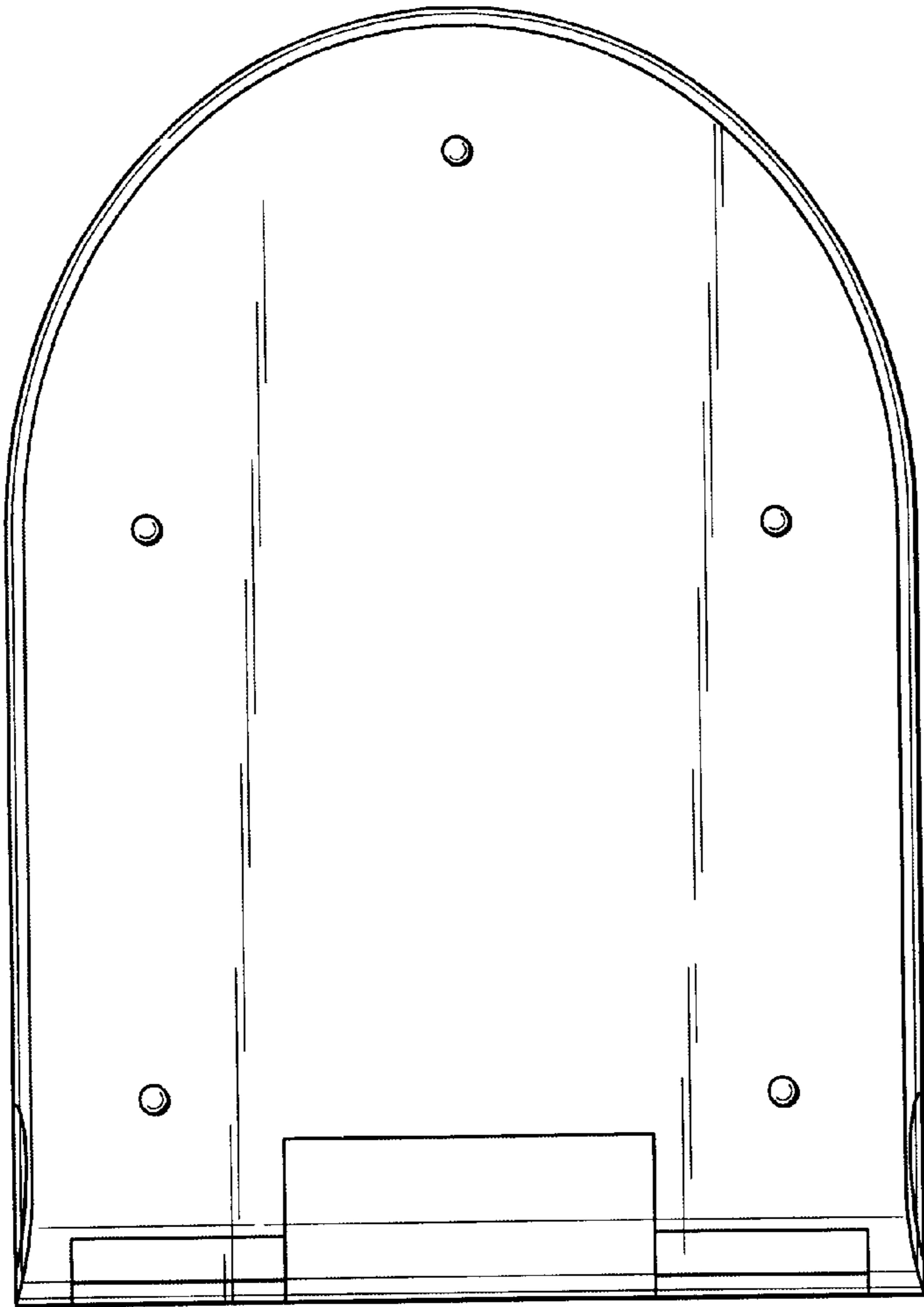


FIG. 6

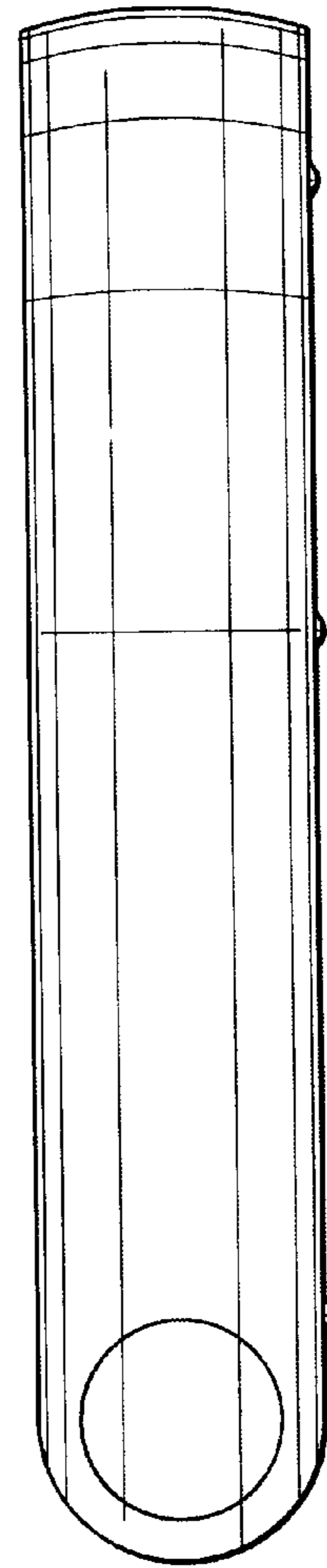


FIG. 5

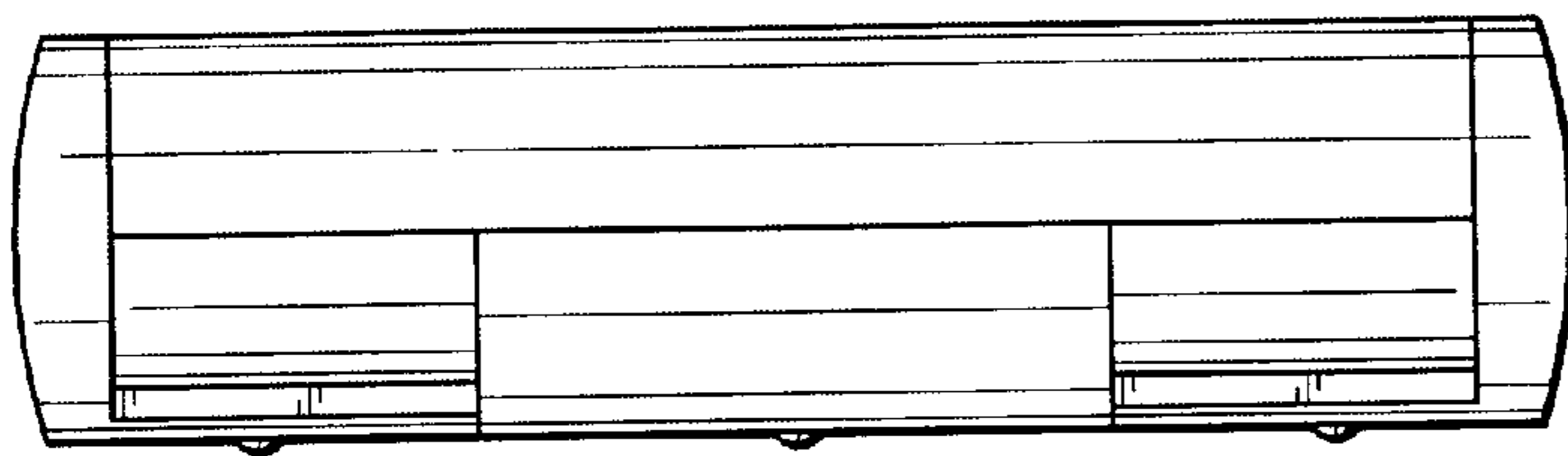


FIG. 7

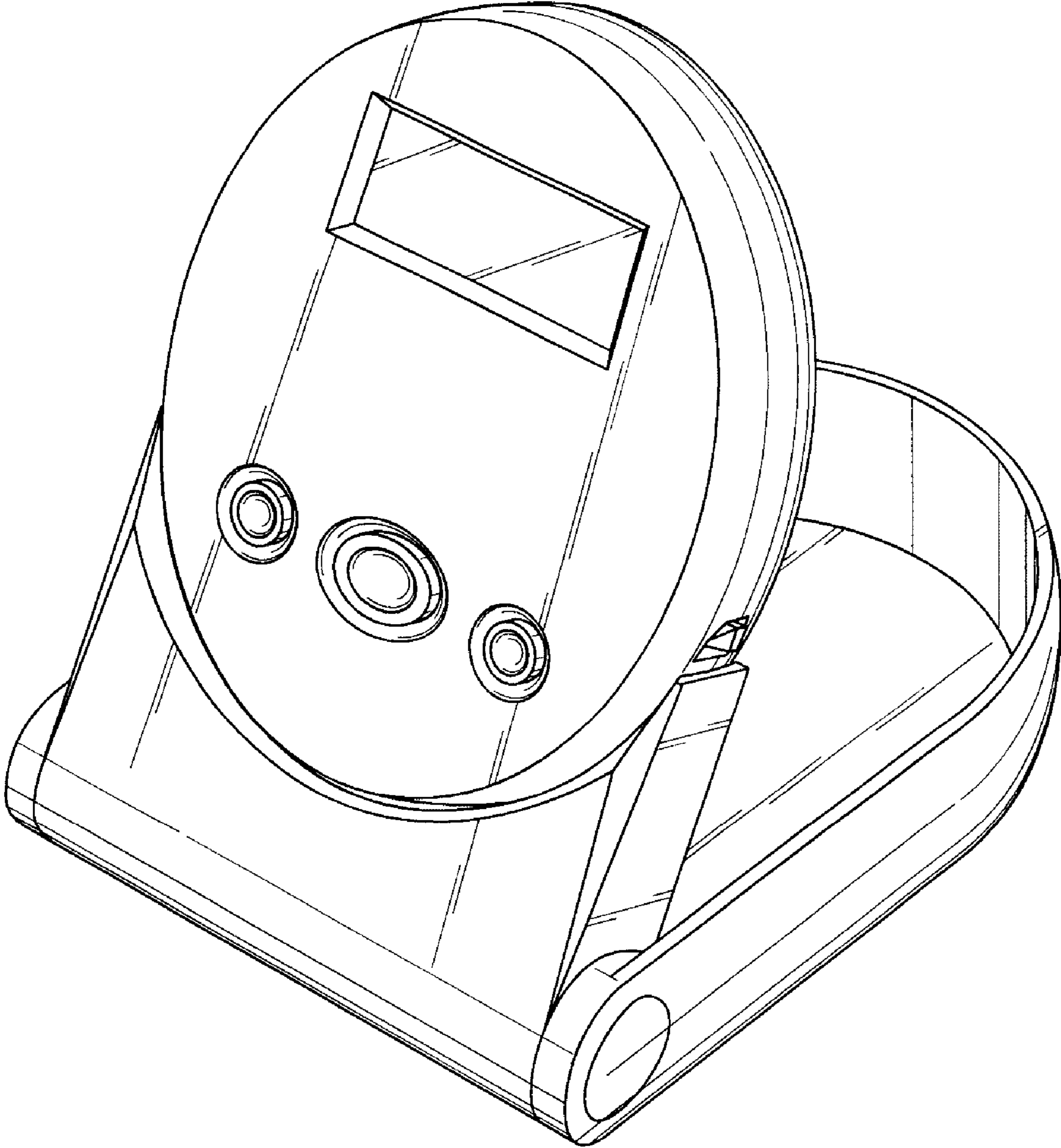


FIG. 8