



US00D512636S

(12) **United States Design Patent**
Pace

(10) **Patent No.:** **US D512,636 S**
(45) **Date of Patent:** **** Dec. 13, 2005**

(54) **CONTAINER WITH LID**
(75) Inventor: **Gregory A. Pace**, Nunnely, TN (US)
(73) Assignee: **U.S. Smokeless Tobacco Company**,
Greenwich, CT (US)
(**) Term: **14 Years**
(21) Appl. No.: **29/212,706**
(22) Filed: **Sep. 7, 2004**
(51) **LOC (6) Cl.** **09-03**
(52) **U.S. Cl.** **D9/504**
(58) **Field of Search** D9/503, 504, 529,
D9/537, 539, 549, 558, 563, 428, 435,
454, 719; 15/244.1; 132/298; D28/77, 82,
91; D27/190; 220/4.27, 212, 281, 284,
780-796; 215/317; 206/1.5, 229, 525, 823

D291,971 S 9/1987 Smith
4,765,501 A 8/1988 Kao
D303,584 S 9/1989 Bakic
4,866,952 A 9/1989 Hight et al.
5,246,133 A 9/1993 James
D352,896 S * 11/1994 Jones D9/428
5,377,860 A 1/1995 Littlejohn et al.
5,427,266 A 6/1995 Yun
5,632,971 A 5/1997 Yang
5,660,303 A 8/1997 Hirose
5,752,599 A 5/1998 Veltman
5,769,267 A 6/1998 Duynslager et al.
5,791,473 A 8/1998 Decker et al.
5,794,814 A 8/1998 Baerenwald
5,806,710 A 9/1998 Shiffer et al.

(Continued)

Primary Examiner—Nanda Bondade
Assistant Examiner—Shanda C. Hill
(74) *Attorney, Agent, or Firm*—Fitch, Even, Tabin &
Flannery

(56) **References Cited**
U.S. PATENT DOCUMENTS

216,831 A 6/1879 Collings
411,773 A 10/1889 Atkinson
D28,413 S 3/1898 Taite
660,739 A 10/1900 Taylor
663,415 A 12/1900 Charles
1,214,899 A 2/1917 Curran
1,616,381 A * 2/1927 MacDougall 132/298
1,975,703 A 10/1934 Vitale
2,047,951 A 7/1936 Eberhart
2,493,086 A 1/1950 Reifsnnyder
2,789,607 A 4/1957 Tupper
D184,789 S 3/1959 Zehntner et al.
2,878,848 A 3/1959 Coltman, Jr.
3,122,990 A 3/1964 Fried
3,206,016 A 9/1965 Fowle et al.
4,098,421 A 7/1978 Foster
4,124,135 A 11/1978 Weder et al.
4,165,815 A * 8/1979 Vetter 220/4.27
4,190,170 A 2/1980 Boyd
D273,766 S 5/1984 Lampe
D281,764 S 12/1985 Legrottaglie
4,646,933 A 3/1987 Jurczenia et al.

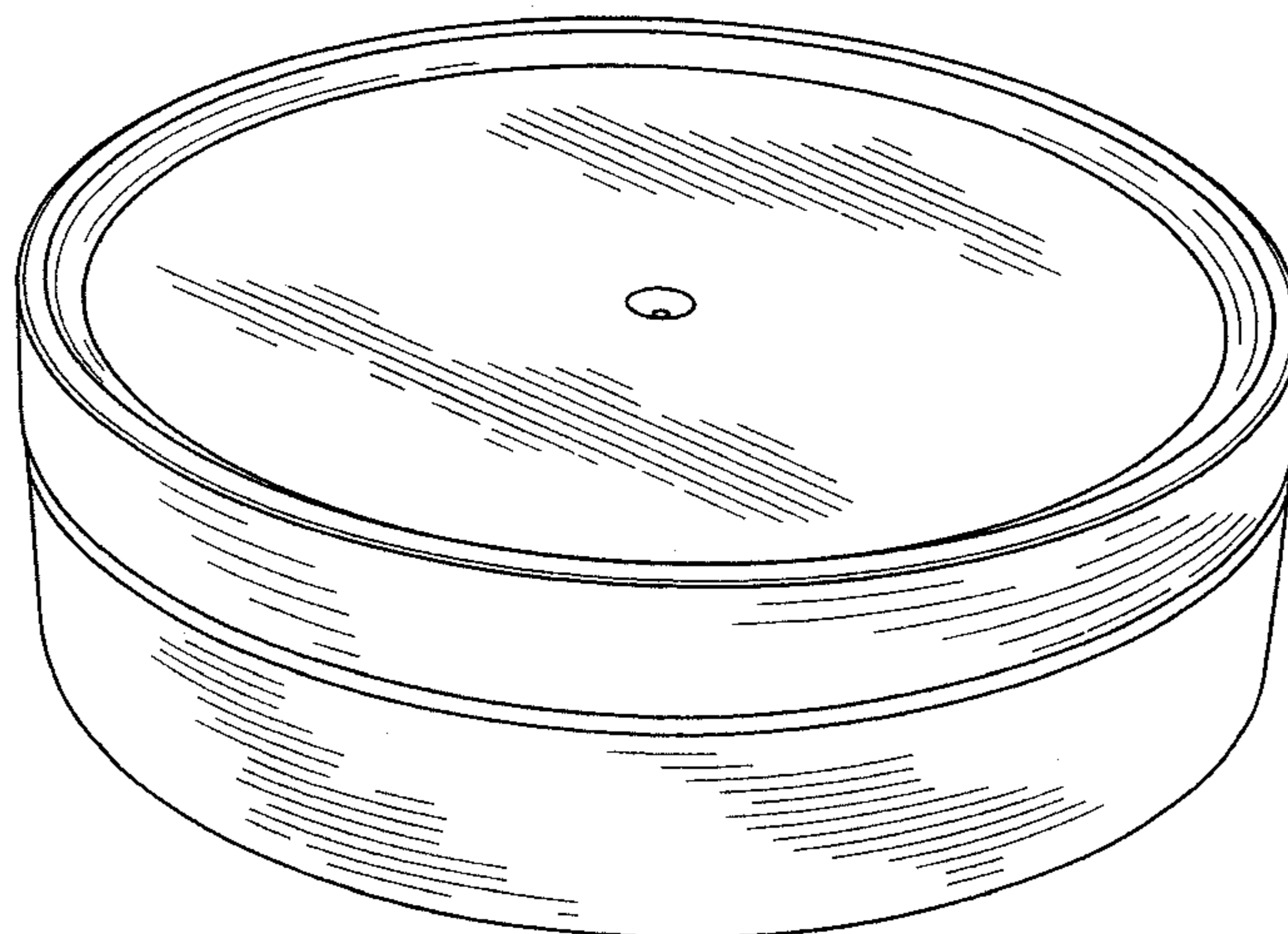
(57) **CLAIM**

I claim the ornamental design for a container with lid, as shown and described.

DESCRIPTION

FIG. 1 is a perspective view of a container with lid showing our new design;
FIG. 2 is a front elevational view thereof, the rear, left and right views being identical thereto;
FIG. 3 is a top plan view thereof;
FIG. 4 is a bottom plan view thereof;
FIG. 5 is an exploded perspective thereof;
FIG. 6 is an exploded perspective view of another embodiment of the container with lid;
FIG. 7 is a top plan view of the of FIG. 1 with the lid removed; and,
FIG. 8 is a bottom plan view of the lid of the container of FIG. 1.
FIGS. 1, 5 and 6 are on a reduced scale.

1 Claim, 7 Drawing Sheets



US D512,636 S

Page 2

U.S. PATENT DOCUMENTS

D400,787 S	11/1998	Keener		6,119,890 A	9/2000	Kawamata	
5,833,088 A	11/1998	Kladders et al.		D431,458 S	10/2000	Bried et al.	
D403,470 S	* 12/1998	Litton et al.	D28/82	6,158,607 A	12/2000	Wallberg	
5,894,952 A	4/1999	Mendenhall et al.		6,164,484 A	12/2000	Fiore et al.	
5,894,953 A	4/1999	Ramirez		D476,233 S	6/2003	Versace	
5,960,985 A	10/1999	Barrett		D494,474 S	* 8/2004	Houk et al.	D9/504
6,015,061 A	1/2000	Lowry		D498,678 S	* 11/2004	Ames	D9/529
H1855 H	* 8/2000	Litton et al.	D28/82				

* cited by examiner

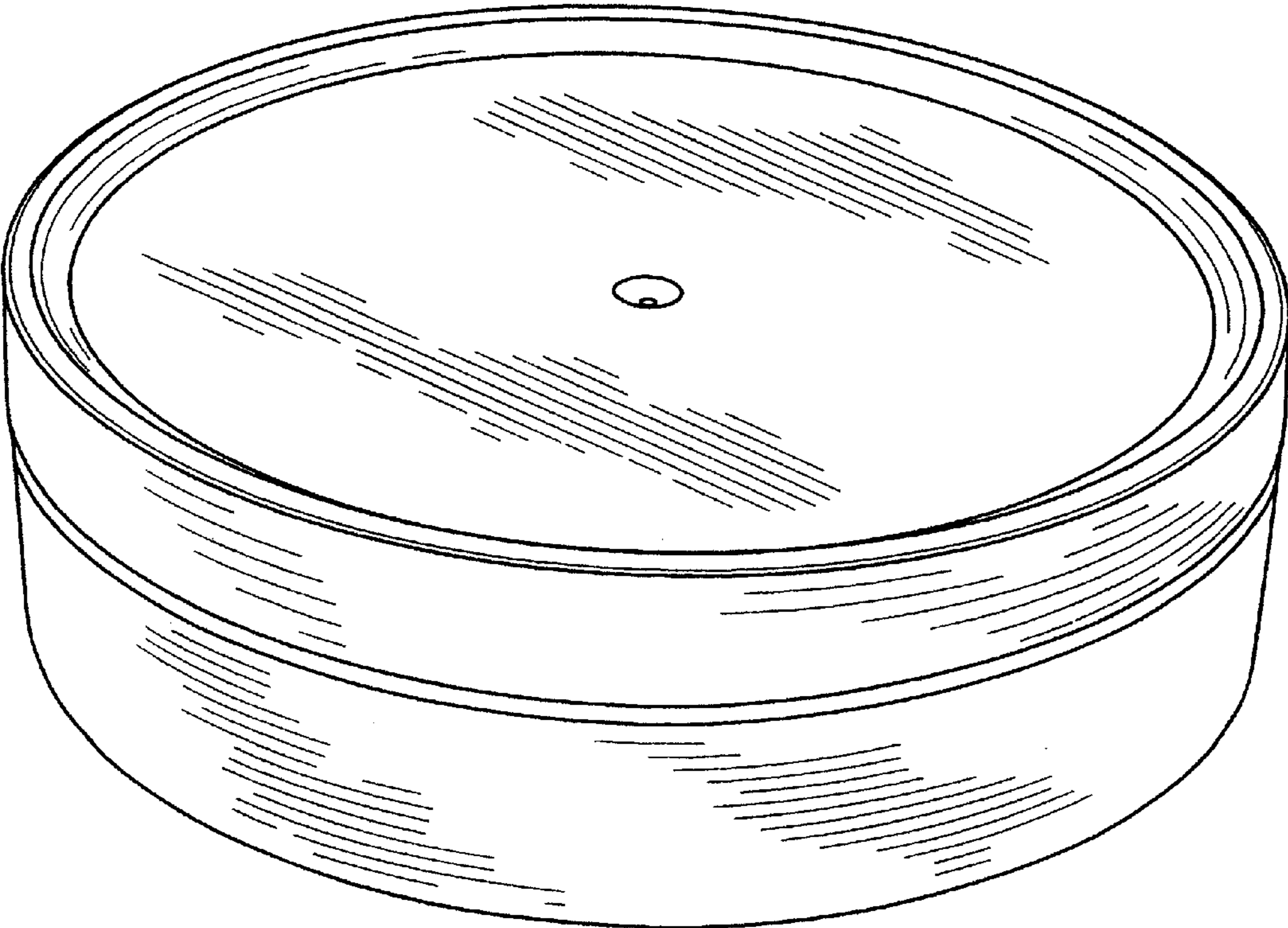


FIG. 1

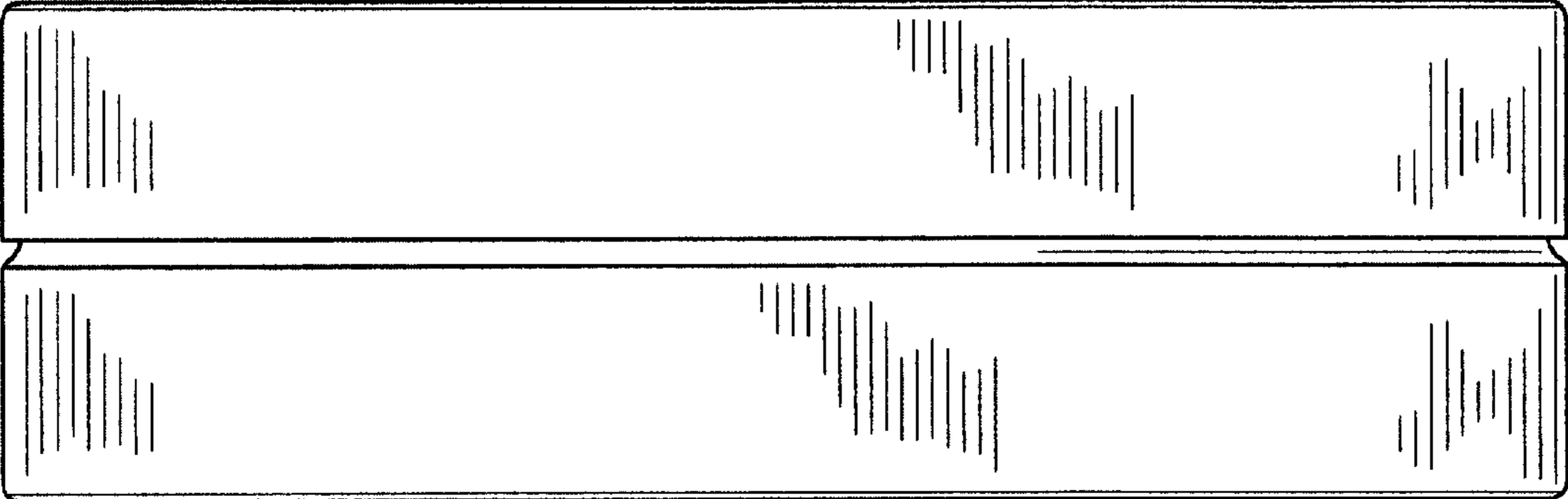


FIG. 2

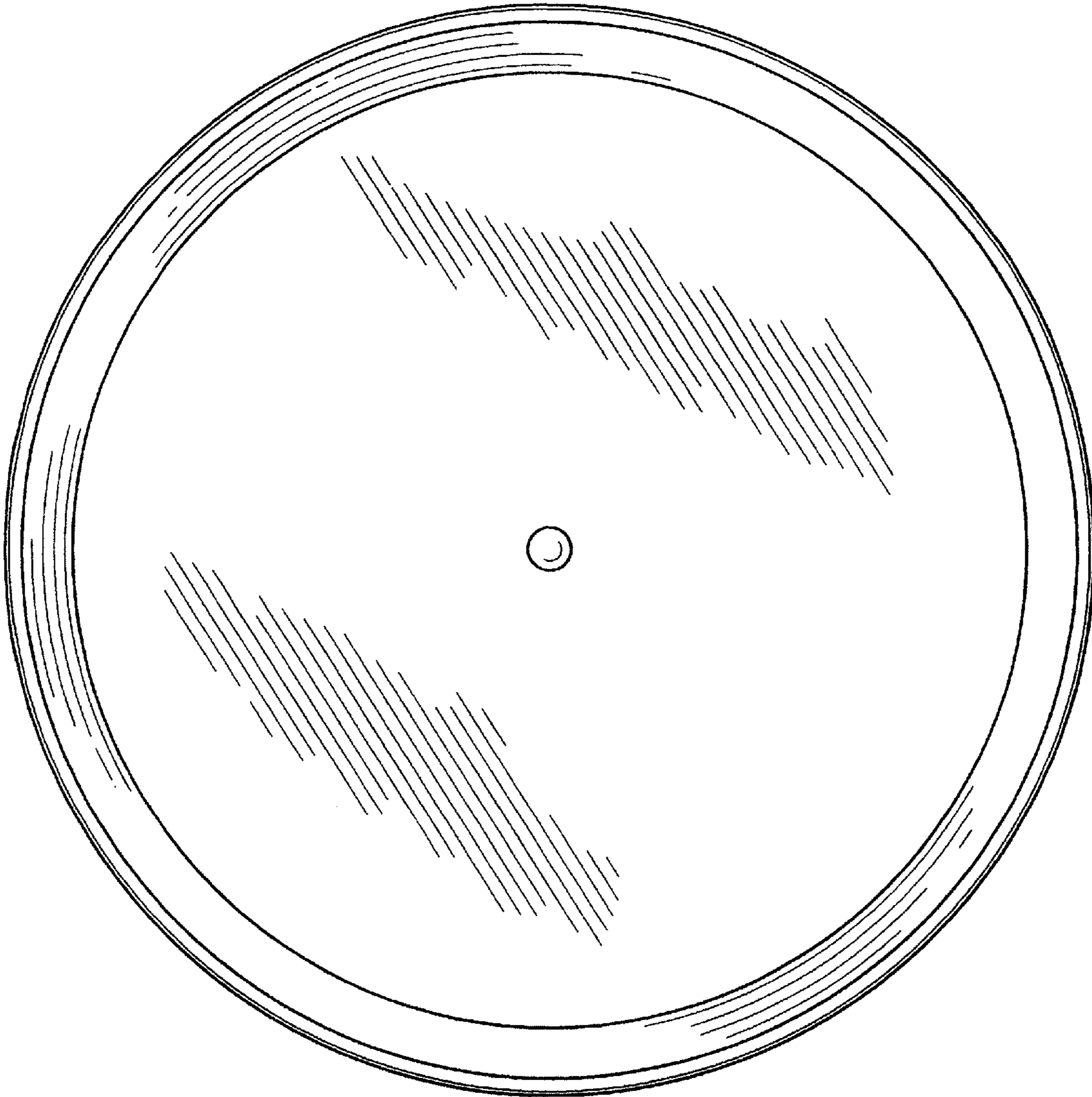


FIG. 3



FIG. 4

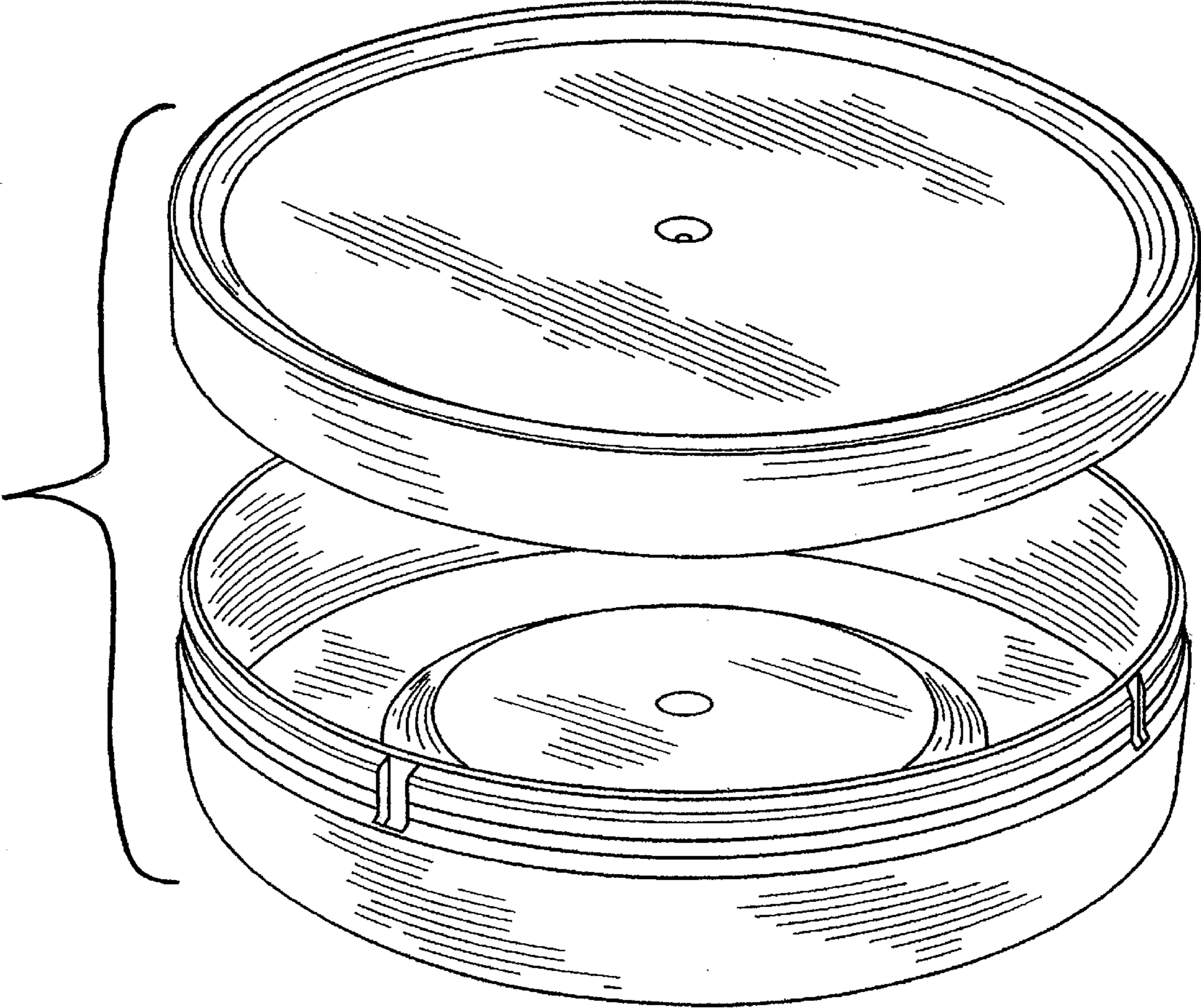


FIG. 5

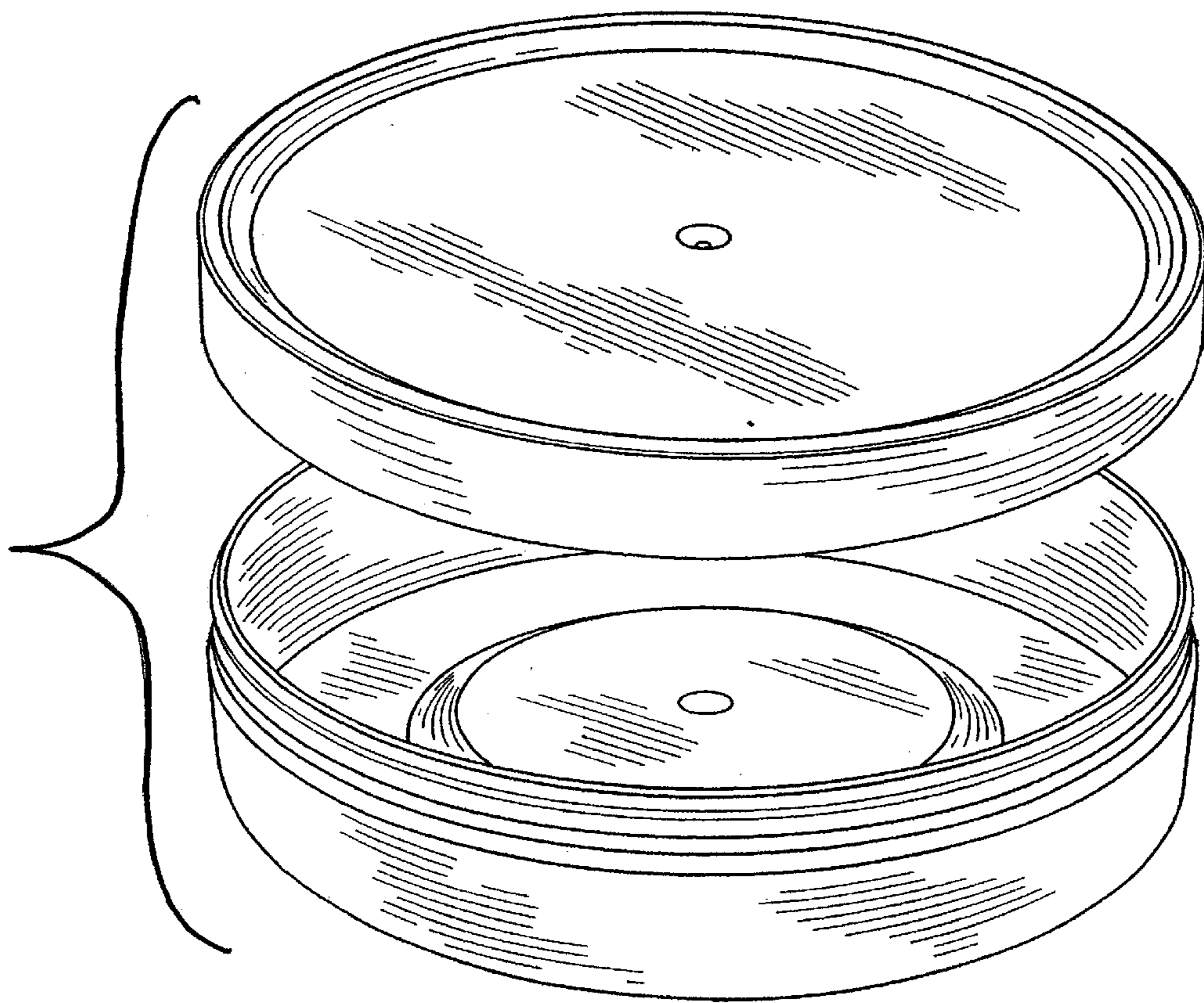


FIG. 6



FIG. 7

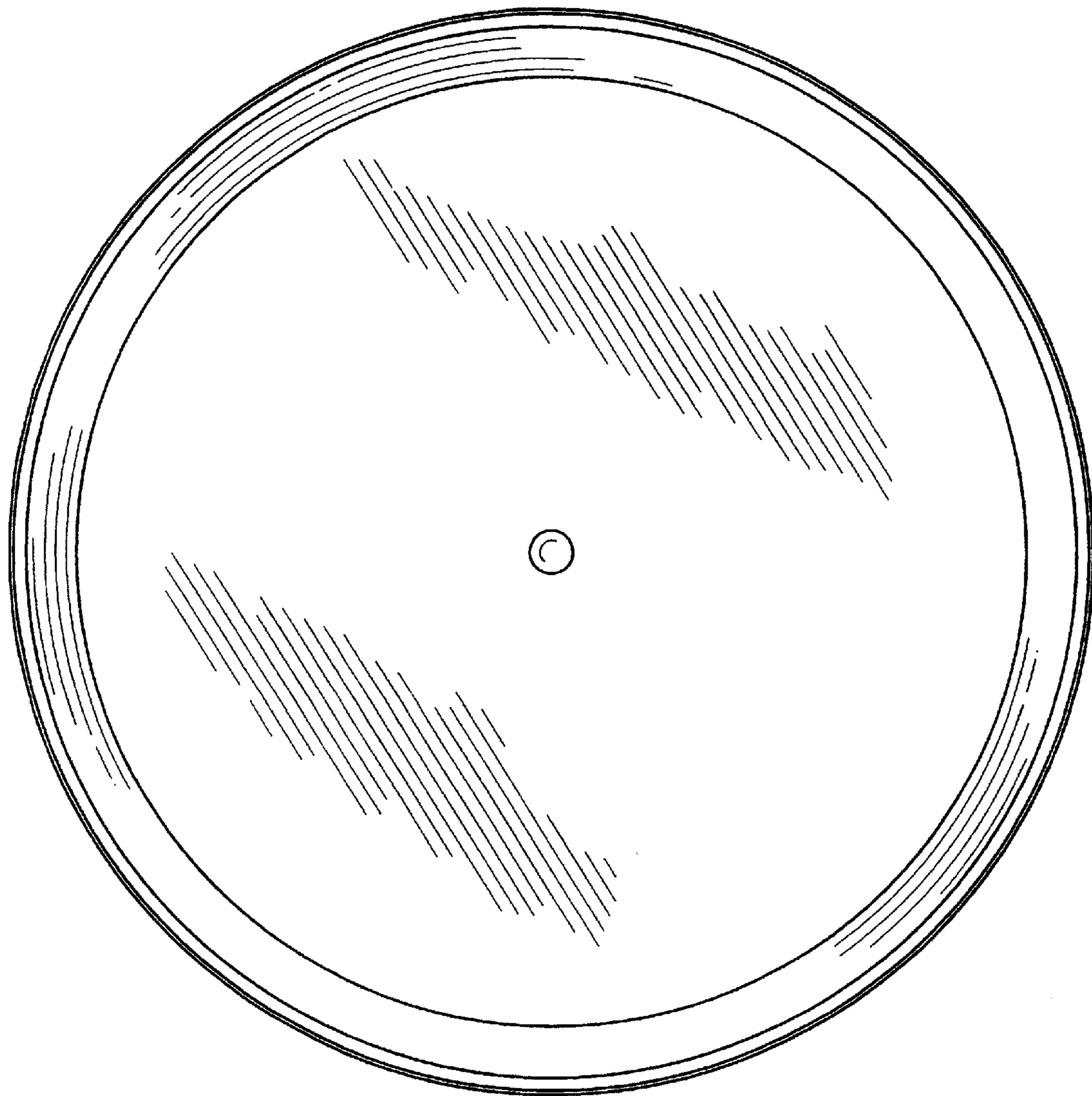


FIG. 8