



US00D512633S

(12) **United States Design Patent** (10) **Patent No.:** **US D512,633 S**
Sambrailo et al. (45) **Date of Patent:** **** *Dec. 13, 2005**

(54) **VENTILATION SLOT FOR A PACKAGING CONTAINER**

4,738,817 A * 4/1988 Wittwer et al. 264/328.14
5,167,325 A * 12/1992 Sykora 206/143
5,823,387 A * 10/1998 Manadanas et al. 222/1

(75) Inventors: **Mark Sambrailo**, Watsonville, CA (US); **Anthony Cadiente**, Salinas, CA (US); **William Sambrailo**, Aptos, CA (US)

* cited by examiner

Primary Examiner—Robert M. Spear
Assistant Examiner—Susan Bennett Hattan

(73) Assignee: **Sambrailo Packaging, Inc.**, Watsonville, CA (US)

(74) *Attorney, Agent, or Firm*—Beyer Weaver & Thomas, LLP

(*) Notice: This patent is subject to a terminal disclaimer.

(57) **CLAIM**

We claim the ornamental design for a ventilation slot for a packaging container, substantially as shown and described.

(**) Term: **14 Years**

DESCRIPTION

(21) Appl. No.: **29/180,973**

FIG. 1 is a perspective view of a closed packaging container (depicted in the dashed lines) that includes ventilation slots of the claimed design.

(22) Filed: **May 2, 2003**

FIG. 2 is a left side view of a closed packaging container (depicted in the dashed lines) that depicts a ventilation slot of the claimed design.

Related U.S. Application Data

(63) Continuation of application No. 10/017,893, filed on Dec. 12, 2001, which is a continuation-in-part of application No. 09/590,631, filed on Jun. 8, 2000, now abandoned, which is a continuation of application No. 09/060,453, filed on Apr. 14, 1998, now Pat. No. 6,074,676, which is a continuation of application No. 08/591,000, filed on Jan. 24, 1996, now Pat. No. 5,738,890.

FIG. 3 is a right side view of a closed packaging container (depicted in the dashed lines) that depicts a ventilation slot of the claimed design.

(51) **LOC (6) Cl.** **09-07**

(52) **U.S. Cl.** **D9/434**

(58) **Field of Search** 206/175, 176, 206/143; 264/328.14; 222/1; D10/64; D9/434

FIG. 4 is a front side view of a closed packaging container (depicted in the dashed lines) that depicts a ventilation slot of the claimed design.

(56) **References Cited**

U.S. PATENT DOCUMENTS

D136,655 S * 11/1943 Eilert D10/64
2,653,750 A * 9/1953 Vines 206/175
D204,017 S * 3/1966 Goldman D10/64
D221,993 S * 9/1971 Crawford D10/64
4,362,240 A * 12/1982 Elward 206/176

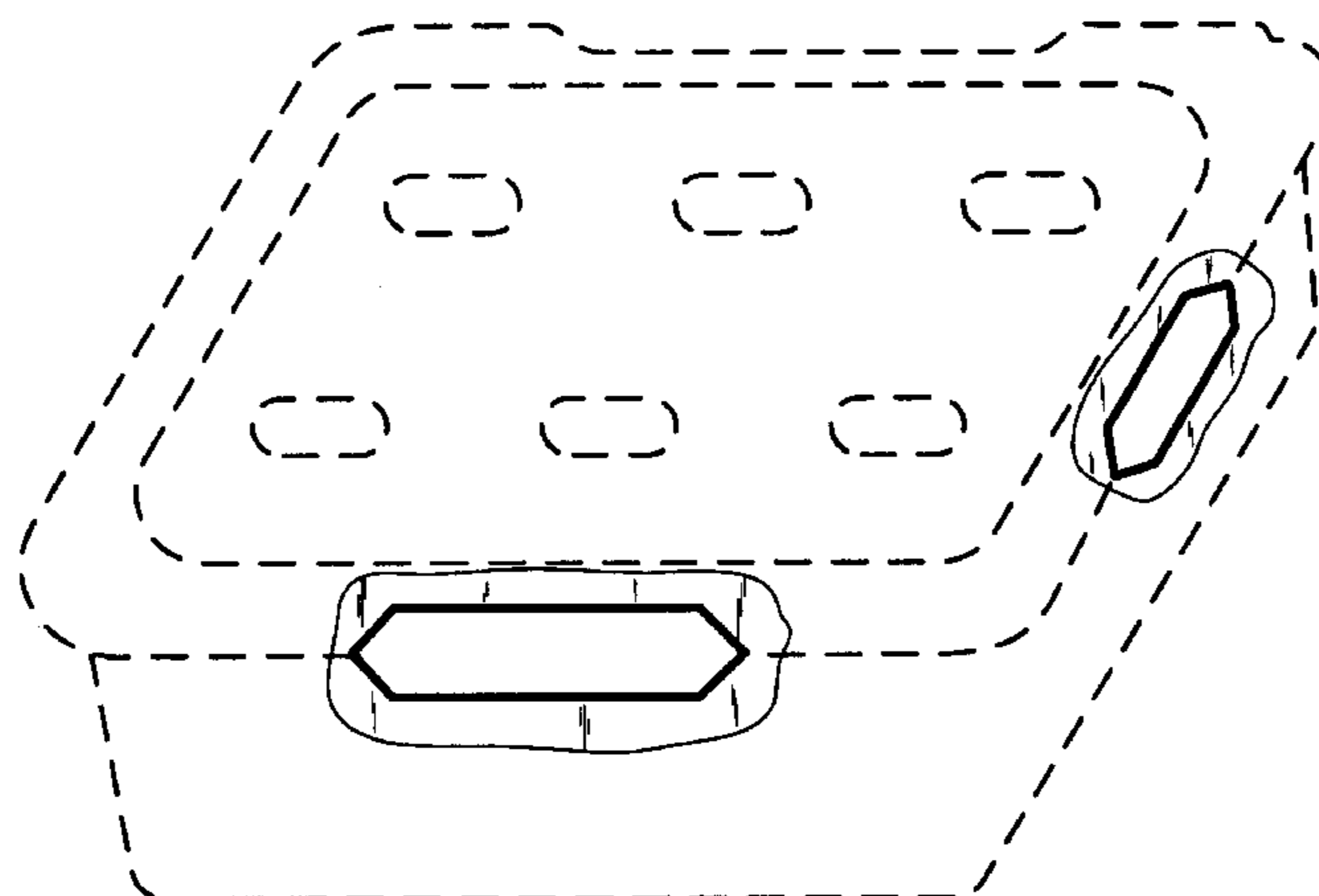
FIG. 5 is a front side view of a closed packaging container (depicted in the dashed lines) that depicts another embodiment of ventilation slots of the claimed design; and,

FIG. 6 is a front side view of a closed packaging container (depicted in the dashed lines) that depicts another embodiment of ventilation slots of the claimed design.

The broken line showing the closed packaging container is for illustrative purposes only and forms no part of the claimed design.

The solid line depicting the outer boundary of the claimed portion of the design forms no part of the claim.

1 Claim, 3 Drawing Sheets



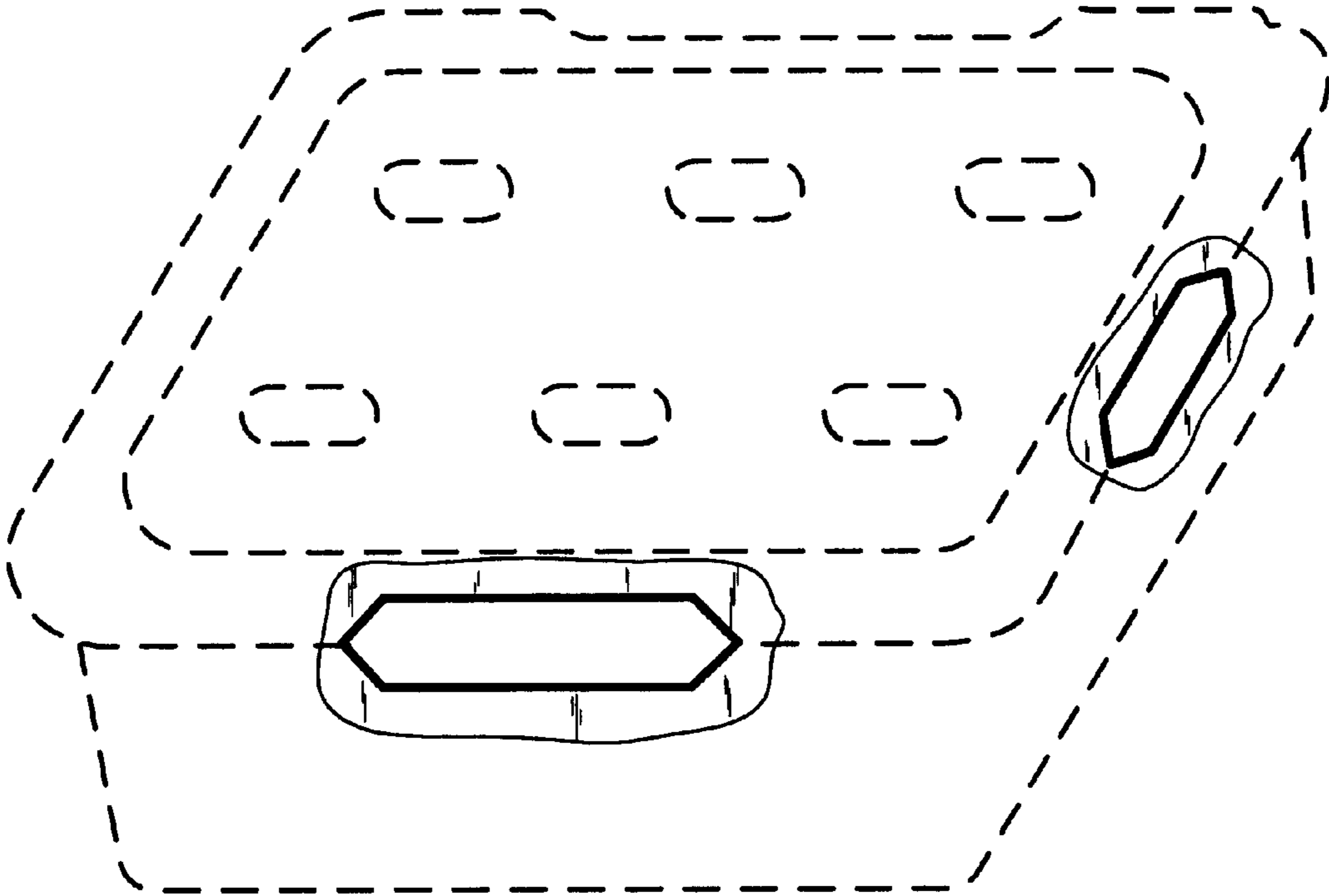


Fig. 1

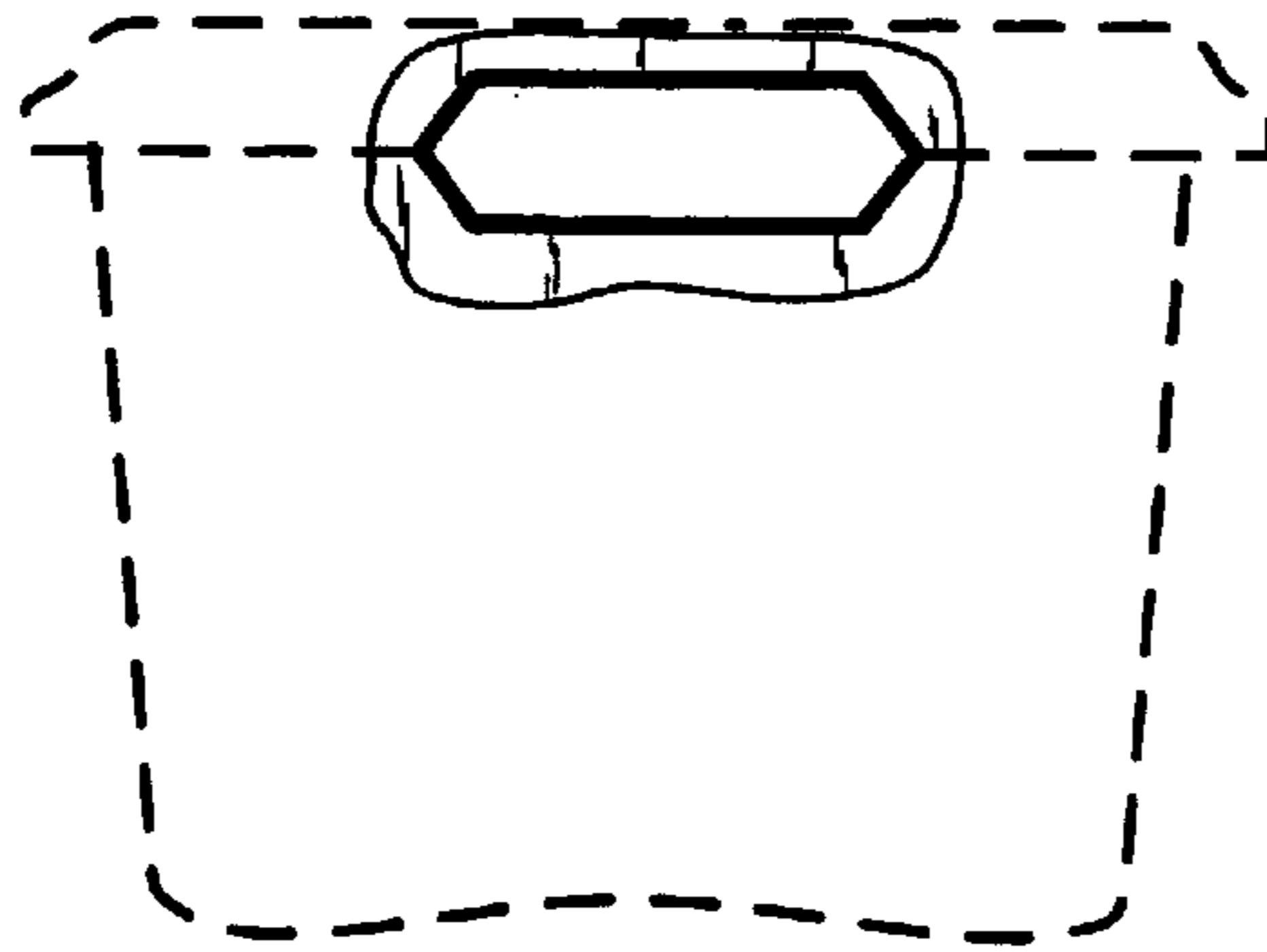


Fig. 2

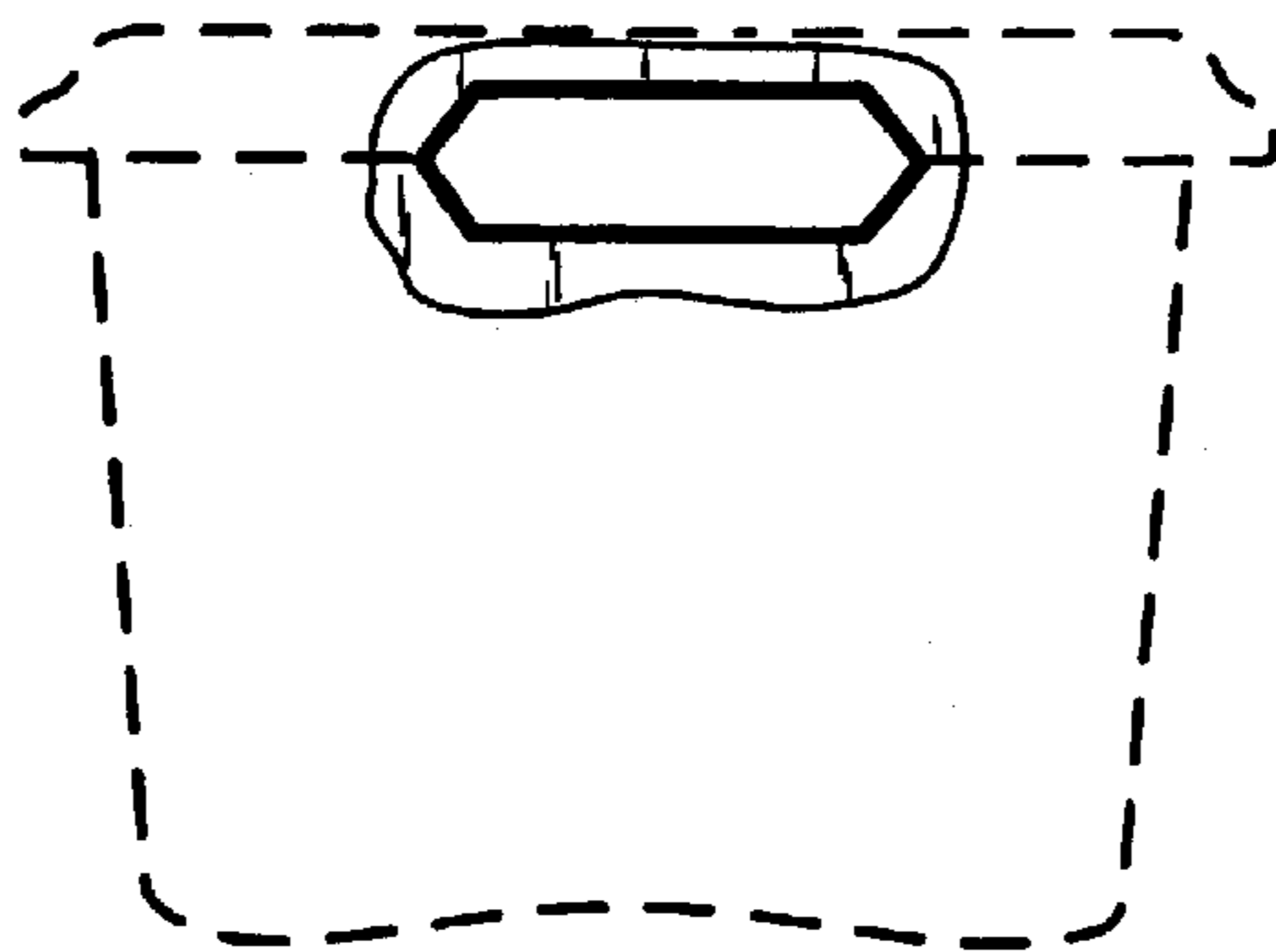


Fig. 3

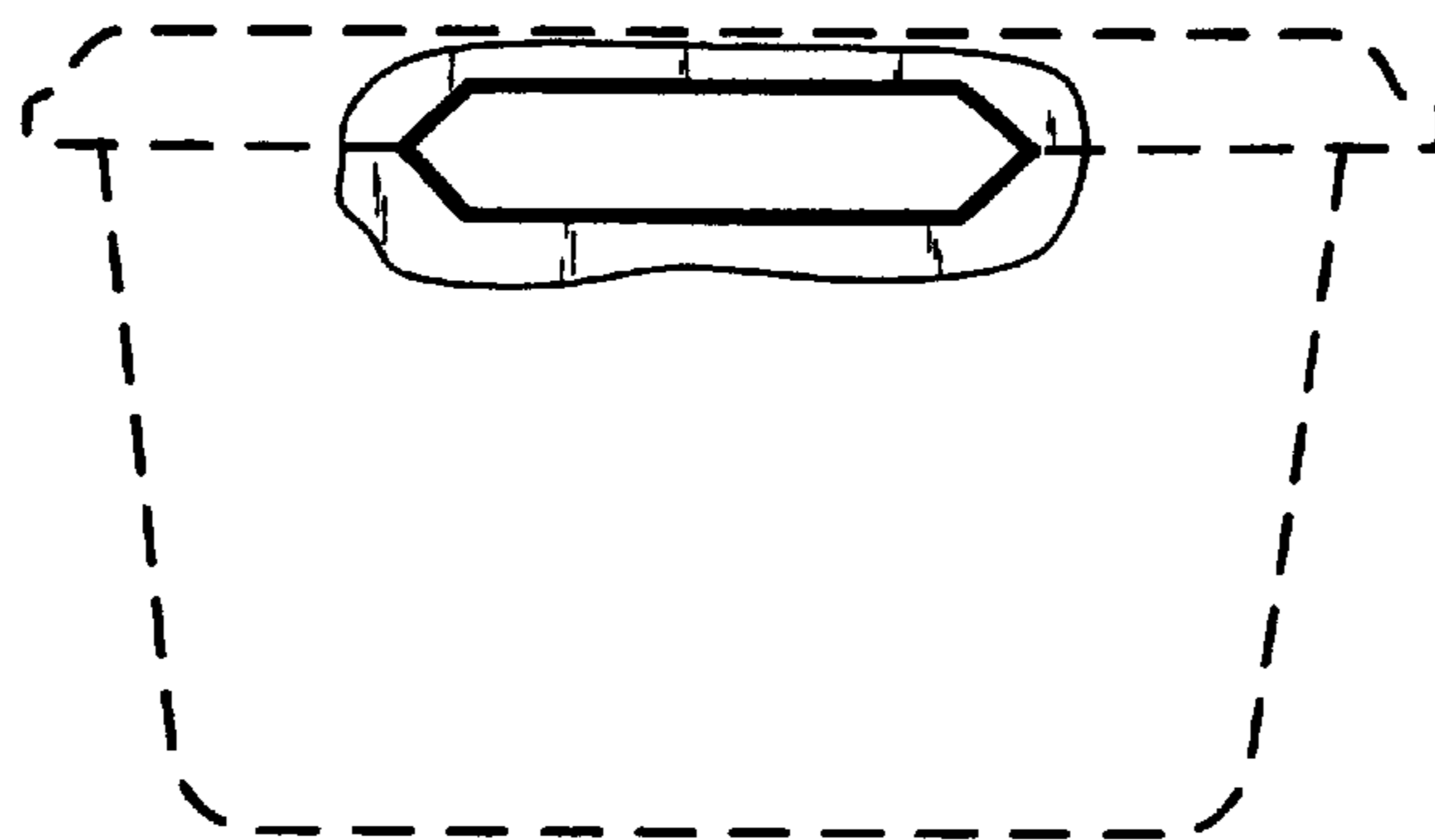


Fig. 4

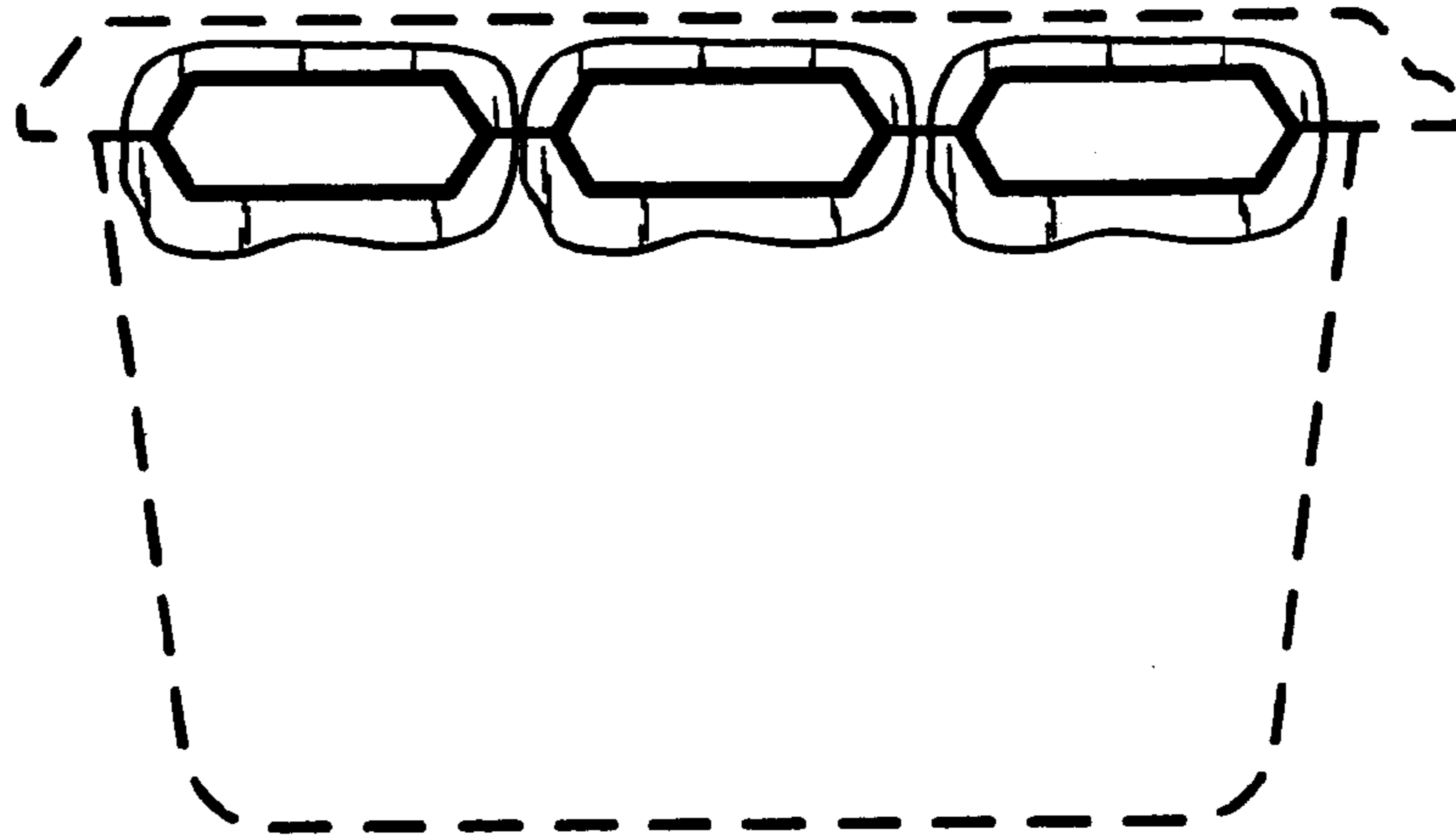


Fig. 5

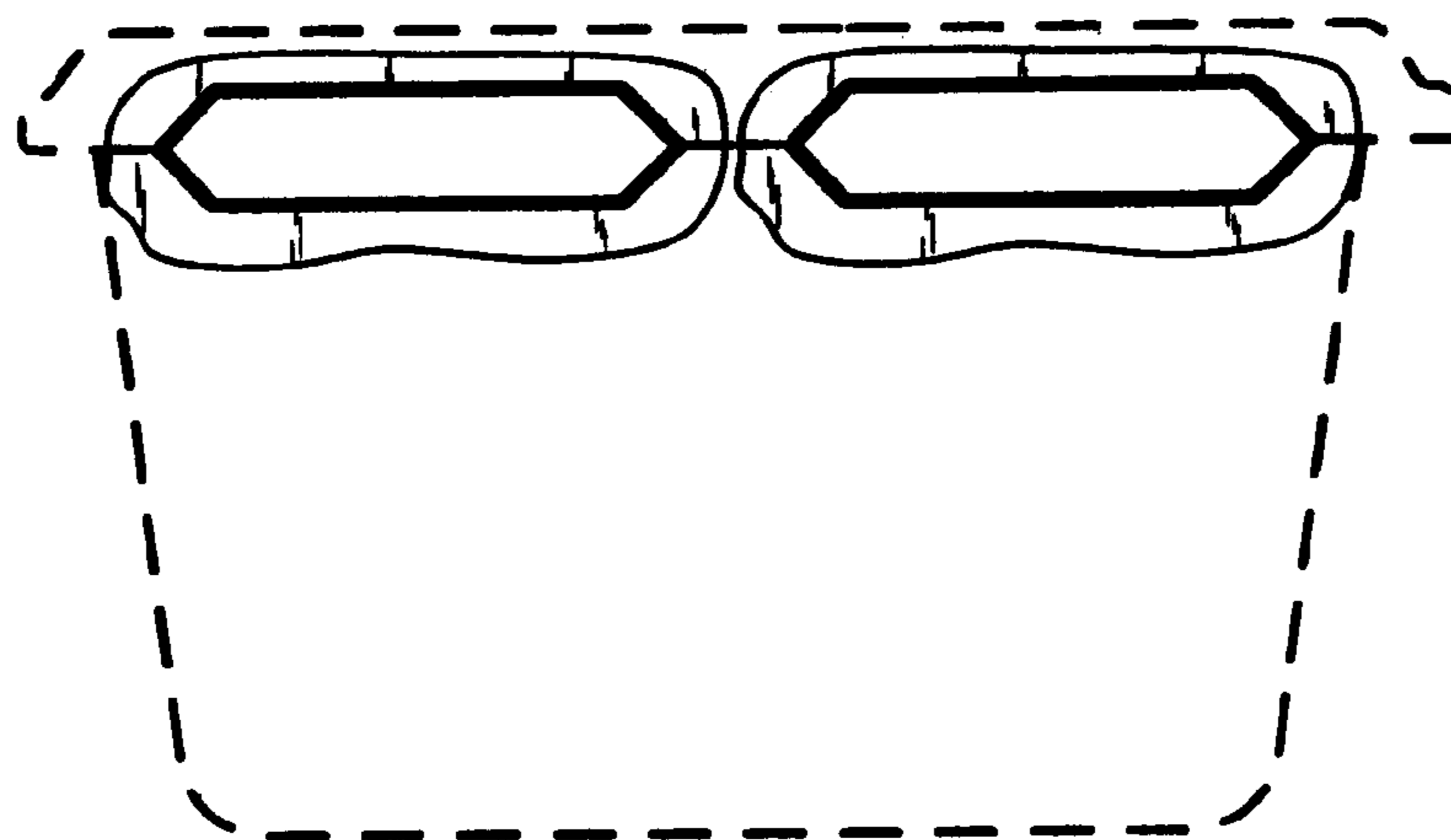


Fig. 6