



US00D512631S

(12) **United States Design Patent**
Lhoste et al.

(10) **Patent No.: US D512,631 S**
(45) **Date of Patent: ** Dec. 13, 2005**

- (54) **JAR**
- (75) Inventors: **Jean-Francois Lhoste**, 3 Impasse des Tilleuls, Le Coudray 28630 (FR);
Marielle De La Torre, 4D East View House Grovehill Road, Beverley East Yorkshire HU17 OHN (GB)
- (73) Assignees: **Marielle De La Torre**, Slough (GB);
Jean-Francois Lhoste, Slough (GB)

3,670,922 A	*	6/1972	Phillips	206/519
4,972,963 A	*	11/1990	Guarriello et al.	220/659
D313,556 S	*	1/1991	Smith	D9/425
5,203,836 A	*	4/1993	Brazis et al.	206/507
5,323,928 A	*	6/1994	Stevens	220/703
D351,790 S	*	10/1994	Haindl	D9/425
D369,971 S	*	5/1996	Brauner et al.	D9/428
5,782,376 A	*	7/1998	Brauner et al.	220/669
D453,108 S	*	1/2002	Gasco	D9/429
D467,800 S	*	12/2002	Chen et al.	D9/429

(**) Term: **14 Years**

* cited by examiner

(21) Appl. No.: **29/209,930**

Primary Examiner—Prabhakar Deshmukh

(22) Filed: **Jul. 23, 2004**

(74) *Attorney, Agent, or Firm*—Norris McLaughlin & Marcus, PA

(30) **Foreign Application Priority Data**

Feb. 5, 2004 (EM) 000132766

(51) **LOC (6) Cl.** **09-07**

(52) **U.S. Cl.** **D9/428; D9/425; D9/424;**
D9/516; D9/500; D9/519

(58) **Field of Search** D9/428, 429, 424,
D9/425, 414, 456, 500, 504, 516, 519,
738; D7/550.1, 560, 566, 584; 206/499,
503, 512, 485.1; 220/657, 659, 669, 674,
675, 645; 229/4.5, 5.5, 93, 406, 407, 400,
123.1, 210, 203, 238, 247, 245

(56) **References Cited**

U.S. PATENT DOCUMENTS

2,573,736 A * 11/1951 Scavullo 228/164

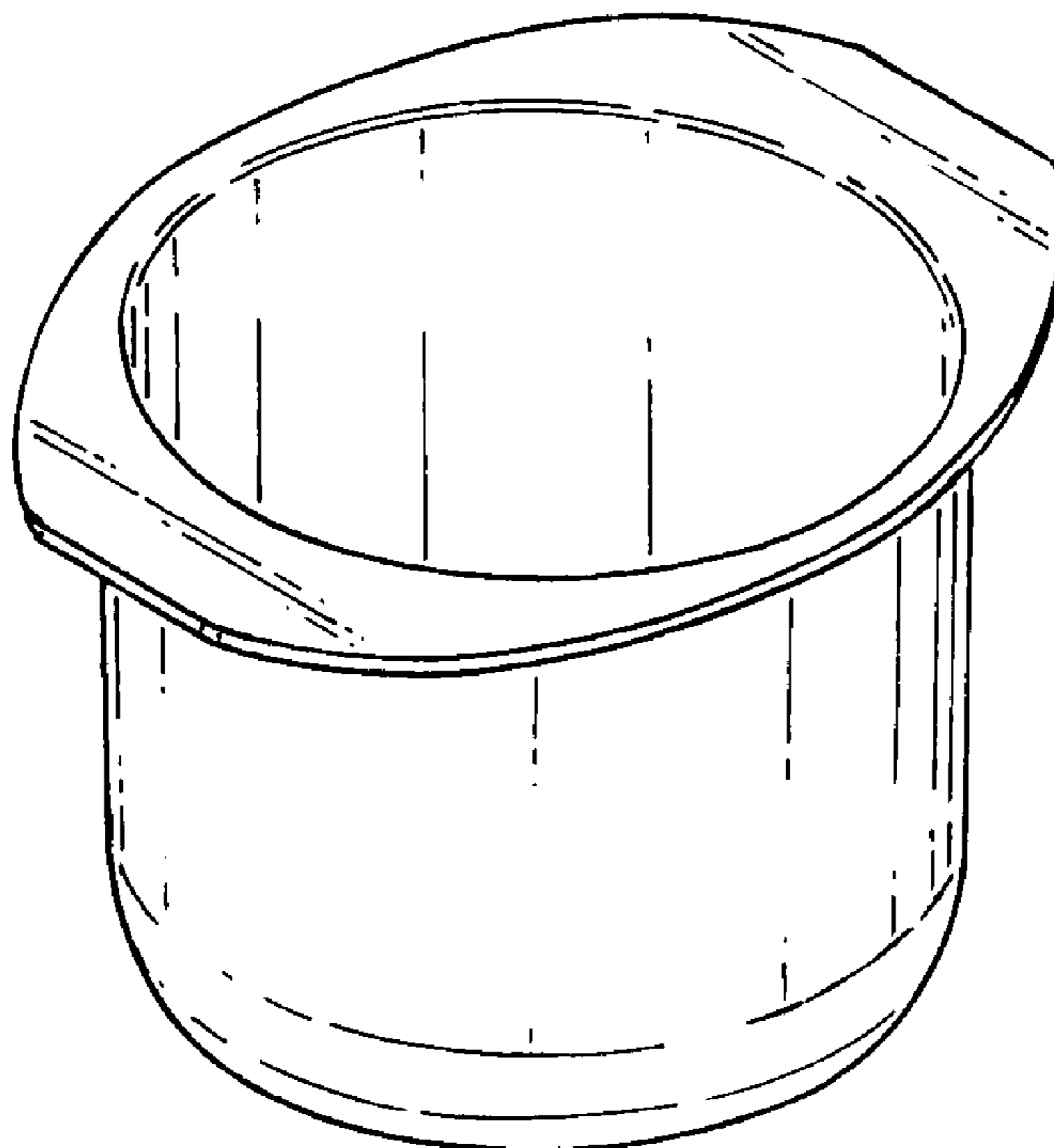
(57) **CLAIM**

The ornamental design for a jar, as shown and described.

DESCRIPTION

FIG. 1 is a perspective view of a jar showing our new design;
FIG. 2 is a side elevational view thereof;
FIG. 3 is a further side elevational thereof;
FIG. 4 is a top plan view thereof; and,
FIG. 5 is a bottom plan view thereof.

1 Claim, 1 Drawing Sheet



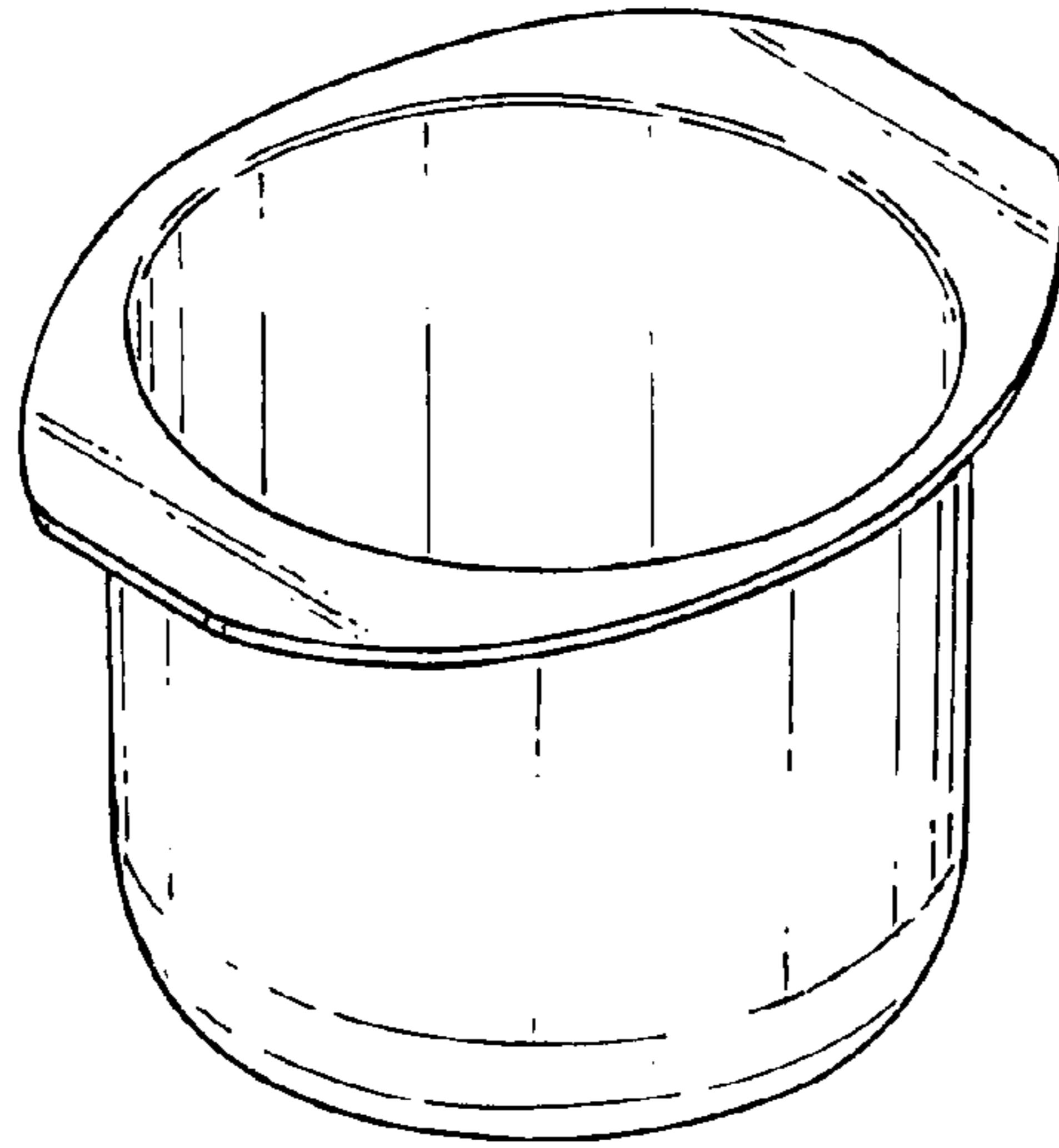


Fig.1.

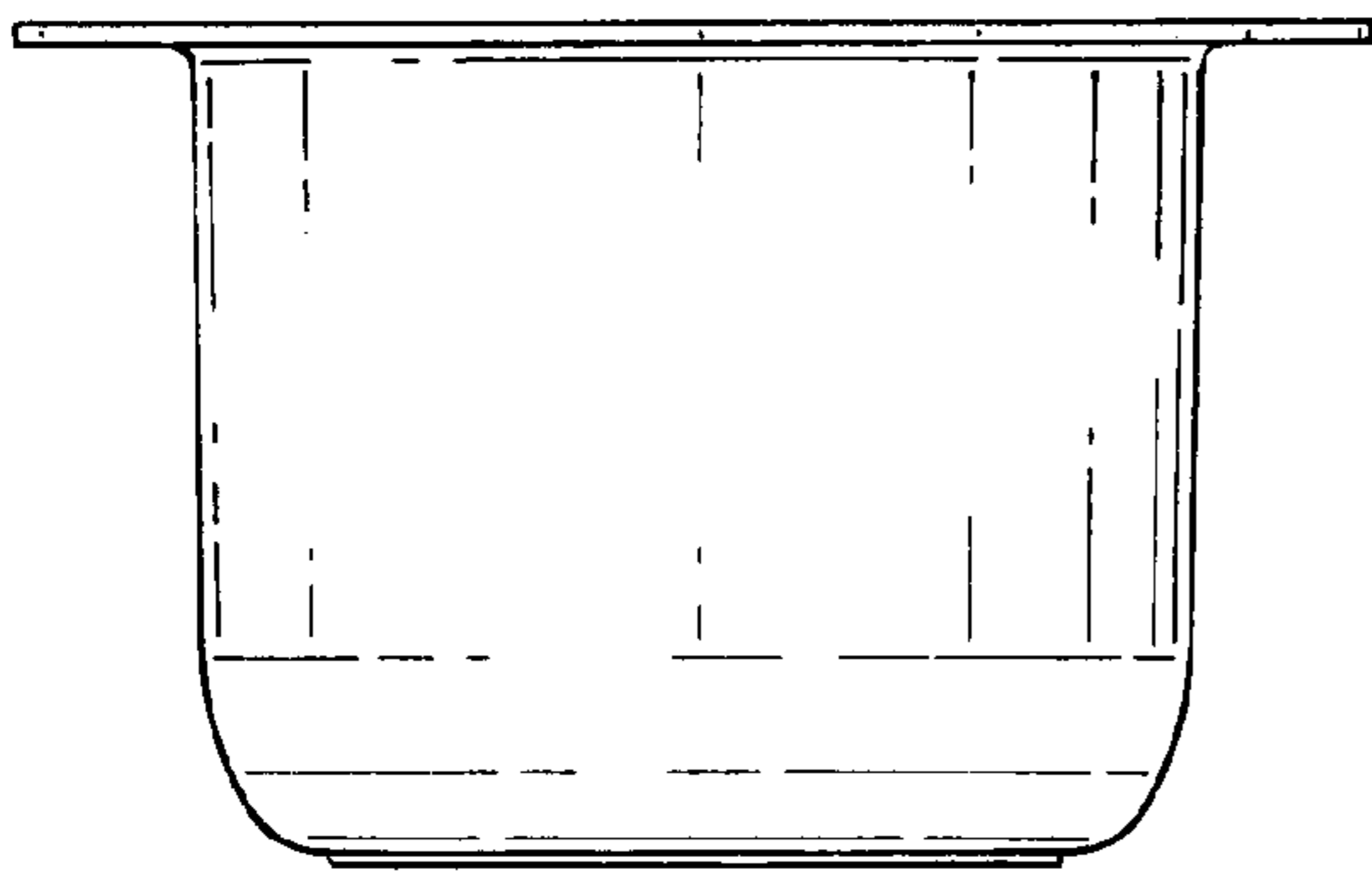


Fig.2.

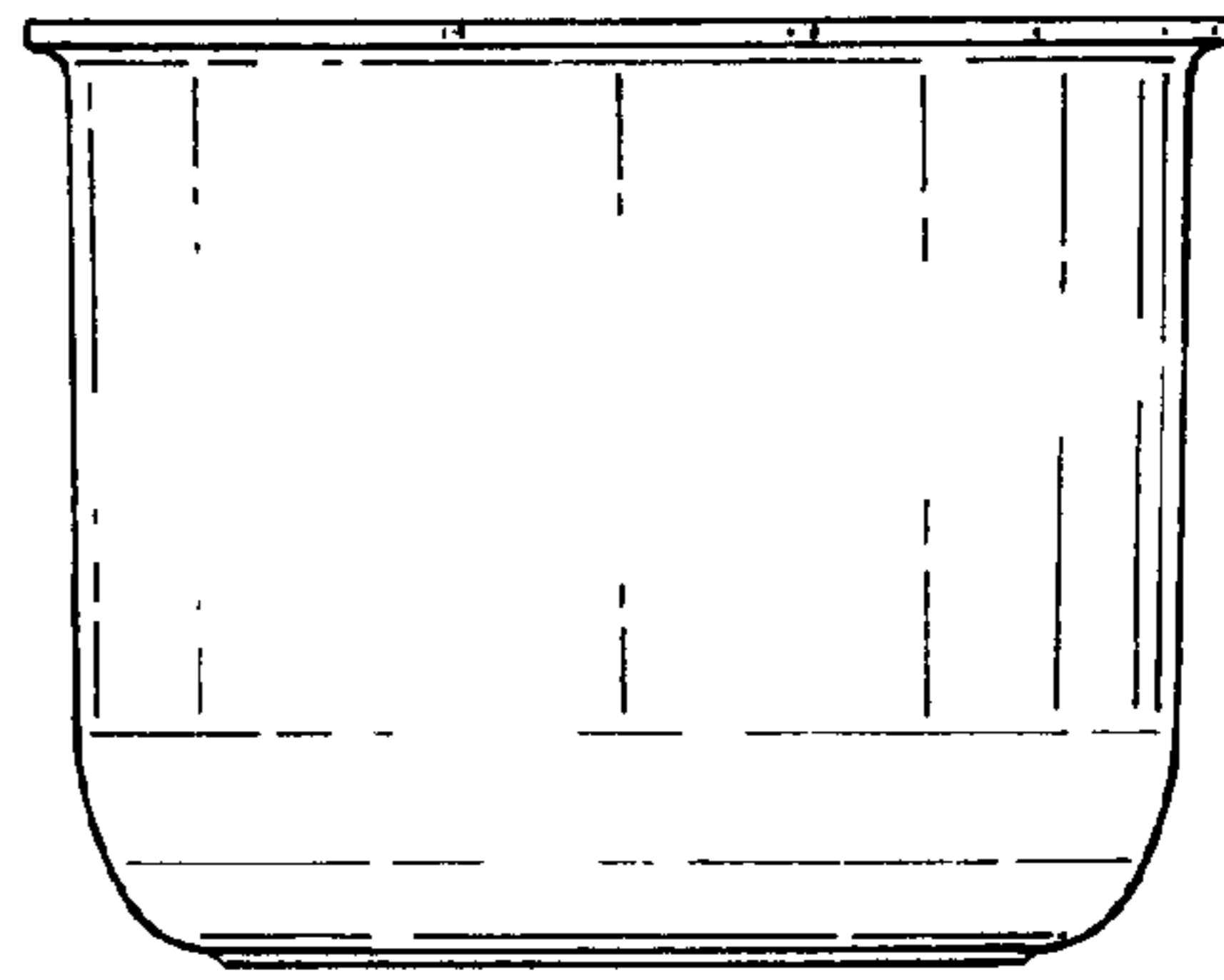


Fig.3.

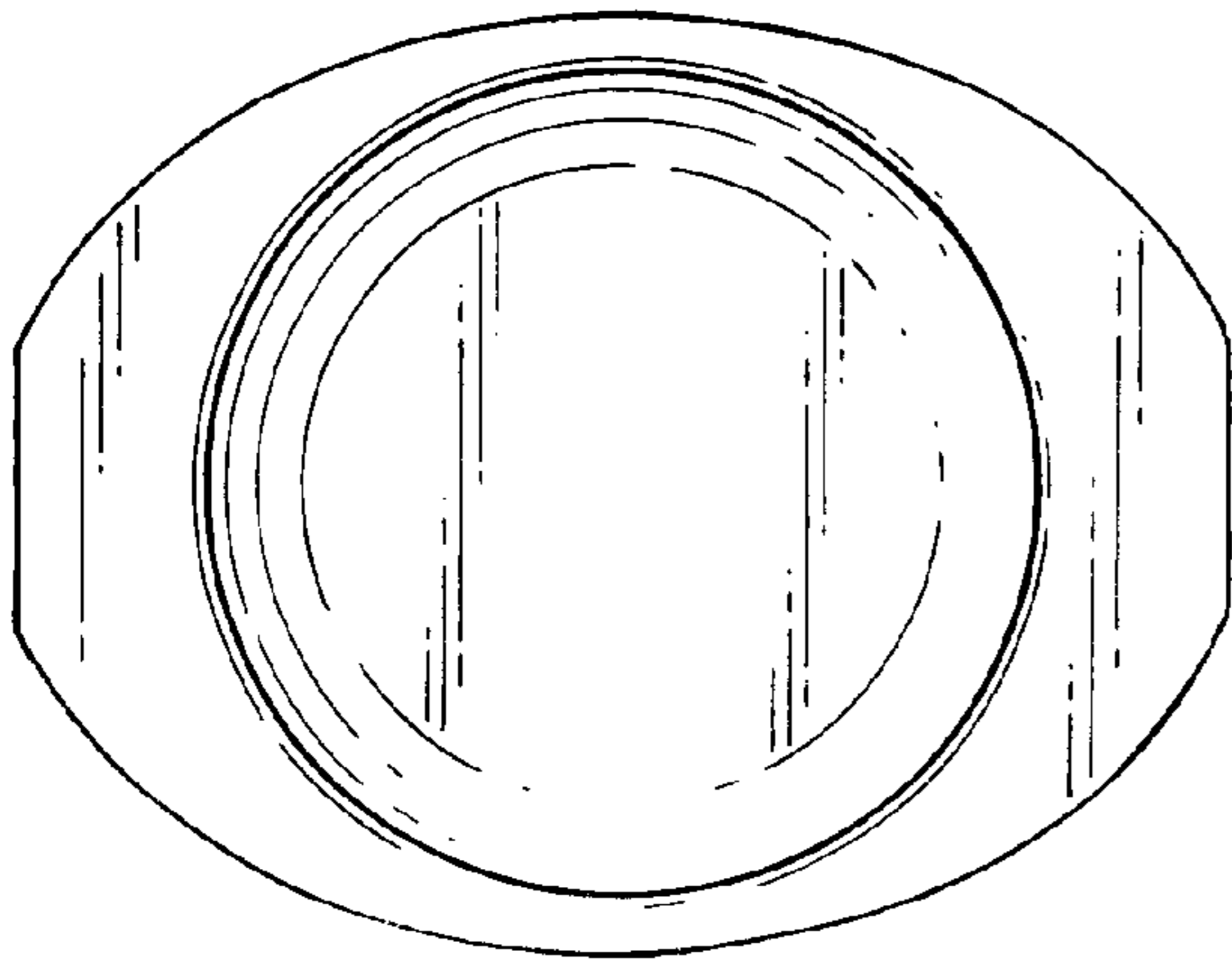


Fig.4.

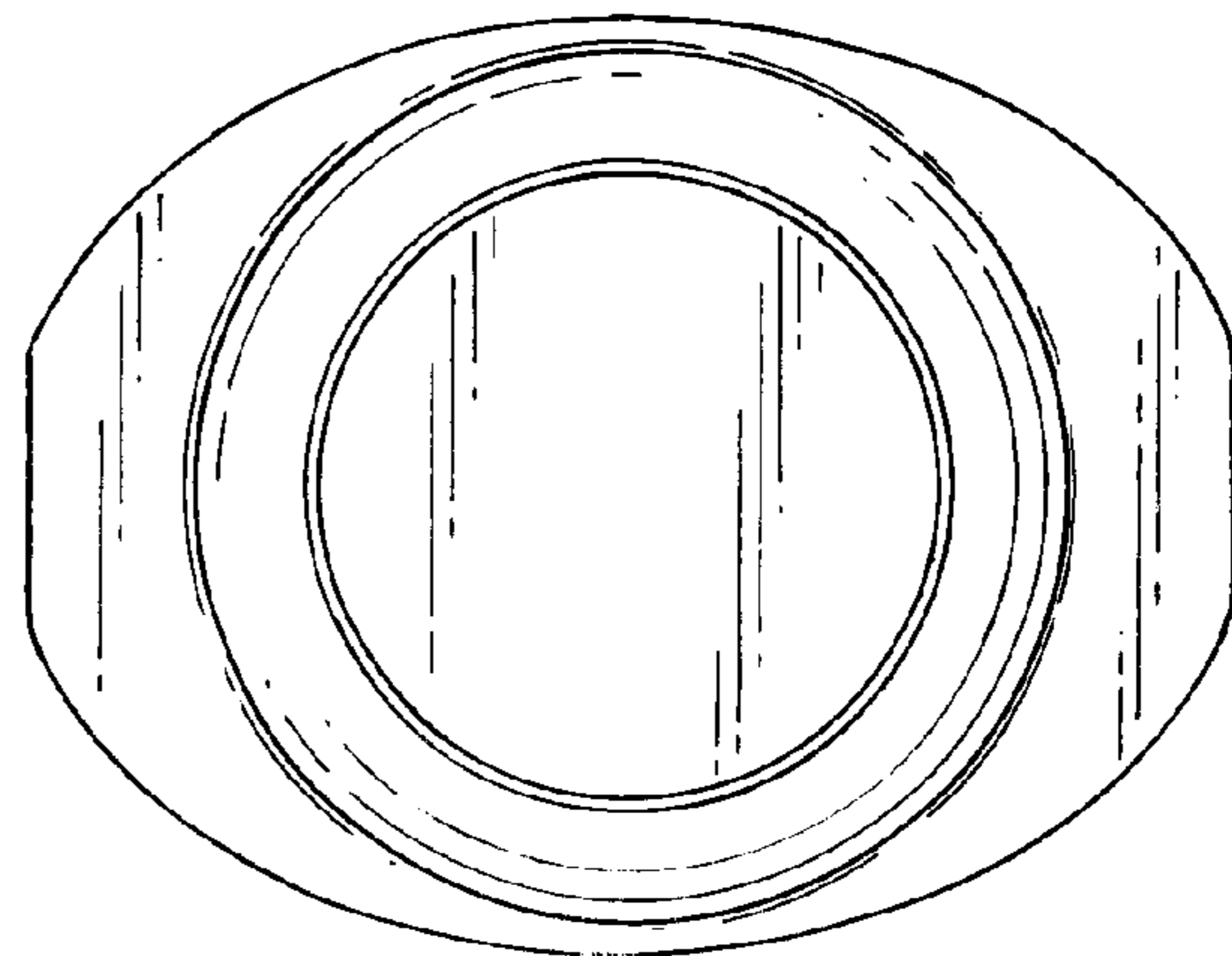


Fig.5.

UNITED STATES PATENT AND TRADEMARK OFFICE
CERTIFICATE OF CORRECTION

PATENT NO. : Des. 512,631 S
APPLICATION NO. : 29/209930
DATED : December 13, 2005
INVENTOR(S) : L'Hoste et al.

Page 1 of 1

It is certified that error appears in the above-identified patent and that said Letters Patent is hereby corrected as shown below:

On the Title Page, item [73]:

Assignee: Jean-Francois L'Hoste
Marielle De La Torre

should read: Reckitt Benckiser (UK) Limited
103-105 Bath Road
Slough, Berkshire SL1 3UH
United Kingdom

Signed and Sealed this

Seventh Day of April, 2009



JOHN DOLL
Acting Director of the United States Patent and Trademark Office