



US00D512627S

(12) **United States Design Patent**  
**Okada**

(10) **Patent No.:** **US D512,627 S**

(45) **Date of Patent:** **\*\* Dec. 13, 2005**

(54) **SEAL PLUG**

D497,097 S \* 10/2004 Graves ..... D8/330

(75) **Inventor:** **Shigeo Okada, Kanagawa-ken (JP)**

\* cited by examiner

(73) **Assignee:** **Piolax, Inc., Yokohama (JP)**

*Primary Examiner*—Prabhakar Deshmukh

(\*\*) **Term:** **14 Years**

(74) *Attorney, Agent, or Firm*—McGinn & Gibb, PLLC

(21) **Appl. No.:** **29/207,708**

(57) **CLAIM**

(22) **Filed:** **Jun. 18, 2004**

The ornamental design for a seal plug, as shown and described.

(30) **Foreign Application Priority Data**

**DESCRIPTION**

May 19, 2004 (JP) ..... 2004-014692  
May 19, 2004 (JP) ..... 2004-014694

FIG. 1 is a perspective view of the front and top of a seal plug according to a first embodiment showing my new design;

(51) **LOC (6) Cl.** ..... **08-07**

FIG. 2 is a front view thereof;

(52) **U.S. Cl.** ..... **D8/343; D8/342; D8/331**

FIG. 3 is a right side view thereof;

(58) **Field of Search** ..... D8/330, 331, 342, D8/343; 70/344, 370, 391, 454, 14, 51, 52, 141, 158, 50, 431; 292/307 R, 327

FIG. 4 is a top plan view thereof;

FIG. 5 is a bottom view thereof;

FIG. 6 is a perspective view of the front and top of a seal plug according to a second embodiment showing my new design;

(56) **References Cited**

FIG. 7 is a front view thereof;

**U.S. PATENT DOCUMENTS**

FIG. 8 is a rear view thereof;

3,945,671 A \* 3/1976 Gerlach ..... 292/323  
5,199,285 A \* 4/1993 Lin ..... 70/220  
5,435,159 A \* 7/1995 Ramsauer ..... 70/370  
5,491,993 A \* 2/1996 Anderson ..... 70/367  
D410,190 S \* 5/1999 Freck ..... D8/331  
D436,833 S \* 1/2001 Turner et al. .... D8/331  
D471,428 S \* 3/2003 Mirick ..... D8/331

FIG. 9 is a top plan view thereof;

FIG. 10 is a bottom view thereof;

FIG. 11 is a right side view thereof; and,

FIG. 12 is a left side view thereof.

**1 Claim, 5 Drawing Sheets**

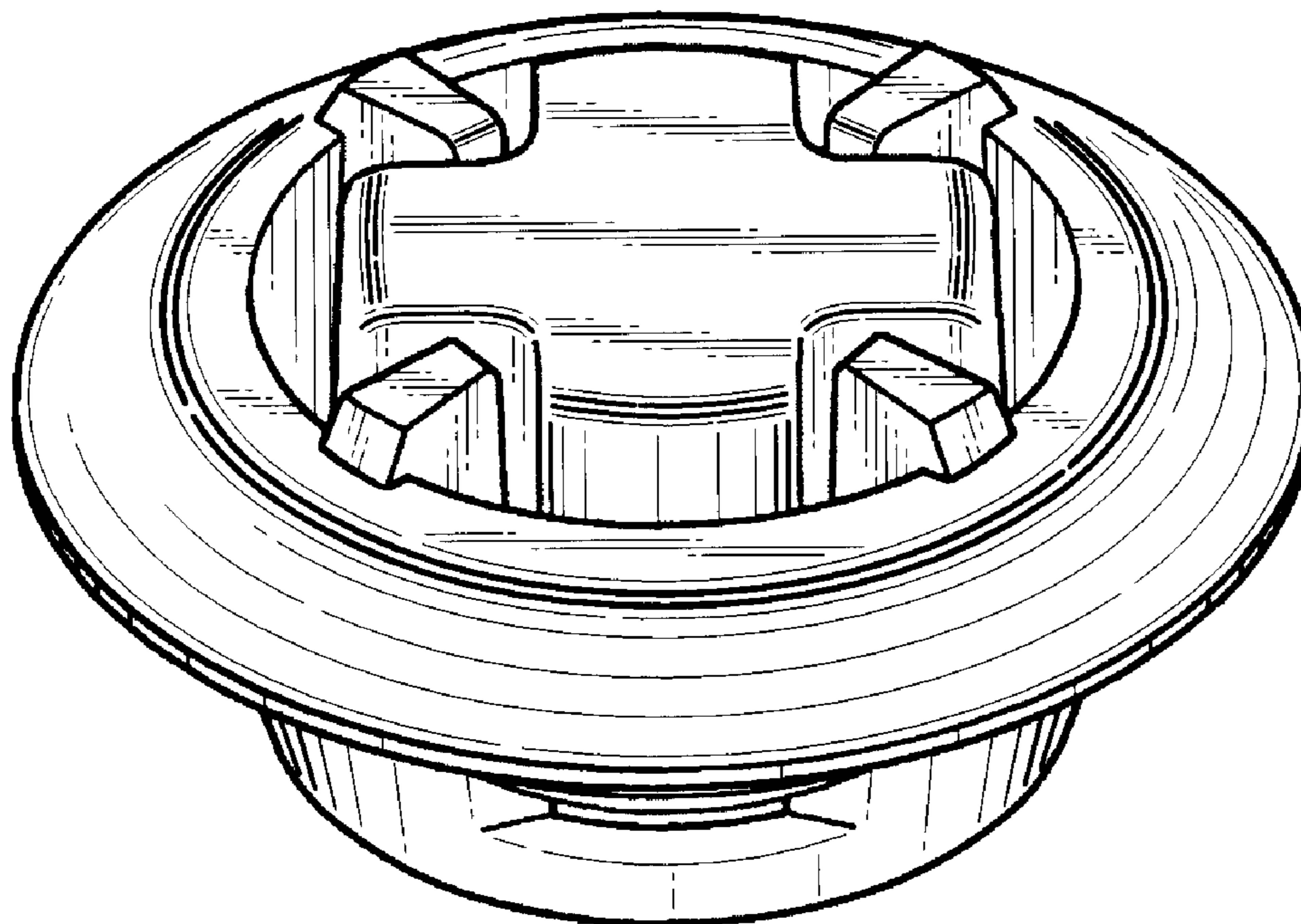


FIG. 1

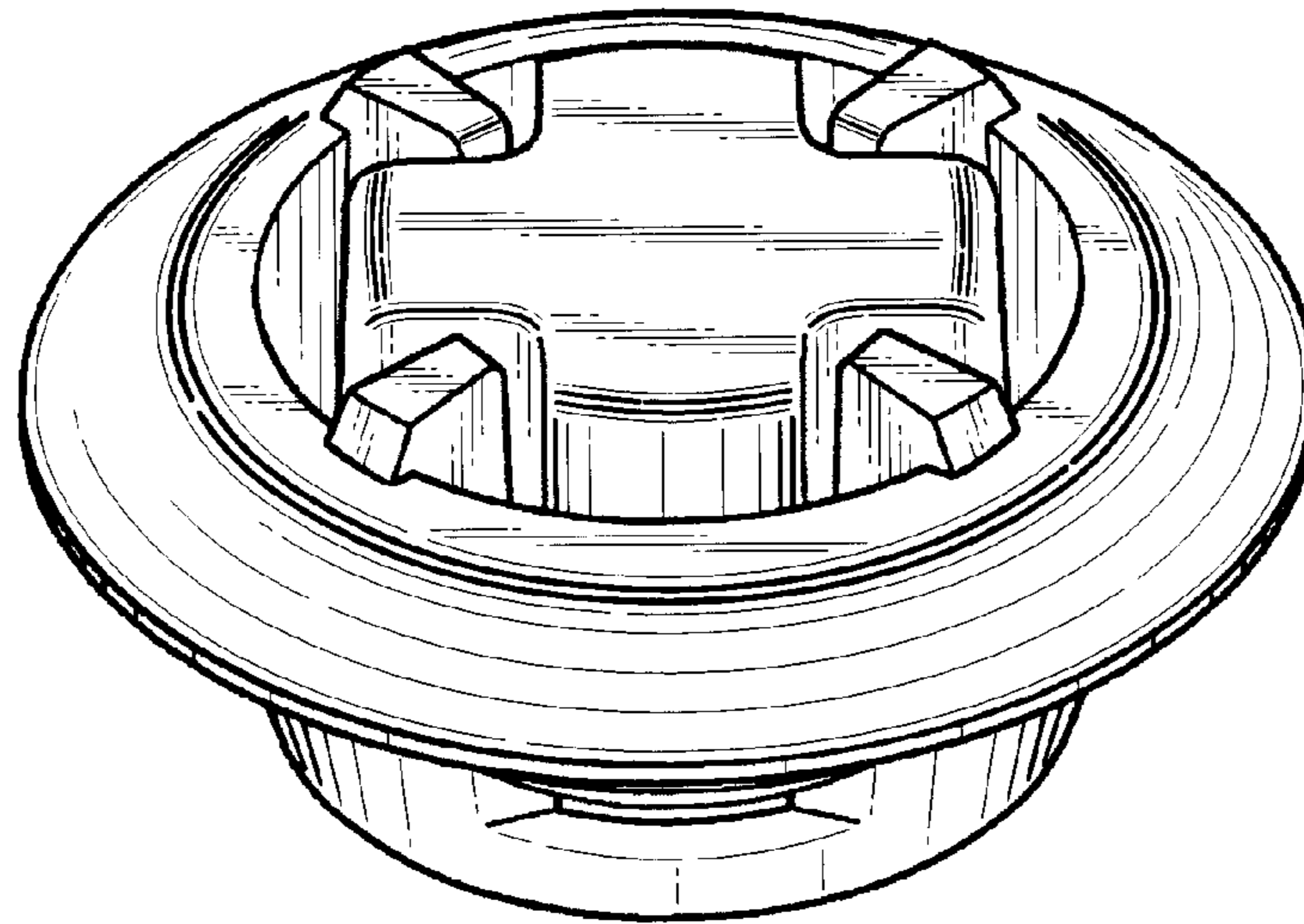


FIG. 2

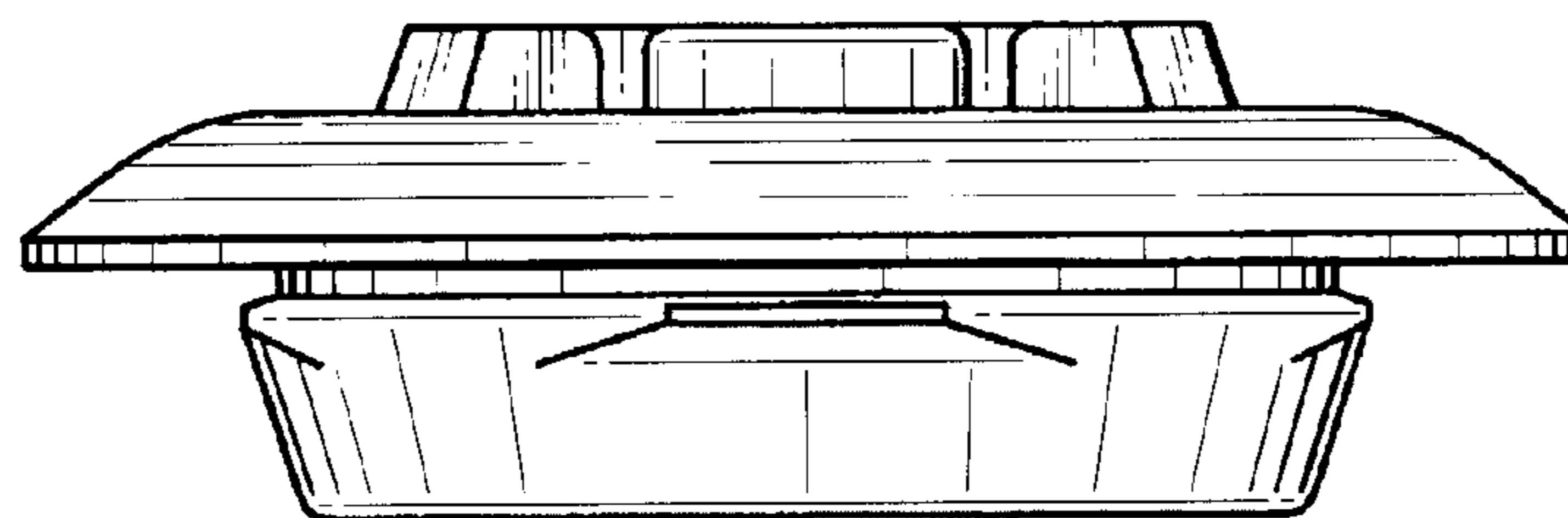


FIG. 3

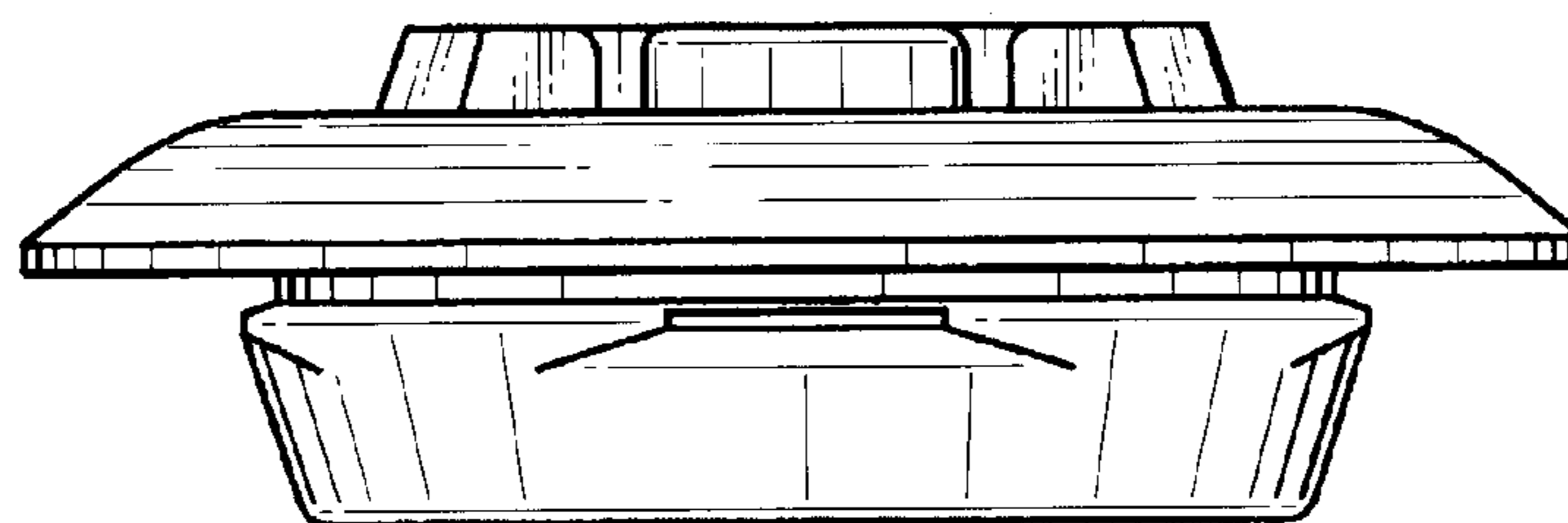


FIG.4

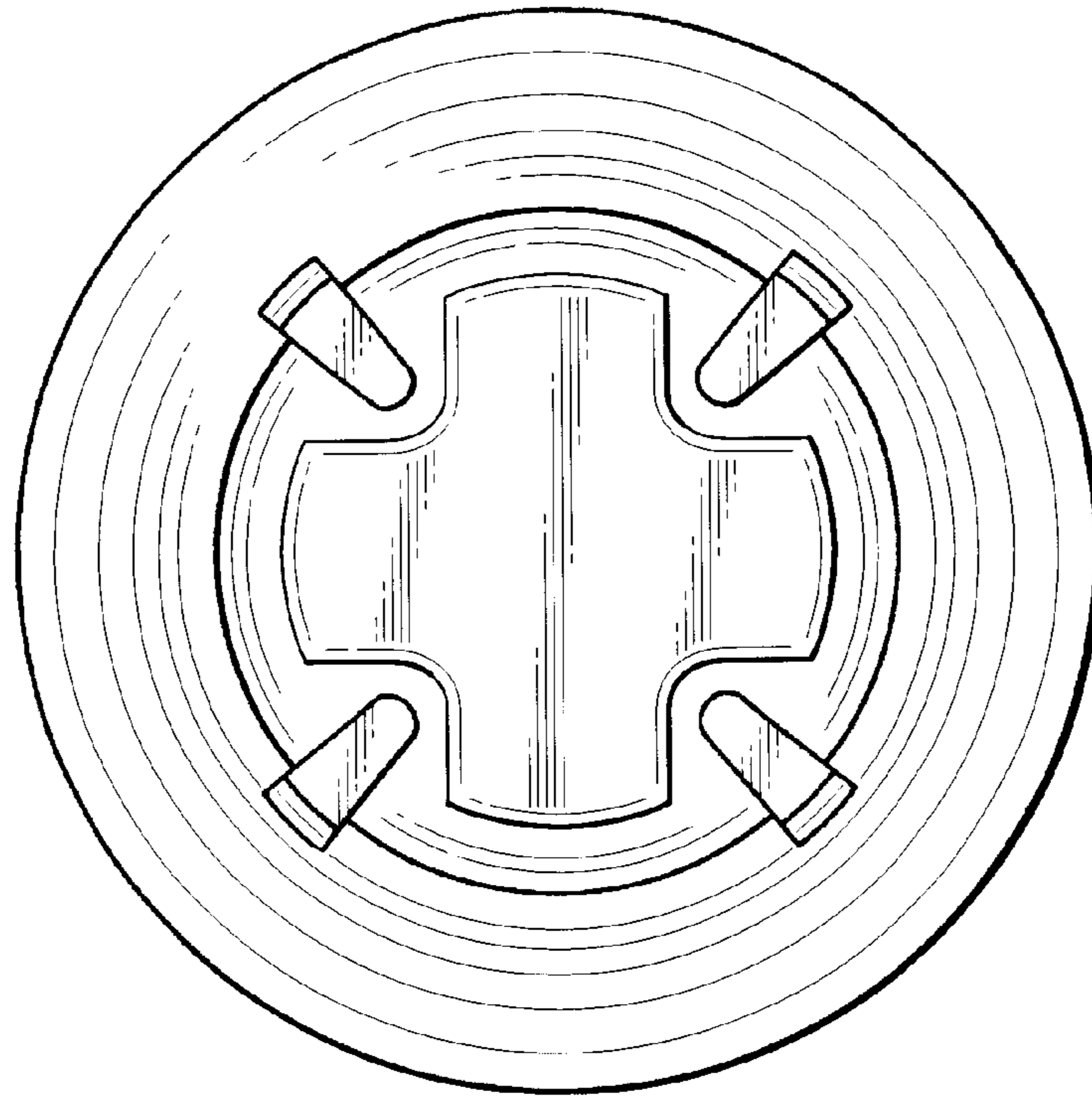


FIG.5

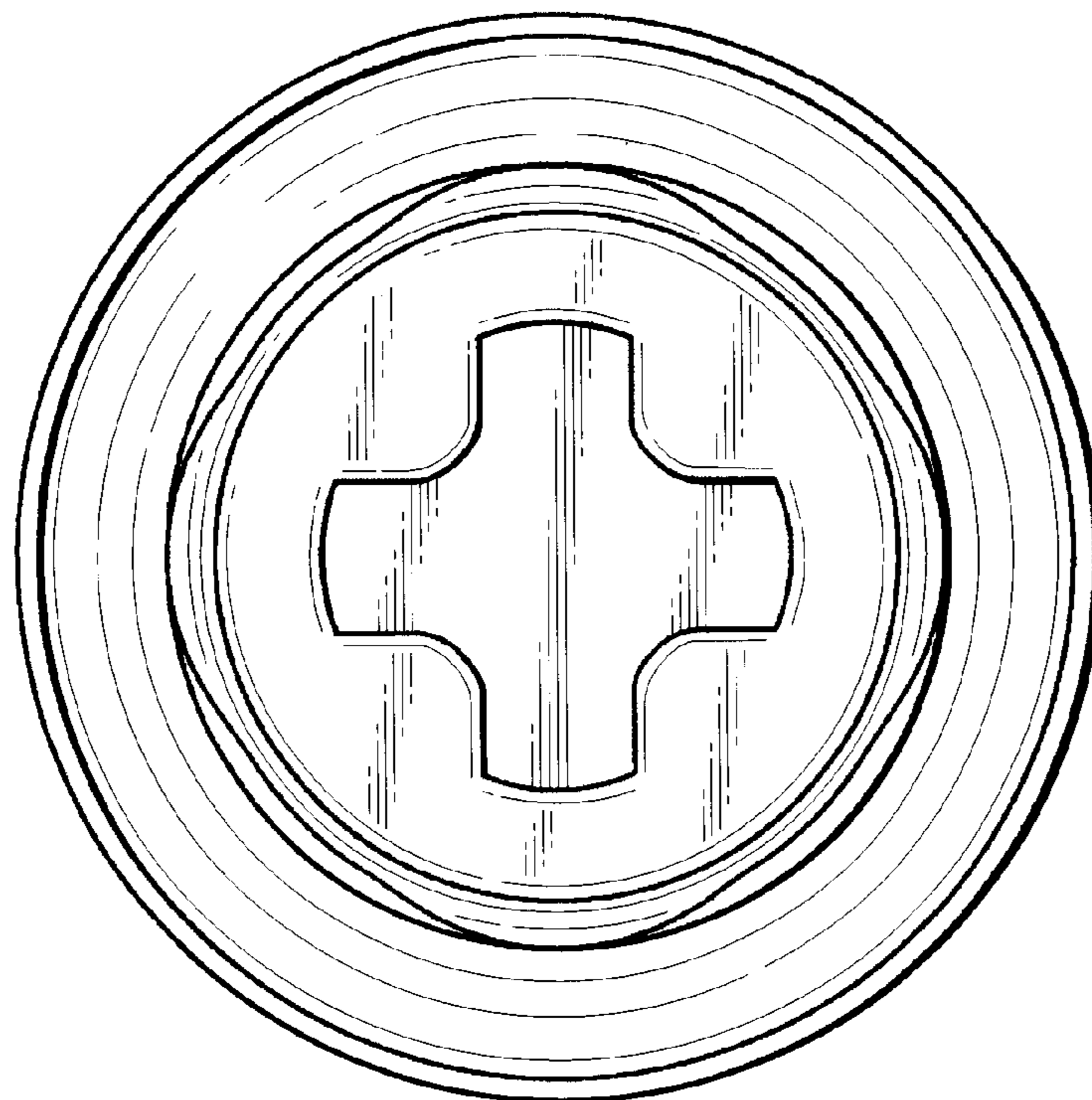


FIG. 6

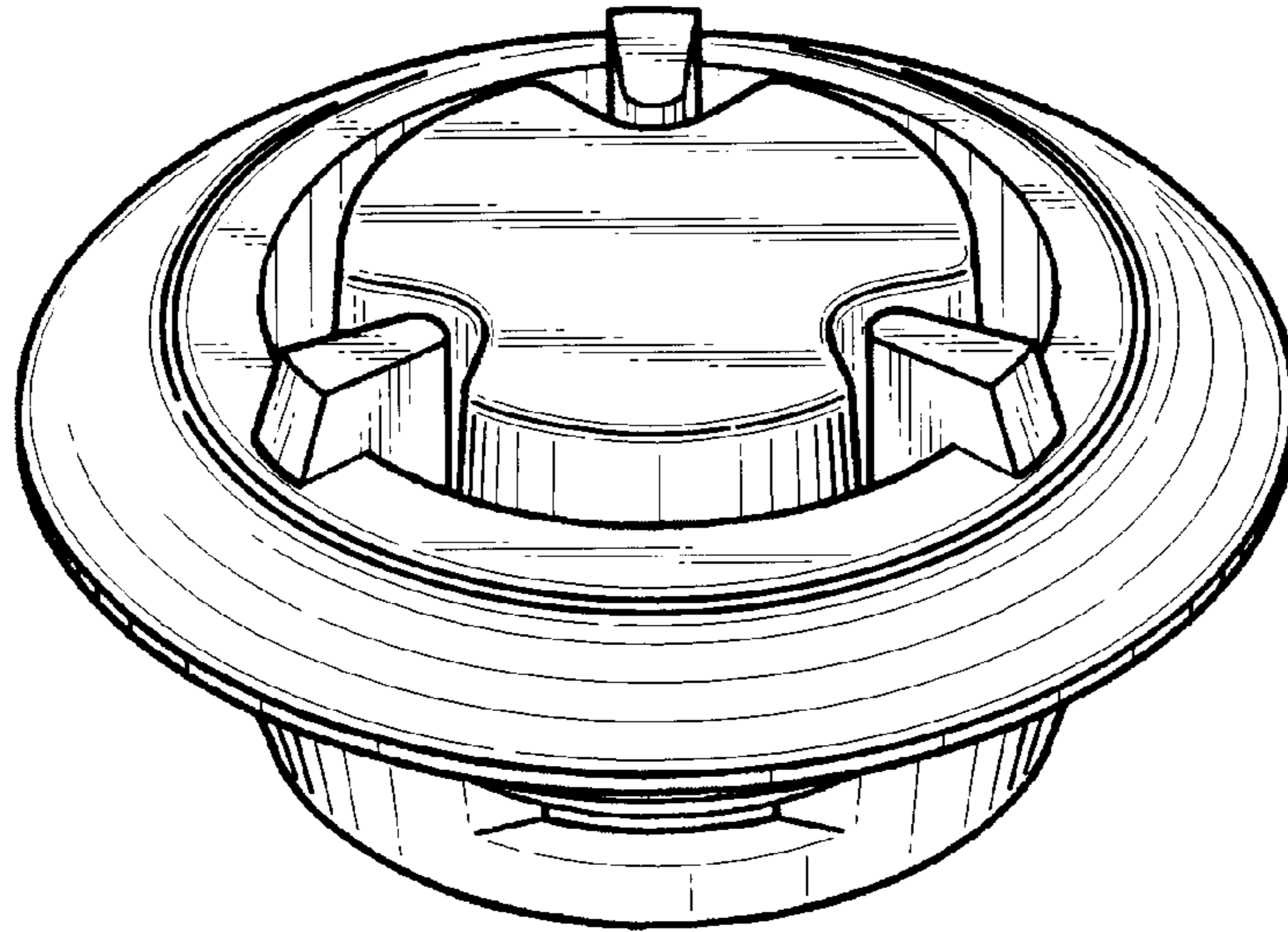


FIG. 7

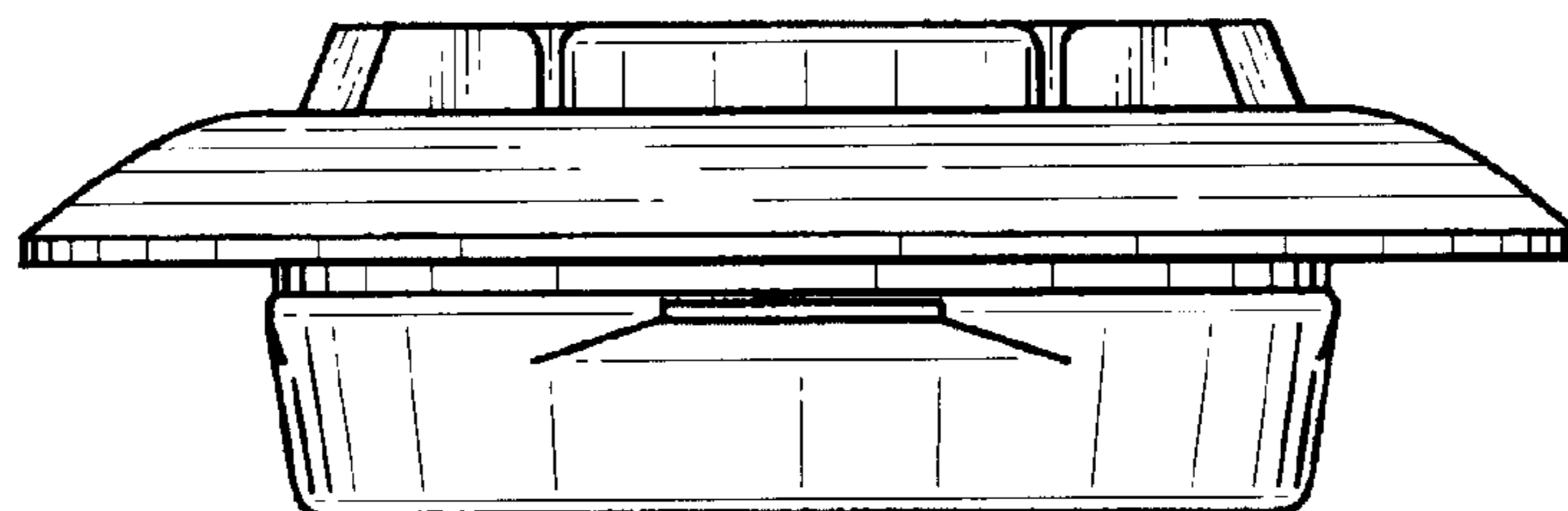


FIG. 8

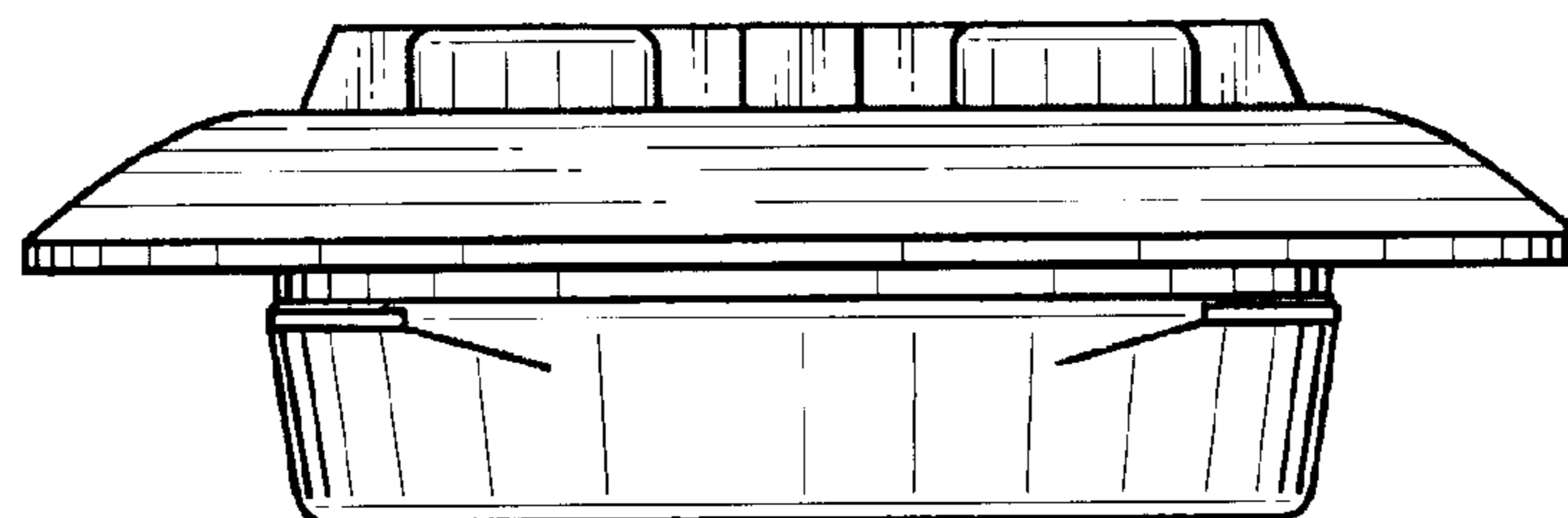


FIG. 9

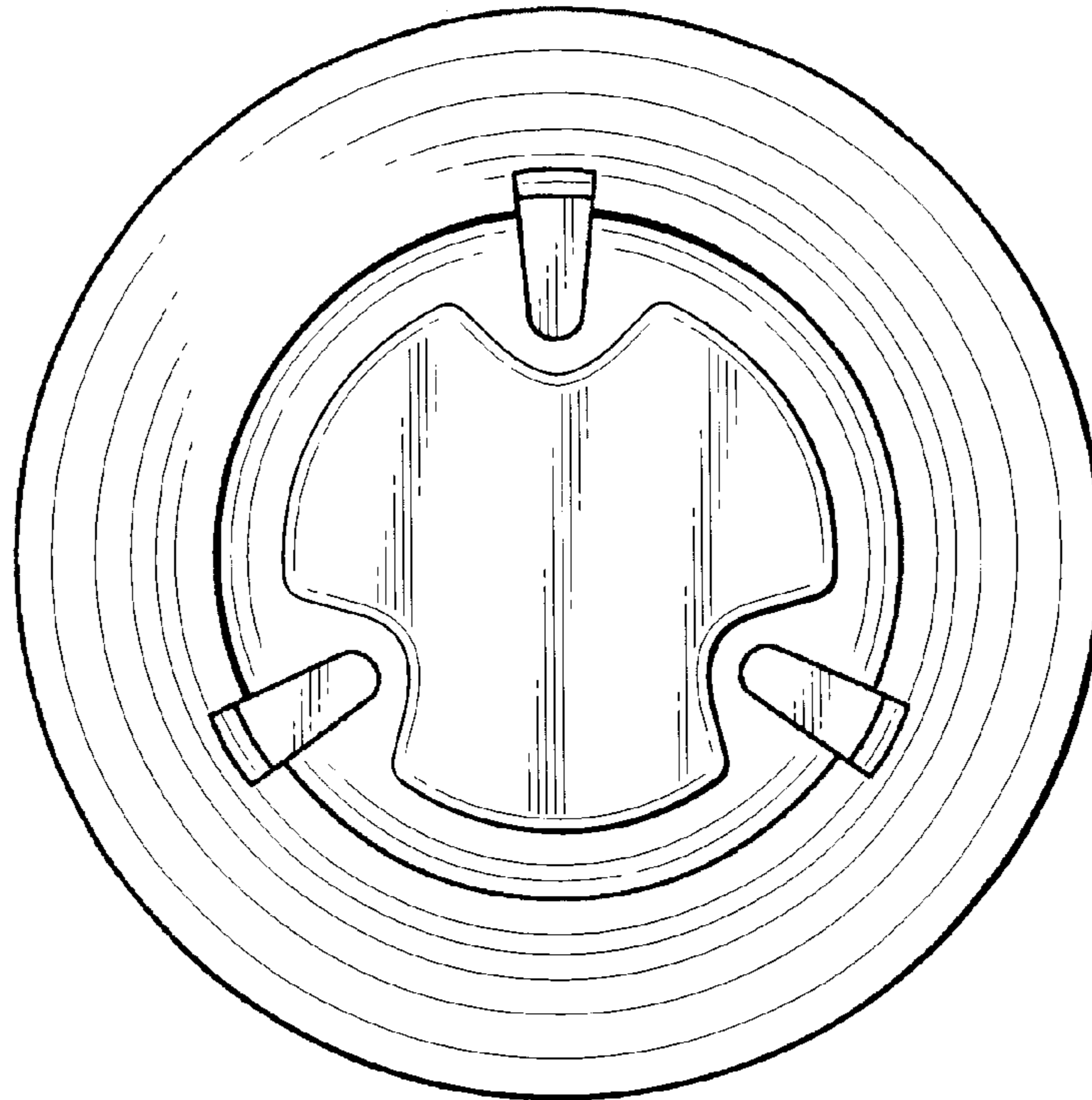


FIG. 10

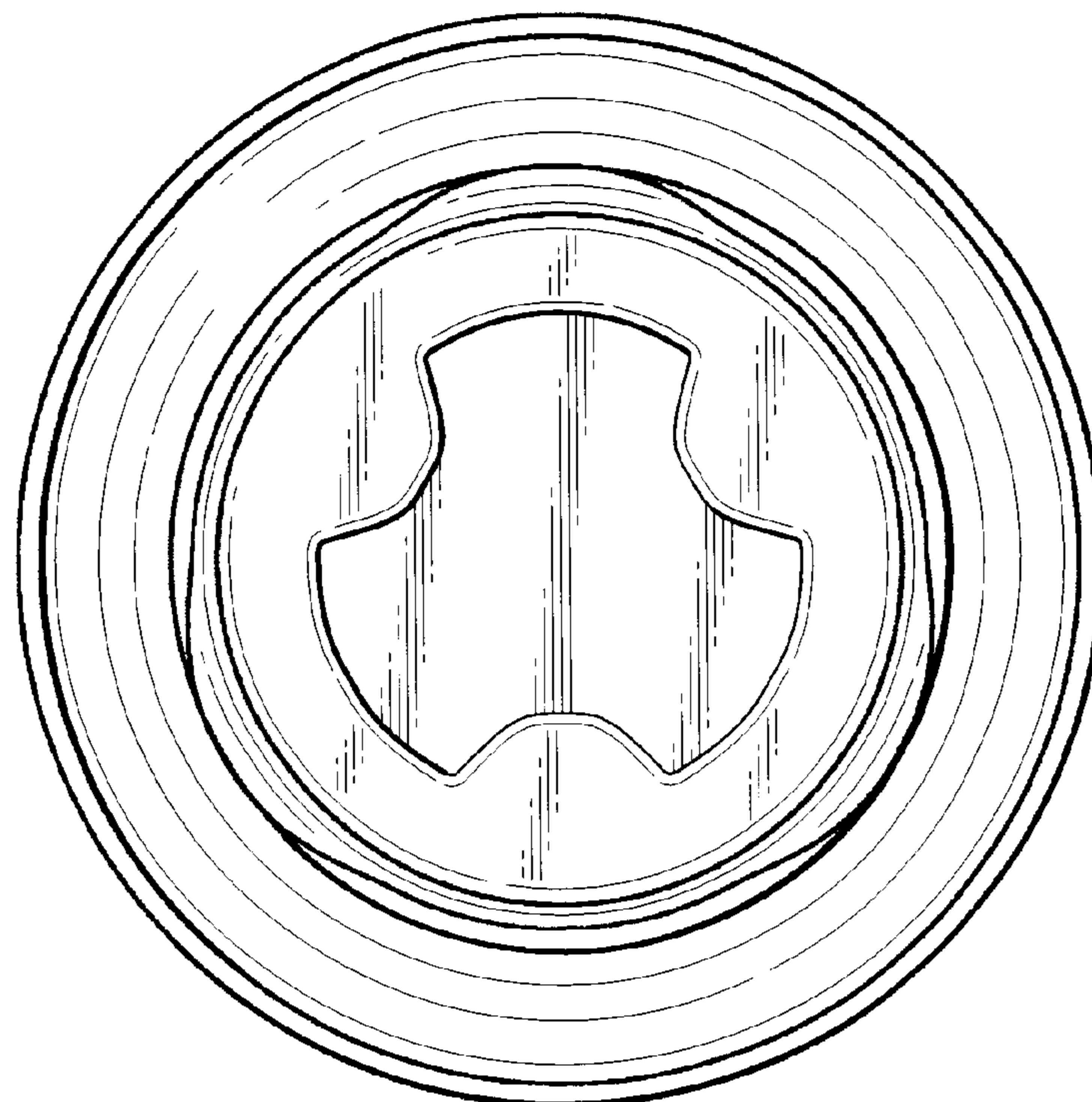


FIG. 11

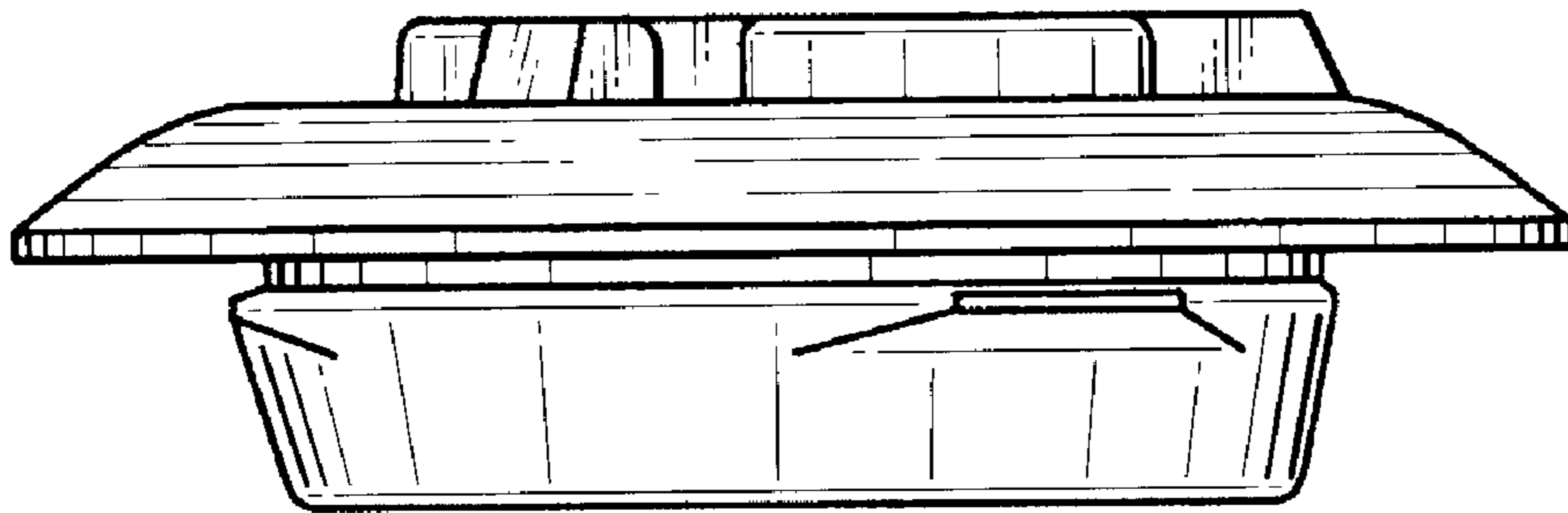


FIG. 12

