



US00D512622S

(12) **United States Design Patent**
Thomas

(10) **Patent No.: US D512,622 S**
(45) **Date of Patent: ** Dec. 13, 2005**

(54) **STRAIGHT FINISH NAILER**
(75) **Inventor: Benjamin J. Thomas, Anderson, SC (US)**
(73) **Assignee: Eastway Fair Company Limited (VG)**
(**) **Term: 14 Years**

(21) **Appl. No.: 29/221,213**
(22) **Filed: Jan. 11, 2005**

(51) **LOC (6) Cl. 08-05**
(52) **U.S. Cl. D8/69**
(58) **Field of Search D8/14.1, 61, 62, D8/63, 64, 65, 66, 67, 68, 69, 70; 81/57.11, 429, 464, 465, 466, 469, 489; 173/13, 169, 178, 213, 217; 227/8, 114, 120, 130, 136, 142; 310/50; 408/20, 124, 125, 234, 241 R; 451/358**

(56) **References Cited**

U.S. PATENT DOCUMENTS

D316,022 S * 4/1991 Moraht D8/69
D338,818 S * 8/1993 Katsuba D8/62
5,564,614 A * 10/1996 Yang 227/8
5,588,577 A * 12/1996 Chen 227/120
5,720,422 A * 2/1998 Ichikawa et al. 227/120
D396,178 S * 7/1998 Hattori D8/68
D410,182 S * 5/1999 Etter et al. D8/69
5,967,396 A * 10/1999 Chuang 227/120
6,036,072 A * 3/2000 Lee 227/120
6,158,643 A * 12/2000 Phillips 227/130
6,296,167 B1 * 10/2001 Jen 227/136
D459,184 S * 6/2002 Buck D8/69
6,398,097 B1 * 6/2002 Liang 227/136
D462,884 S * 9/2002 Oh D8/69

D475,597 S * 6/2003 Arai D8/68
D477,762 S * 7/2003 Bor D8/68
D479,110 S * 9/2003 Nolan et al. D8/68
6,644,530 B2 * 11/2003 Chen 227/120
6,695,193 B1 * 2/2004 Chang 227/8
6,695,194 B1 * 2/2004 Chang 227/8
D497,091 S * 10/2004 Leasure D8/68
D498,127 S * 11/2004 Leasure D8/68
D499,321 S * 12/2004 Buck et al. D8/68
6,896,165 B1 * 5/2005 Wang 227/120
2002/0056739 A1 * 5/2002 Liu 227/8
2004/0169057 A1 * 9/2004 Ronconi 227/120

FOREIGN PATENT DOCUMENTS

GB 2103460 S * 2/2001

* cited by examiner

Primary Examiner—Gary D. Watson
Assistant Examiner—T. Chase Nelson
(74) *Attorney, Agent, or Firm*—Brinks Hofer Gilson & Lione

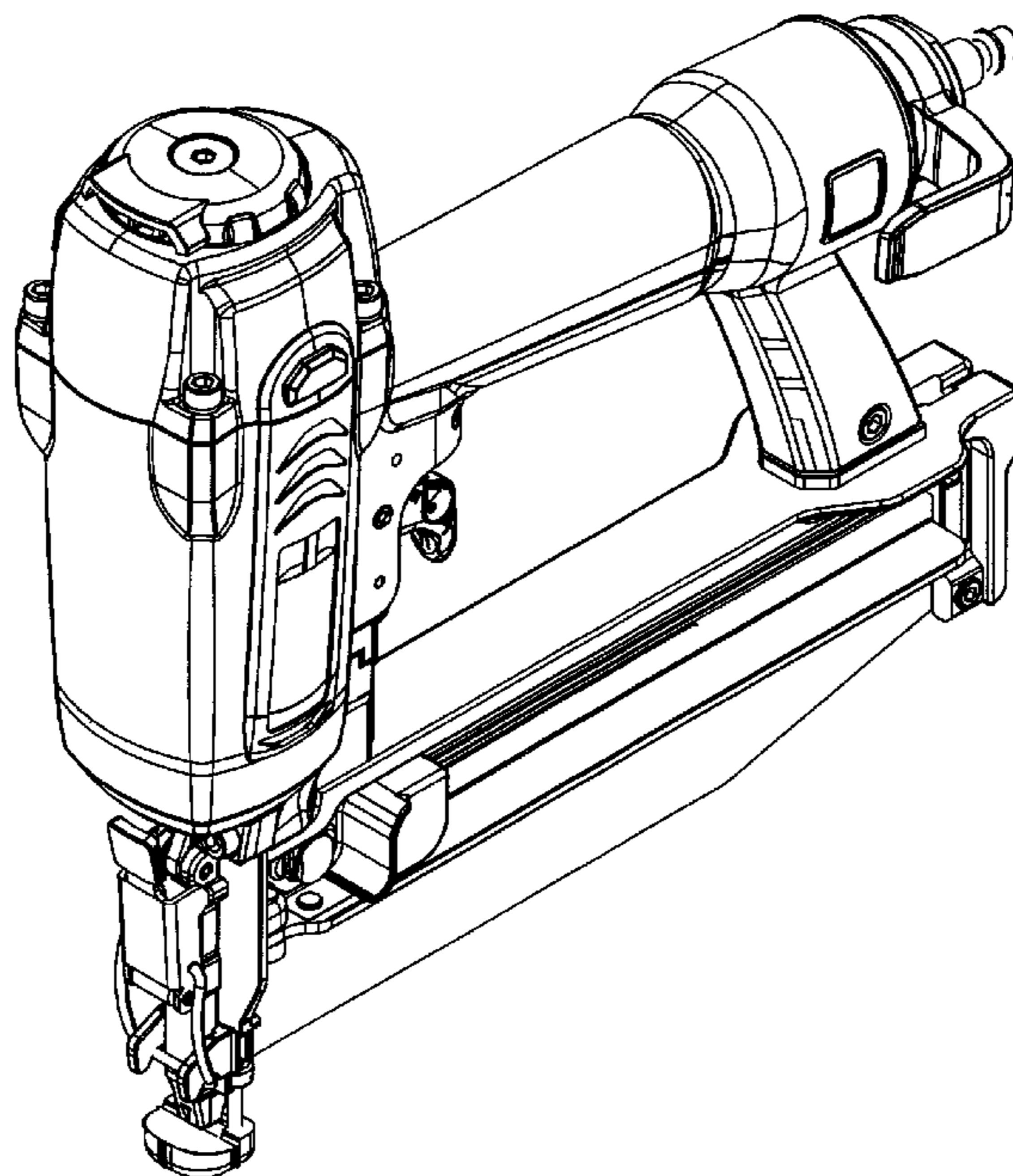
(57) **CLAIM**

I claim the ornamental design for a stright finish nailer, as shown and described.

DESCRIPTION

FIG. 1 is a top perspective view of a straight finish nailer of the present invention;
FIG. 2 is a first side view thereof;
FIG. 3 is a second side view thereof;
FIG. 4 is a top view thereof;
FIG. 5 is a bottom view thereof;
FIG. 6 is a rear view thereof; and,
FIG. 7 is a front view thereof.

1 Claim, 5 Drawing Sheets



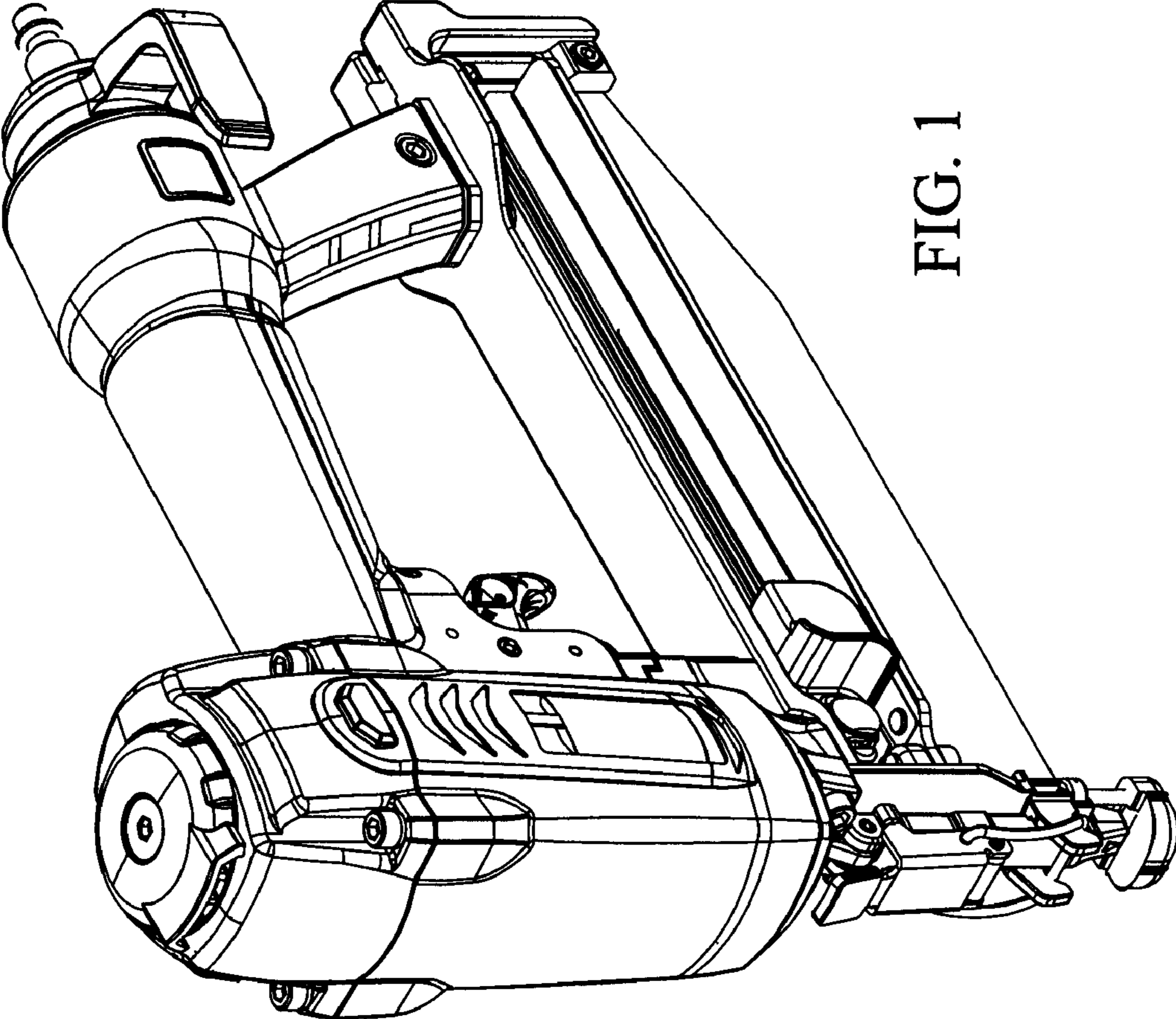


FIG. 1

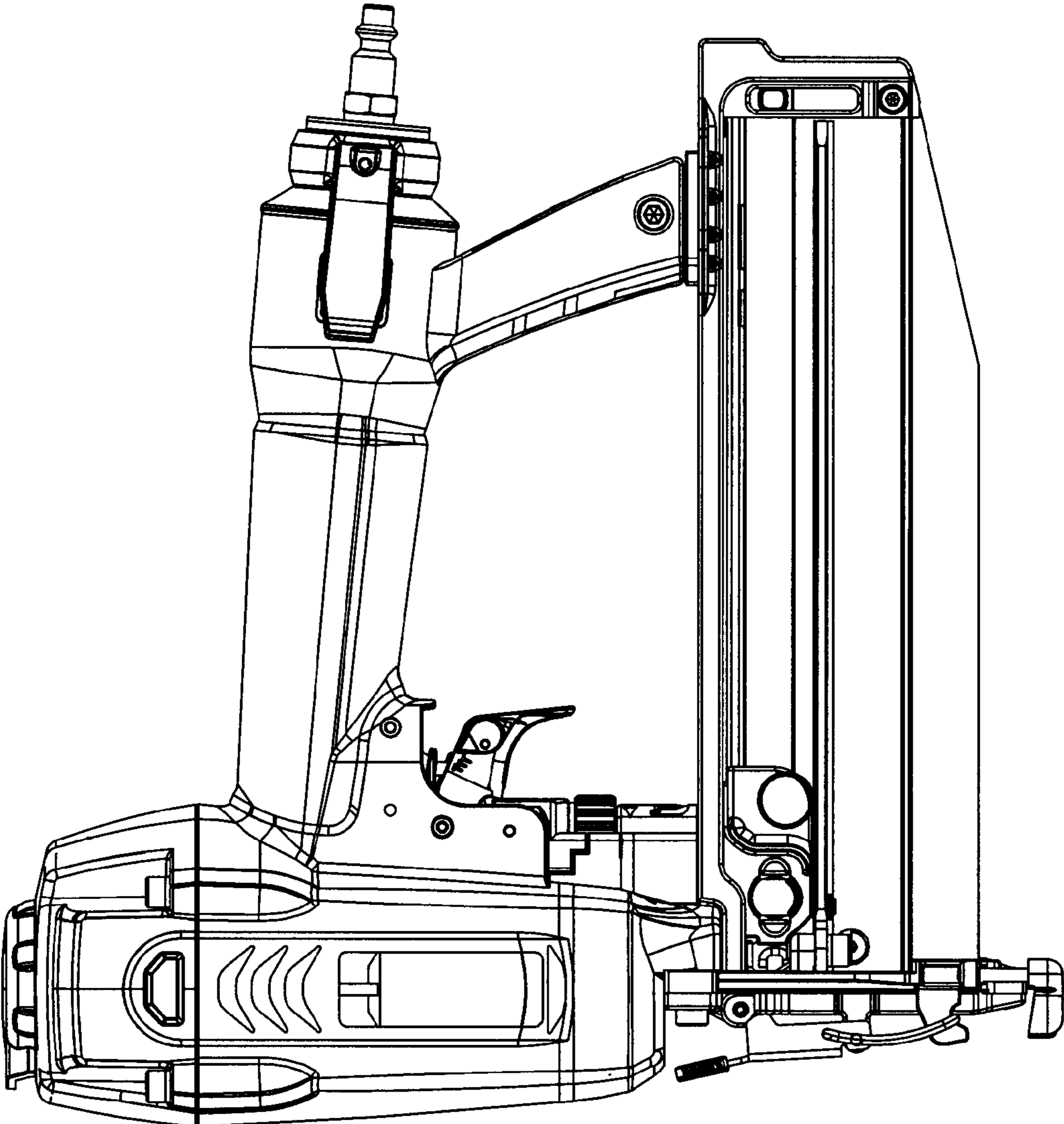
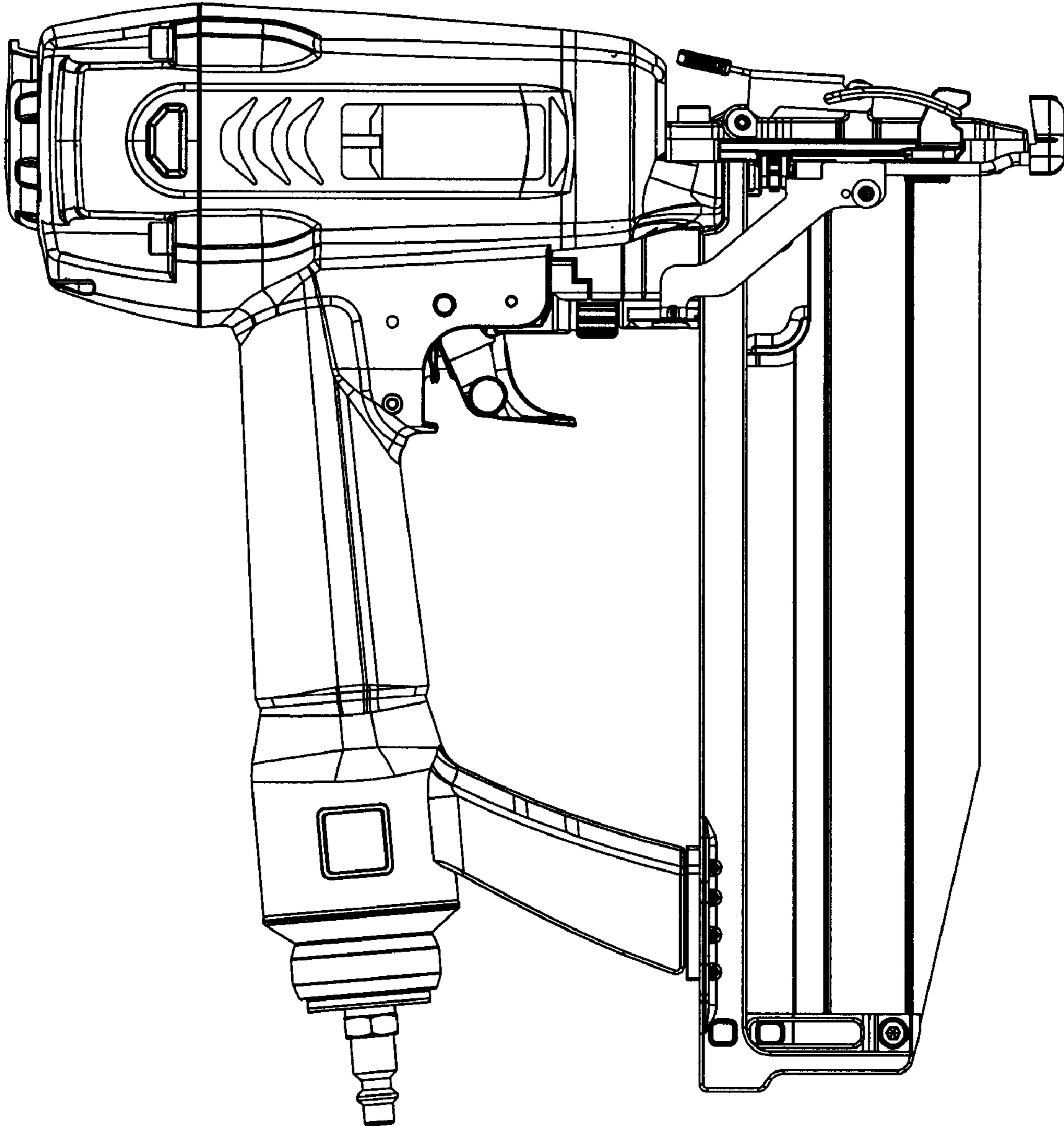


FIG. 2

FIG. 3



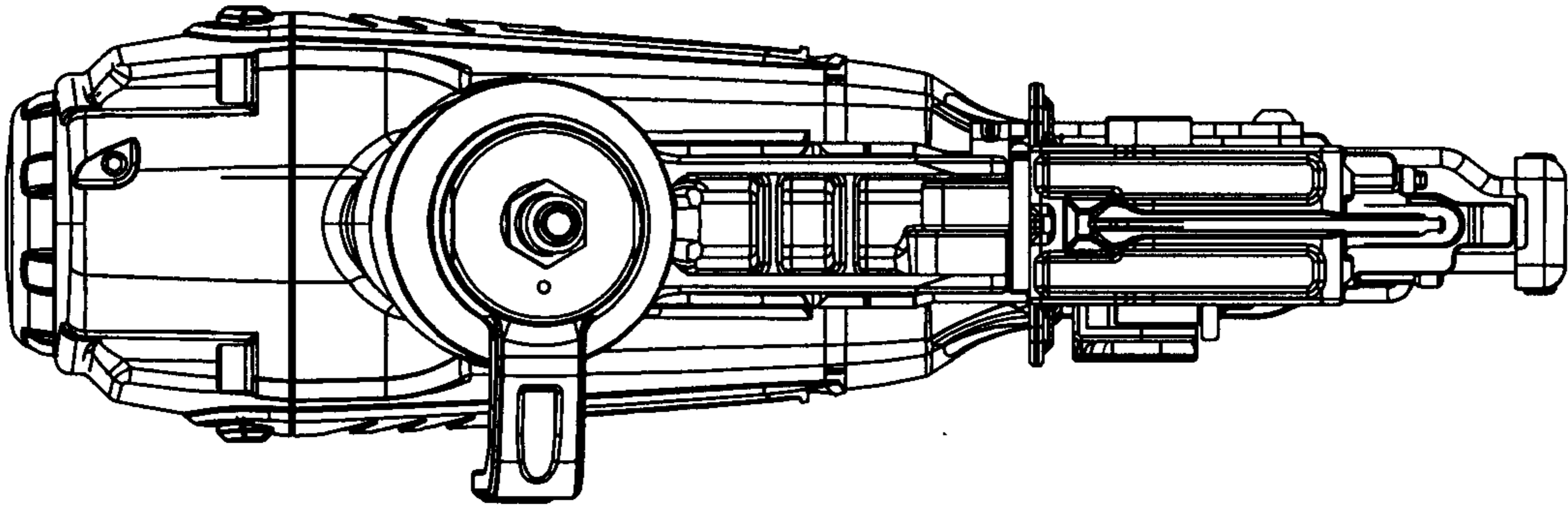


FIG. 5

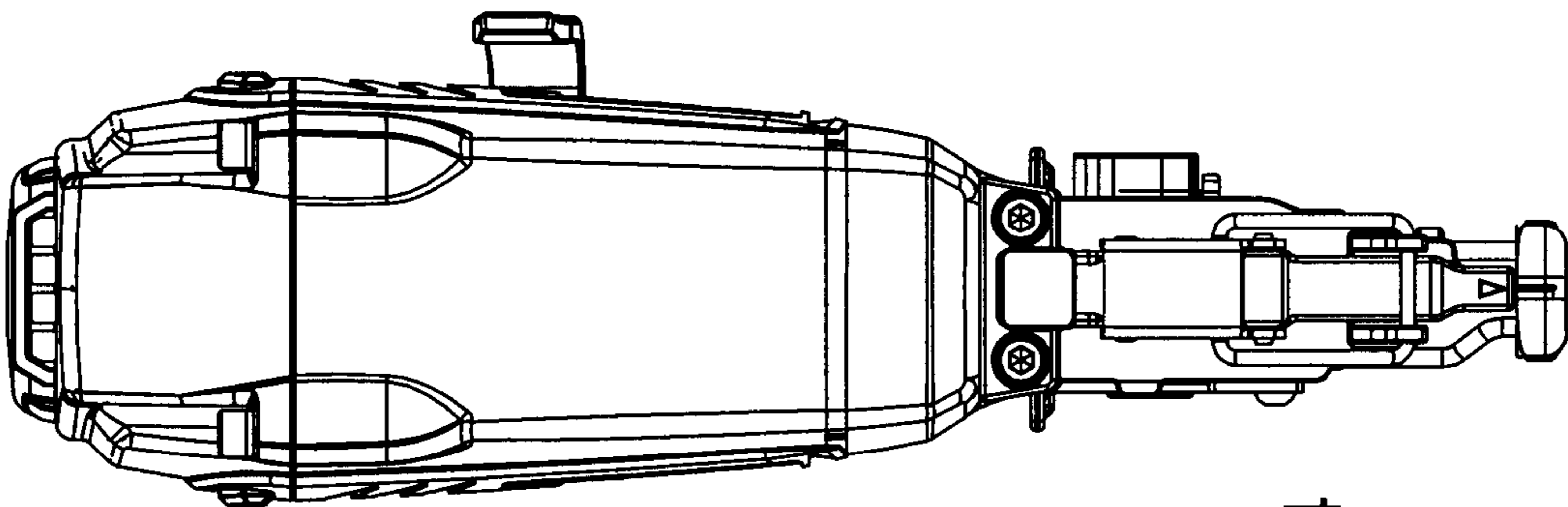


FIG. 4

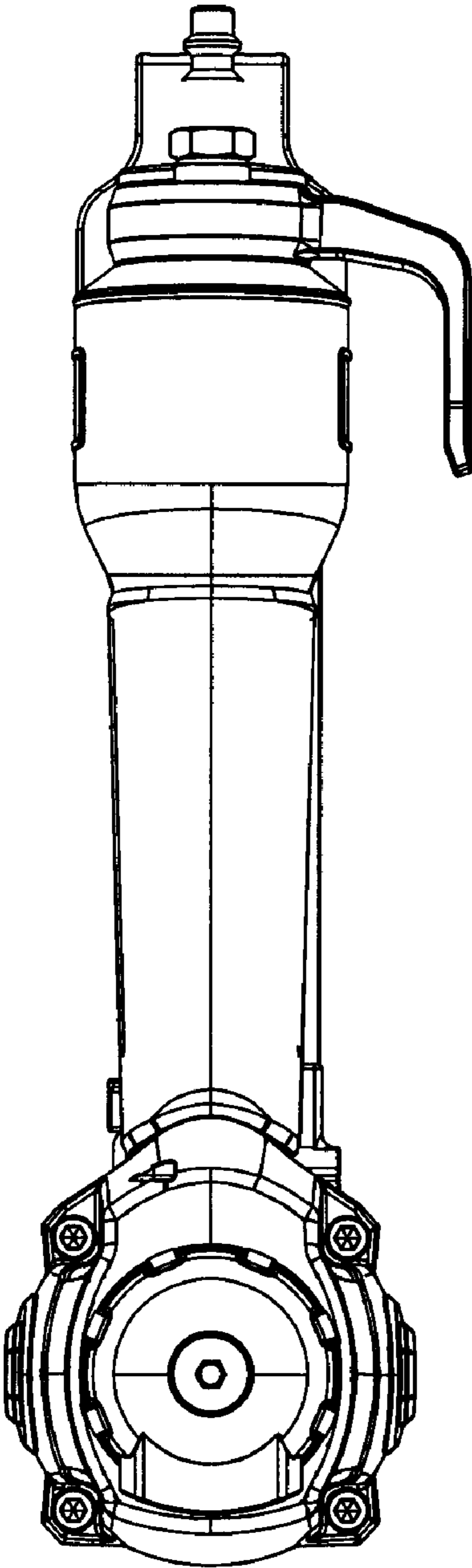


FIG. 6

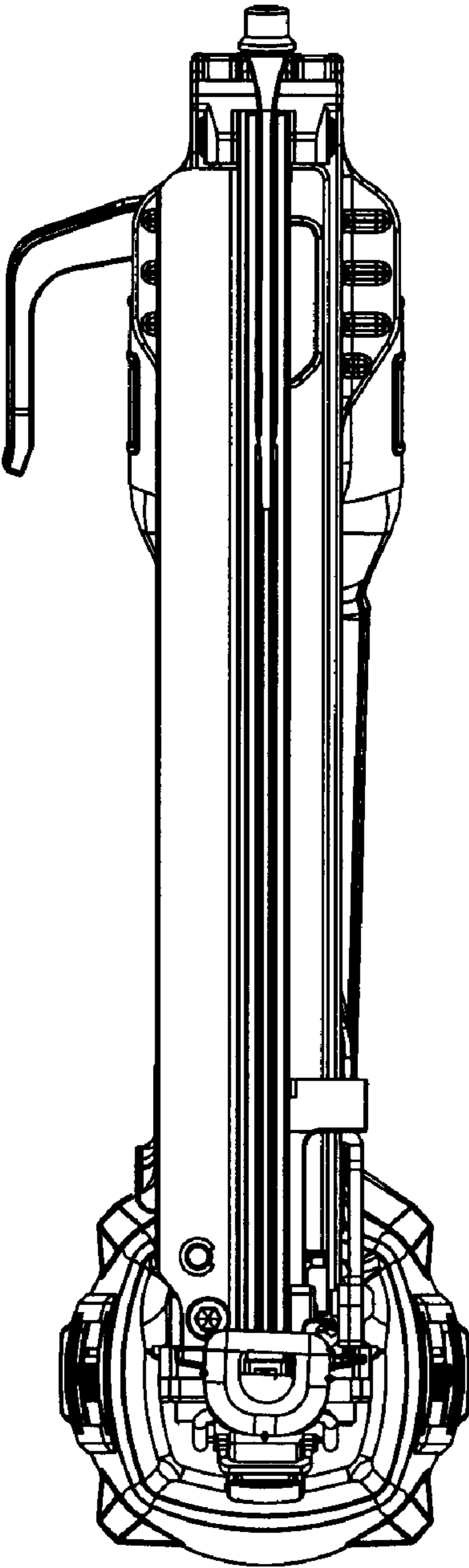


FIG. 7