



US00D512620S

(12) **United States Design Patent**
Thomas et al.

(10) **Patent No.:** US D512,620 S
(45) **Date of Patent:** ** Dec. 13, 2005

(54) **CLIPPED HEAD FRAMING NAILER**

(75) Inventors: **Benjamin J. Thomas**, Anderson, SC
(US); **Kenneth M. Brazell**, Piedmont,
SC (US)

(73) Assignee: **Eastway Fair Company Limited (VG)**

(**) Term: **14 Years**

(21) Appl. No.: **29/221,210**

(22) Filed: **Jan. 11, 2005**

(51) **LOC (6) Cl.** **08-05**

(52) **U.S. Cl.** **D8/69**

(58) **Field of Search** D8/14.1, 61, 62,
D8/63, 64, 65, 66, 67, 68, 69, 70; 81/57.11,
429, 464, 465, 466, 469, 489; 173/13, 169,
178, 213, 217; 227/8, 114, 120, 130, 136,
142; 310/50; 408/20, 124, 125, 234, 241 R;
451/358

(56) **References Cited**

U.S. PATENT DOCUMENTS

| | | | | | | |
|-----------|----|---|---------|-----------------|-------|---------|
| D338,606 | S | * | 8/1993 | Oda | | D8/69 |
| 5,816,469 | A | * | 10/1998 | Ohuchi | | 227/120 |
| 6,158,643 | A | * | 12/2000 | Phillips | | 227/130 |
| D435,770 | S | * | 1/2001 | Arai | | D8/68 |
| 6,199,739 | B1 | * | 3/2001 | Mukoyama et al. | | 227/8 |
| 6,494,355 | B2 | * | 12/2002 | Adachi et al. | | 227/120 |
| 6,502,737 | B2 | * | 1/2003 | Akiba | | 227/120 |
| D477,975 | S | * | 8/2003 | Lai | | D8/68 |
| D486,048 | S | * | 2/2004 | Hattori | | D8/68 |

| | | | | | | |
|--------------|----|---|---------|---------------|-------|---------|
| 6,726,080 | B2 | * | 4/2004 | Hamada | | 173/169 |
| D501,778 | S | * | 2/2005 | Liang | | D8/68 |
| 6,892,921 | B2 | * | 5/2005 | Beville | | 227/130 |
| 2001/0017311 | A1 | * | 8/2001 | Hamano et al. | | 227/120 |
| 2001/0030218 | A1 | * | 10/2001 | Adachi et al. | | 227/120 |
| 2005/0017045 | A1 | * | 1/2005 | Beville | | 227/2 |

FOREIGN PATENT DOCUMENTS

| | | | | |
|----|---------|---|---|--------|
| GB | 2080787 | S | * | 8/1998 |
| GB | 2103183 | S | * | 2/2001 |
| GB | 3006207 | S | * | 8/2002 |

* cited by examiner

Primary Examiner—Gary D. Watson
Assistant Examiner—T. Chase Nelson

(74) *Attorney, Agent, or Firm*—Brinks Hofer Gilson & Lione

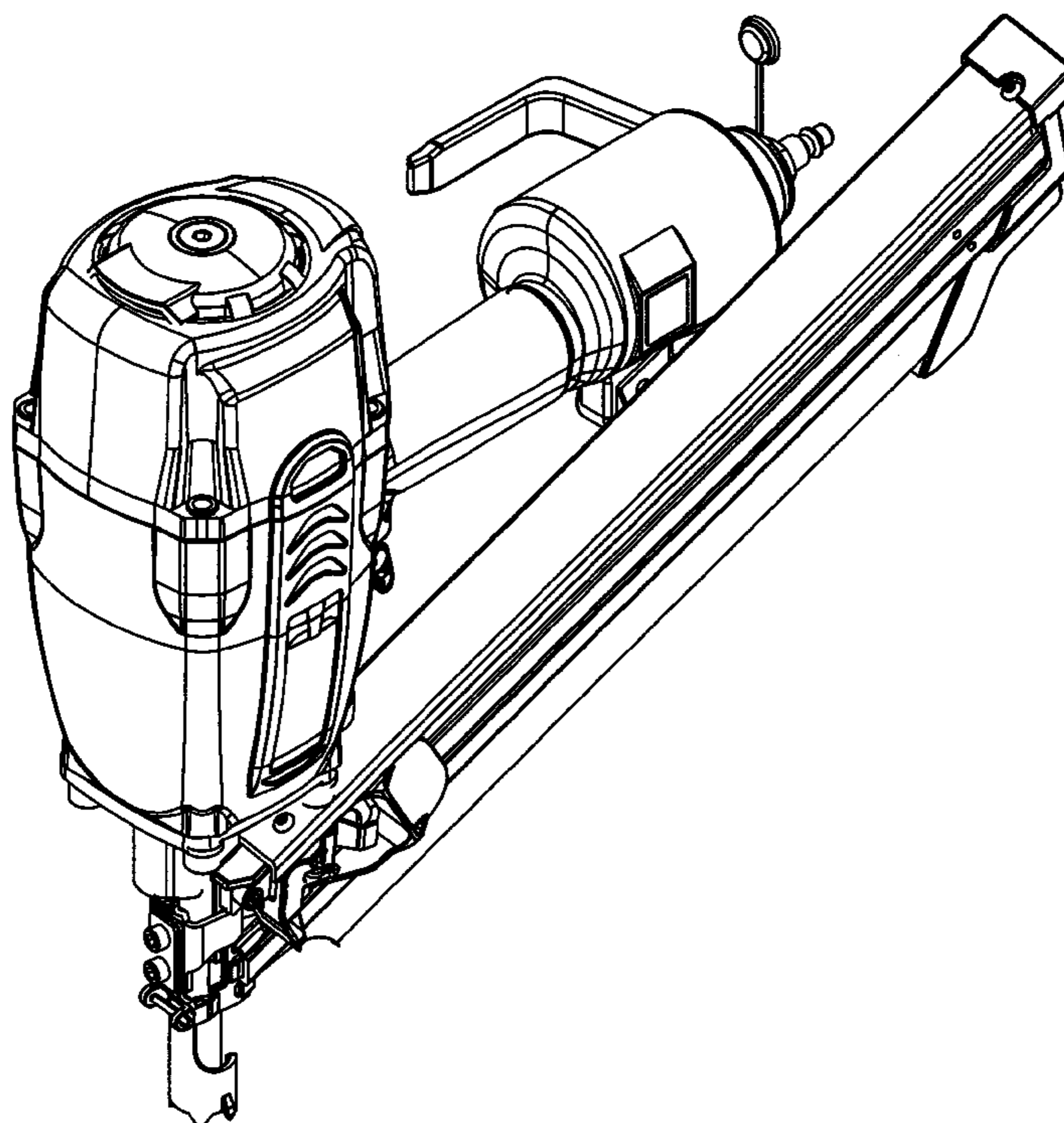
(57) **CLAIM**

We claim the ornamental design for a clipped head framing nailer, as shown and described.

DESCRIPTION

FIG. 1 is a top perspective view of a clipped head framing nailer of the present invention;
FIG. 2 is a first side view thereof;
FIG. 3 is a second side view thereof;
FIG. 4 is a top view thereof;
FIG. 5 is a bottom view thereof;
FIG. 6 is a rear view thereof; and,
FIG. 7 is a front view thereof.

1 Claim, 6 Drawing Sheets



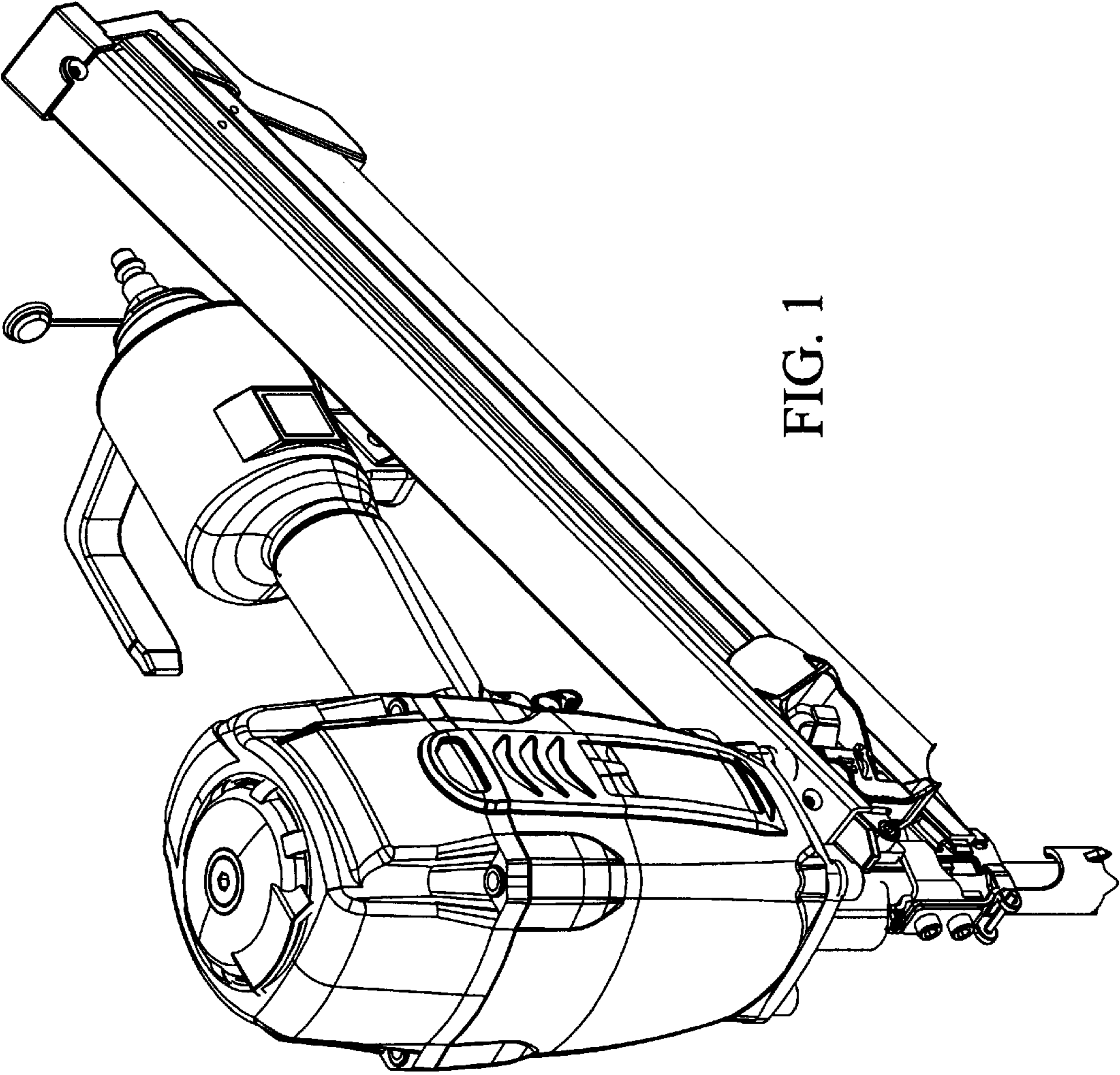


FIG. 1

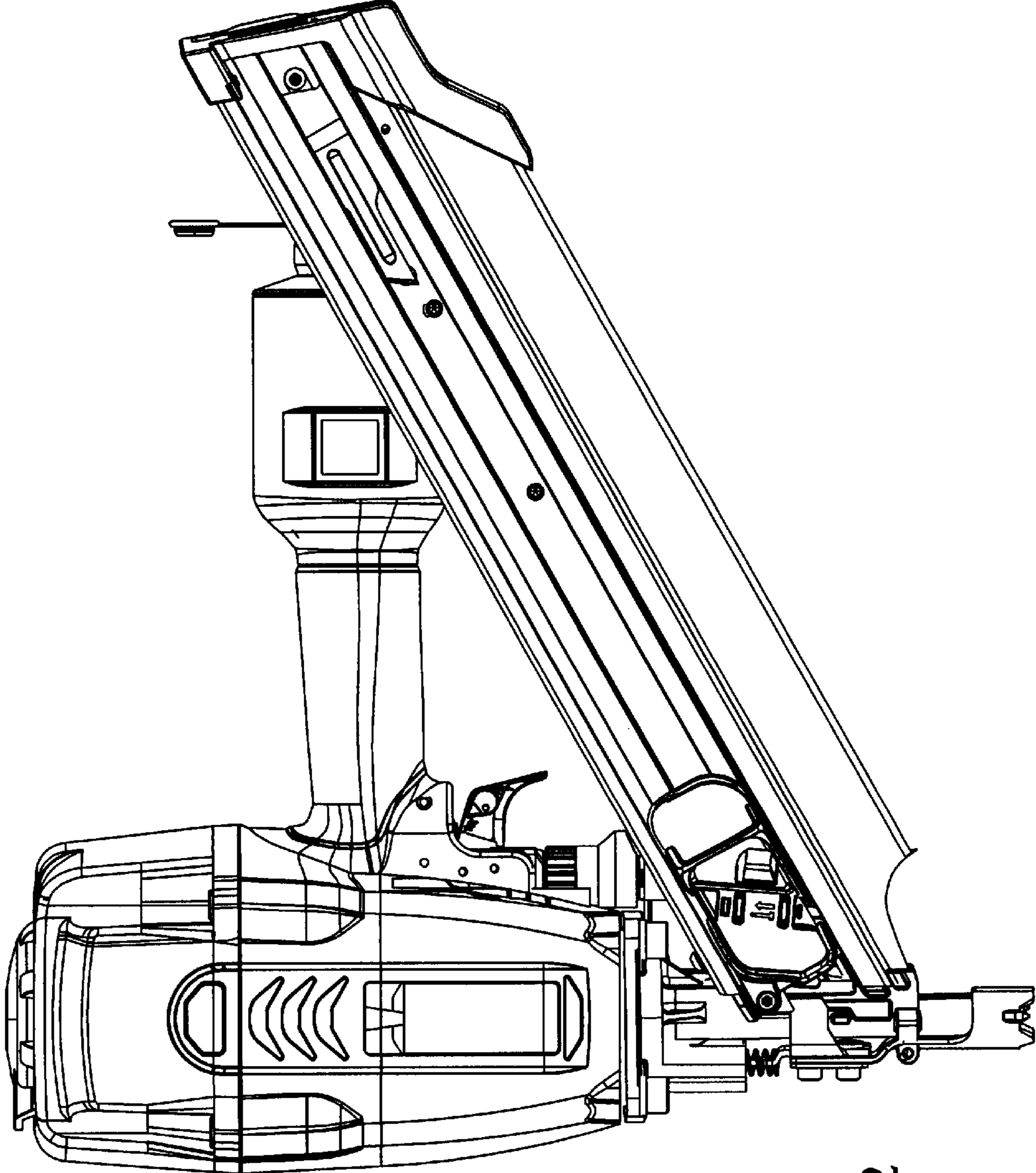


FIG. 2

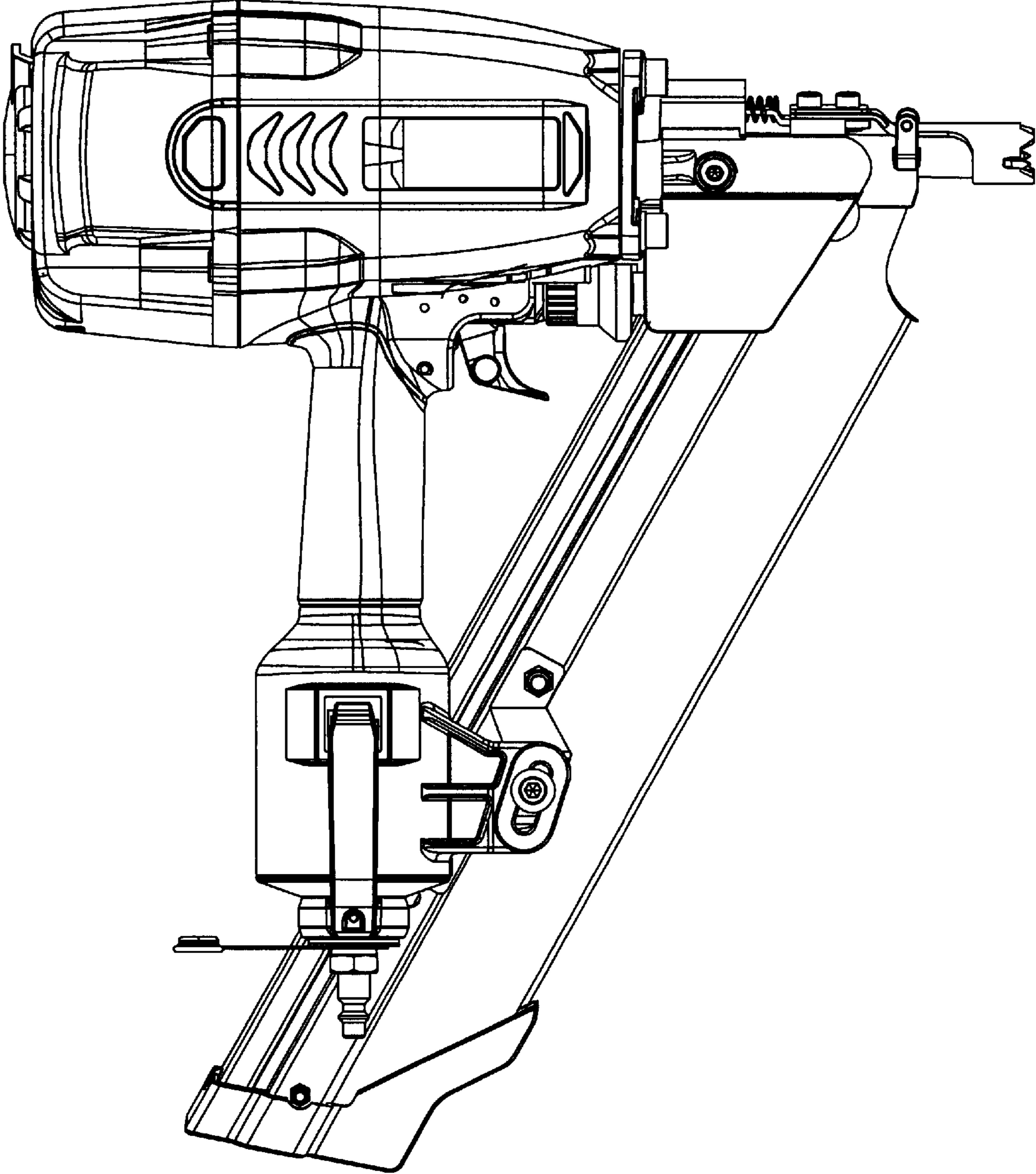


FIG. 3

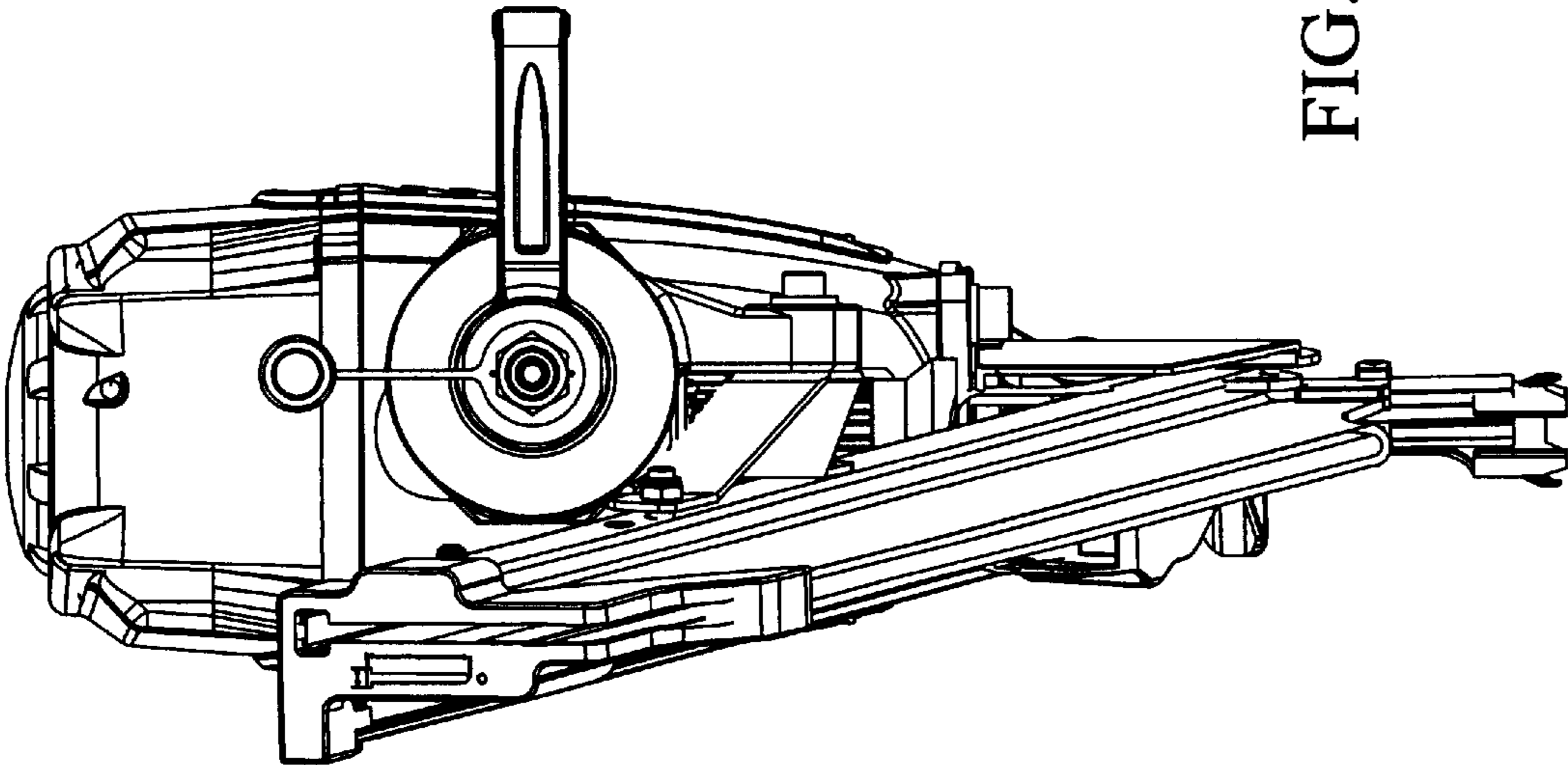


FIG. 5

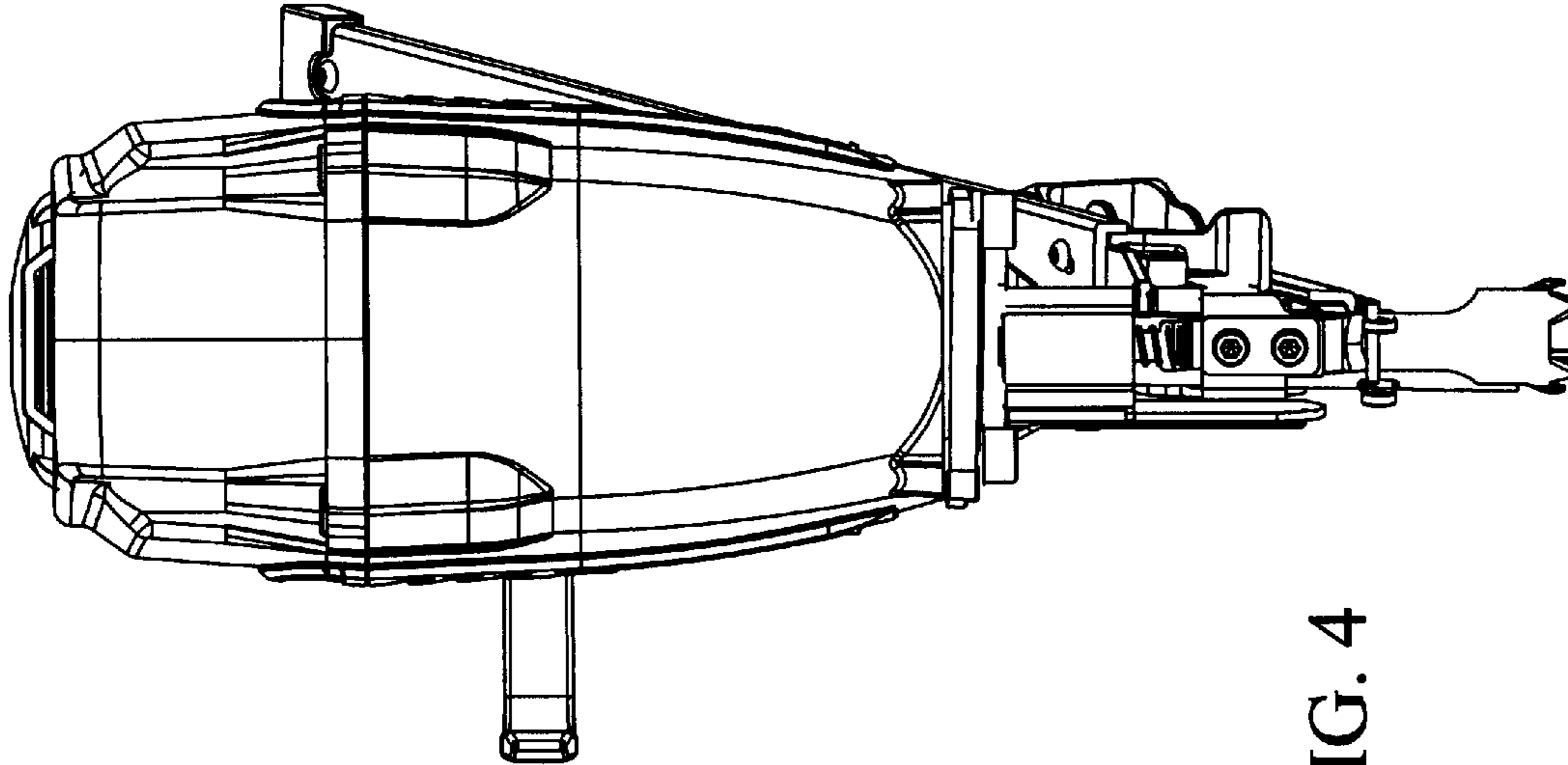


FIG. 4

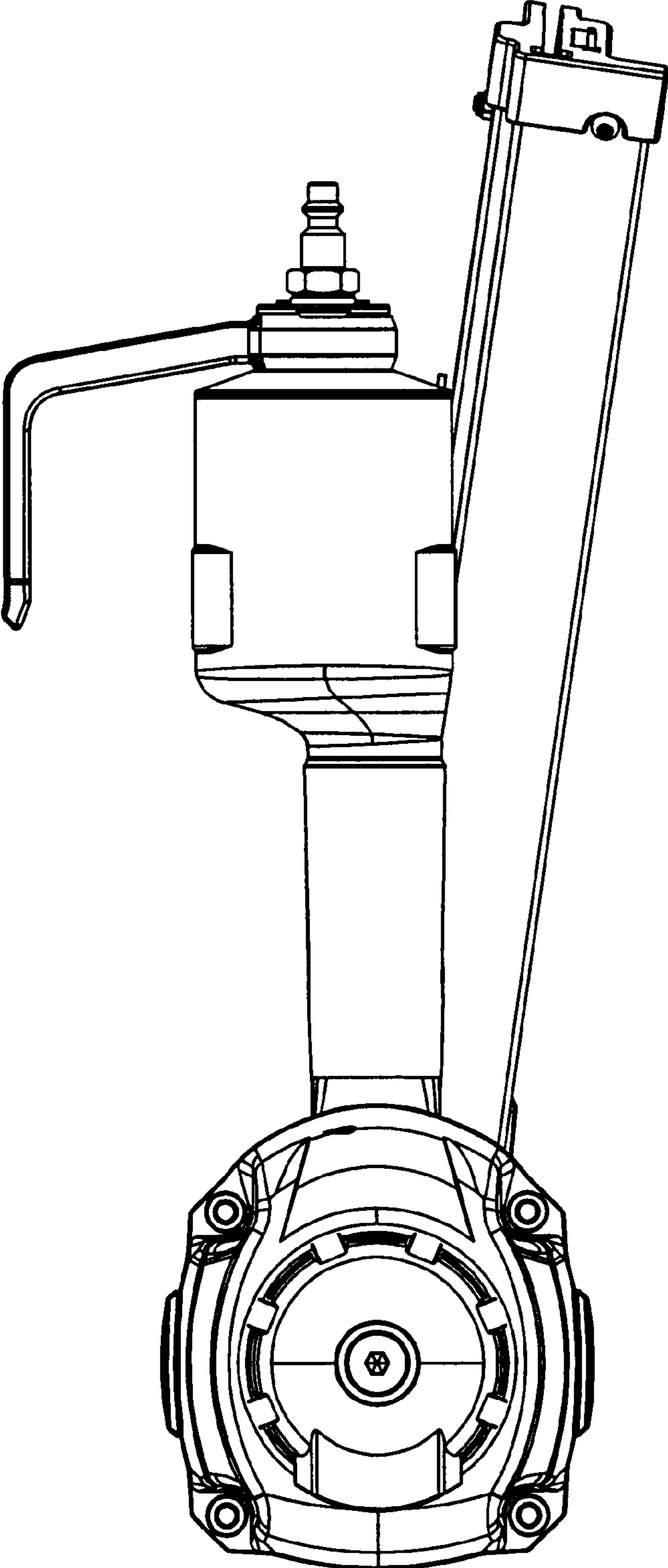


FIG. 6

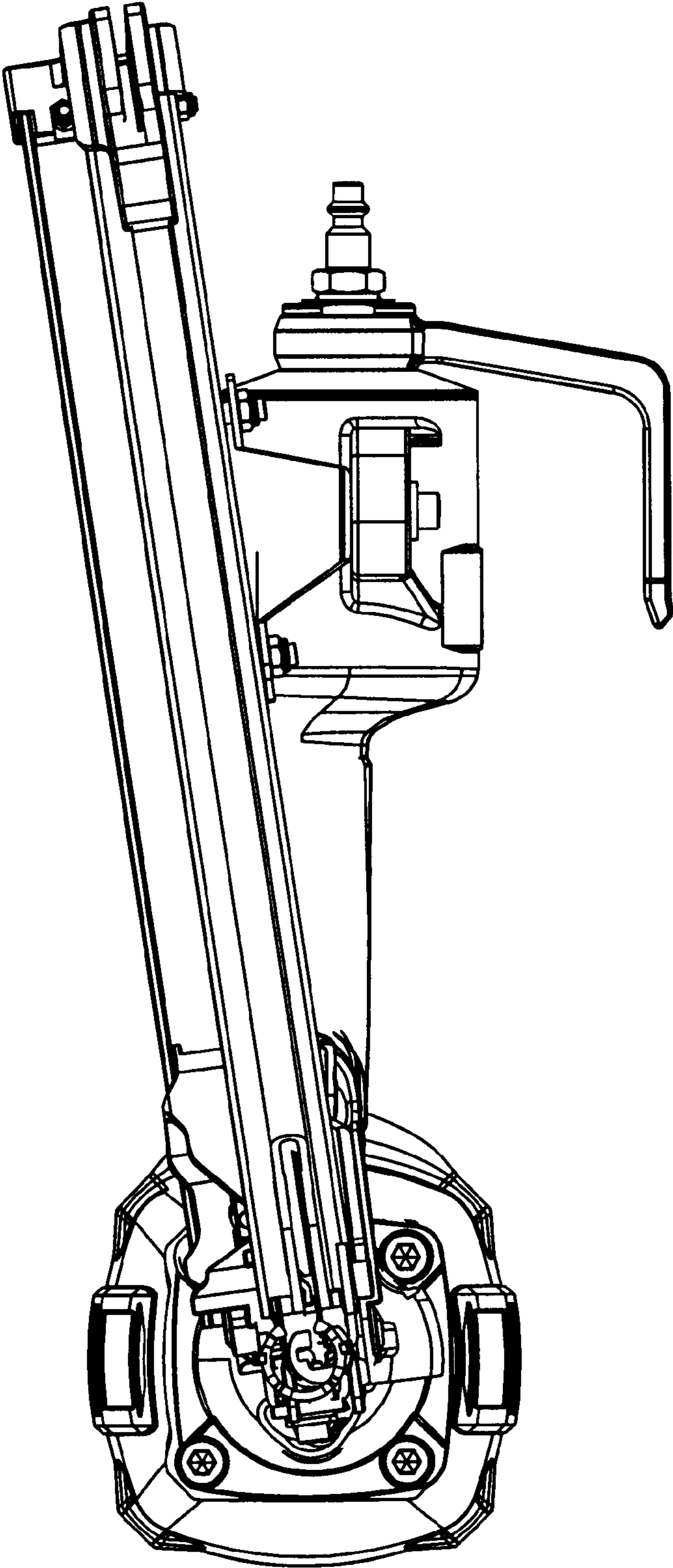


FIG. 7