



US00D512619S

(12) **United States Design Patent**
Aglassinger

(10) **Patent No.:** **US D512,619 S**

(45) **Date of Patent:** **** Dec. 13, 2005**

(54) **PLANER**

(75) **Inventor:** **Hans-Peter Aglassinger**, Esslingen
(DE)

(73) **Assignee:** **Robert Bosch GmbH**, Stuttgart (DE)

(**) **Term:** **14 Years**

(21) **Appl. No.:** **29/207,427**

(22) **Filed:** **Jun. 14, 2004**

(30) **Foreign Application Priority Data**

Feb. 18, 2004 (DE) 4 04 01 047

(51) **LOC (6) Cl.** **08-01**

(52) **U.S. Cl.** **D8/62**

(58) **Field of Search** D8/61, 62, 67,
D8/70; 30/475, 476, 477; 81/54, 474; 144/114.1,
117.4, 154.5; 173/170, 171, 217; 310/50;
451/344, 351, 353, 354, 355, 356, 357,
358, 359, 451, 456

(56) **References Cited**

U.S. PATENT DOCUMENTS

D282,236 S * 1/1986 Shohoji et al. D8/61
D323,098 S * 1/1992 Sakamoto et al. D8/62

5,094,000 A * 3/1992 Becht et al. 30/475
5,815,934 A * 10/1998 Eichberger et al. 30/475
D413,779 S * 9/1999 Hayakawa et al. D8/62
D475,594 S * 6/2003 Bian D8/62
6,688,349 B2 * 2/2004 Roshilavati Razlan
et al. 114/154.5
D497,298 S * 10/2004 Tillman et al. D8/62

* cited by examiner

Primary Examiner—Jeffrey Asch

Assistant Examiner—Elizabeth Albert

(74) *Attorney, Agent, or Firm*—Michael J. Striker

(57) **CLAIM**

The ornamental design for a planer, as shown and described.

DESCRIPTION

FIG. 1 is perspective view of a planer showing my new design;

FIG. 2 is a enlarged front view thereof;

FIG. 3 is a enlarged rear view thereof;

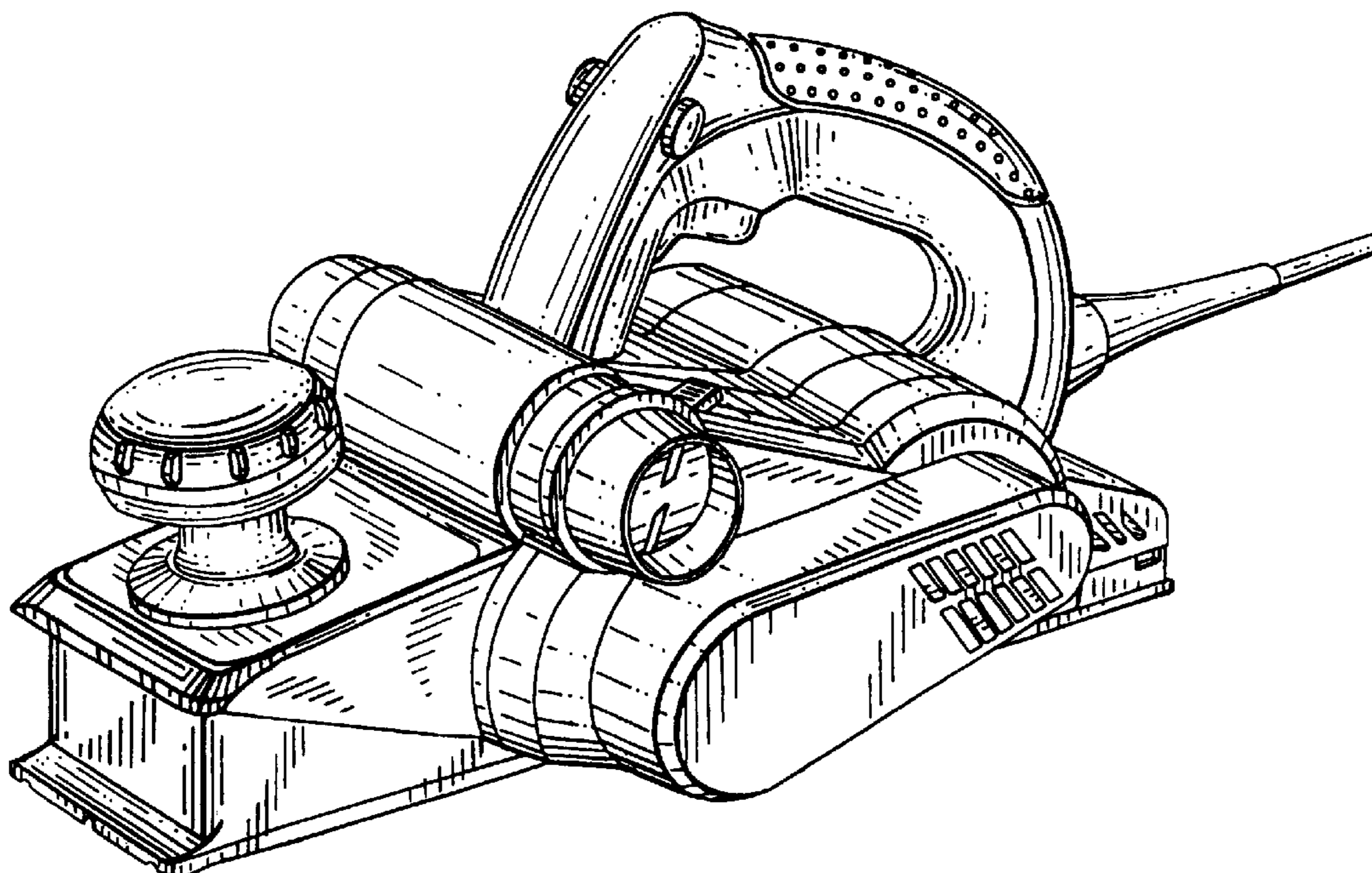
FIG. 4 is a top view thereof;

FIG. 5 is a bottom view thereof;

FIG. 6 is a side view thereof; and,

FIG. 7 is the opposite side view of FIG. 6.

1 Claim, 7 Drawing Sheets



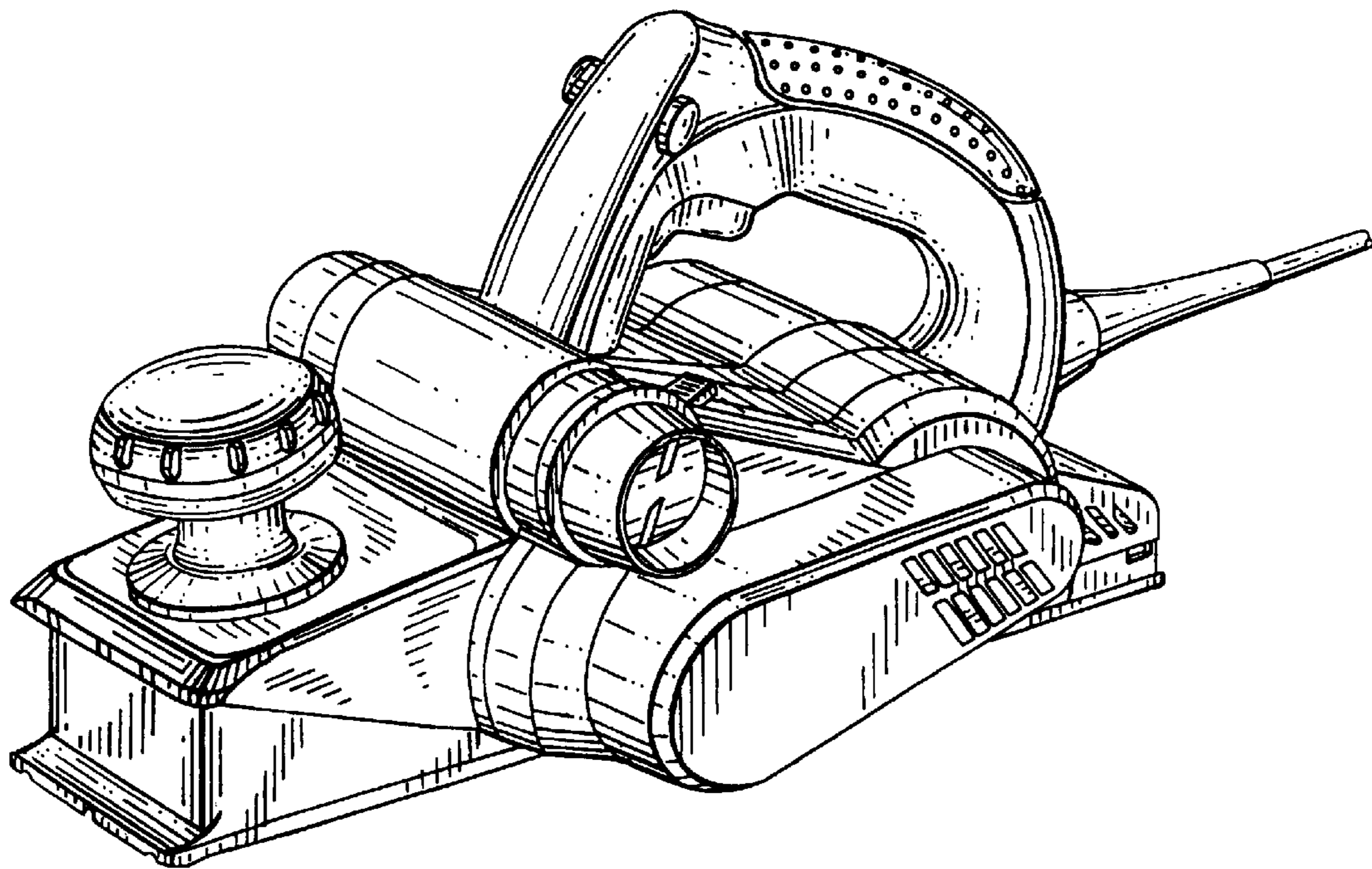


FIG. 1

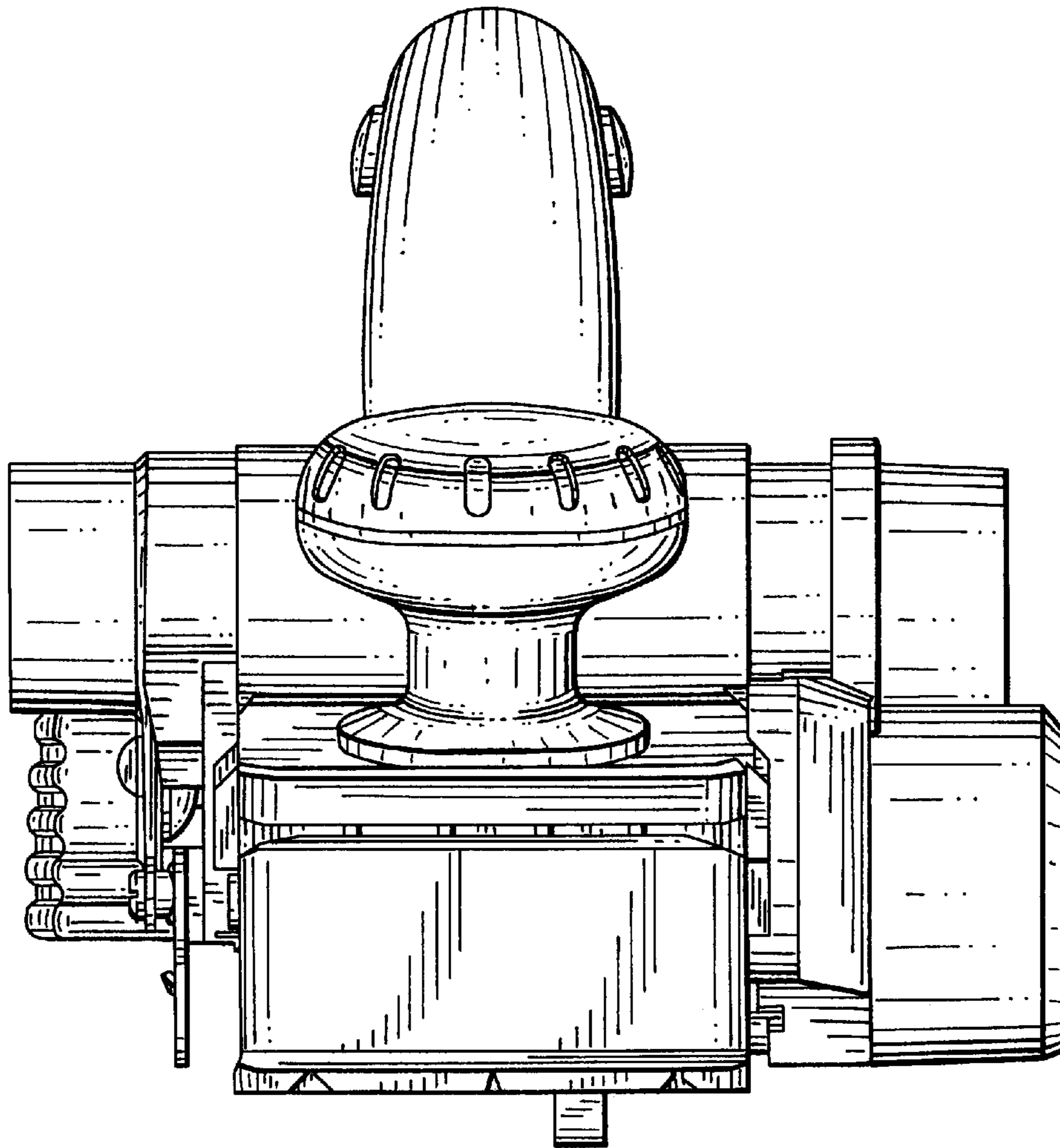


FIG. 2

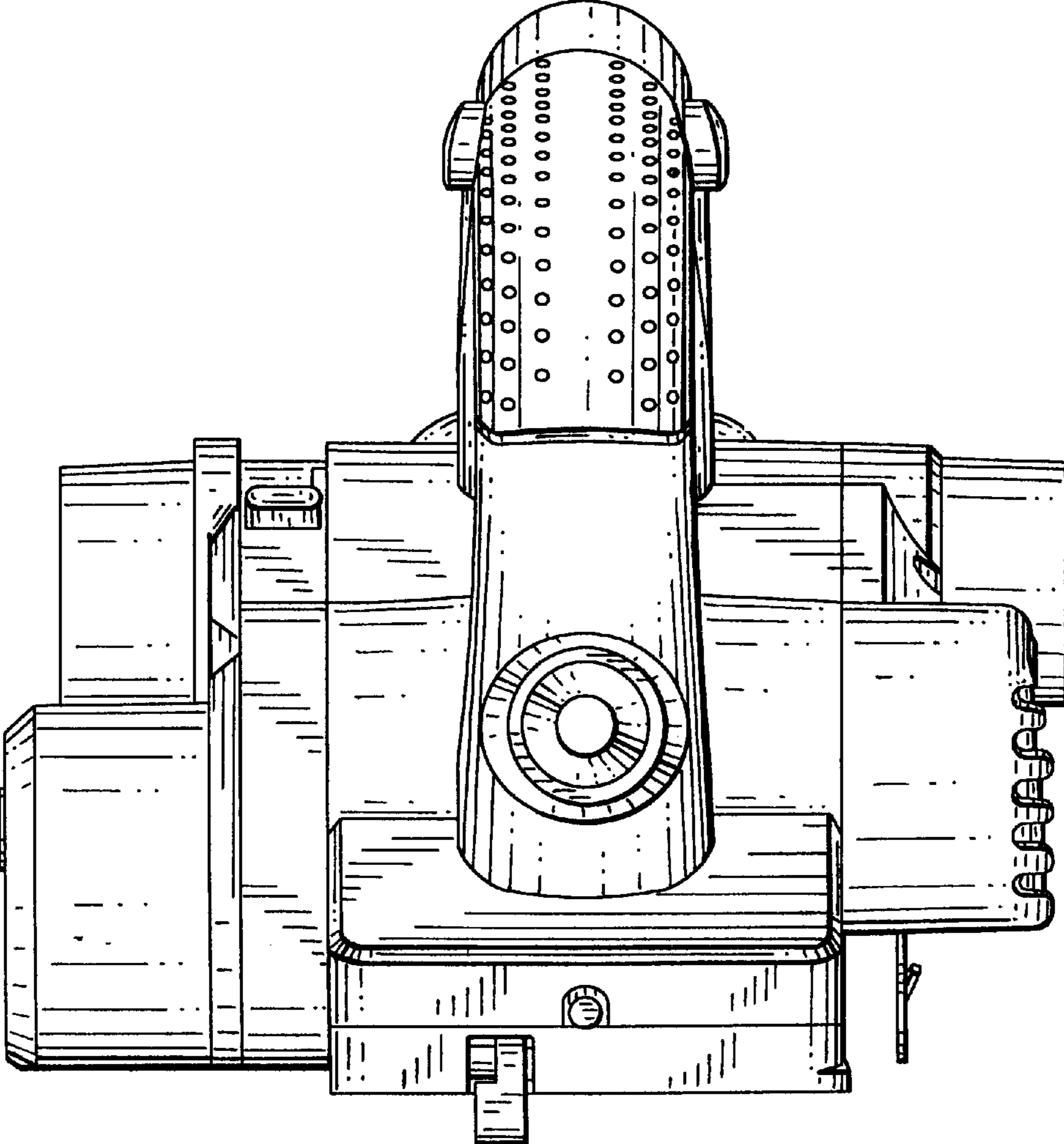


FIG. 3

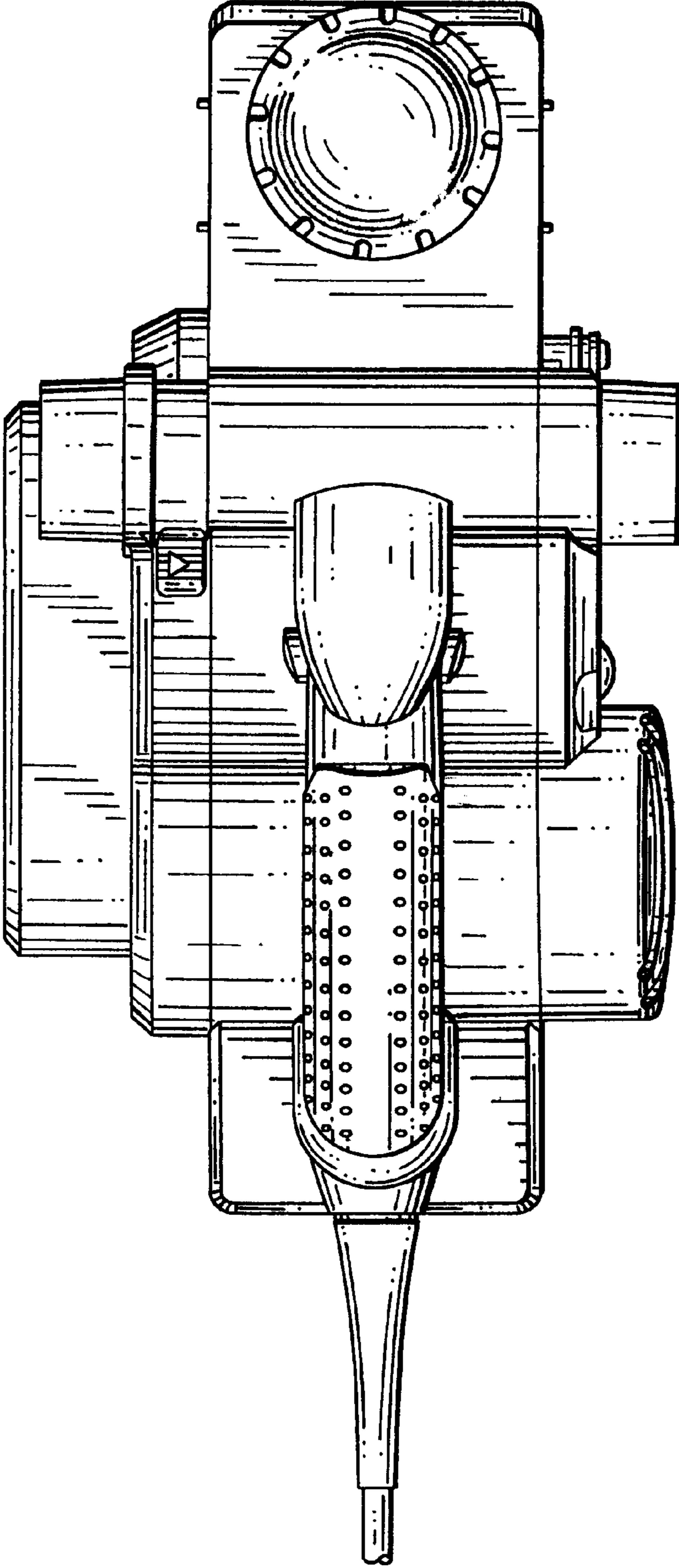


FIG. 4

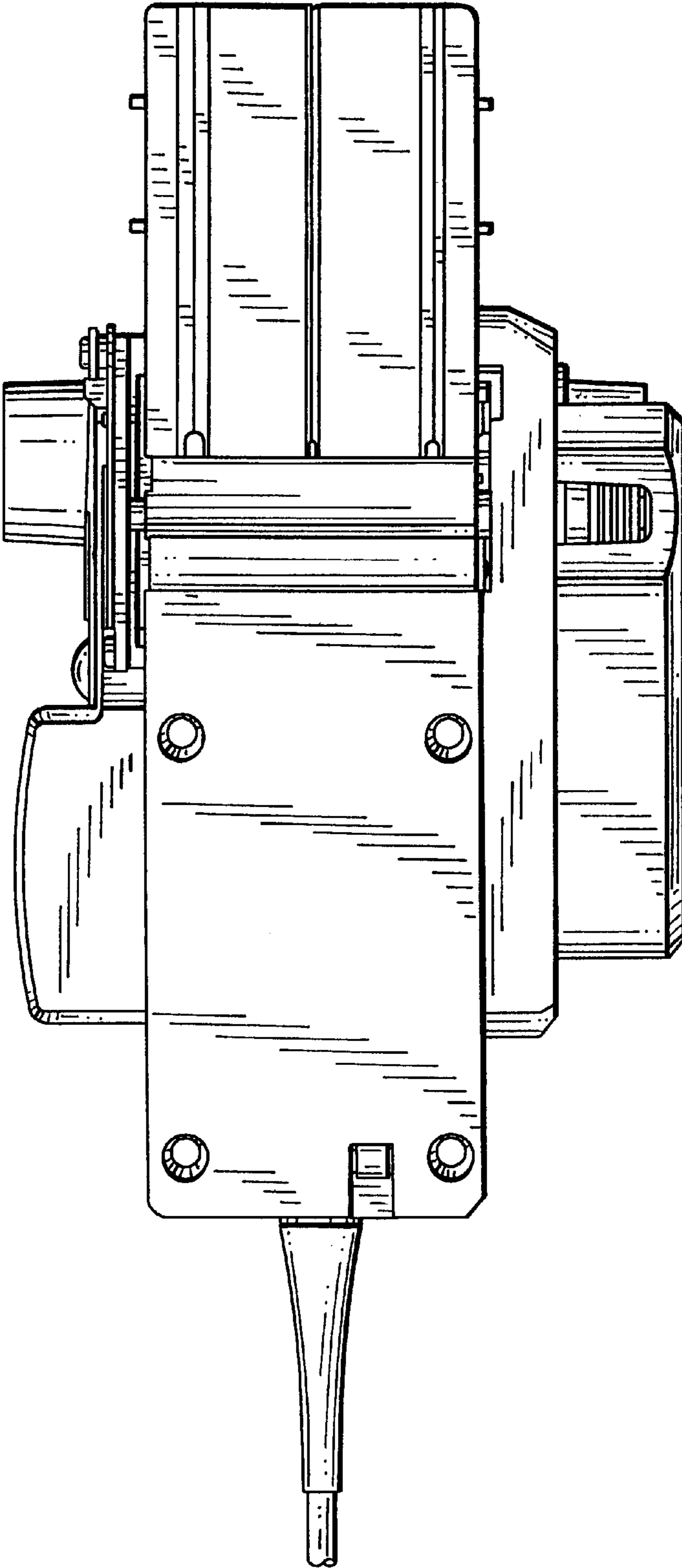


FIG. 5

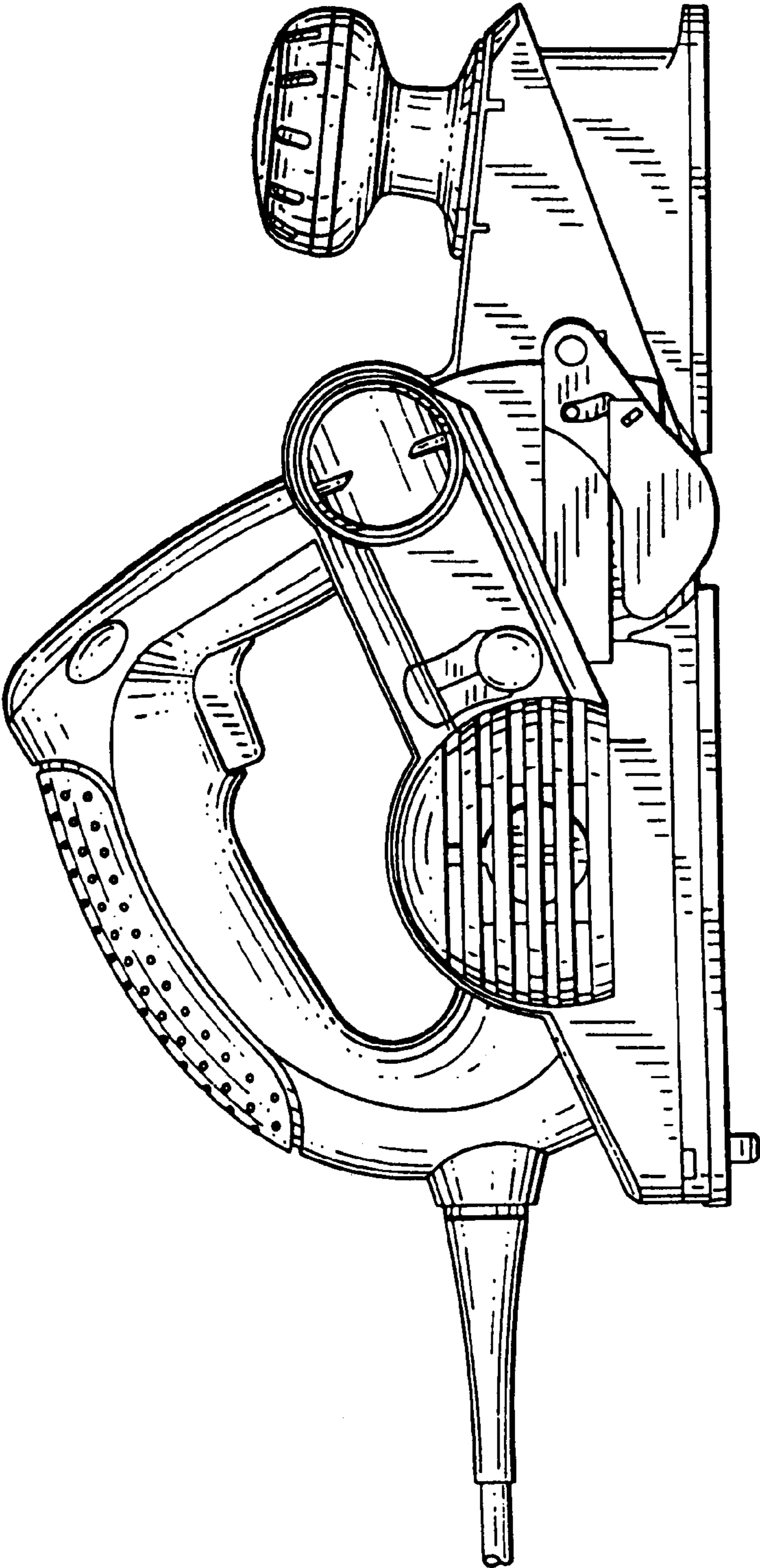


FIG. 6

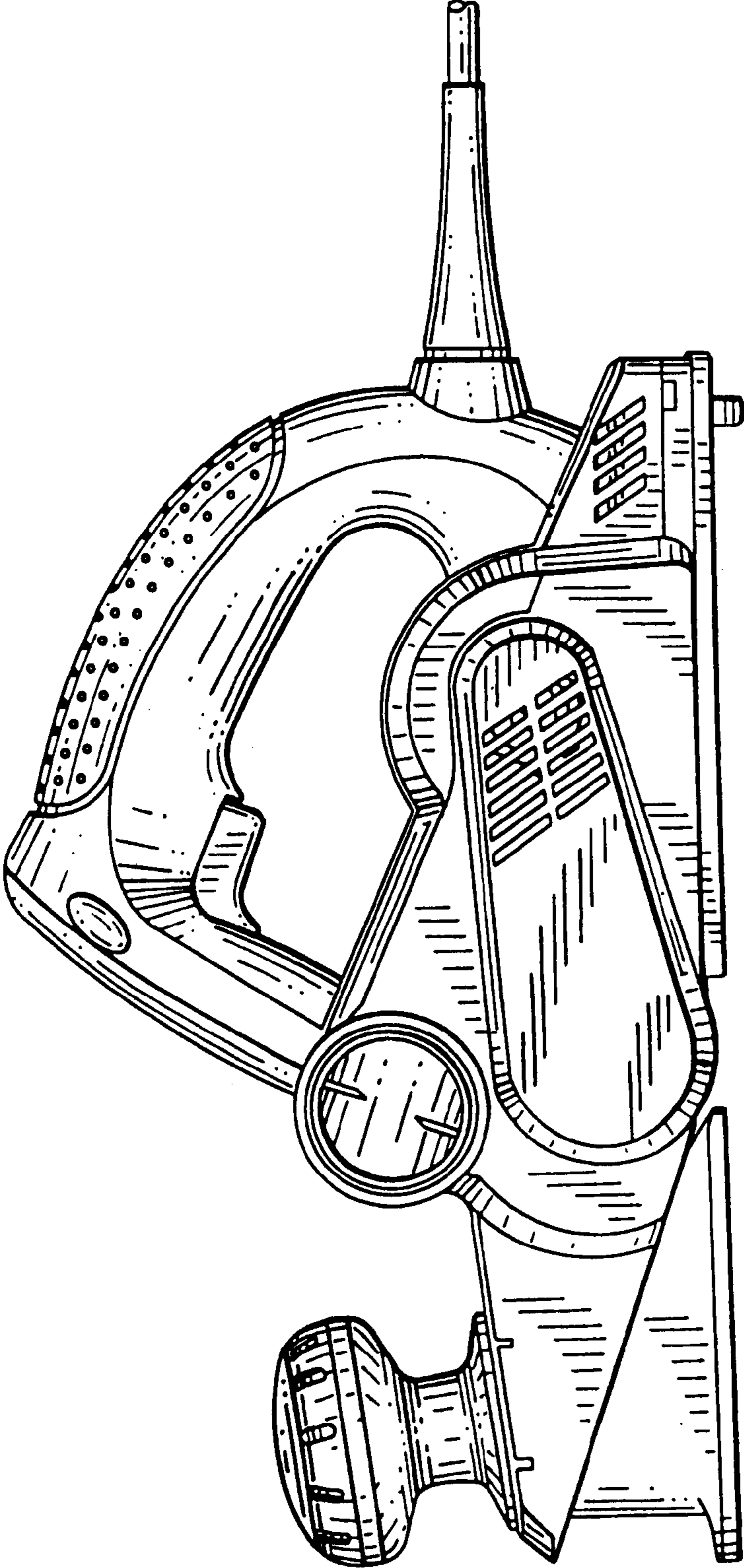


FIG. 7